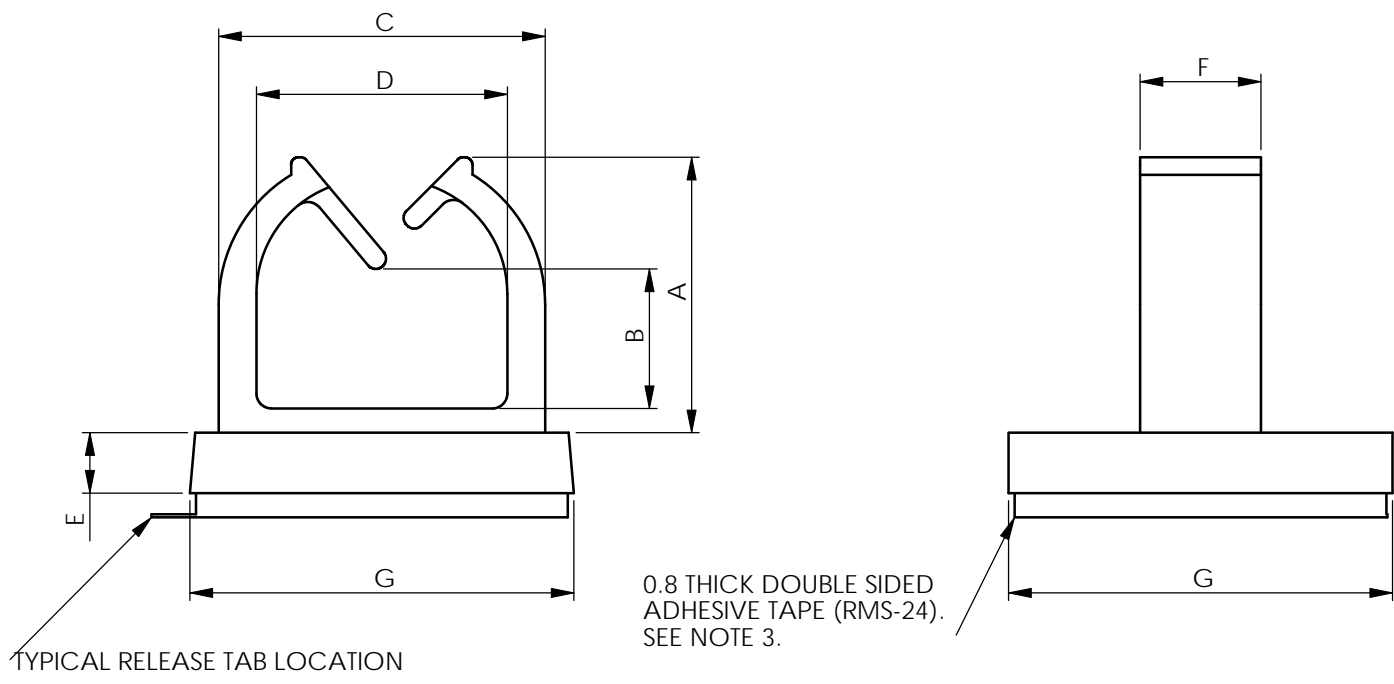


A B C D E F

REV.	MODIFICATION.	DATE	DRN
A	NEW DRAWING	23/03/95	RMB
B	SCN95-030	21/07/95	PTG
C	SCN96-022	12/04/96	RMB
D	SCN03-031	06/02/03	NJB
05	ECR05-064	18/05/05	OW
06	ECR05-085	09/08/05	OW
07	ECN07-029	08/02/07	SF
08	ECN07-109	02/07/07	SF
09	CO2010267	07/07/08	SF
10	CO2010945	22/06/10	SF



0.8 THICK DOUBLE SIDED ADHESIVE TAPE (RMS-24). SEE NOTE 3.

NOTES

- 1a) METRIC PRIMARY UNITS:mm
- 1b) IMPERIAL SECONDARY UNITS: [inches]
- 2) MIS-MATCH TOLERANCE ± 0.04 FOR BASE ASSEMBLY REQUIREMENTS
- 3) PARTS AVAILABLE IN HIGH BOND CONVERTEX 2110 TAPE BY SPECIAL ORDER, ADD 2110 TO THE END OF THE PART DESCRIPTION, E.G MWSEB-3-01A-RT 2110.
- 4) MWSEB-5-19A-RT CUSTOMER REF: TMM8E18052.
- 5) PARTS ARE NATURAL AS STANDARD BUT ARE ALSO AVAILABLE IN BLACK. ADD BK TO END OF THE PART DESCRIPTION, E.G. MWSEB-5-01A-RT-BK.
- 6) THE COLOUR OF THE ADHESIVE LINER MAY VARY. THIS THIS WILL NOT AFFECT THE TECHNICAL PROPERTIES OF THE PART.

ALTERNATE UNITS FOR REFERENCE ONLY

PART NUMBER		"A" REF	"B" REF	"C"	"D"	"E"	"F"	"G"
NYLON 6/6(RMS-01)	NYLON 6/6 FR(RMS-19)							
MWSEB-1-01A2-RT	MWSEB-1-19A2-RT	4.1[.16]	1.0[.04]	7.1[.28]	4.6[.18]	1.5[.06]	2.0[.08]	9.5[.37]
MWSEB-2-01A2-RT	MWSEB-2-19A2-RT	6.1[.24]	2.8[.11]					
MWSEB-3-01A2-RT	MWSEB-3-19A2-RT	7.4[.29]	3.0[.12]	9.1[.36]	6.4[.25]	2.0[.08]	4.1[.16]	12.7[.50]
MWSEB-4-01A2-RT	MWSEB-4-19A2-RT	9.1[.36]	4.1[.16]	10.7[.42]	7.9[.31]			
MWSEB-5-01A2-RT	MWSEB-5-19A2-RT	11.2[.44]	6.1[.24]	11.9[.47]	8.9[.35]			
MWSEB-6-01A2-RT	MWSEB-6-19A2-RT	13[.51]	7.6[.30]					

INFORMATION CONTAINED IN THIS DOCUMENT IS CONFIDENTIAL TO RICHCO INTERNATIONAL Co. Ltd. AND MAY NOT BE DISCLOSED OR REPRODUCED IN WHOLE OR PART WITHOUT THEIR WRITTEN CONSENT.

RICHCO, INC.
WWW.RICHCO-INC.COM

GENERAL TOLERANCES ±0.25 [0.010]
UNLESS OTHERWISE STATED
1 DECIMAL PLACE ±
2 DECIMAL PLACES ±
ANGULAR ±1°

THIRD ANGLE

MATERIAL: SEE TABLE		COLOUR: SEE NOTE 5	
DESCRIPTION: SEE TABLE		PART No: SEE TABLE	
DRG No: 05-055	NPR No: N/A	SHEET SIZE A4	
DRN OW	DATE 18/05/05	CHKD NBr	DATE 18/05/05
SCALE NTS		SHEET No. 1 OF 1	

X-ON Electronics

Largest Supplier of Electrical and Electronic Components

Click to view similar products for [Cable Mounting & Accessories](#) category:

Click to view products by [Richco](#) manufacturer:

Other Similar products are found below :

[HP-4N](#) [582603-1](#) [009333-000](#) [727844N003](#) [809090N001](#) [8109](#) [843188-000](#) [843459N001](#) [843460N003](#) [8666](#) [967279N002](#) [GPQC1/0](#) [DB-11](#) [1300830208](#) [1300840039](#) [1300900026](#) [1300990052](#) [1301740005](#) [1301800121](#) [1301800416](#) [1300830184](#) [1300990149](#) [1301580036](#) [1301720103](#) [1301720135](#) [1301720152](#) [1301720157](#) [1301740009](#) [1301770011](#) [1301850553](#) [1301860939](#) [1302000074](#) [1302264431](#) [1337706-2](#) [APA18-AK](#) [MTX6UTPSRC-C](#) [1-787307-1](#) [185491N001](#) [HP-6N](#) [C-202-C](#) [202C221-13-0](#) [OMTM-S10-C0](#) [205339-4](#) [CA7308-000](#) [8S23-75FR-CS8184](#) [2684](#) [9648](#) [3089](#) [988382-000](#) [A0270164](#)