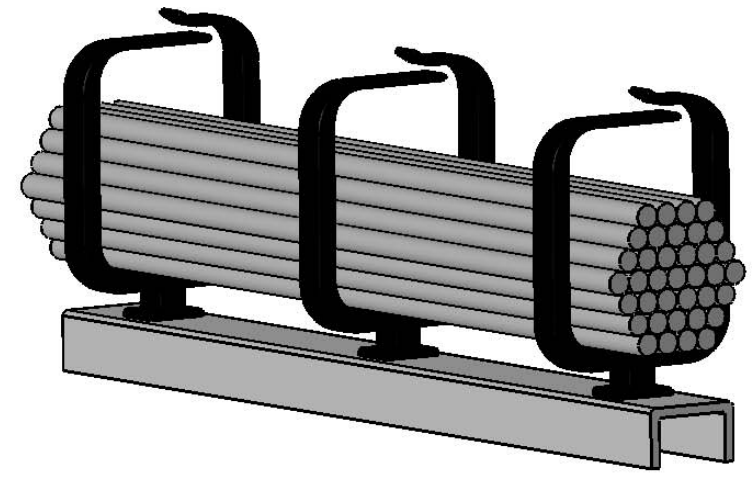
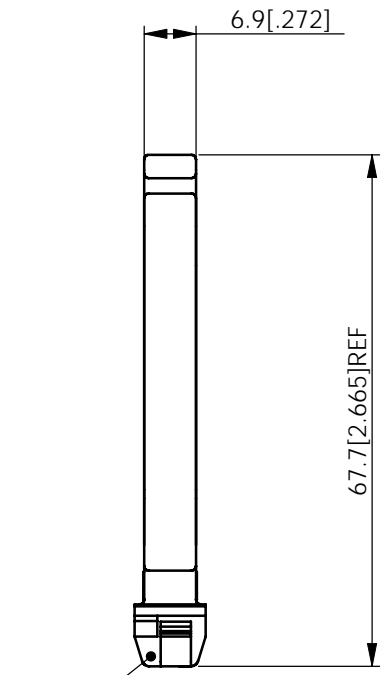
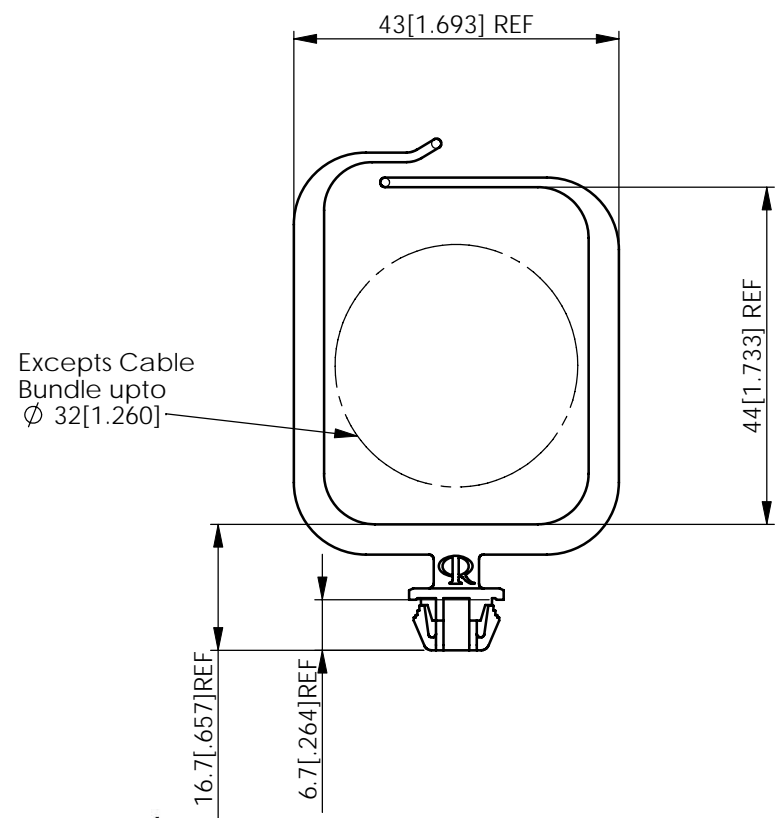
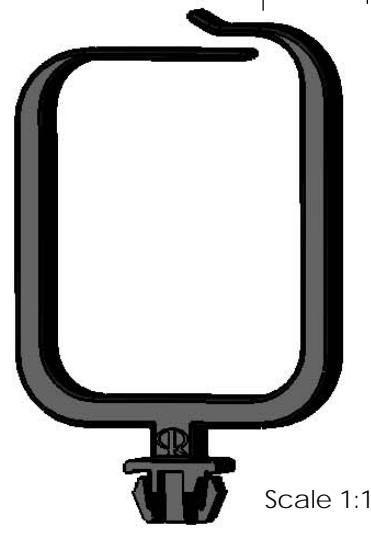


REV.	MODIFICATION.	DATE	DRN
01	Production Release	09/09/08	PH
02	CO 2010394	17/09/08	PH
03	CO 2010419	01/10/08	SF
04	CO 2010480	17/11/08	PH
05	CO 2010485	19/11/08	PH



Snap Lock into a 9.5 [1.374] Square Hole  
Panel Thickness -0.8 to 2.0mm [.032 to .079]



PART NUMBER	MATERIAL	COLOUR
OFNS-28-S9.5M-01	NYLON 6/6 - RMS-01	NATURAL
OFNS-28-S9.5M-19	NYLON 6/6V0 - RMS-19	

\*Available by Special Order in Black - Add BK to End of Part Number to Order

INFORMATION CONTAINED IN THIS DOCUMENT IS CONFIDENTIAL TO RICHCO INTERNATIONAL Co. Ltd. AND MAY NOT BE DISCLOSED OR REPRODUCED IN WHOLE OR PART WITHOUT THEIR WRITTEN CONSENT.

		ALL DIMENSIONS IN mm GENERAL TOLERANCES ±0.25 UNLESS OTHERWISE STATED 1 DECIMAL PLACE ±0.25 2 DECIMAL PLACES ±0.10 ANGULAR ±1°		THIRD ANGLE 	
		MATERIAL: SEE TABLE			COLOUR: SEE TABLE
DESCRIPTION: OPTICAL FIBER NETWORK SADDLE 10mm OFF STAND			PART No: SEE TABLE		
DRG No: 08-087		NPR No: FN08-0004		Mass:(g) 5.2	SHEET SIZE A4
DRN PH	DATE 14/05/08	CHKD TC	DATE 30/05/08	SCALE NTS	SHEET No. 1 OF 1

## X-ON Electronics

Largest Supplier of Electrical and Electronic Components

*Click to view similar products for [Cable Mounting & Accessories](#) category:*

*Click to view products by [Richco](#) manufacturer:*

Other Similar products are found below :

[HP-4N](#) [582603-1](#) [009333-000](#) [727844N003](#) [809090N001](#) [8109](#) [843188-000](#) [843459N001](#) [843460N003](#) [8666](#) [967279N002](#) [GPQC1/0](#) [DB-](#)  
[11](#) [1300830208](#) [1300840039](#) [1300900026](#) [1300990052](#) [1301740005](#) [1301800121](#) [1301800416](#) [1300830184](#) [1300990149](#) [1301580036](#)  
[1301720103](#) [1301720135](#) [1301720152](#) [1301720157](#) [1301740009](#) [1301770011](#) [1301850553](#) [1301860939](#) [1302000074](#) [1302264431](#)  
[1337706-2](#) [APA18-AK](#) [MTX6UTPSRC-C](#) [1-787307-1](#) [185491N001](#) [HP-6N](#) [C-202-C](#) [202C221-13-0](#) [OMTM-S10-C0](#) [205339-4](#) [CA7308-](#)  
[000](#) [8S23-75FR-CS8184](#) [2684](#) [9648](#) [3089](#) [988382-000](#) [A0270164](#)