



POF-40022



POF-40048



POF-40059

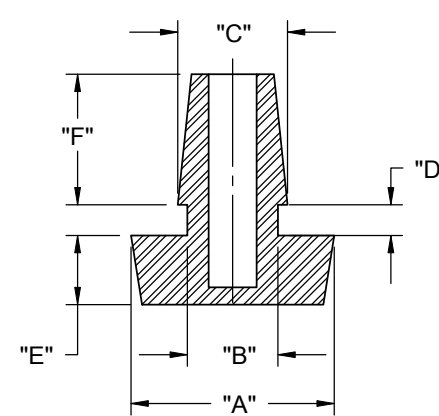
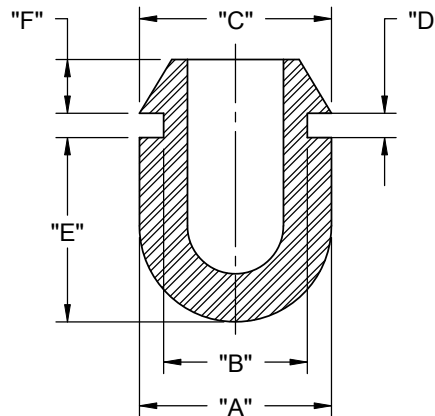
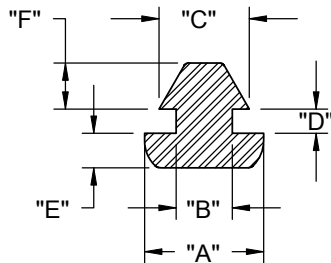
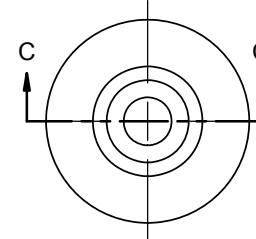
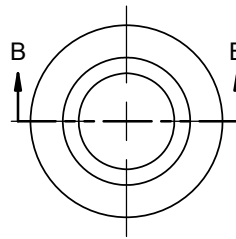
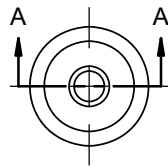


POF-50185



POF-12664

PART NO.	RECOMMENDED MOUNTING HOLE	RECOMMENDED PANEL THICKNESS	"A" DIA.	"B" DIA.	"C" DIA.	"D"	"E"	"F" REF	STYLE NO.
POF-40022	.146-.150 [3.7-3.8]	.126 [3.2]	.31 [7.9]	.126 [3.2]	.17 [4.4]	.13 [3.3]	.06 [1.5]	.14 [4.1]	1
POF-40048	.177-.181 [4.5-4.6]	.059 [1.5]	.31 [7.9]	.146 [3.7]	.24 [6.1]	.06 [1.6]	.09 [2.3]	.12 [3]	1
POF-40059	.374-.378 [9.5-9.6]		.50 [12.7]	.374 [9.5]	.50 [12.7]		.48 [12.2]	.14 [3.6]	2
POF-50185	.236-.240 [6-6.1]	.075 [1.9]	.53 [13.4]	.236 [6]	.29 [7.3]	.08 [2]	.18 [4.6]	.34 [8.6]	3
POF-12664	.276-.280 [7-7.1]	.047 [1.2]	.62 [15.7]	.276 [7]	.34 [8.6]	.05 [1.3]	.20 [5.1]	.16 [4.1]	3



STYLE 1

STYLE 2

STYLE 3

NOTES:

1. MATERIAL: THERMOPLASTIC ELASTOMER, UL 94 HB (RMS-262)
2. COLOR: BLACK
3. ALTERNATE UNITS FOR REFERENCE ONLY

REV.			DESCRIPTION			ENGR. DATE			TITLE: PUSH ON FEET			DWG IN IN [MM]		FINAL		PRINT TYPE		
J	SEE CO #200182 FOR CHANGES		SK	05/15/08		TOLERANCES UNLESS NOTED .XX=±.010 .XXX=±.005 FRAC.=±1/64 ANG.=±1°			FILE #: POF	SHEET: 1 OF 1		SHEET SIZE: A		DWN: SK	APP: R.T.		PART #	
I	SEE CO #200012 FOR CHANGES		SK	09/14/07		RE: RICHCO, INC.			DT: 11/06/06		CHKD: S.J.		RICHCO, INC.		ENG@RICHCO-INC.COM		SEE TABLE	
-	SEE ENGINEERING FOR REV A-H		---	----		RICHCO, INC.			(773) 539-4060						CA			

X-ON Electronics

Largest Supplier of Electrical and Electronic Components

Click to view similar products for [Mounting Fixings](#) category:

Click to view products by [Richco](#) manufacturer:

Other Similar products are found below :

[007310](#) [007541](#) [6-141-P](#) [620HA038NF09](#) [620HA038NF11](#) [71-074914-006](#) [71-146610-6H](#) [712HA170B23128-N](#) [71-441549-19S](#) [71-490451-4H](#) [75-69211-3P](#) [75-69224-5S](#) [770-006A109](#) [770-006A109R](#) [770-006A207](#) [770-006A208W1](#) [770-006A209](#) [770-006A306](#) [770-006A703W1](#) [770-006A704](#) [770-006A704W1](#) [770-006A705](#) [770-006A706](#) [770-006A706W1](#) [770-006A707](#) [770-006A709](#) [770-007A203](#) [770-007A203W1](#) [770-007A204W1](#) [770-007A207W1](#) [770-007A703](#) [770-007A704W1](#) [770-007A706](#) [770-007A707W1](#) [770-010Y208](#) [770-010Y308](#) [770-010Y705](#) [770-010Y706](#) [770-010Y707W1](#) [770-011T201](#) [770-011T203](#) [770-011T701W1](#) [770-011T702](#) [770-011T702W1](#) [770-011T703](#) [770-013210W1](#) [770-013311](#) [770-013312](#) [770-013709](#) [770-013711](#)