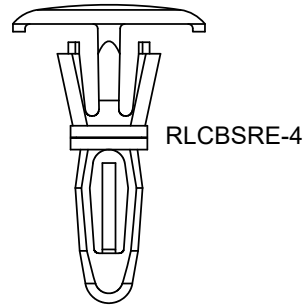
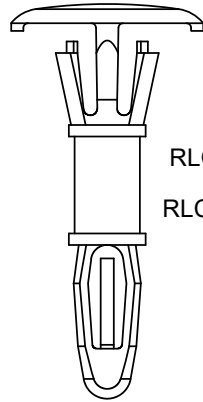


RLCBSRE-3



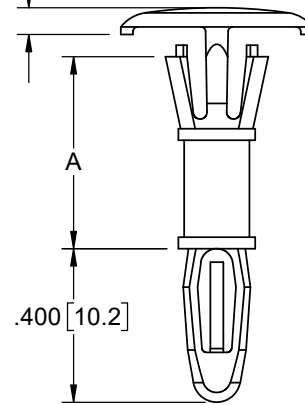
RLCBSRE-4



RLCBSRE-6  
TO  
RLCBSRE-10

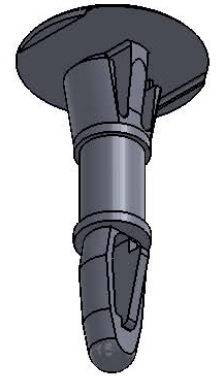
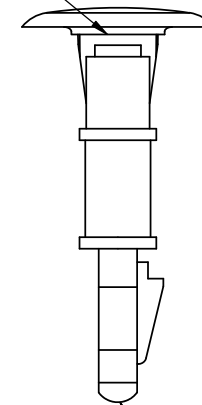
TO SNAP-LOCK IN A  
Ø.213±.003[5.4±.08] HOLE,  
IN A .059-.065[1.5-1.65]  
THICK PANEL

.07±.01 [1.8±0.25]

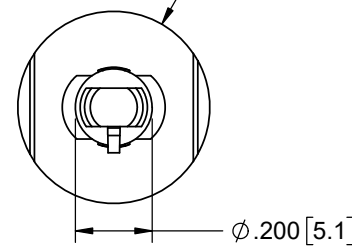


A

.400 [10.2]



TO SNAP-LOCK IN A  
Ø.157±.003[4.0±.08] HOLE,  
IN A .062[1.6] THICK PANEL



Ø.500 [12.7]

Ø.200 [5.1]

PART NUMBER	A
RLCBSRE-3-01	3/16 [4.8]
RLCBSRE-4-01	1/4 [6.4]
RLCBSRE-6-01	3/8 [9.5]
RLCBSRE-8-01	1/2 [12.7]
RLCBSRE-10-01	5/8 [15.9]

NOTES:  
1. MATERIAL:  
STANDARD: UL94 V-2 NYLON 6/6 [RMS-01],  
COLOR NATURAL  
SPECIAL ORDER ONLY: UL94 V-0 NYLON 6/6 [RMS-19],  
COLOR NATURAL.  
TO ORDER REPLACE -01 WITH -19  
SPECIAL ORDER ONLY: UV WEATHER RESISTANT,  
UL94 V-2 NYLON 6/6 [RMS-46], COLOR BLACK.  
TO ORDER REPLACE -01 WITH -UVB  
2. DESIGN DIMENSIONS ARE INCHES. METRIC  
CONVERSIONS ARE PROVIDED FOR REFERENCE ONLY

TITLE: REVERSE LCKNG CRCT BOARD SUPPORT, ENGLISH				UNITS: INCH[mm]	
CREATED USING SOLIDWORKS	FILE #: RLCBSRE	DWN: D.Z.	APP: -	FINAL	
TOLERANCES UNLESS NOTED .XX=±.020 .XXX=±.015 FRAC.=±1/64 ANG.=±3°	SHEET: 1 OF 1	SHEET SIZE: A	DT: 07.25.2018	CHKD: M.B.	PART #
	RE: --				SEE TABLE
					PRINT TYPE CA

REV.	DESCRIPTION	ENGR.	DATE
D	ADD -3 PART & CONVERT TO SOLIDWORKS - ECN#1438	D.Z.	07.25.2018
C	CHANGED FILE NUMBER	S.M.	05.03.2001
B	MATERIAL RMS-19 ADDED	J.L.	12.29.1997
A	CONVERTED TO AUTOCAD	PB	05.23.1995

## X-ON Electronics

Largest Supplier of Electrical and Electronic Components

*Click to view similar products for [Circuit Board Hardware - PCB category](#):*

*Click to view products by [Richco manufacturer](#):*

Other Similar products are found below :

[8919-0-00-15-00-00-03-0](#) [0132-0-15-01-30-27-04-0](#) [0135-0-15-01-30-27-04-0](#) [5970-1-15-01-32-14-04-0](#) [0132-0-15-15-30-27-04-0](#) [0135-0-15-15-30-27-04-0](#) [0149-0-15-15-30-27-04-0](#) [MBI 1 BLUE](#) [7305-0-15-15-47-14-10-0](#) [MKU 1 BLACK](#) [MLN 150/1 BLACK](#) [8579-0-15-80-11-27-10-0](#) [8579-1-15-15-11-27-10-0](#) [8637-0-15-15-21-14-10-0](#) [8830-0-15-01-22-14-10-0](#) [8836-0-00-21-00-00-03-0](#) [PRUEF 2 RED](#) [9976-0-00-00-00-00-03-0](#) [1178-0-01-80-00-00-03-0](#) [PW1616](#) [1215-3-05-00-00-00-01-0](#) [1303-0-15-15-47-14-04-0](#) [1404-3](#) [1404-4](#) [1406-4](#) [1407-3](#) [1406-3](#) [1407-4](#) [1408-3](#) [1424-4](#) [1426-3](#) [1427-3](#) [1427-4](#) [1428-3](#) [1419-4](#) [1424-3](#) [1426-4](#) [1428-4](#) [MPS 1 BLACK](#) [1520150-1](#) [1548-103](#) [1801-0-15-15-30-27-04-0](#) [1938-0-00-00-00-00-03-0](#) [1942-0-00-00-00-00-03-0](#) [2101-3-00-44-00-00-07-0](#) [2104-2-01-44-00-00-07-0](#) [2108-2-00-50-00-00-07-0](#) [2108-3-00-44-00-00-07-0](#) [2109-2-00-44-00-00-07-0](#) [2110-2-00-44-00-00-07-0](#)