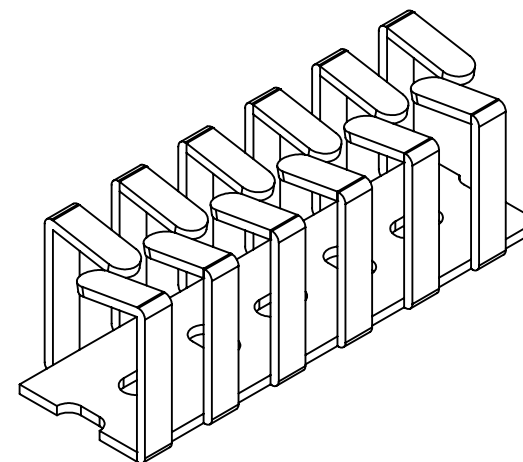


| PART NO. | EXT. DIM. "A" | MOUNTING METHOD | INT. SECTION IN ² [MM ²] |
|-----------|---------------|-----------------|---|
| *RX1313-0 | .49 [12.5] | SCREW | .171 [110.0] |
| *RX1313-4 | | ADHESIVE | |
| RX1616-0 | .63 [16.0] | SCREW | .287 [185.0] |
| RX1616-4 | | ADHESIVE | |
| RX2020-0 | .79 [20.0] | SCREW | .496 [320.0] |
| RX2020-4 | | ADHESIVE | |
| RX2525-0 | .98 [25.0] | SCREW | .775 [500.0] |
| RX2525-4 | | ADHESIVE | |
| RX3030-0 | 1.18 [30.0] | SCREW | 1.116 [720] |
| RX3030-4 | | ADHESIVE | |
| RX4040-0 | 1.57 [40.0] | SCREW | 2.046 [1320.0] |
| RX4040-4 | | ADHESIVE | |
| RX5050-0 | 1.97 [50.0] | SCREW | 3.162 [2040.0] |
| RX5050-4 | | ADHESIVE | |

*ONLY ON THESE TWO PARTS,
ALL HOLES HAVE THE SAME ORIENTATION



- NOTES:
1. MATERIAL: POLYPROPYLENE (RMS-177).
 2. COLOR: GRAY RAL7040.
 3. SHR CAT INSTALLATION TOOL SERIES CAN BE USED FOR QUICK HARNESS ASSEMBLY
 4. UL-94 V0 MATERIAL AVAILABLE BY SPECIAL ORDER.
 5. DOUBLE SIDED ADHESIVE TAPE (RMS-93).
 6. SCREW MOUNT CHANNEL IS UL LISTED

| TITLE: CHANNEL, FLEXIBLE (RICHFLEX) | | | | DWG IN IN [MM] | | FINAL | |
|---|--|-------------------------------|------------|--|--|------------|--|
| CREATED USING SOLIDWORKS | FILE #: RX XXXX-X | DWN: SM | APP: - | PART # | | PRINT TYPE | |
| TOLERANCES UNLESS NOTED .XX=±.010 .XXX=±.005 FRAC.=±1/64 ANG.=±1° | SHEET: 1 OF 2 SHEET SIZE: A | DT: 01/04/05 | CHKD: - | | | | |
| F SEE CO 200072 SK 11/28/07 | E SEE ECN #903 FOR CHANGES SM 01/04/05 | - SEE ENGINEERING FOR REV A-D | ENGR. DATE | SEE TABLE | | CA | |
| RE: RICHCO, INC. | | | | RICHCO, INC. ENG@RICHCO-INC.COM (773) 539-4060 | | | |

X-ON Electronics

Largest Supplier of Electrical and Electronic Components

Click to view similar products for [Wire Ducting & Raceways](#) category:

Click to view products by [Richco](#) manufacturer:

Other Similar products are found below :

[FG5EI25-A](#) [PED12](#) [PED8](#) [PEVEP](#) [FXOE3-10M3](#) [FZD3-3M2](#) [FZLE10-10M2](#) [FZOE10-10M1](#) [FZOLE10-10M2](#) [FZPE3-10M2](#) [923223-000](#)
[PRAF6WH-X](#) [A0405538](#) [1301150342](#) [1301230083](#) [1301150343](#) [1301230086](#) [1301240054](#) [AX101472](#) [AX102652](#) [AX102653](#) [AX102737](#)
[S62DS](#) [S65DS](#) [S75DSH](#) [A0405536](#) [A0405537](#) [A0649869](#) [FXOD3-3M1](#) [FXOE10-10M2](#) [FZLD3-3M2](#) [FZOE3-10M1](#) [FZOE3-10M2](#)
[FZOLE3-10M2](#) [FZOPE10-10M1](#) [FZPD3-3M2](#) [PZRFE4](#) [PZWIFIEN](#) [PZWIFIENA](#) [CNPSNH](#) [CNSPC](#) [5400ES](#) [WDLT-1216-72](#) [655287-000](#)
[S75DS](#) [1301180028](#) [801A-LSP](#) [TGECAW](#) [206461-000](#) [853425-000](#)