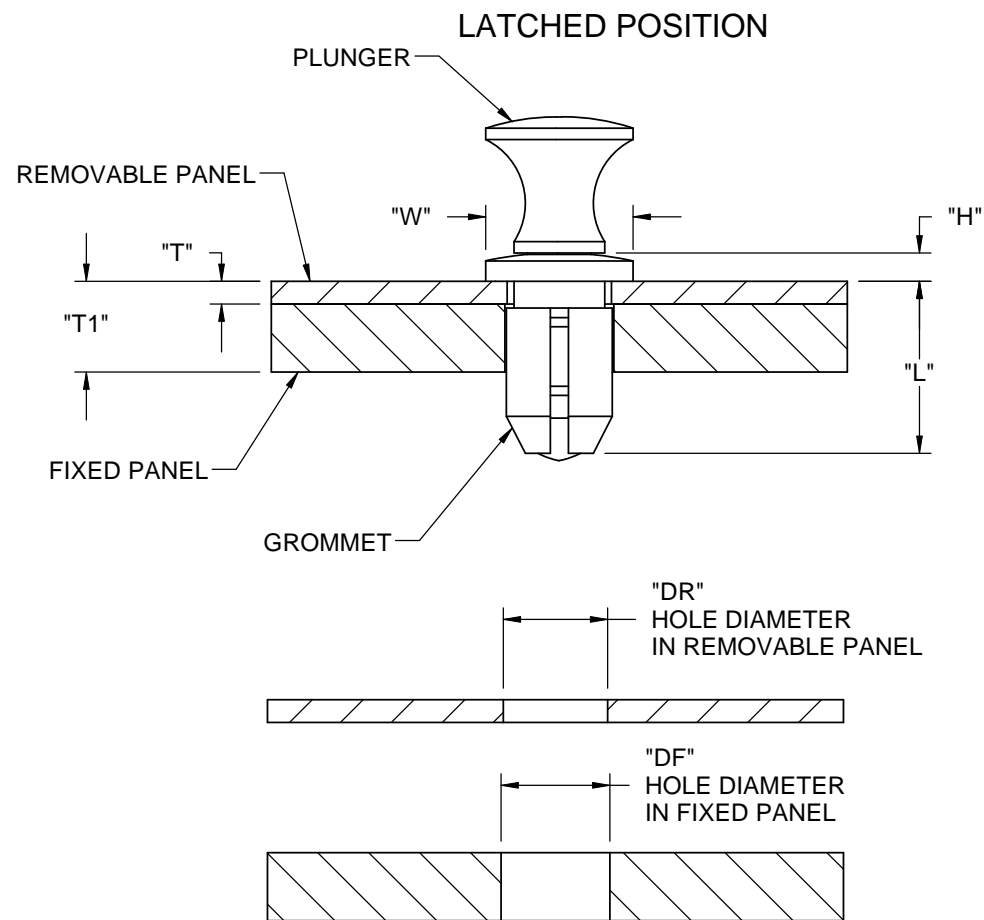
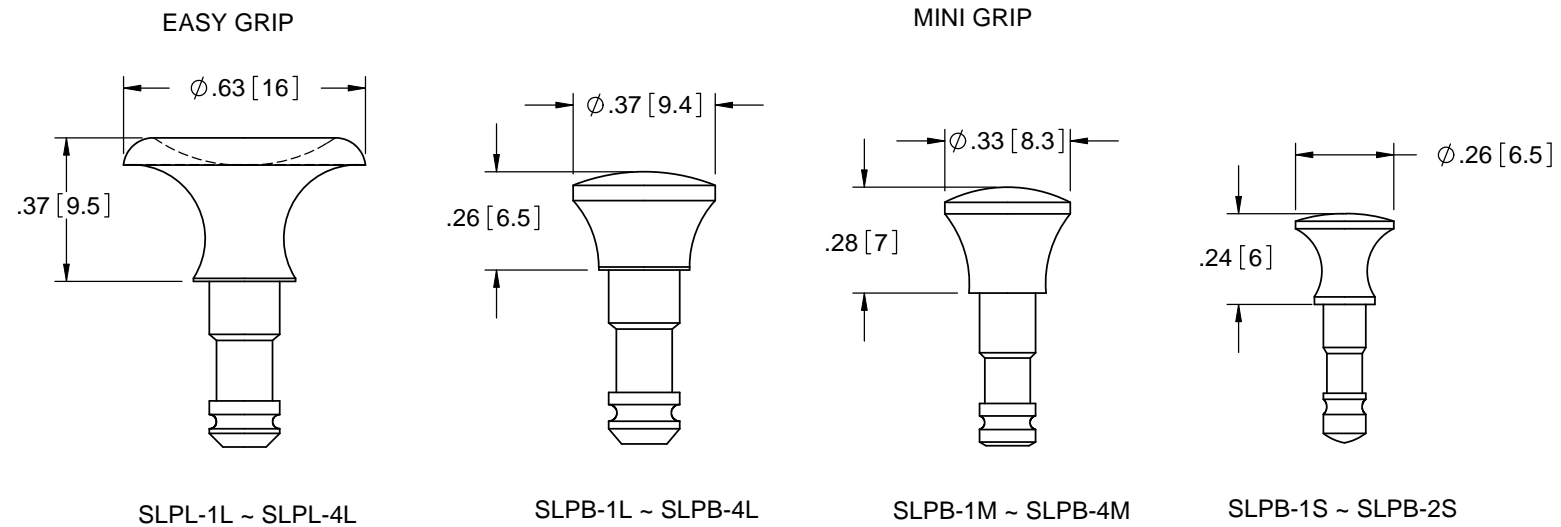


GROMMET NO.	GROMMET DASH NO.	"W"±.012 [0.3]	"H"±.008 [0.2]	"L" REF	"T" MAX	"T1" MAX	"DR" REMOVABLE PANEL HOLE DIA. RANGE	"DF" FIXED PANEL HOLE DIA. RANGE	MATING PLUNGER	ALTERNATE MATING PLUNGER NO.	PLUNGER DASH NO.
SLG	SL	.425 [10.8]	.079 [2]		.339 [8.6]	.043 [1.1]	.059-.145 [1.5-3.7]	.295-.303 [7.5-7.7]	SLPL	SLPB	1L
	1L				.354 [9]	.063 [1.6]	.079-.165 [2-4.2]				2L
	2L				.394 [10]	.098 [2.5]	.118-.205 [3-5.2]				3L
	3L				.461 [11.7]	.161 [4.1]	.181-.272 [4.6-6.9]				4L
	4L				.508 [12.9]	.209 [5.3]	.228-.315 [5.8-8]				
	1M	.335 [8.5]	.071 [1.8]		.315 [8]	.043 [1.1]	.059-.146 [1.5-3.7]	.234-.240 [5.95-6.1]	SLPB	----	1M
	2M				.335 [8.5]	.063 [1.6]	.079-.165 [2-4.2]				2M
	3M				.374 [9.5]	.098 [2.5]	.118-.272 [3-5.2]				3M
	4M				.433 [11]	.161 [4.1]	.181-.272 [4.6-6.9]				4M
	1S				.256 [6.5]	.047 [1.2]					.299 [7.6]
2S	.319 [8.1]	.059 [1.5]	.098-.177 [2.5-4.5]	2S							



**PLUNGER STYLES**



NOTES:  
 1. PLUNGER MATERIAL: NYLON 6, (RMS-120).  
 2. GROMMET MATERIAL: POLYCARBONATE, (RMS-72).  
 3. COLOR: BLACK OR WHITE; ADD SUFFIX "-B" OR "-W" TO PART NO.

REV.	DESCRIPTION	ENGR.	DATE
K	SEE CO 200302 FOR CHANGES	SK	01/06/09
J	SEE CO 200187 FOR CHANGES	S.K.	05/21/08
I	SEE ECN #1157 FOR CHANGES	SJ	4/25/06
H	SEE ECN #944 FOR CHANGES	SK	02/22/05
-	SEE ENG. FOR REVISIONS A-G	-	---

TITLE: <b>SNAP LATCH</b>				DWG IN IN [MM]			
CREATED USING SOLIDWORKS		FILE #: SL	DWN: SK	APP: SK		FINAL	
TOLERANCES UNLESS NOTED .XX±.01 .XXX±.005 FRAC.±1/64 ANG.±1°		SHEET: 1 OF 1	SHEET SIZE: B	DT: 02/22/05	CHKD: RDG	PART #	PRINT TYPE
RE: RICHCO, INC.		RICHCO, INC. ENG@RICHCO-INC.COM (773) 539-4060		SEE TABLE		CA	

## X-ON Electronics

Largest Supplier of Electrical and Electronic Components

*Click to view similar products for [Screws & Fasteners](#) category:*

*Click to view products by [Richco](#) manufacturer:*

Other Similar products are found below :

[5721-1440-1/4-SS](#) [593503FX](#) [0098.0094](#) [0098.9206](#) [0098.9219](#) [0098.9221](#) [0098.9262](#) [596-2114-013](#) [59781-4](#) [59781-6](#) [0098.0026](#)  
[0098.9210](#) [0098.9212](#) [60227-01](#) [60227-04](#) [60227-08](#) [60228-09](#) [618-00001](#) [62153-03](#) [62153-11](#) [M316-KSSTMCZ100](#) [M3440-SS](#) [M3442-SS](#) [M3448-SS](#) [6291A](#) [6292-1](#) [6-306105-9](#) [6-306131-4](#) [690432-1](#) [699161-000](#) [700989](#) [7-18023-1](#) [7-21002-8](#) [7230-3](#) [7235-3](#) [7248-1](#) [7248-2](#)  
[73542-02](#) [CAPTIVE SHORT THUMBSCREW](#) [745564-1](#) [748174-2](#) [F03-02](#) [SUS316](#) [F1209](#) [751-00001](#) [80011](#) [809704-1](#) [8700](#) [8860220](#)  
[9047](#) [95000002B](#) [9885-2](#)