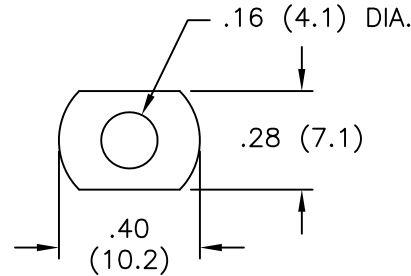
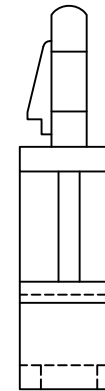
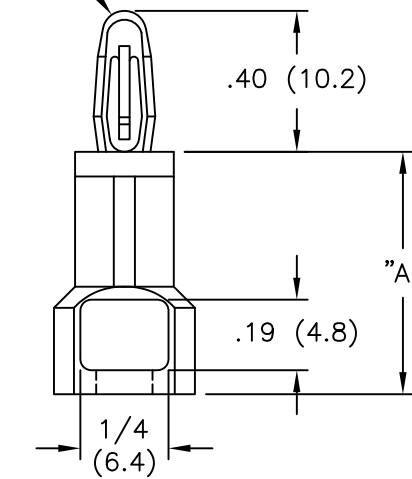


TO SNAP-LOCK IN A $.156 \pm .003$
 (4.0 ± 0.08) DIA. HOLE, IN A
 $.062$ (1.6) THICK PANEL/BOARD



PART NO.	"A"
SRLCBS-6-01	3/8 (9.5)
SRLCBS-7-01	7/16 (11.1)
SRLCBS-8-01	1/2 (12.7)
SRLCBS-10-01	5/8 (15.9)
SRLCBS-12-01	3/4 (19.1)
SRLCBS-14-01	7/8 (22.2)
SRLCBS-16-01	1 (25.4)

USE RICHCO RIVET NO.	FOR CHASSIS THICKNESS
SR-4050	.026-.062 (0.7-1.6)
SR-4060	.062-.105 (1.5-2.7)
SR-4070	.105-.145 (2.7-3.7)
SR-4080	.145-.184 (3.7-4.7)
SR-4090	.184-.223 (4.7-5.7)
SR-4100	.223-.263 (5.7-6.7)
SR-4120	.282-.341 (7.2-8.7)

NOTES:

1. MATERIAL: NYLON 6/6 (RMS-01).
 FLAME RETARDANT NYLON (RMS-19),
 AVAILABLE BY SPECIAL ORDER ONLY.
2. COLOR: NATURAL.
3. $.157$ TO $.161$ (4.0 TO 4.1) DIA.
 HOLE IN CHASSIS REQUIRED FOR
 APPLICATION

TITLE: SNAP RIVET LOCKING CIRCUIT BOARD SUPPORT				DWG IN IN (MM)		FINAL		PR	
E	SEE CO 200401 FOR CHANGES	SK 09.08.09	TOLERANCES UNLESS NOTED	FILE # SRLCBS	DWN: P.B.	APP:	PART #		PRINT TYPE
D	SEE ECN #1253 FOR CHANGES	SK 11.29.06	.XX= $\pm .010$	MAT'L: SEE NOTES	DT: 05-03-94	DT:	SEE TABLE		CA
C	SEE ECN #1002 FOR CHANGES	SK 05.11.05	.XXX= $\pm .005$	RE: RICHCO, INC.	RICHCO INC. PO BOX 804238, CHICAGO, 60680				
B	UPDATED NOTES AND CHANGED FILE NO.	SM 08.20.02	FRAC= $\pm 1/64$						
A	CONVERTED TO ACAD	PB 05.03.94	ANG= $\pm 1'$						
REV	DESCRIPTION	ENGR DATE							

X-ON Electronics

Largest Supplier of Electrical and Electronic Components

Click to view similar products for [Circuit Board Hardware - PCB category](#):

Click to view products by [Richco manufacturer](#):

Other Similar products are found below :

[8919-0-00-15-00-00-03-0](#) [0132-0-15-01-30-27-04-0](#) [0135-0-15-01-30-27-04-0](#) [5970-1-15-01-32-14-04-0](#) [0132-0-15-15-30-27-04-0](#) [0135-0-15-15-30-27-04-0](#) [0149-0-15-15-30-27-04-0](#) [MBI 1 BLUE](#) [7305-0-15-15-47-14-10-0](#) [MKU 1 BLACK](#) [MLN 150/1 BLACK](#) [8579-0-15-80-11-27-10-0](#) [8579-1-15-15-11-27-10-0](#) [8637-0-15-15-21-14-10-0](#) [8830-0-15-01-22-14-10-0](#) [8836-0-00-21-00-00-03-0](#) [PRUEF 2 RED](#) [9976-0-00-00-00-00-03-0](#) [1178-0-01-80-00-00-03-0](#) [PW1616](#) [1215-3-05-00-00-00-01-0](#) [1303-0-15-15-47-14-04-0](#) [1404-3](#) [1404-4](#) [1406-4](#) [1407-3](#) [1406-3](#) [1407-4](#) [1408-3](#) [1424-4](#) [1426-3](#) [1427-3](#) [1427-4](#) [1428-3](#) [1419-4](#) [1424-3](#) [1426-4](#) [1428-4](#) [MPS 1 BLACK](#) [1520150-1](#) [1548-103](#) [1801-0-15-15-30-27-04-0](#) [1938-0-00-00-00-00-03-0](#) [1942-0-00-00-00-00-03-0](#) [2101-3-00-44-00-00-07-0](#) [2104-2-01-44-00-00-07-0](#) [2108-2-00-50-00-00-07-0](#) [2108-3-00-44-00-00-07-0](#) [2109-2-00-44-00-00-07-0](#) [2110-2-00-44-00-00-07-0](#)