

REV	DESCRIPTION	ENGR DATE
D	CHANGED FILE NUMBER	SM 05.10.01
C	ADDED 3 NEW SIZES TO #6 & #8 SCREW	M.B. 9.15.00
B	DIM. 5/16(.79) WAS 5/16(.71)	J.L. 4/22/99
A	MAT'L RMS-19 ADDED	J.L. 12.10.97

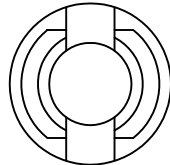
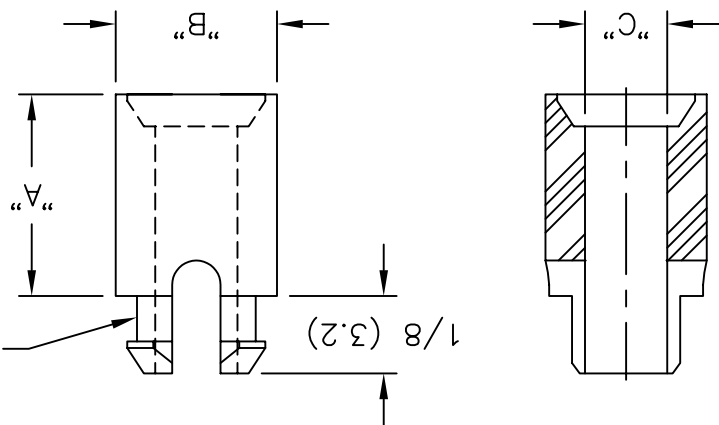
TOLERANCES  
UNLESS NOTED  
.XX±.010  
.XXX±.005  
FRAC=1/64  
ANG=1°

FILE # SSRS  
DWN: P.B. APP:  
MATERIAL: SEE NOTES  
DT: 03-16-94 DT:  
RICHCO INC.  
PO BOX 804238, CHICAGO, 60680  
(773) 539-4060

PART #  
SEE TABLE  
PRINT TYPE  
CA

NOTES:  
1. MATERIAL: NYLON 66 (RMS-01).  
FLAME RETARDANT: NYLON (RMS-19),  
BY SPECIAL ORDER.  
2. COLOR: NATURAL.

TITLE: STACKABLE, SELF RETAINING SPACER  
DWG IN (MM)  
FINAL



PART NO.	FOR #4 (M-3) SCREW	FOR #6 (M-3.5) SCREW	FOR #8 (M-4) SCREW	"A"±.015 (0.4)
SSRS4-2-01	-	-	-	1/8 (3.2)
SSRS4-3-01	-	-	-	3/16 (4.8)
SSRS4-4-01	SSRS6-4-01	SSRS8-4-01	SSRS8-4-01	1/4 (6.4)
SSRS4-5-01	SSRS6-5-01	SSRS8-5-01	SSRS8-5-01	5/16 (7.9)
SSRS4-6-01	SSRS6-6-01	SSRS8-6-01	SSRS8-6-01	3/8 (9.5)
SSRS4-7-01	SSRS6-7-01	SSRS8-7-01	SSRS8-7-01	7/16 (11.1)
SSRS4-8-01	SSRS6-8-01	SSRS8-8-01	SSRS8-8-01	1/2 (12.7)
SSRS4-10-01	SSRS6-10-01	SSRS8-10-01	SSRS8-10-01	5/8 (15.9)
-	SSRS6-12-01	SSRS8-12-01	SSRS8-12-01	3/4 (19.1)
-	SSRS6-14-01	SSRS8-14-01	SSRS8-14-01	7/8 (22.2)
-	SSRS6-16-01	SSRS8-16-01	SSRS8-16-01	1.0 (25.4)

SERIES	NO.	DIM. "B"	DIM. "C"	SCREW SIZE	MOUNTING HOLE DIA. ±.003(0.08)
SSRS4	.260 (6.6)	.125 (3.1)	#4	.187 (4.75)	
SSRS6	5/16 (7.9)	.153 (3.9)	#6	.234 (5.94)	
SSRS8	5/16 (7.9)	.169 (4.3)	#8	.234 (5.94)	

## X-ON Electronics

Largest Supplier of Electrical and Electronic Components

*Click to view similar products for [Standoffs & Spacers](#) category:*

*Click to view products by [Richco](#) manufacturer:*

Other Similar products are found below :

[M0513-3-N](#) [M0516-3-N](#) [M0517-3-N](#) [M0518-3-N](#) [M0521-3-N](#) [M0524-3-N](#) [M0532-35-AL](#) [M0532-35-N](#) [M0543-4-AL](#) [M0544-35-N](#) [M0544-3-N](#) [M0545-3-AL](#) [M0553-3-N](#) [M0564-4-N](#) [M0608-5-SS](#) [M0609-5-SS](#) [M0610-35-AL](#) [M0613-3-N](#) [M0651-5-SS](#) [M0653-35-N](#) [M0654-4-SS](#) [M0655-5-AL](#) [M0655-5-N](#) [M0660-4-AL](#) [M0660-4-N](#) [M0670-35-N](#) [M0671-5-N](#) [M0671-5-SS](#) [M0722-5-N](#) [M0725-6-N](#) [M0731-4-N](#) [M0904-B-25-AL](#) [M1273-2545-AL](#) [M1273-3005-AL](#) [M1303-3506-AL](#) [M1307-3506-AL](#) [M1313-3005-N](#) [M1313-4007-AL](#) [M1314-3005-AL](#) [M1314-3005-SS](#) [M1315-3005-SS](#) [M1315-4007-N](#) [M1317-3506-AL](#) [M1317-4007-SS](#) [M1318-3005-SS](#) [M1320-3005-AL](#) [M1320-3005-N](#) [M1321-3005-SS](#) [M1321-4007-AL](#) [M1322-4007-N](#)