

REV	DESCRIPTION	ENGR	DATE
—	SEE ENGINEERING FOR REV A TO D	---	---
E	SEE CO 200773 FOR CHANGES	SK 04.30.12	
F	SEE CO 200780 FOR CHANGES	SK 06.07.12	

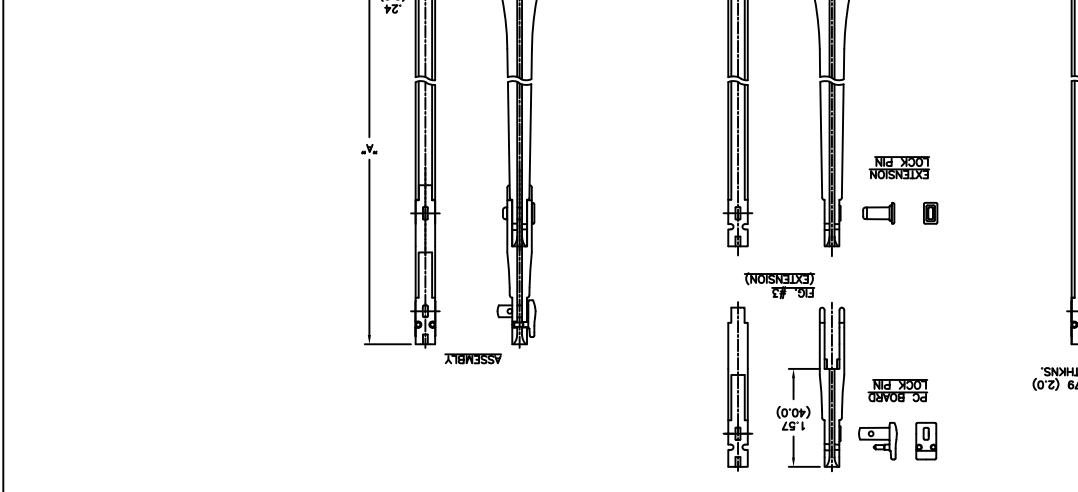
FILE #	VMCGN	DWN: R.D.G.	APP:
MAT'L:	SEE NOTES	DT: 03/13/01	DT:
RE:	RICHCO, INC.	RICHCO INC. PO BOX 804238, CHICAGO, 60680 (773) 539-4060	

TOLERANCES	UNLESS NOTED
XX=±.010	
.XXX=±.005	
FRAC=1/64	ANG=1°

PRINT TYPE	CA
FINAL	

DWG IN	IN (MM)
PR	

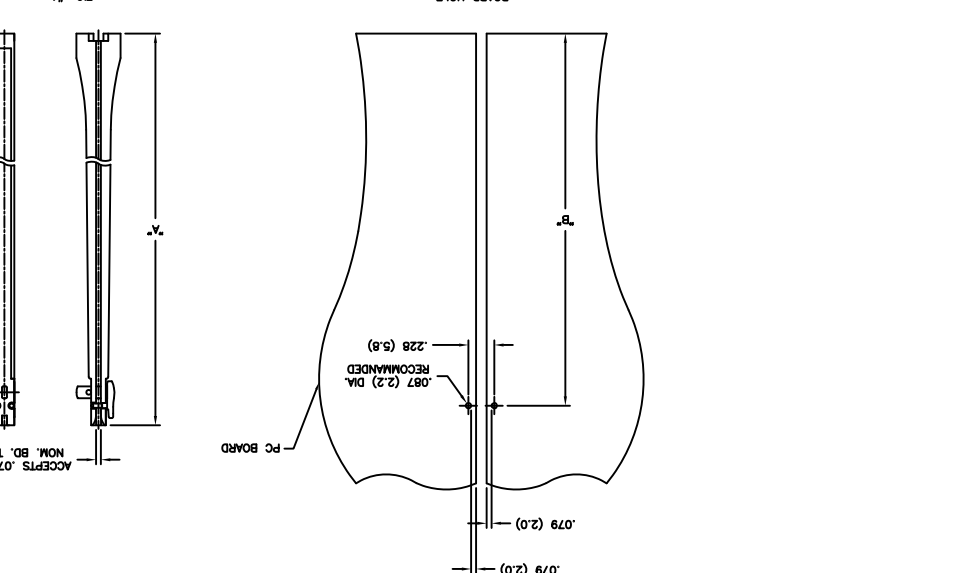
TITLE: VERTICAL MOUNT CARD GUIDE



PART NO.	"A"	"B"	METAL INSERT	STD. PACKAGE	FIG. NO.
VMCGN65-M3-L-K	2.56 (65)	2.24 (57)	X	100	1
VMCGN65-440-L			X	100	1
VMCGN105-M3-L-K	4.13 (105)	3.82 (97)	X	100	2+3
VMCGN105-440-L			X	100	2+3
VMCGN120-M3-L-K	4.72 (120)	4.41 (112)	X	100	1
VMCGN120-440-L			X	100	1
VMCGN160-M3-L-K	6.30 (160)	5.98 (152)	X	100	2+3
VMCGN160-440-L			X	100	2+3
VMCGN-EX-40	40	32		100	3

- NOTES:
- CARD GUIDE MATERIAL: FLAME RETARDANT POLYSTYRENE (RMS-117).
 - CARD GUIDE COLOR: BLUE.
 - LOCKING SYSTEM COLOR: WHITE.
 - CARD GUIDE WITH M3 INSERTS IS SUPPLIED WITH HARDWARE KIT, SUFFIX "-K", (WASHER, LOCK WASHER & M3X8 SCREW).
 - CARD GUIDE WITH 4/40 INSERTS IS NOT SUPPLIED WITH HARDWARE.
 - COMPONENTS:

- LOCKING BUTTON: ACETAL (RMS-39)
- SCREW: MILD STEEL, ZINC PLATED (RMS-415)
- THREADED INSERT: BRASS (RMS-231)
- WASHER: STAINLESS STEEL (RMS-228)



X-ON Electronics

Largest Supplier of Electrical and Electronic Components

Click to view similar products for [Racks & Rack Cabinet Accessories](#) category:

Click to view products by [Richco](#) manufacturer:

Other Similar products are found below :

[M00-PLN](#) [F2420](#) [F2424](#) [8310-1032-SS](#) [9104](#) [PLFF2000](#) [PLFF6000](#) [GP216](#) [PTFA60000LG](#) [H-9163-B](#) [HEH050BA](#) [1427C3](#) [BAS-5104](#) [N-700-2](#) [190-002](#) [HTL10](#) [HTS10](#) [PC-118](#) [PC-780L](#) [PC-79](#) [PC-800](#) [SC4-28](#) [F3024](#) [AKWAMT](#) [PLFF1000](#) [CG3-340S/12](#) [2CWDP36](#) [2CWDP48](#) [2SSHINGE](#) [CP-001BK](#) [CPL19431LG1](#) [R570-004-107](#) [M6123-4007-SS](#) [TS170](#) [531300535](#) [BRX-12290](#) [C4BD3077SBK1](#) [UPS](#) [7-17-14 PLAIN](#) [LP40](#) [5261304-07](#) [CCA26-44-01](#) [706-102](#) [CG3-160G](#) [7112C-PLN ALUM](#) [CM10](#) [TS81](#) [7142](#) [GP134](#) [M6127-4007-SS](#) [PBCOVER](#)