

REV	DESCRIPTION	ENGR DATE
-	SEE ENGINEERING FOR REV A-E	---
F	SEE ECN #1358 FOR CHANGES	SK 08.24.07
G	SEE CO 20091 FOR CHANGES	SK 12.18.07

TOLERANCES UNLESS NOTED
 .XX=±.010
 .XXX=±.005
 FRAC=1/64
 ANG=1°

FILE # WHC
 DWN: P.B. APP:
 MAT'L: SEE TABLE
 DT: 05-02-94 DT:

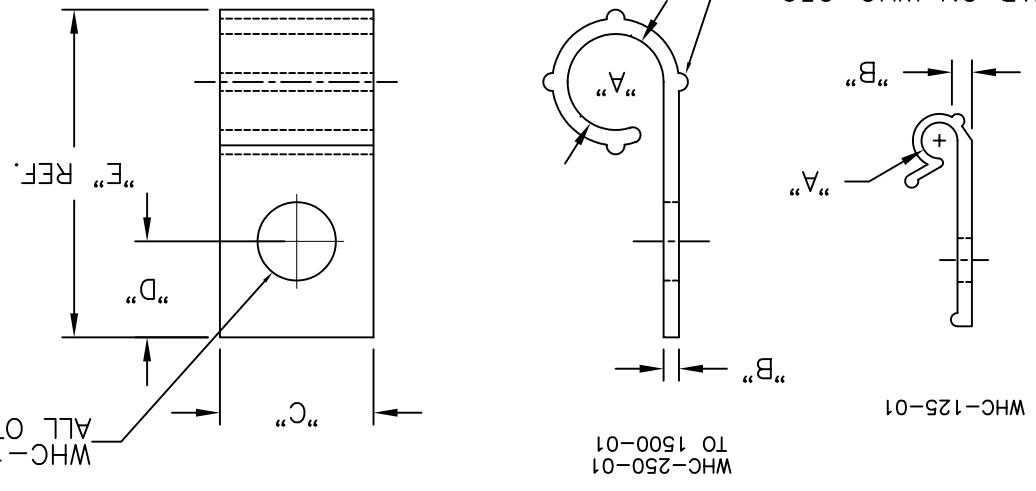
RICHCO INC.
 P.O. BOX 804238, CHICAGO, 60680
 (773) 539-4060

PART #
 SEE TABLE
 PRINT TYPE CA

TITLE: WIRE HARNESS CLIP
 DWG IN (MM) FINAL
 DR

NOTES:
 1. MATERIAL: FLAME RETARDANT (RMS-19), COLOR NATURAL, AVAILABLE BY SPECIAL ORDER. TO ORDER, REPLACE "-01" WITH "-19".
 2. MATERIAL: UV STABILIZED NYLON (RMS-46), COLOR BLACK, AVAILABLE BY SPECIAL ORDER. TO ORDER, REPLACE "-01" WITH "-UVB".

RIBS APPEAR ON WHC-250 AND WHC-375 ONLY



WHC-125-01: .156 (4.0) DIA.
 ALL OTHERS: .204 (5.2) DIA.

NYLON 6/6 (RMS-01) COLOR: NATURAL PART NO.	WHC-125-01	1/8 (3.2)	.05 (1.3)	.33 (8.4)	.23 (5.8)	.75 (19.1)
	WHC-250-01	1/4 (6.4)	.04 (1.0)	.33 (8.4)	.25 (6.4)	.83 (21.1)
	WHC-375-01	3/8 (9.5)	.05 (1.3)	.40 (10.2)	.19 (4.8)	
	WHC-500-01	1/2 (12.7)	.07 (1.8)	.50 (12.7)	.25 (6.4)	
	WHC-625-01	5/8 (15.9)	.08 (2.0)	.50 (12.7)	.25 (6.4)	
	WHC-750-01	3/4 (19.1)	.09 (2.2)	.50 (12.7)	.19 (4.8)	
	WHC-1000-01	1 (25.4)	.09 (2.2)	.50 (12.7)	.19 (4.8)	
	WHC-1500-01	1-1/2 (38.1)	.10 (2.5)	.50 (12.7)	.19 (4.8)	

X-ON Electronics

Largest Supplier of Electrical and Electronic Components

Click to view similar products for [Cable Mounting & Accessories](#) category:

Click to view products by [Richco](#) manufacturer:

Other Similar products are found below :

[HP-4N](#) [582603-1](#) [009333-000](#) [727844N003](#) [809090N001](#) [8109](#) [843188-000](#) [843459N001](#) [843460N003](#) [8666](#) [967279N002](#) [GPQC1/0](#) [DB-](#)
[11](#) [1300830208](#) [1300840039](#) [1300900026](#) [1300990052](#) [1301740005](#) [1301800121](#) [1301800416](#) [1300830184](#) [1300990149](#) [1301580036](#)
[1301720103](#) [1301720135](#) [1301720152](#) [1301720157](#) [1301740009](#) [1301770011](#) [1301850553](#) [1301860939](#) [1302000074](#) [1302264431](#)
[1337706-2](#) [APA18-AK](#) [MTX6UTPSRC-C](#) [1-787307-1](#) [185491N001](#) [HP-6N](#) [C-202-C](#) [202C221-13-0](#) [OMTM-S10-C0](#) [205339-4](#) [CA7308-](#)
[000](#) [8S23-75FR-CS8184](#) [2684](#) [9648](#) [3089](#) [988382-000](#) [A0270164](#)