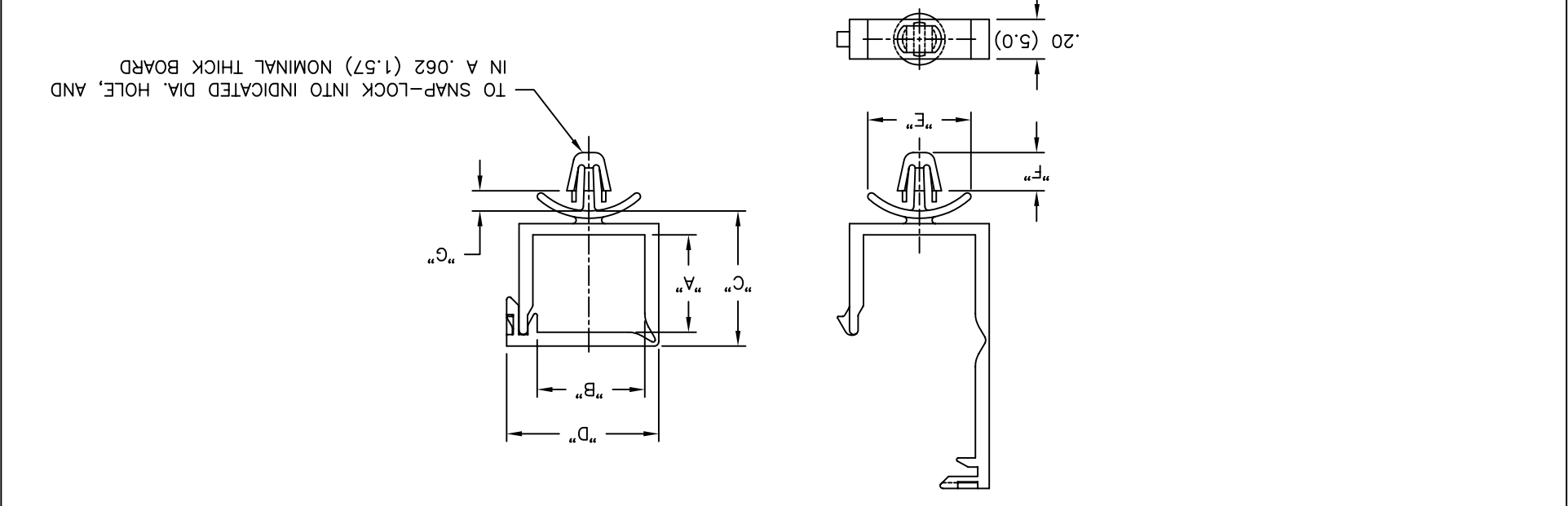


REV	DESCRIPTION	ENGR	DATE
1	SEE ECN #853 FOR CHANGES	SM	09.20.04
-	SEE ENGINEERING FOR REV. A-H	-	-
REVISION	DESCRIPTION	ENGR	DATE
1	SEE ECN #853 FOR CHANGES	SM	09.20.04
-	SEE ENGINEERING FOR REV. A-H	-	-

TOLERANCES UNLESS NOTED: .XX=±.010, .XXX=±.005, FRAC=±1/64, ANG=±1°.
 FILE # WSLT
 DWN: SM
 APP:
 DT: 03/06/02
 DT: 03/06/02
 RICHCO INC.
 P.O. BOX 804238, CHICAGO, IL 60680
 (773) 539-4060
 PART #
 SEE TABLE
 PRINT TYPE CA



PART NO.	DIM. "A"	DIM. "B"	DIM. "C"	DIM. "D"	DIM. "E"	DIM. "F"	DIM. "G"	HOLE DIA.
WSLT-3.5-2-1-01	.14 (3.4)	.53 (13.5)	.35 (8.9)	.77 (19.6)	.38 (9.5)	.118 (3.0)	.10 (2.5)	±.003 (±0.08)
WSLT-02-1	.19 (4.8)	.42 (10.7)	.37 (9.4)	.77 (19.6)	.38 (9.5)	.118 (3.0)	.10 (2.5)	±.003 (±0.08)
WSLT-01A	.19 (4.8)	.42 (10.7)	.37 (9.4)	.77 (19.6)	.38 (9.5)	.118 (3.0)	.10 (2.5)	±.003 (±0.08)
WSLT-01-2	.35 (8.8)	.57 (14.6)	.57 (14.6)	.66 (16.8)	.56 (14.3)	.118 (3.0)	.10 (2.5)	±.003 (±0.08)
WSLT-02A	.39 (10.0)	.64 (16.3)	.62 (15.8)	.88 (22.4)	.56 (14.3)	.118 (3.0)	.10 (2.5)	±.003 (±0.08)
WSLT-03-2	.55 (14.1)	.64 (16.3)	.77 (19.6)	.88 (22.4)	.56 (14.3)	.118 (3.0)	.10 (2.5)	±.003 (±0.08)
WSLT-03-3	.85 (21.7)	.71 (18.0)	1.07 (27.3)	.95 (24.1)	.56 (14.3)	.118 (3.0)	.10 (2.5)	±.003 (±0.08)

NOTES:
 1. MATERIAL: NYLON 6/6 (RMS-01), UL94 V-2.
 FLAME RETARDANT, NYLON (RMS-19), UL94 V-0,
 AVAILABLE BY SPECIAL ORDER ONLY.
 SPECIFIED MATERIALS COMPLY WITH STANDARD SS-00259-1.
 2. COLOR: NATURAL.
 3. ALL DIMENSIONS ARE REFERENCE.

X-ON Electronics

Largest Supplier of Electrical and Electronic Components

Click to view similar products for [Cable Mounting & Accessories](#) category:

Click to view products by [Richco](#) manufacturer:

Other Similar products are found below :

[HP-4N](#) [582603-1](#) [009333-000](#) [727844N003](#) [809090N001](#) [8109](#) [843188-000](#) [843459N001](#) [843460N003](#) [8666](#) [967279N002](#) [GPQC1/0](#) [DB-11](#) [1300830208](#) [1300840039](#) [1300900026](#) [1300990052](#) [1301740005](#) [1301800121](#) [1301800416](#) [1300830184](#) [1300990149](#) [1301580036](#) [1301720103](#) [1301720135](#) [1301720152](#) [1301720157](#) [1301740009](#) [1301770011](#) [1301850553](#) [1301860939](#) [1302000074](#) [1302264431](#) [1337706-2](#) [APA18-AK](#) [MTX6UTPSRC-C](#) [1-787307-1](#) [185491N001](#) [HP-6N](#) [C-202-C](#) [202C221-13-0](#) [OMTM-S10-C0](#) [205339-4](#) [CA7308-000](#) [8S23-75FR-CS8184](#) [2684](#) [9648](#) [3089](#) [988382-000](#) [A0270164](#)