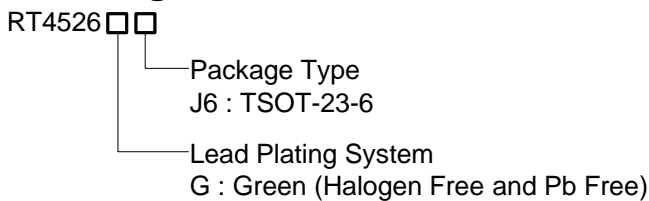


# Small Package, High Performance, Asynchronous Boost LED Driver

## General Description

The RT4526 is a high frequency, asynchronous boost converter. This converter can support White LEDs for backlighting and OLED power application, and the internal soft start function can reduce the inrush current. The device operates with 1MHz fixed switching frequency to allow small external components and to simplify possible EMI problems. For the protection, the RT4526 provides 30V OVP to allow inexpensive and small-output capacitors with lower voltage rating. The LED current is initially set with the external sense resistor  $R_{SET}$ . The RT4526 is available in the tiny package type TSOT-23-6 package to provide the best solution for PCB space saving and total BOM cost.

## Ordering Information



Note :

Richtek products are :

- ▶ RoHS compliant and compatible with the current requirements of IPC/JEDEC J-STD-020.
- ▶ Suitable for use in SnPb or Pb-free soldering processes.

## Marking Information

For marking information, contact our sales representative directly or through a Richtek distributor located in your area.

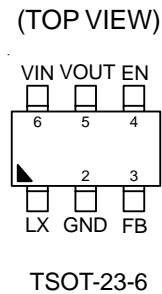
## Features

- $V_{IN}$  Operating Range : 2.5V to 5.5V
- Internal Power N-MOSFET Switch
- Wide Range for PWM Dimming (100Hz to 200kHz)
- 1MHz Switching Frequency
- Minimize the External Component Count
- Internal Soft Start
- Internal Compensation
- Under Voltage Protection
- Over Voltage Protection
- Over Temperature Protection
- Small TSOT-23-6 Package
- RoHS Compliant and Halogen Free

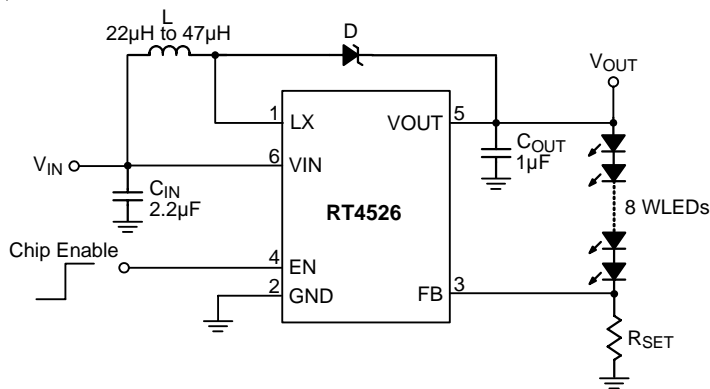
## Applications

- Cellular Phones
- Digital Cameras
- PDAs and Smart Phones and MP3 and OLED
- Portable Instruments

## Pin Configurations



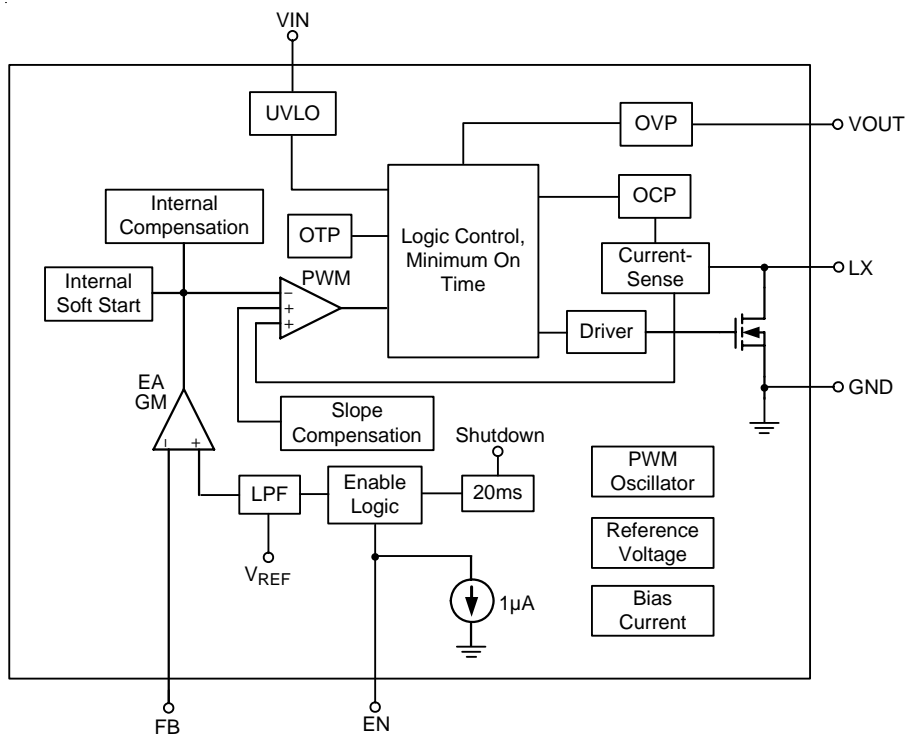
Typical Application Circuit



Functional Pin Description

Pin No.	Pin Name	Pin Function
1	LX	Switching.
2	GND	Ground.
3	FB	Feedback. Put a resistor to GND to set the current.
4	EN	Chip Enable (Active High).
5	VOUT	Output Voltage.
6	VIN	Input Supply.

Function Block Diagram



**Absolute Maximum Ratings** (Note 1)

- Supply Input Voltage,  $V_{IN}$  ----- -0.3V to 6V
- Switching Pin, LX ----- -0.3V to 50V
- VOUT ----- -0.3V to 46V
- Other Pins ----- -0.3V to 6V
- Power Dissipation,  $P_D$  @  $T_A = 25^\circ\text{C}$   
 TSOT-23-6 ----- 0.392W
- Package Thermal Resistance (Note 2)  
 TSOT-23-6,  $\theta_{JA}$  ----- 255°C/W
- Lead Temperature (Soldering, 10 sec.) ----- 260°C
- Junction Temperature ----- 150°C
- Storage Temperature Range ----- -65°C to 150°C

**Recommended Operating Conditions** (Note 3)

- Junction Temperature Range ----- -40°C to 125°C
- Ambient Temperature Range ----- -40°C to 85°C

**Electrical Characteristics**

( $V_{IN} = 3.7\text{V}$ ,  $C_{IN} = 2.2\mu\text{F}$ ,  $C_{OUT} = 1\mu\text{F}$ ,  $I_{OUT} = 20\text{mA}$ ,  $L = 22\mu\text{H}$ ,  $T_A = 25^\circ\text{C}$ , unless otherwise specified)

Parameter		Symbol	Conditions	Min	Typ	Max	Unit
Input Voltage		$V_{IN}$		2.5	--	5.5	V
Under Voltage Lockout		$V_{UVLO}$		2	2.2	2.45	V
UVLO Hysteresis				--	0.1	--	V
Quiescent Current		$I_Q$	FB = 1.5V, No Switching	--	400	600	$\mu\text{A}$
Supply Current		$I_{IN}$	FB = 0V, Switching	--	1	2	mA
Shutdown Current		$I_{SHDN}$	$V_{EN} < 0.4\text{V}$	--	1	4	$\mu\text{A}$
Line Regulation			$V_{IN} = 3$ to $4.3\text{V}$	--	1	--	%
Load Regulation			1mA to 20mA	--	1	--	%
Operation Frequency		$f_{OSC}$		0.75	1	1.25	MHz
Maximum Duty Cycle				90	92	--	%
Clock Rate				0.1	--	200	kHz
Feedback Reference Voltage		$V_{REF}$		285	300	315	mV
On Resistance		$R_{DS(ON)}$		--	0.7	1.2	$\Omega$
EN Threshold	Logic-High Voltage	$V_{IH}$		1.4	--	--	V
	Logic-Low Voltage	$V_{IL}$		--	--	0.5	
EN Sink Current		$I_{IH}$		--	1	--	$\mu\text{A}$
EN Hysteresis				--	0.1	--	V
Over-Voltage Threshold		$V_{OVP}$		30	---	---	V
Over-Current Threshold		$I_{OCP}$		1	1.2	--	A
OTP		$T_{OTP}$		--	160	--	$^\circ\text{C}$
OTP Hysteresis				--	30	--	$^\circ\text{C}$
Shutdown Delay		$T_{SHDN}$		--	20	--	ms

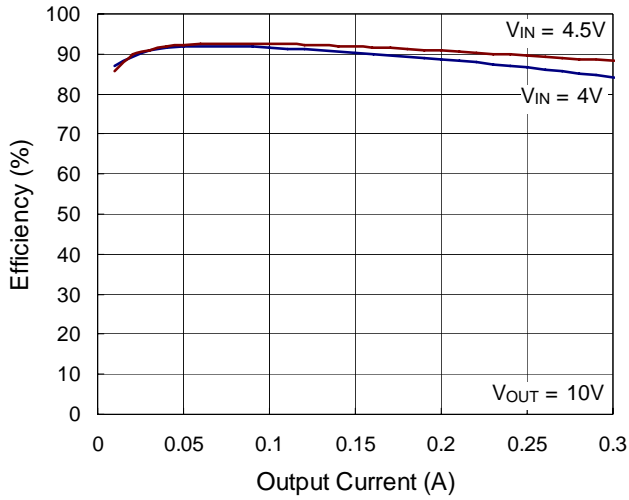
**Note 1.** Stresses listed as the above “Absolute Maximum Ratings” may cause permanent damage to the device. These are for stress ratings. Functional operation of the device at these or any other conditions beyond those indicated in the operational sections of the specifications is not implied. Exposure to absolute maximum rating conditions for extended periods may remain possibility to affect device reliability.

**Note 2.**  $\theta_{JA}$  is measured in the natural convection at  $T_A = 25^\circ\text{C}$  on a low effective single layer thermal conductivity test board of JEDEC 51-3 thermal measurement standard. The case point of  $\theta_{JC}$  is on the expose pad for the WDFN package.

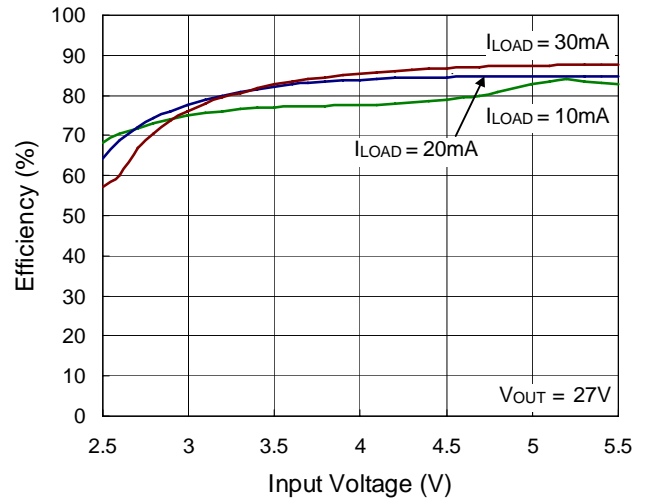
**Note 3.** The device is not guaranteed to function outside its operating conditions.

Typical Operating Characteristics

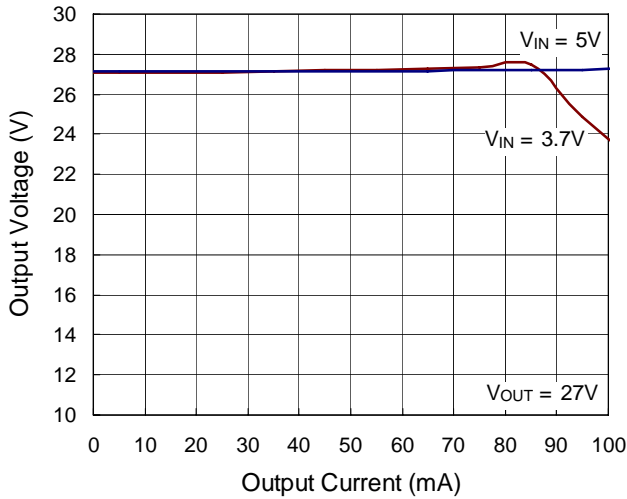
Efficiency vs. Output Current



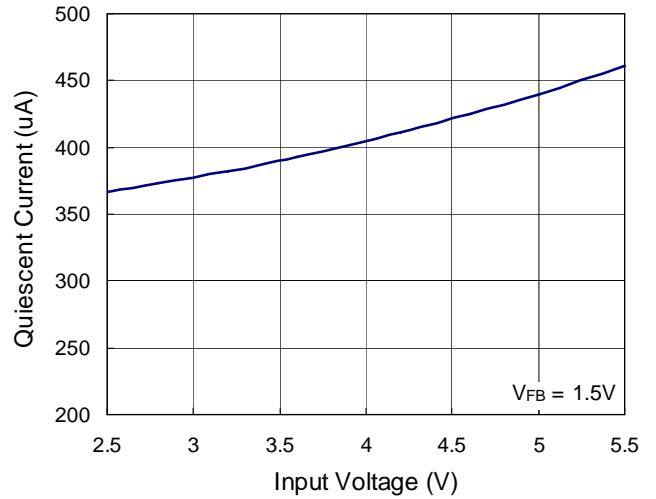
Efficiency vs. Input Voltage



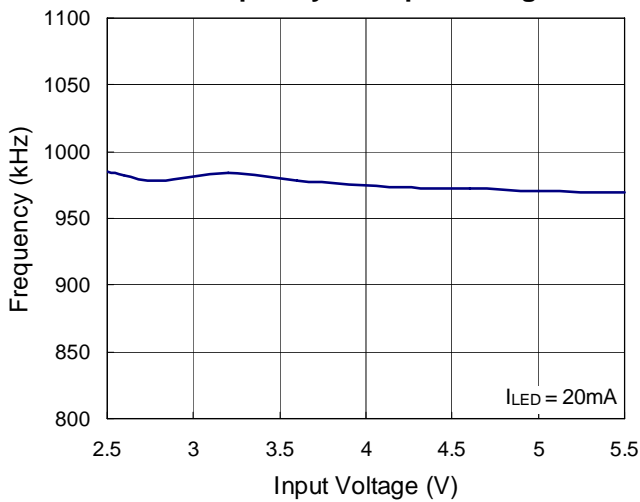
Output Voltage vs. Output Current



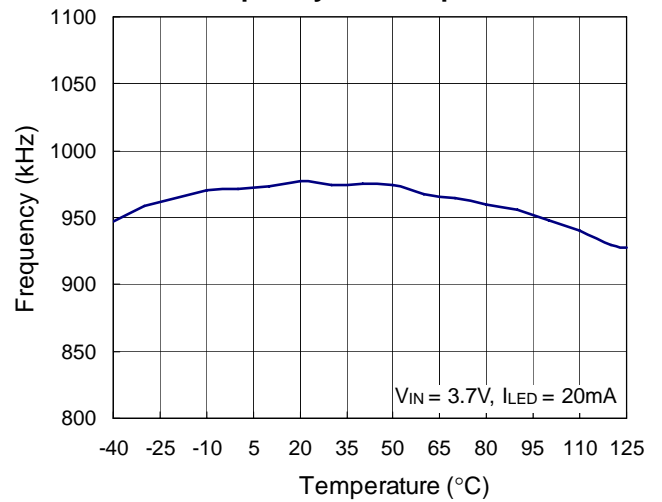
Quiescent Current vs. Input Voltage



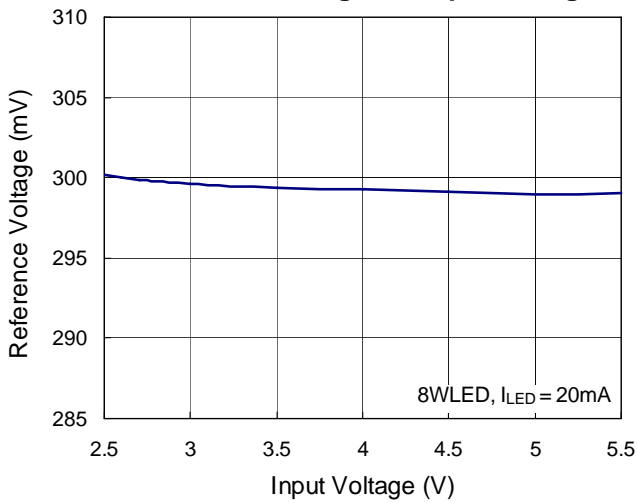
Frequency vs. Input Voltage



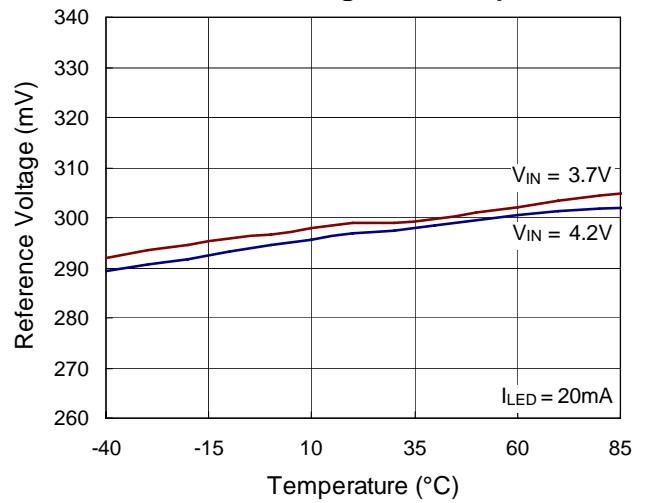
Frequency vs. Temperature



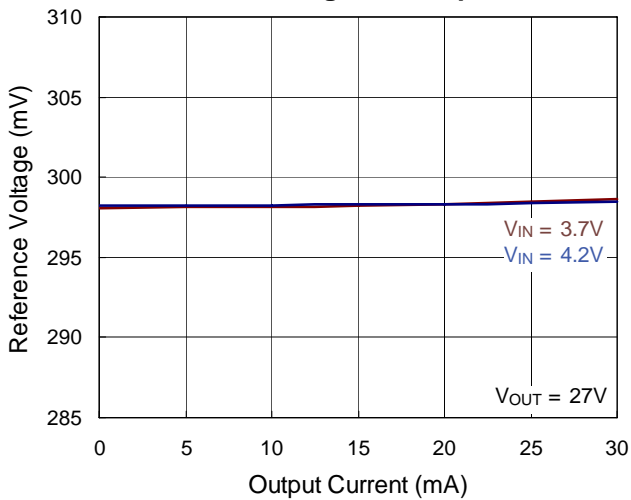
Reference Voltage vs. Input Voltage



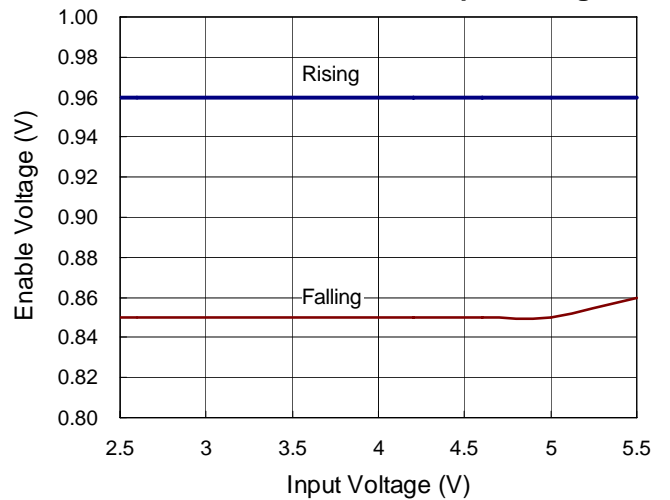
Reference Voltage vs. Temperature



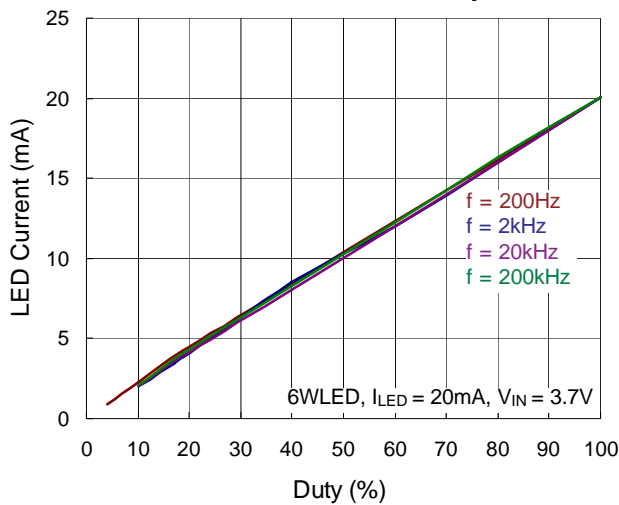
Reference Voltage vs. Output Current



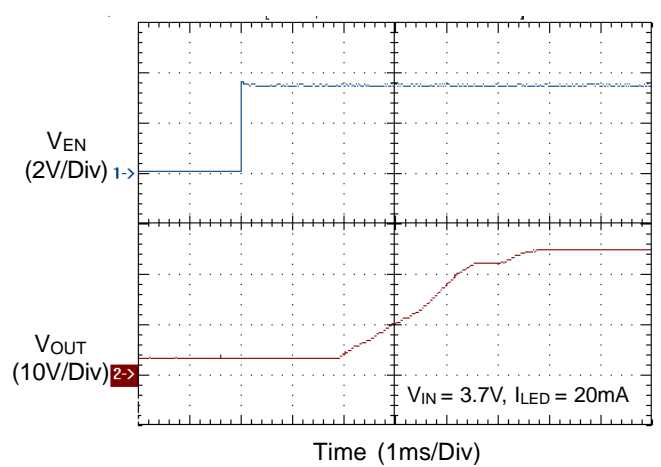
Enable Threshold vs. Input Voltage



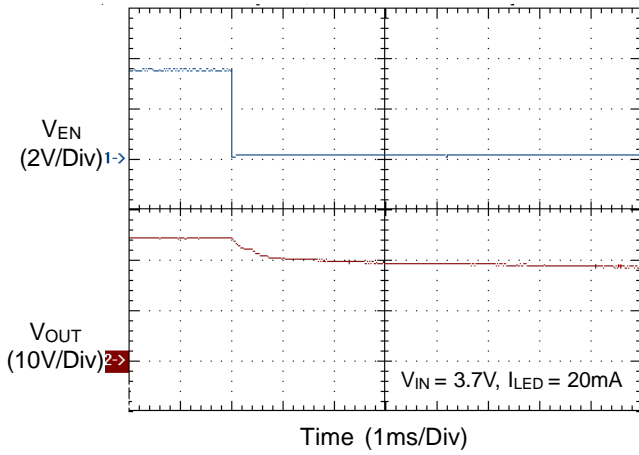
LED Current vs. Duty



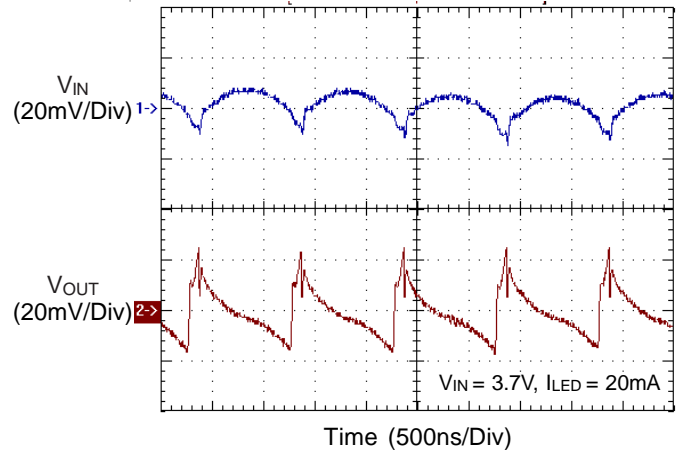
Power On from EN



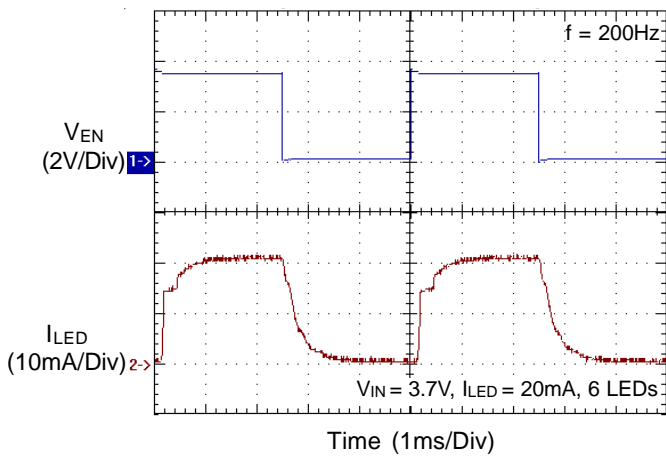
Power Off from EN



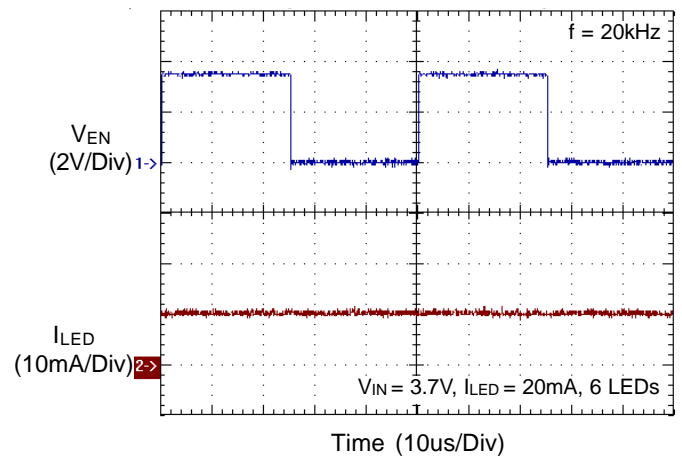
Ripple Voltage



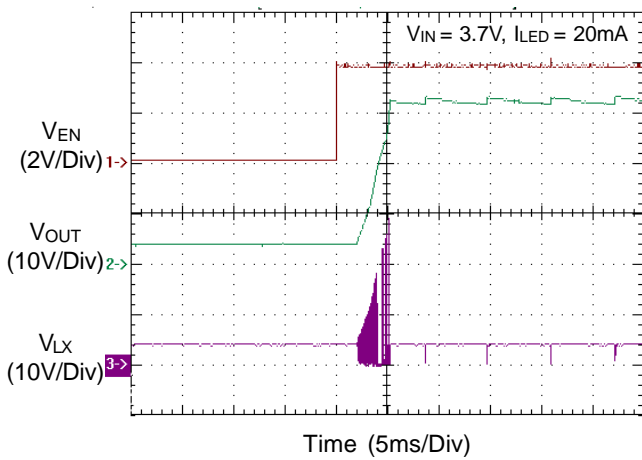
PWM Dimming from EN



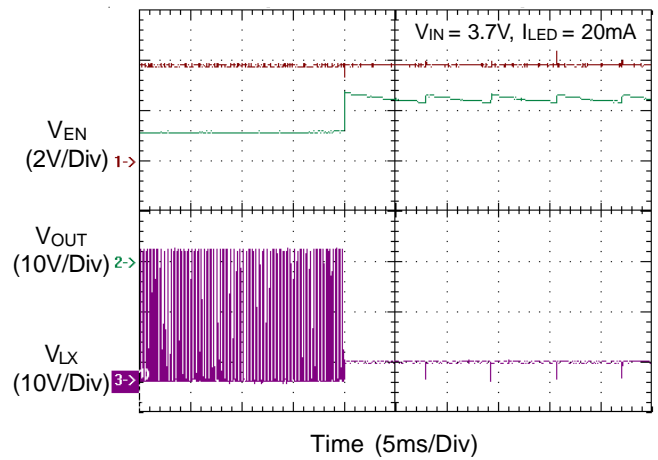
PWM Dimming from EN



LED Open Before Enable



LED Open During Operation



## Applications Information

### LED Current Setting

The loop of Boost structure will keep the FB pin voltage equal to the reference voltage  $V_{REF}$ . Therefore, when  $R_{SET}$  connects FB pin and GND, the current flows from  $V_{OUT}$  through LED and  $R_{SET}$  to GND will be decided by the current on  $R_{SET}$ , which is equal to following equation :

$$I_{LED} = \frac{V_{REF}}{R_{SET}}$$

### Dimming Control

#### a. Using a PWM Signal to EN Pin

For the brightness dimming control of the RT4526, the IC provides typically 300mV feedback voltage when the EN pin is pulled constantly high. However, EN pin allows a PWM signal to reduce this regulation voltage by changing the PWM duty cycle to achieve LED brightness dimming control. The EN pin must be pulled to high for 1 $\mu$ s at least before the PWM dimming control. The relationship between the duty cycle and FB voltage can be calculated as following equation :

$$V_{FB} = \text{Duty} \times 300\text{mV}$$

Where

Duty = duty cycle of the PWM signal

300mV = internal reference voltage

As shown in Figure 1, the duty cycle of the PWM signal is used to cut the internal 300mV reference voltage. An internal low pass filter is used to filter the pulse signal. And then the reference voltage can be made by connecting the output of the filter to the error amplifier for the FB pin voltage regulation.

However, the internal low pass filter 3db frequency is 500Hz. When the dimming frequency is lower than 500Hz,  $V_A$  is also a PWM signal and the LED current is controlled directly by this signal. When the frequency is higher than 500Hz, PWM is filtered by the internal low pass filter and the  $V_A$  approach a DC signal. And the LED current is a DC current which eliminate the audio noise. Two figures of PWM Dimming from EN are shown in Typical Operating Characteristics section and the PWM dimming frequency is 200Hz and 20kHz respectively.

For the RT4526, the minimum duty vs frequency is listed in following table.

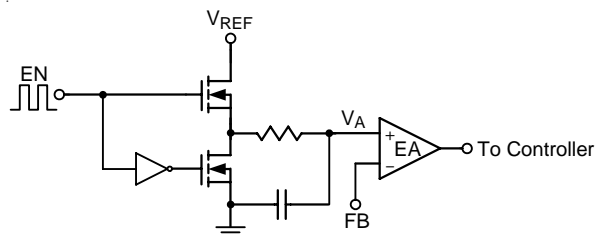


Figure 1. Block Diagram of Programmable FB Voltage Using PWM Signal

	Minimum Duty
Dimming frequency < 500Hz	4%
Dimming frequency > 500Hz	10%

#### b. Using a DC Voltage

Using a variable DC voltage to adjust the brightness is a popular method in some applications. The dimming control using a DC voltage circuit is shown in Figure 2. As the DC voltage increases, the current flows through  $R_3$  increasingly and the voltage drop on  $R_3$  increase, i.e. the LED current decreases. For example, if the  $V_{DC}$  range is from 0V to 2.8V and assume the RT4526 is selected which  $V_{REF}$  is equal to 0.3V, the selection of resistors in Figure 2 sets the LED current from 21mA to 0mA. The LED current can be calculated by the following equation :

$$I_{LED} = \frac{V_{REF} - \frac{R_3 \times (V_{DC} - V_{REF})}{R_4}}{R_{SET}}$$

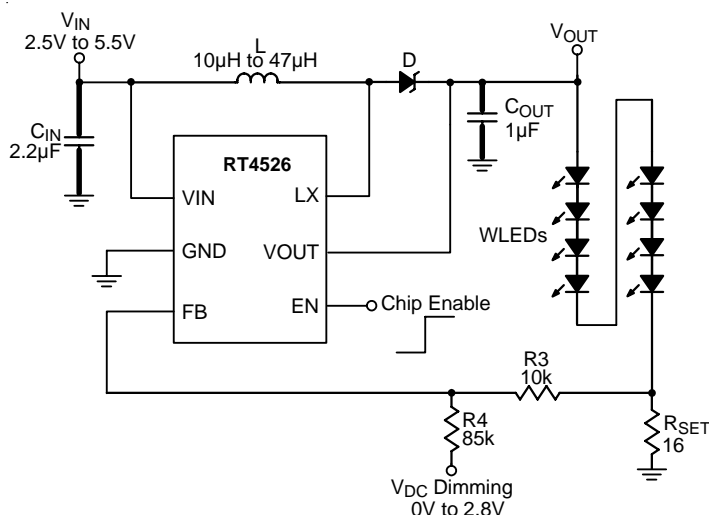


Figure 2. Dimming Control Using a DC Voltage



**c. Using a Filtered PWM signal**

Another common application is using a filtered PWM signal as an adjustable DC voltage for LED dimming control. A filtered PWM signal acts as the DC voltage to regulate the output current. The recommended application circuit is shown as Figure 3. In this circuit, the output ripple depends on the frequency of PWM signal. For smaller output voltage ripple (<100mV), the recommended frequency of 2.8V PWM signal should be above 2kHz. To fix the frequency of PWM signal and change the duty cycle of PWM signal can get different output current. The LED current can be calculated by the following equation :

$$I_{LED} = \frac{V_{REF} - \frac{R3 \times (V_{PWM} \times Duty - V_{REF})}{R4 + R_{DC}}}{R_{SET}}$$

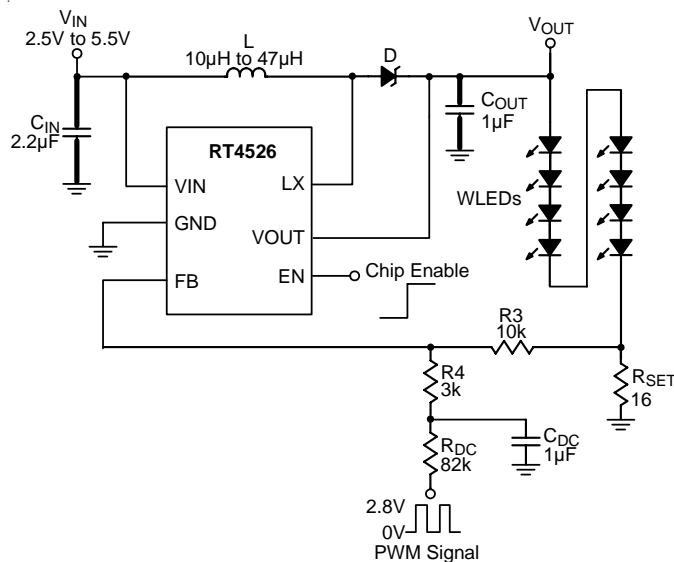


Figure 3. Dimming Control Using a Filtered PWM Signal

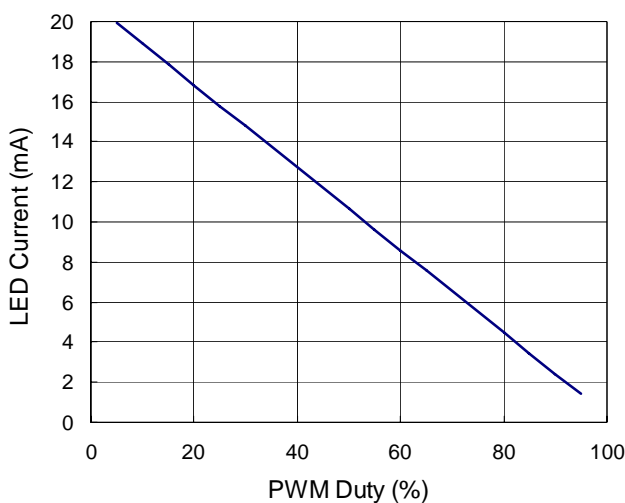


Figure 4. PWM Duty Cycle vs. LED Current

By the above equation and the application circuit shown in Figure 3, and assume the RT4526 is selected which VREF is equal to 0.3V. Figure 4 shows the relationship between the LED current and PWM duty cycle. For example, when the PWM duty is equal to 60%, the LED current will be equal to 8.6mA. When the PWM duty is equal to 40%, the LED current will be equal to 12.7mA.

**Constant Output Voltage Control**

The output voltage of the R4526 can be adjusted by the divider circuit on the FB pin. Figure 5 shows the application circuit for the constant output voltage. The output voltage can be calculated by the following equations :

$$V_{OUT} = V_{REF} \times \frac{R1 + R2}{R2} ; R2 > 10k$$

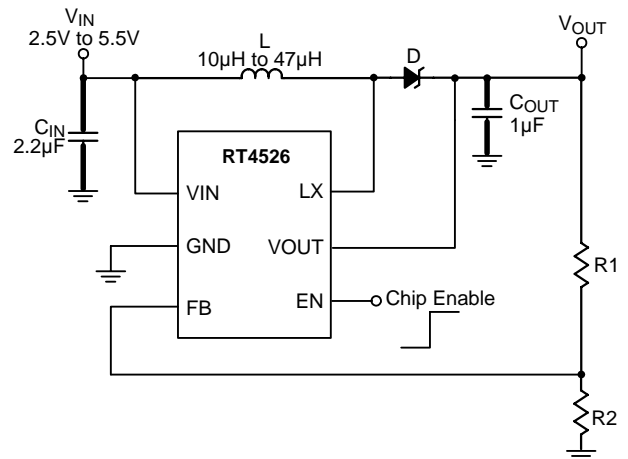


Figure 5. Constant Output Voltage Application

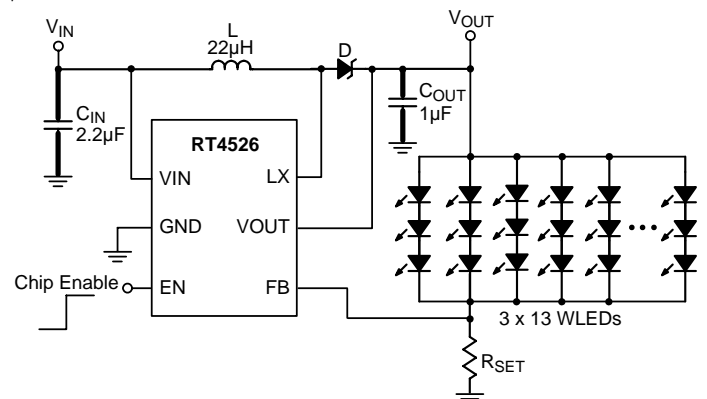


Figure 6. Application for Driving 3 x 13 WLEDs

### Application for Driving 3 x 13 WLEDs

The RT4526 can drive different WLEDs topology. For example, the Figure 6 shows the 3 x 13 WLEDs and total current is equal to 260mA. The total WLEDs current can be set by the  $R_{SET}$  which is equal to following equation :

$$I_{Total} = \frac{V_{REF}}{R_{SET}}$$

### Power Sequence

In order to assure the normal soft start function for suppressing the inrush current, the input voltage should be ready before EN pulls high.

### Soft-Start

The function of soft-start is made for suppressing the inrush current to an acceptable value at the beginning of power-on. The RT4526 provides a built-in soft-start function by clamping the output voltage of error amplifier so that the duty cycle of the PWM will be increased gradually in the soft-start period.

### Current Limiting

The current flow through inductor as charging period is detected by a current sensing circuit. As the value comes across the current limiting threshold, the N-MOSFET will be turned off so that the inductor will be forced to leave charging stage and enter discharging stage. Therefore, the inductor current will not increase over the current limiting threshold.

### OVP/UVLO/OTP

The Over Voltage Protection is detected by a junction breakdown detecting circuit. Once  $V_{OUT}$  goes over the detecting voltage, LX pin stops switching and the power N-MOSFET will be turned off. Then, the  $V_{OUT}$  will be clamped to be near  $V_{OVP}$ . As the output voltage is higher than a specified value or input voltage is lower than a specified value, the chip will enter protection mode to prevent abnormal function. As the die temperature is higher than 160°C, the chip also will enter protection mode. The power MOSFET will be turned off during protection mode to prevent abnormal operation.

### Inductor Selection

Small size and better efficiency are the major concerns for portable devices, such as the RT4526 used for mobile phone. The inductor value determines the operation frequency of the RT4526. Therefore, select the inductor value that ensures the operation frequency at the output maximum load current is not exceeded. The inductor value is calculated by the following formula :

$$L = \frac{V_{IN(MIN)} \times (V_{OUT} - V_{IN})}{I_P \times f_{OSC} \times V_{OUT}}$$

$I_P$  = Inductor peak current

L = Selected inductor value

$f_{OSC}$  = The operation frequency

$V_{IN(MIN)}$  = The minimum input voltage

In the same inductor package size, smaller inductor value supplies higher output current. However, it lowers the efficiency. So, it is very important to select a suitable inductor value and the inductor saturation current must meet the maximum peak current requirement of the converter. The best way to calculate the maximum available load current under certain operating conditions is to estimate the expected converter efficiency at the maximum load current. The maximum load current can be estimated as follows :

$$I_{LOAD(MAX)} = \eta \frac{I_P^2 \times L \times f_{OSC}}{2 \times (V_{OUT} - V_{IN})}$$

$I_P$  = Inductor peak current

L = Selected inductor value

$f_{OSC}$  = The operation frequency

$\eta$  = Expected converter efficiency

Finally, the inductor should have low core loss at operation frequency (1MHz) and low DCR for better efficiency. The recommended value of inductor for 6 WLEDs applications is from 10 $\mu$ H to 47 $\mu$ H.

### Capacitor Selection

For good input and output voltage filtering, low ESR ceramic capacitors are recommended. The ceramic capacitors should be accepting the input and output voltage range. X5R and X7R types are suitable because of their wider

voltage and temperature ranges. For output voltage filtering, it is recommended to use large capacitor value to reduce the output ripple. However, it will increase the cost and required PCB area. The output voltage ripple can be calculated as :

$$\Delta V_{OUT} = \frac{I_{OUT}}{C_{OUT}} \times \left( \frac{1}{f_{OSC}} - \frac{I_P \times L}{V_{OUT} + V_d - V_{IN}} \right) + I_P \times ESR$$

$I_P$  = Inductor peak current

$L$  = Selected inductor value

$f_{OSC}$  = The operation frequency

$I_{OUT}$  = Nominal load current

$V_d$  = Rectifier diode forward voltage (internal diode typically 0.7V)

$C_{OUT}$  = Selected output capacitor

ESR = Output capacitor ESR value

A 2.2μF/6.3V ceramic input capacitor and 1μF/50V ceramic output capacitor is sufficient for driving 6 series WLEDs.

**Thermal Considerations**

For continuous operation, do not exceed absolute maximum operation junction temperature. The maximum power dissipation depends on the thermal resistance of IC package, PCB layout, the rate of surroundings airflow and temperature difference between junction to ambient. The maximum power dissipation can be calculated by following formula :

$$P_{D(MAX)} = (T_{J(MAX)} - T_A) / \theta_{JA}$$

Where  $T_{J(MAX)}$  is the maximum operation junction temperature,  $T_A$  is the ambient temperature and the  $\theta_{JA}$  is the junction to ambient thermal resistance.

For the recommended operating conditions specification of RT4526, the maximum junction temperature of the die is 125°C. The junction to ambient thermal resistance  $\theta_{JA}$  is layout dependent. The junction to ambient thermal resistance for TSOT-23-6 package is 255°C/W on the standard JEDEC 51-3 single layer thermal test board. The maximum power dissipation at  $T_A = 25^\circ\text{C}$  can be calculated by following formula :

$$P_{D(MAX)} = (125^\circ\text{C} - 25^\circ\text{C}) / (255^\circ\text{C/W}) = 0.392\text{W for TSOT-23-6 package}$$

The maximum power dissipation depends on operating ambient temperature for fixed  $T_{J(MAX)}$  and thermal resistance  $\theta_{JA}$ . For RT4526 packages, the Figure 7 of derating curves allows the designer to see the effect of rising ambient temperature on the maximum power

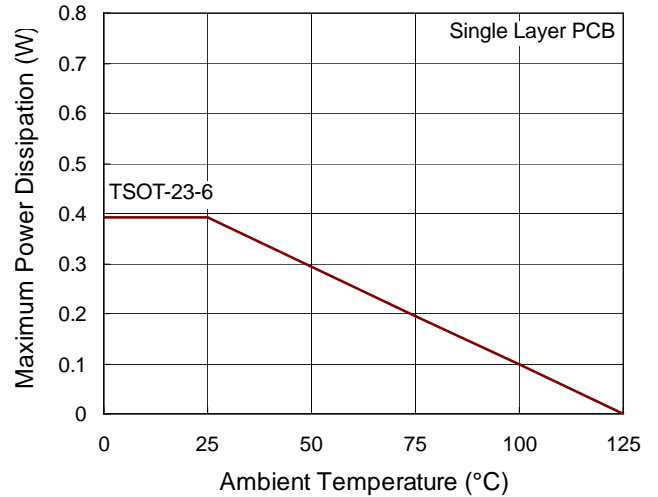


Figure 7. Derating Curves for RT4526 Packages

**Layout Consideration**

For best performance of the RT4526, the following guidelines must be strictly followed.

- ▶ Input and Output capacitors should be placed close to the IC and connected to ground plane to reduce noise coupling.
- ▶ The GND and Exposed Pad should be connected to a strong ground plane for heat sinking and noise protection.
- ▶ Keep the main current traces as short and wide as possible .
- ▶ LX node of DC/DC converter is with high frequency voltage swing. It should be kept at a small area.
- ▶ Place the feedback components as close as possible to the IC and keep them away from the noisy devices.

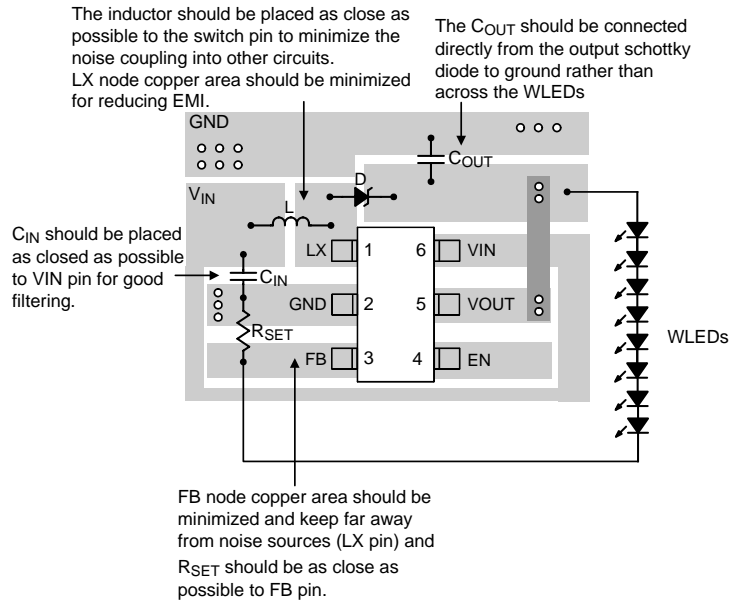
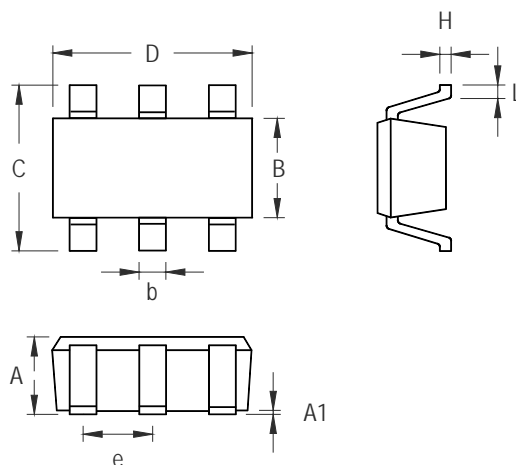


Figure 8. PCB Layout Guide

**Outline Dimension**



Symbol	Dimensions In Millimeters		Dimensions In Inches	
	Min	Max	Min	Max
A	0.700	1.000	0.028	0.039
A1	0.000	0.100	0.000	0.004
B	1.397	1.803	0.055	0.071
b	0.300	0.559	0.012	0.022
C	2.591	3.000	0.102	0.118
D	2.692	3.099	0.106	0.122
e	0.838	1.041	0.033	0.041
H	0.080	0.254	0.003	0.010
L	0.300	0.610	0.012	0.024

**TSOT-23-6 Surface Mount Package**

**Richtek Technology Corporation**

Headquarter  
 5F, No. 20, Taiyuen Street, Chupei City  
 Hsinchu, Taiwan, R.O.C.  
 Tel: (8863)5526789 Fax: (8863)5526611

**Richtek Technology Corporation**

Taipei Office (Marketing)  
 5F, No. 95, Minchiuan Road, Hsintien City  
 Taipei County, Taiwan, R.O.C.  
 Tel: (8862)86672399 Fax: (8862)86672377  
 Email: marketing@richtek.com

Information that is provided by Richtek Technology Corporation is believed to be accurate and reliable. Richtek reserves the right to make any change in circuit design, specification or other related things if necessary without notice at any time. No third party intellectual property infringement of the applications should be guaranteed by users when integrating Richtek products into any application. No legal responsibility for any said applications is assumed by Richtek.

## X-ON Electronics

Largest Supplier of Electrical and Electronic Components

*Click to view similar products for [LED Display Drivers](#) category:*

*Click to view products by [Richtek](#) manufacturer:*

Other Similar products are found below :

[MAP9000QNRH](#) [AP5726WUG-7](#) [AL8806QMP-13](#) [AP5726FDCG-7](#) [AS3693B-ZTQT](#) [AP5725WUG-7](#) [MAX139EQH+D](#) [STP16DP05PTR](#)  
[STP16CPP05PTR](#) [STP16CPP05XTTR](#) [LV5236VZ-TLM-H](#) [BP9911CC](#) [ZXLD1366QEN8TC](#) [MT7725D](#) [TX6143](#) [SY6813PEC](#) [SD1002L4](#)  
[AW3643CSR](#) [MP3370GN-Z](#) [LA2284L-G09-T](#) [SEDA](#) [SCT2027CSSG](#) [LYT3315D](#) [LYT3324D](#) [LYT4211E2](#) [LYT4214E2](#) [LYT4215E2](#)  
[LYT4217E2](#) [LYT4218E2](#) [LYT4222E](#) [LYT4317E2](#) [LYT4321E](#) [LYT4323E](#) [LYT4324E3](#) [LYT4326E3](#) [TPS92020DR](#) [TPS92691PWPR](#)  
[BCR420U](#) [HV9801ALG-G](#) [IS31FL3199-QFLS2-TR](#) [IS31FL3731-QFLS2-TR](#) [CAT4238TD](#) [SCT2001ASIG](#) [SCT2024CSTG](#) [SCT2167CSOG](#)  
[SCT2167CSSG](#) [STP16CPPS05XTTR](#) [TLE4241GMFUMA1](#) [ICM7212MIQH+D](#) [ICM7212AIQH+D](#)