

Programmable Burst Switching Green Mode/Burst Mode Level Flyback Controller

General Description

The RT7737 series are enhanced high efficient PWM flyback controller with proprietary SmartJitter™ technology. The innovative SmartJitter™ technology not only reduces the EMI emissions of SMPS when the system enters burst switching green mode, but also eliminates the output jittering ripple. Also, the RT7737 series feature programmable burst switching green mode and burst mode level for adopting different application requirements to optimize the product performance. To meet the stringent trend toward performance, the RT7737 series are the best choice for product designers.

The RT7737 is available in SOT-23-6 package. It is a current mode PWM controller providing comprehensive protection functions, including an input Under-Voltage Lockout (UVLO), a VDD Over-Voltage Protection (OVP), an Over-Load Protection (OLP), a Secondary Rectifier Sort Protection (SRSP), a CS pin open protection and a cycle-by-cycle current limit. With the above features, the RT7737 is a cost-effective and compact solution for AC/DC products.

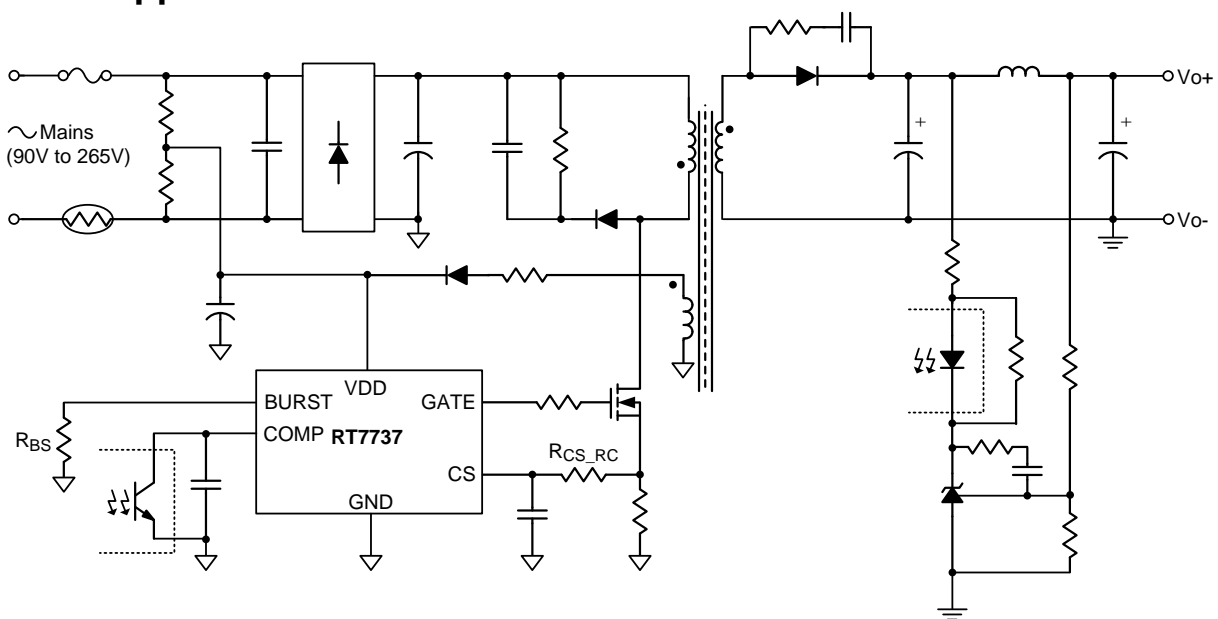
Features

- **Proprietary SmartJitter™ Technology**
 - ▶ Reducing EMI Emissions of SMPS
 - ▶ Output Jittering Ripple Elimination
- **Programmable Burst Switching Green Mode Level**
- **Programmable Burst Mode Level**
- **Accurate Over Load Protection**
- **Driver Capability : 200mA/–300mA**
- **High Noise Immunity**

Applications

- Switching AC/DC Adaptor
- DVD Open Frame Power Supply
- Set-Top Box (STB)
- ATX Standby Power
- TV/Monitor Standby Power
- PC Peripherals
- NB Adaptor

Simplified Application Circuit



X-ON Electronics

Largest Supplier of Electrical and Electronic Components

Click to view similar products for [Switching Controllers](#) category:

Click to view products by [Richtek](#) manufacturer:

Other Similar products are found below :

[LV5725JAZ-AH](#) [AP3844CMTR-E1](#) [NCP1218AD65R2G](#) [NCP1234AD100R2G](#) [NCP1244BD065R2G](#) [NCP1336ADR2G](#) [NCP6153MNTWG](#)
[NCP81101BMNTXG](#) [NCP81205MNTXG](#) [CAT874-80ULGT3](#) [SJE6600](#) [AZ7500BMTR-E1](#) [IR35215MTRPBF](#) [SG3845DM](#)
[NCP4204MNTXG](#) [NCP6132AMNR2G](#) [NCP81102MNTXG](#) [NCP81203MNTXG](#) [NCP81206MNTXG](#) [NX2155HCUPTR](#) [UBA2051C](#)
[IR35201MTRPBF](#) [AP3842CMTR-E1](#) [NCP1247AD065R2G](#) [NCP1015ST65T3G](#) [NCP1240AD065R2G](#) [NCP1240FD065R2G](#)
[NCP1361BABAYSNT1G](#) [NCP1230P100G](#) [NCP1612BDR2G](#) [NX2124CSTR](#) [SG2845M](#) [NCP1366BABAYDR2G](#) [NCP81101MNTXG](#)
[TEA19362T/1J](#) [NCP81174NMNTXG](#) [NCP4308DMTTWG](#) [NCP4308DMNTWG](#) [NCP4308AMTTWG](#) [NCP1366AABAYDR2G](#)
[NCP1256ASN65T1G](#) [NCP1251FSN65T1G](#) [NCP1246BLD065R2G](#) [MB39A136PFT-G-BND-ERE1](#) [NCP1256BSN100T1G](#) [LV5768V-A-](#)
[TLM-E](#) [NCP1365BABCYDR2G](#) [NCP1365AABCYDR2G](#) [IR35204MTRPBF](#) [MCP1633T-E/MG](#)