

Dual-Phase PWM Controller with PWM-VID Reference

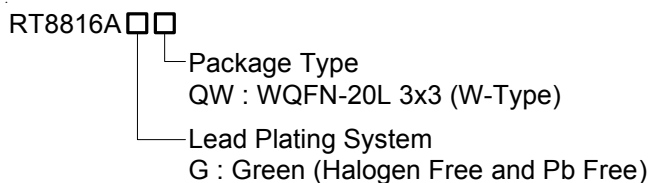
General Description

The RT8816A is a 2/1 phase synchronous Buck PWM controller which is optimized for high performance graphic microprocessor and support nVidia OVR2 spec with PWM-VID interface. The IC integrates a Constant-On-Time (COT) PWM controller, two MOSFET drivers with internal bootstrap diodes, as well as channel current balance and protection functions including Over-Voltage Protection (OVP), Under-Voltage Protection (UVP), current limit, and thermal shutdown into the WQFN-20L 3x3 package.

The RT8816A adopts $R_{DS(ON)}$ current sensing technique. Current limit is accomplished through continuous inductor-current-sense, while $R_{DS(ON)}$ current sensing is used for accurate channel current balance. Using the method of current sampling utilizes the best advantages of each technique.

The RT8816A features external reference input and PWM-VID dynamic output voltage control, in which the feedback voltage is regulated and tracks external input reference voltage. Other features include adjustable switching frequency, dynamic phase number control, internal soft-start, power good indicator, and enable functions.

Ordering Information

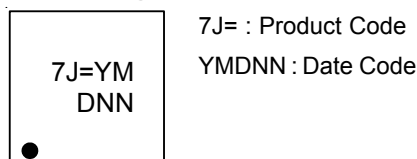


Note :

Richtek products are :

- ▶ RoHS compliant and compatible with the current requirements of IPC/JEDEC J-STD-020.
- ▶ Suitable for use in SnPb or Pb-free soldering processes.

Marking Information



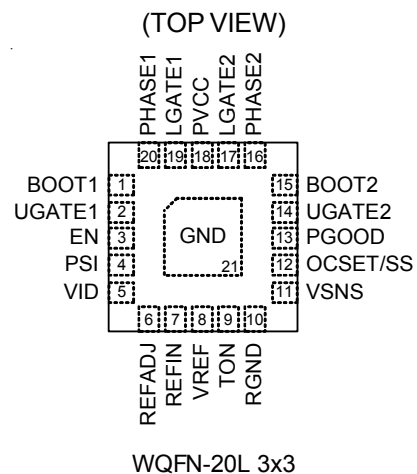
Features

- Dual-Phase PWM Controller
- Power State Indicator
 - ▶ 1P-CCM/2P-CCM/1P-DEM/2P-DEM
- Two Embedded MOSFET Drivers and Embedded Switching Boot Diode
- Support 1.8V PWM-VID Interface
- External Reference Input Control
- PWM-VID Dynamic Voltage Control
- Dynamic Phase Number Control
- Lossless $R_{DS(ON)}$ Current Sensing for Current Balance
- Internal/External Soft-Start
- Adjustable Current Limit Threshold
- Adjustable Switching Frequency
- UVP/OVP Protection
- Shoot Through Protection and Short Pulse Free Technology
- Support an Ultra-Low Output Voltage as Standby Voltage
- Thermal Shutdown
- Power Good Indicator (EN to PG high = 500μs)

Applications

- CPU/GPU Core Power Supply
- Desktop PC Memory, VTT Power
- Chipset/RAM Power Supply
- Generic DC-DC Power Regulator

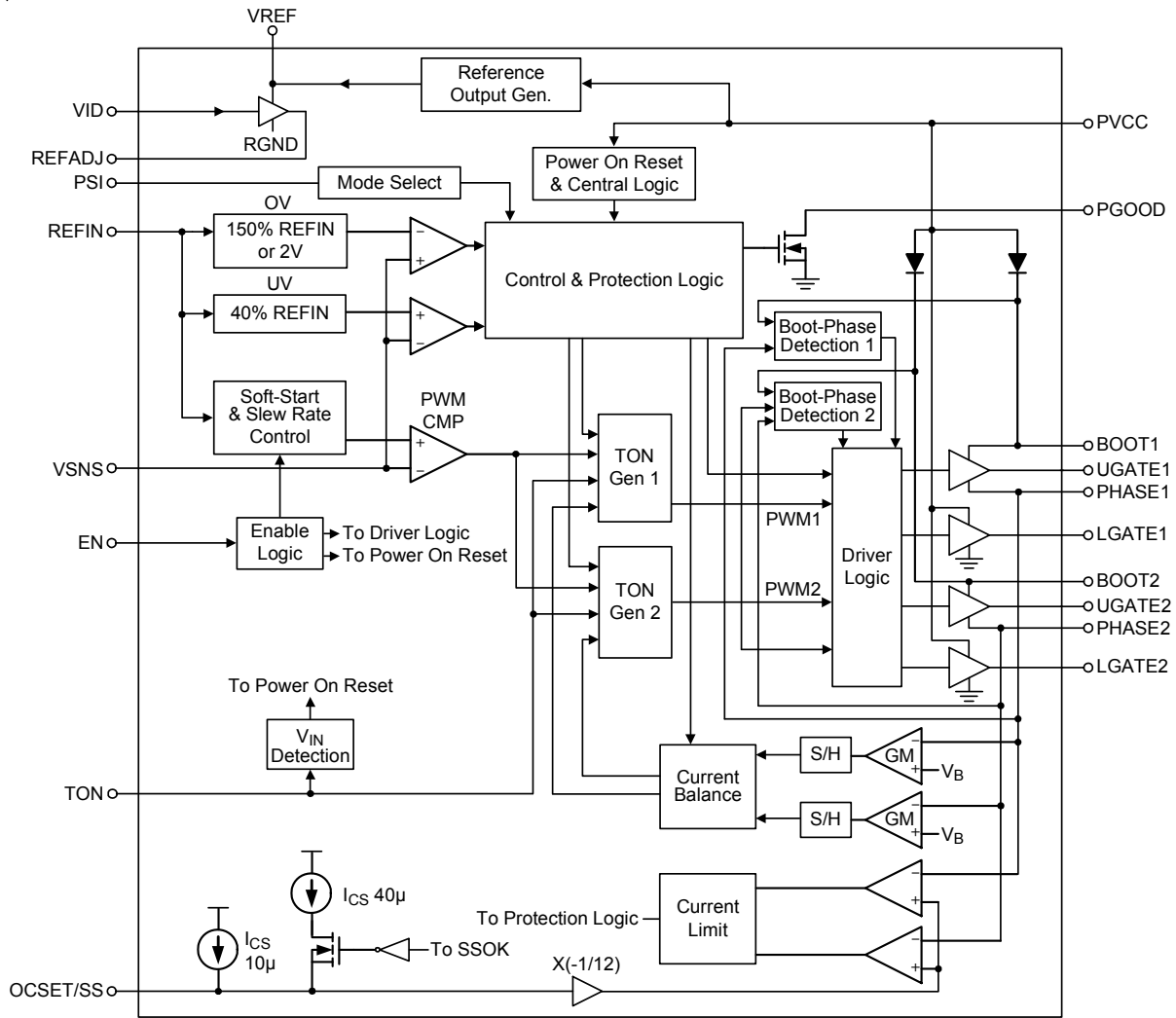
Pin Configuration



Functional Pin Description

Pin No.	Pin Name	Pin Function
1	BOOT1	Bootstrap supply for PWM1. This pin powers the high-side MOSFET driver.
2	UGATE1	High-side gate driver of PWM1. This pin provides the gate drive for the converter's high-side MOSFET. Connect this pin to the gate of high-side MOSFET.
3	EN	Enable control input. Active high input. When PVCC POR, the input voltage must not be over PVCC.
4	PSI	Power saving interface. When the voltage is pulled below 0.4V, the device operates into 1 phase DEM. When the voltage is between 0.7V to 0.88V, the device operates into 1 phase forced CCM. When the voltage is between 1.08V to 1.35V, the device operates into 2 phase DEM. When the voltage is between 1.6V to 5.5V, the device operates into 2 phase forced CCM.
5	VID	Programming output voltage control input. Refer to PWM-VID Dynamic Voltage Control.
6	REFADJ	Reference adjustment output. Refer to PWM-VID Dynamic Voltage Control.
7	REFIN	External reference input.
8	VREF	Reference voltage output. This is a high precision voltage reference (2V) from the VREF pin to RGND pin.
9	TON	On-time/switching frequency adjustment input. Connecting a 100pF ceramic capacitor between C _{TON} and ground is optional for noise immunity enhancement.
10	RGND	Negative remote sense input. Connect this pin to the ground of output load.
11	VSNS	Positive remote sense input. Connect this pin to the positive terminal of output load.
12	OCSET/SS	Current limit setting. Connect a resistor from OCSET/SS to GND to set the current limit threshold. The external soft start time also can be set through by connecting a capacitor from OCSET/SS pin to GND.
13	PGOOD	Power good indicator output. Active high open-drain output.
14	UGATE2	High-side gate driver of PWM2. This pin provides the gate drive for the converter's high-side MOSFET. Connect this pin to the gate of high-side MOSFET.
15	BOOT2	Bootstrap supply for PWM2. This pin powers the high-side MOSFET driver.
16	PHASE2	Switch node for PWM2. This pin is return node of the high-side driver of PWM 2. Connect this pin to the source of high-side MOSFET together with the drain of low-side MOSFET and the inductor.
17	LGATE2	Low-side gate driver of PWM2. This pin provides the gate drive for the converter's low-side MOSFET. Connect this pin to the gate of low-side MOSFET.
18	PVCC	Supply voltage input. Connect this pin to a 5V bias supply. Place a high quality bypass capacitor from this pin to GND.
19	LGATE1	Low-side gate driver of PWM1. This pin provides the gate drive for the converter's low-side MOSFET. Connect this pin to the gate of low-side MOSFET.
20	PHASE1	Switch node for PWM1. This pin is return node of the high-side driver of PWM 1. Connect this pin to the Source of high-side MOSFET together with the drain of low-side MOSFET and the inductor.
21 (Exposed Pad)	GND	Ground. The Exposed pad should be soldered to a large PCB and connected to GND for maximum thermal dissipation.

Functional Block Diagram



Operation

The RT8816A is a dual-phase synchronous Buck PWM controller with integrated drivers which are optimized for high performance graphic microprocessor and computer applications. The IC integrates a COT (Constant-On-Time) PWM controller with two MOSFET drivers, as well as output current monitoring and protection functions. Referring to the function block diagram of TONGenx, the synchronous UGATE driver is turned on at the beginning of each cycle. After the internal one-shot timer expires, the UGATE driver is turned off. The pulse width of this one-shot is determined by the converter's input voltage and the output voltage to keep the frequency fairly constant over the input voltage range and output voltage. Another one-shot sets a minimum off-time.

The RT8816A also features a PWM-VID dynamic voltage control circuit driven by the pulse width modulation method. This circuit reduces the device pin count and enables a wide dynamic voltage range.

Soft-Start (SS)

For soft-start function, an internal current source charges an internal capacitor to build the soft-start ramp voltage. The output voltage will track the internal ramp voltage during soft-start interval.

PGOOD

The power good output is an open-drain architecture.

When the soft-start is finished, the PGOOD open-drain output is high impedance.

Current Balance

The RT8816A implements internal current balance mechanism in the current loop. The RT8816A senses per phase current and compares it with the average current. If the sensed current of any particular phase is higher than average current, the on-time of this phase is adjusted to be shorter.

Current Limit

The current limit circuit employs a unique "valley" current sensing algorithm. If the magnitude of the current sense signal at PHASE is above the current limit threshold, the PWM is not allowed to initiate a new cycle. Thus, the current to the load exceeds average output inductor current, the output voltage falls and eventually crosses the under-voltage protection threshold, inducing IC shutdown.

Over-Voltage Protection (OVP) & Under-Voltage Protection (UVP)

The output voltage is continuously monitored for over-voltage and under-voltage protection. When the output voltage exceeds its set voltage threshold (If $V_{REFIN} \leq 1.33V$, $OV = 2V$, or $V_{REFIN} > 1.33V$, $OV = 1.5 \times V_{REFIN}$), UGATE goes low and LGATE is forced high; when it is less than 40% of its set voltage, under voltage protection is triggered and then both UGATE and LGATE gate drivers are forced low. The controller is latched until PVCC is re-supplied and exceeds the POR rising threshold voltage or EN is reset.

Absolute Maximum Ratings (Note 1)

• TON to GND	-----	-0.3V to 30V
• RGND to GND	-----	-0.7V to 0.7V
• BOOTx to PHASEx		
DC	-----	-0.3V to 6V
<100ns	-----	-5V to 7.5V
• BOOTx to GND		
DC	-----	-0.3V to 36V
<100ns	-----	-5V to 42V
• PHASEx to GND		
DC	-----	-5V to 30V
<100ns	-----	-10V to 42V
• UGATEx to GND		
DC	-----	-5V to 36V
<100ns	-----	-10V to 42V
• UGATEx to PHASEx		
DC	-----	-0.3V to 6V
<100ns	-----	-5V to 7.5V
• LGATEx to GND		
DC	-----	-0.3V to 6V
<100ns	-----	-5V to 7.5V
• Other Pins	-----	-0.3V to 6.5V
• Power Dissipation, P_D @ $T_A = 25^\circ\text{C}$		
WQFN-20L 3x3	-----	2.67W
• Package Thermal Resistance (Note 2)		
WQFN-20L 3x3, θ_{JA}	-----	30°C/W
WQFN-20L 3x3, θ_{JC}	-----	7.5°C/W
• Lead Temperature (Soldering, 10 sec.)	-----	260°C
• Junction Temperature	-----	150°C
• Storage Temperature Range	-----	-65°C to 150°C
• ESD Susceptibility (Note 3)		
HBM (Human Body Model)	-----	2kV

Recommended Operating Conditions (Note 4)

• Input Voltage, V_{IN}	-----	2.5V to 26V
• Supply Voltage, $PVCC$	-----	4.5V to 5.5V
• Junction Temperature Range	-----	-10°C to 105°C

Electrical Characteristics

($V_{PVCC} = 5V$, typical values are referenced to $T_A = T_J = 25^\circ C$, Min and Max values are referenced to $T_A = T_J$ from $-10^\circ C$ to $105^\circ C$, unless other noted)

Parameter	Symbol	Test Conditions	Min	Typ	Max	Unit
PWM Controller						
PVCC Supply Voltage	V_{PVCC}		4.5	--	5.5	V
PVCC Supply Current	I_{SUPPLY}	$V_{EN} = 3.3V$, 1phase DEM mode, not switching, V_{REF} external $R = 40k$	--	0.4	--	mA
PVCC Shutdown Current	I_{SHDN}	$V_{EN} = 0V$	--	--	10	μA
PVCC POR Threshold			3.8	4.1	4.4	V
POR Hysteresis			--	0.3	--	V
Switching Frequency	f_{SW}	$R_{TON} = 500k\Omega$ (Note 5)	270	300	330	kHz
Minimum On-Time	$t_{ON(MIN)}$		--	70	--	ns
Minimum Off-Time	$t_{OFF(MIN)}$		--	300	--	ns
EN Input Voltage						
EN Input Voltage	Logic-High	V_{EN_H}	1.2	--	5.5	V
	Logic-Low	V_{EN_L}	--	--	0.55	
Mode Decision						
2 Phase CCM	V_{PSI}		1.6	1.8	5.5	V
2 Phase DEM	V_{PSI}		1.08	1.2	1.35	V
1 Phase CCM	V_{PSI}		0.7	0.8	0.88	V
1 Phase DEM	V_{PSI}		--	0	0.4	V
PWM-VID Input Voltage for 1.8V GPIO Setting						
PWM-VID Input Voltage Logic H	$V_{PWM-VID_H}$		1.2	--	--	V
PWM-VID Input Voltage Logic L	$V_{PWM-VID_L}$		--	--	0.6	V
PWM-VID Tri-state Voltage	$V_{PWM-VID_Tri}$		0.8	--	1	V
Protection Function						
Zero Current Crossing Threshold			-8	--	8	mV
Current Limit Setting Current	I_{OCSET}	$T_A = T_J = 25^\circ C$	9	10	11	μA
Current Limit Setting Current Temperature Coefficient	I_{OCSET_TC}		--	4700	--	ppm/ $^\circ C$
Current Limit Threshold		$R_{OCSET} = 120k$	--	100	--	mV
Absolute Over-Voltage Protection Threshold	$V_{OVP, Absolute}$	$V_{REFIN} \leq 1.33V$	1.9	2	2.1	V
Relative Over-Voltage Protection Threshold	$V_{OVP, Relative}$	$V_{REFIN} > 1.33V$	145	150	155	%
OV Fault Delay		FB forced above OV threshold	--	5	--	μs
Relative Under-Voltage Protection Threshold	V_{UVP}	UVP	35	40	45	%
UV Fault Delay		FB forced above UV threshold	--	3	--	μs

Parameter	Symbol	Test Conditions	Min	Typ	Max	Unit
Thermal Shutdown Threshold	T _{SD}		--	150	--	°C
V _{OUT} Soft-Start (PGOOD Blanking Time)		From V _{EN} = high to V _{OUT} regulation point, V _{REFIN} = 1V	--	0.5	--	ms
Error Amplifier						
VSNS Error Comparator Threshold (Valley)		V _{REFIN} = 1V	-11	-6	-1	mV
Reference						
Reference Voltage	V _{VREF}	Sourcing current = 1mA, VID no switching	1.98	2	2.02	V
Driver On-Resistance						
UGATE Driver Source	R _{UGATEsr}	BOOTx – PHASEx forced to 5V	--	2	4	Ω
UGATE Driver Sink	R _{UGATEsk}	BOOTx – PHASEx forced to 5V	--	1	2	Ω
LGATE Driver Source	R _{LGATEsr}	LGATEx, high state	--	1.5	3	Ω
LGATE Driver Sink	R _{LGATEsk}	LGATEx, low state	--	0.7	1.5	Ω
Dead-Time		From LGATE falling to UGATE rising	--	30	--	ns
		From UGATE falling to LGATE rising	--	20	--	
Internal Boost Diode Resistance	R _{BOOT}	PVCC to BOOTx, I _{BOOT} = 10mA	--	80	--	Ω

Note 1. Stresses beyond those listed under “Absolute Maximum Ratings” may cause permanent damage to the device. These are stress ratings only, and functional operation of the device at these or any other conditions beyond those indicated in the operational sections of the specifications is not implied. Exposure to absolute maximum rating conditions may affect device reliability.

Note 2. θ_{JA} is measured under natural convection (still air) at T_A = 25°C with the component mounted on a high effective-thermal-conductivity four-layer test board on a JEDEC 51-7 thermal measurement standard. θ_{JC} is measured at the exposed pad of the package.

Note 3. Devices are ESD sensitive. Handling precautions are recommended.

Note 4. The device is not guaranteed to function outside its operating conditions.

Note 5. Not production tested. Test condition is V_{IN} = 8V, V_{OUT} = 1V, I_{OUT} = 20A using application circuit.

Typical Application Circuit

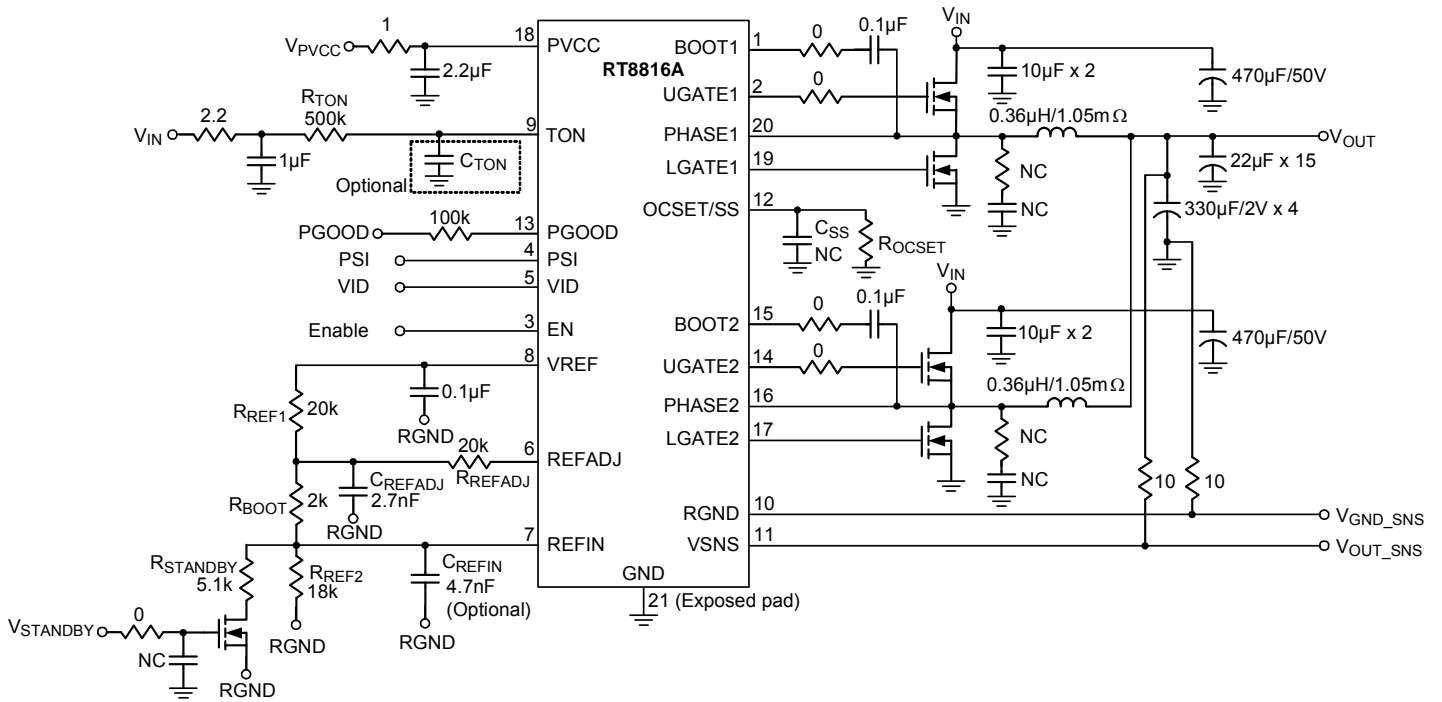


Figure 1. 2 Active Phase Configuration

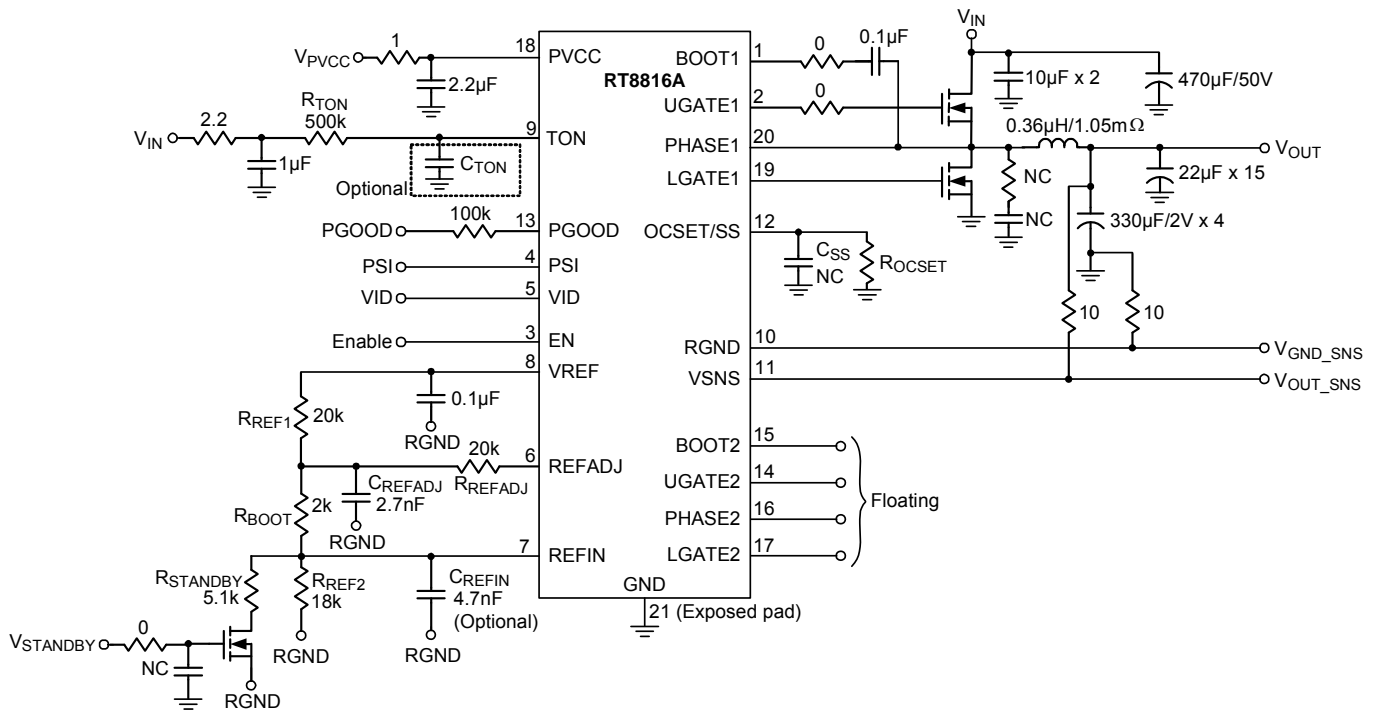
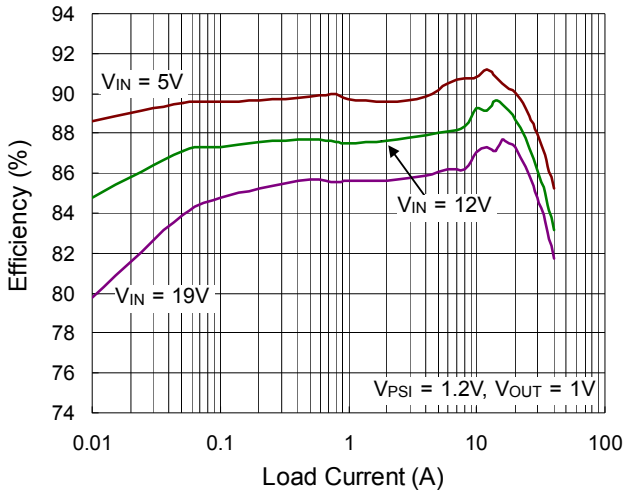


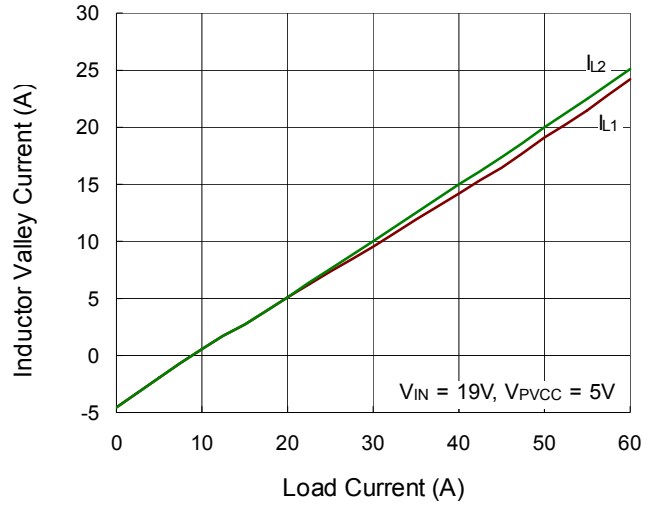
Figure 2. 1 Active Phase Configuration

Typical Operating Characteristics

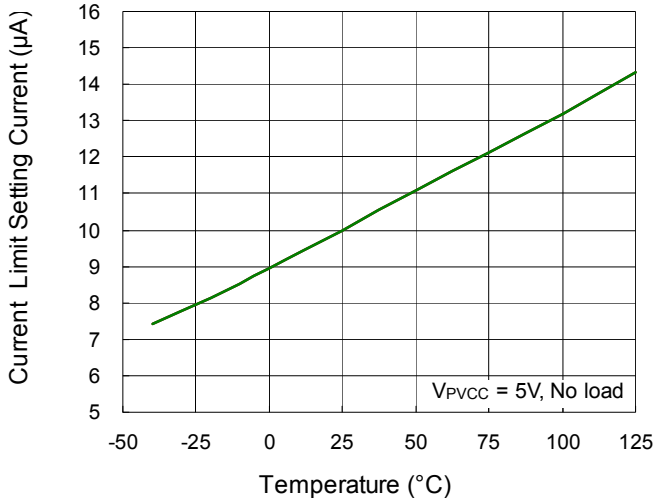
Efficiency vs. Load Current



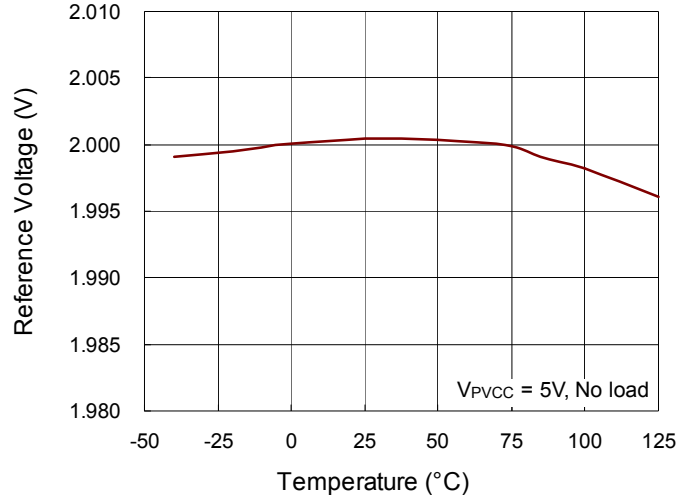
Inductor Valley Current vs. Load Current



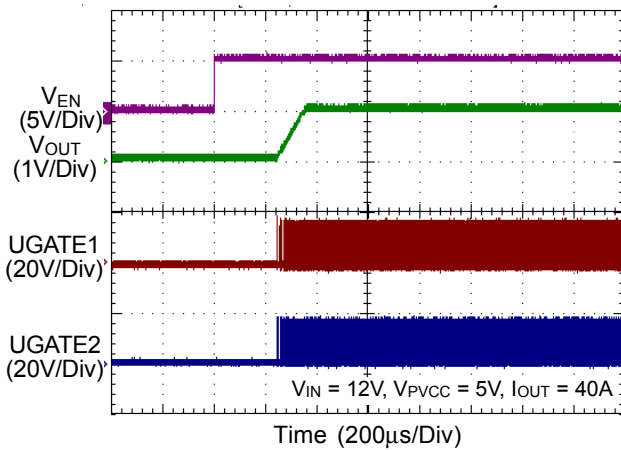
Current Limit Setting Current vs. Temperature



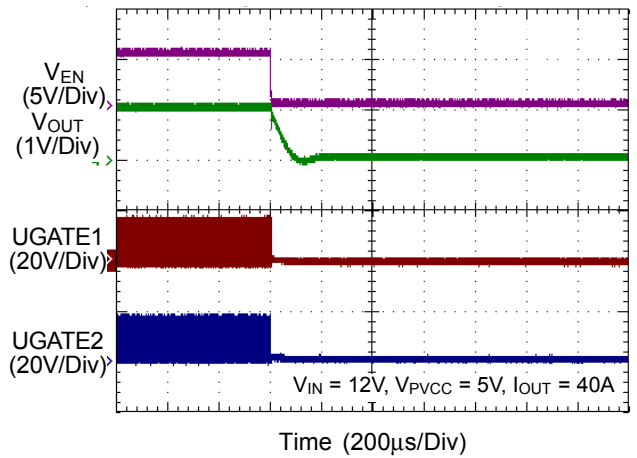
Reference Voltage vs. Temperature



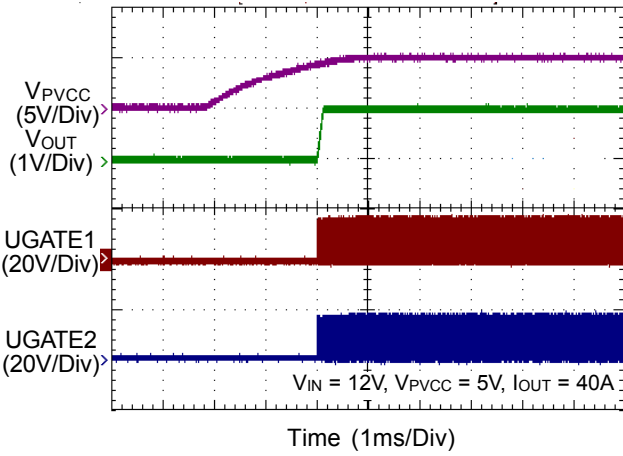
Power On from EN



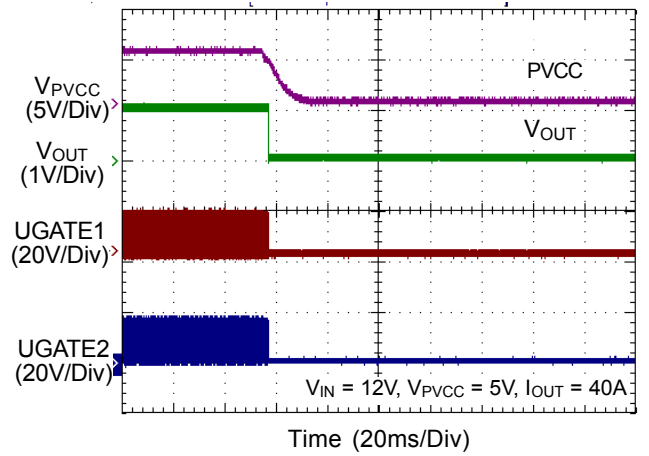
Power Off from EN



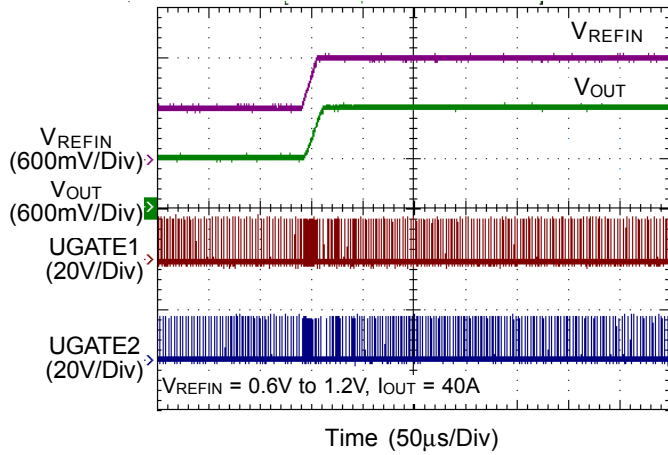
Power On from PVCC



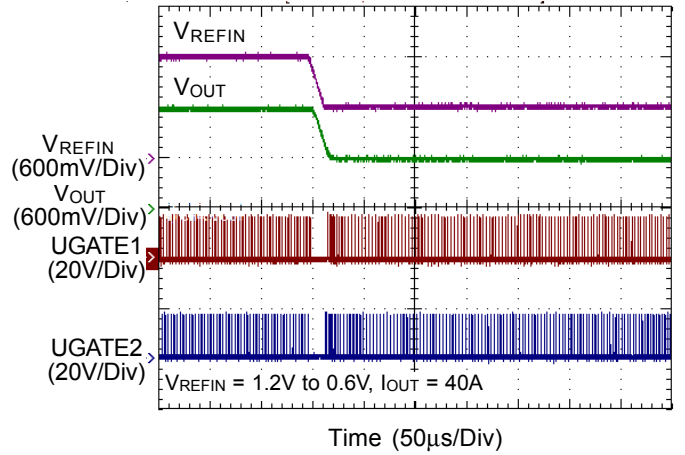
Power Off from VCC



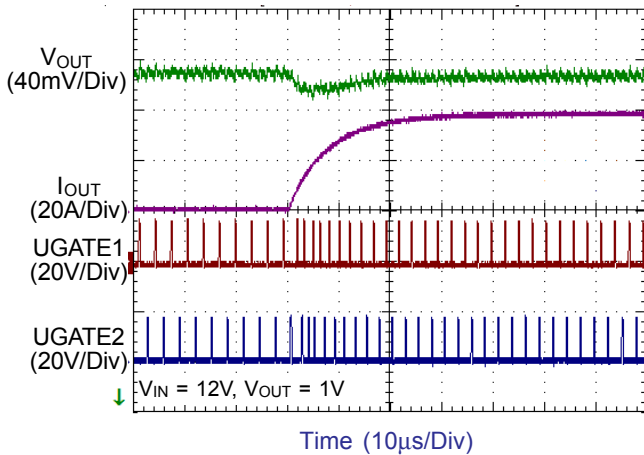
Dynamic Output Voltage Control



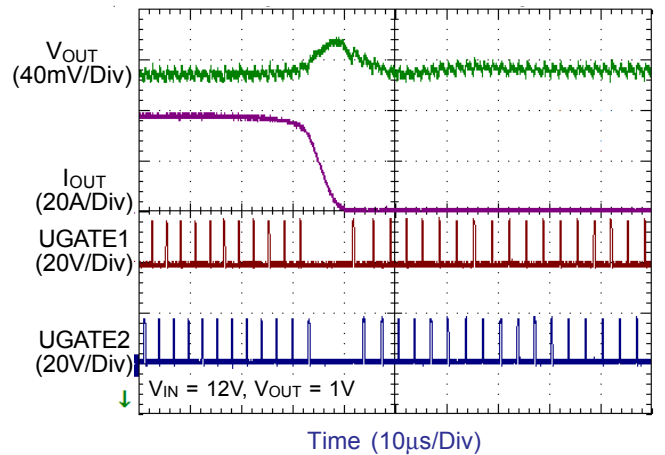
Dynamic Output Voltage Control



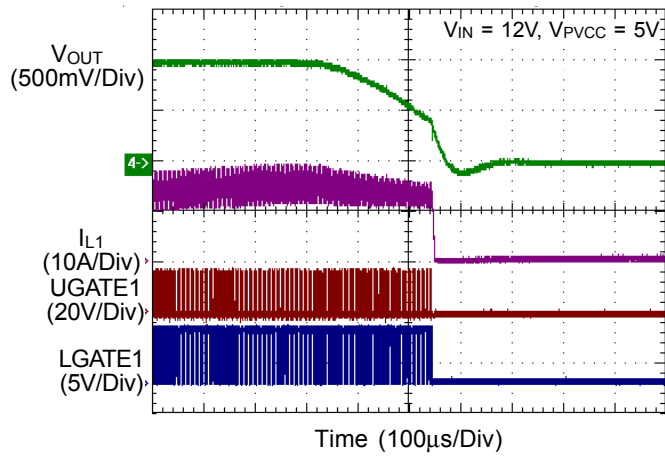
Load Transient Response



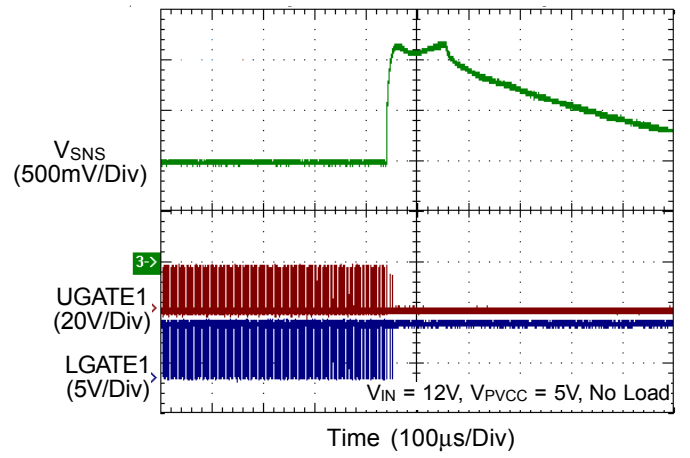
Load Transient Response



Current Limit and UVP



OVP



Application Information

The RT8816A is a dual-phase synchronous Buck PWM controller with integrated drivers which is optimized for high performance graphic microprocessor and computer applications. A COT (Constant-On-Time) PWM controller and two MOSFET drivers with internal bootstrap diodes are integrated so that the external circuit can be easily designed and the number of component is reduced.

The topology solves the poor load transient response timing problems of fixed-frequency mode PWM and avoids the problems caused by widely varying switching frequencies in conventional constant on-time and constant off-time PWM schemes. The IC supports dynamic mode transition function with various operating states, which include single phase with CCM, dual-phase with CCM, single phase with diode emulation mode and dual-phase with diode emulation mode operation. These different operating states make the system efficiency as high as possible.

The RT8816A provides a PWM-VID dynamic control operation in which the feedback voltage is regulated and tracks external input reference voltage. It also features complete fault protection functions including over voltage, under voltage and current limit.

Remote Sense

The RT8816A uses the remote sense path (VSNS and RGND) to overcome voltage drops in the power lines by sensing the voltage directly at the end of GPU. Normally, to protect remote sense path disconnecting, there are two resistors (R_{Local}) connecting between local sense path and remote sense path. That is, in application with remote sense, the R_{Local} is recommended to be 10Ω to 100Ω . If no need of remote sense, the R_{Local} is recommended to be 0Ω .

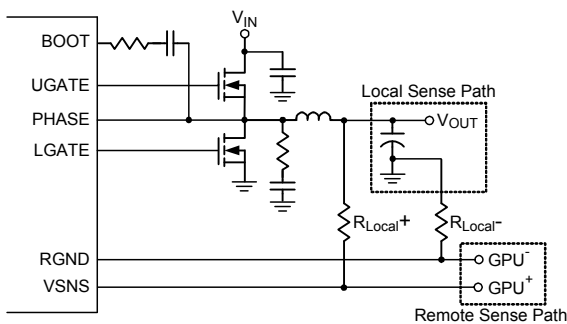


Figure 3. Output Voltage Sensing

PWM Operation

The RT8816A integrates a Constant-On-Time (COT) PWM controller, and the controller provides the PWM signal which relies on the output ripple voltage comparing with internal reference voltage as shown in Figure 4. Referring to the function block diagram of TON Genx, the synchronous UGATE driver is turned on at the beginning of each cycle. After the internal one-shot timer expires, the UGATE driver is turned off. The pulse width of this one-shot is determined by the converter input voltage and the output voltage to keep the frequency fairly constant over the input voltage and output voltage range. Another one-shot sets a minimum off-time.

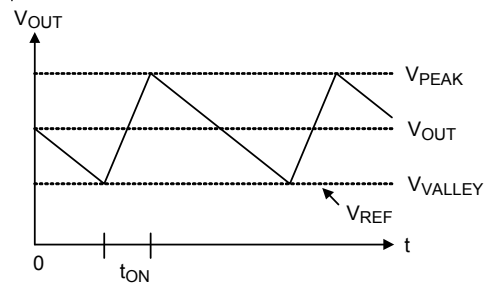


Figure 4. Constant On-Time PWM Control

On-Time Control

The on-time one-shot comparator has two inputs. One input monitors the output voltage, while the other input samples the input voltage and converts it to a current. This input voltage proportional current is used to charge an internal on-time capacitor. The on-time is the time required for the voltage on this capacitor to charge from zero volts to V_{OUT} , thereby making the on-time of the high-side switch directly proportional to output voltage and inversely proportional to input voltage. The implementation results in a nearly constant switching frequency without the need for a clock generator.

$$T_{ON} = \frac{2 \times V_{OUT} \times 3.2p}{V_{IN} - 0.5} \times R_{TON}$$

and then the switching frequency F_S is :

$$F_S = V_{OUT} / (V_{IN} \times T_{ON})$$

R_{TON} is a resistor connected from the V_{IN} to TON pin.

The recommended operation frequency range is from 250kHz to 750kHz.

Active Phase Circuit Setting

The RT8816A can be set for 2 phase or 1 phase operation by hardware circuit. When set to 1 phase operation, UGATE2, BOOT2, PHASE2, LGATE2 pins are floating, and the voltage of PSI pin must be set to the 1 phase operation threshold. Refer to Table 1 for detail.

Mode Selection

The RT8816A can operate into 2 phases with forced CCM, 1 phase with forced CCM, 1 phase with DEM and 2 phases with DEM according to PSI voltage setting. If PSI voltage is pulled below 0.4V, the controller operates into 1 phase with DEM. In DEM operation, the RT8816A automatically reduces the operation frequency at light load condition for saving power loss. If PSI voltage is pulled between 0.7V to 0.88V, the controller switches operation into 1 phase with forced CCM. If PSI voltage is pulled between 1.08V to 1.35V, the controller switches operation into 2 phase with DEM. If PSI voltage is pulled between 1.6V to 5.5V, the controller switches operation into 2 phase with forced CCM. The operation mode is summarized in Table 1. Moreover, the PSI pin is valid after POR of VR.

Table 1

Operation Phase Number	PSI Voltage Setting
1phase with DEM	0V to 0.4V
1phase with CCM	0.7V to 0.88V
2phase with DEM	1.08V to 1.35V
2phase with CCM	1.6V to 5.5V

Diode-Emulation Mode

In diode-emulation mode, the RT8816A automatically reduces switching frequency at light-load condition to maintain high efficiency. As the output current decreases from heavy-load condition, the inductor current is also reduced, and eventually comes to the point that its valley touches zero current, which is the boundary between continuous conduction and discontinuous conduction modes. By emulating the behavior of diodes, the low side MOSFET allows only partial of negative current when the inductor freewheeling current reaches negative value. As the load current is further decreased, it takes a longer

time to discharge the output capacitor to the level that requires the next "ON" cycle. In reverse, when the output current increases from light load to heavy load, the switching frequency increases to the preset value as the inductor current reaches the continuous conduction condition. The transition load point to the light load operation is shown in Figure 5 and can be calculated as follows:

$$I_{LOAD(SKIP)} \approx \frac{(V_{IN} - V_{OUT})}{2L} \times t_{ON}$$

where t_{ON} is on-time.

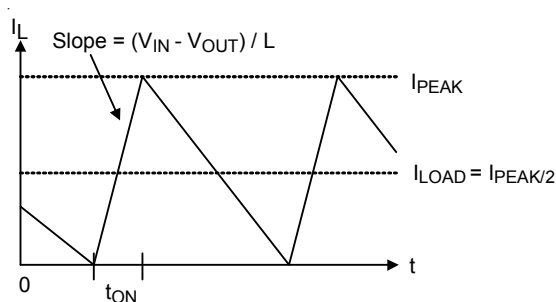


Figure 5. Boundary Condition of CCM/DEM

The switching waveforms may be noisy and asynchronous in light loading diode-emulation operation condition, but this is a normal operating condition that results in high light-load efficiency. Trade-off in DEM noise vs. light-load efficiency is made by varying the inductor value. Generally, low inductor values produce a broad high efficiency range vs. load curve, while higher values result in higher full load efficiency (assuming that the coil resistance remains fixed) and less output voltage ripple. The disadvantages for using higher inductor values include larger physical size and degraded load-transient response (especially at low input voltage levels).

Forced-CCM Mode

The low noise, forced-CCM mode disables the zero-crossing comparator, which controls the low-side switch on-time. This causes the low-side gate drive waveform to be the complement of the high-side gate drive waveform. This in turn causes the inductor current to reverse at light loads as the PWM loop to maintain a duty ratio V_{OUT}/V_{IN} . The benefit of forced-CCM mode is to keep the switching frequency fairly constant.

Enable and Disable

The EN pin is a high impedance input that allows power sequencing between the controller bias voltage and another voltage rail. The RT8816A remains in shutdown if the EN pin is lower than 550mV. When the EN voltage rises above the 1.2V high level threshold, the RT8816A begins a new initialization and soft-start cycle.

Power On Reset (POR), UVLO

Power On Reset (POR) occurs when V_{PVCC} rises above approximately 4.1V (typical), the RT8816A resets the fault latch circuit and prepare for PWM operation. When the V_{PVCC} is lower than 3.8V (typical), the Under Voltage Lockout (UVLO) circuitry inhibits switching by keeping UGATE and LGATE low.

Soft-Start

The RT8816A provides internal soft-start function and external soft-start function. The soft-start function is used to prevent large inrush current and output voltage overshoot while the converter is being powered up. The soft-start function automatically begins once the chip is enabled. There is a delay time around 200us from EN goes high to V_{OUT} begins to ramp-up.

If external capacitor from OCSET/SS pin to GND is removed, the internal soft-start function is chosen. An internal current source charges the internal soft-start capacitor so that the internal soft-start voltage ramps up linearly. The output voltage will track the internal soft-start voltage during the soft-start interval. After the internal soft-start voltage exceeds the REFIN voltage, the output voltage no longer tracks the internal soft-start voltage but follows the REFIN voltage. Therefore, the duty cycle of the UGATE signal as well as the input current at power up are limited.

The soft-start process is finished when the internal SSOK goes high and protection is not triggered. Figure 6 shows the internal soft-start sequence.

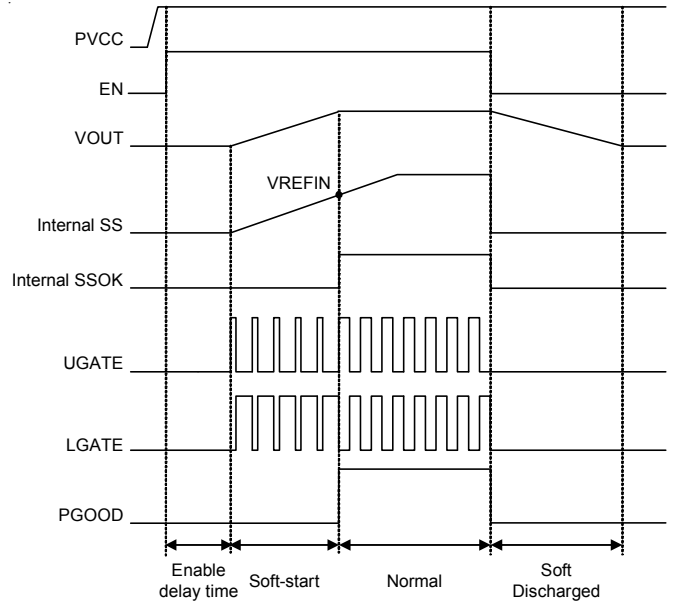


Figure 6. Internal Soft-Start Sequence

The RT8816A also provides external soft-start function, and the external soft-start sequence is shown in Figure 7, connecting an additional capacitor from OCSET/SS pin to GND. The external capacitor is charged by internal current source to build soft-start voltage ramp. If external soft-start function is chosen, the external soft-start time should be set longer than internal soft-start time to avoid output voltage tracking the internal soft-start ramp. The external soft-start time setting is shown in Figure 8 and the recommended external soft-start slew rate is from 0.1V/ms to 0.4V/ms.

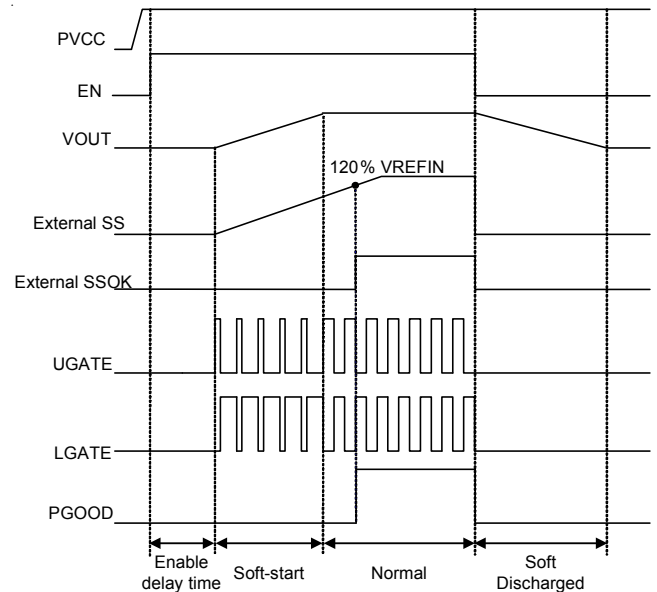


Figure 7. External Soft-Start Sequence

The soft-start time can be calculated as:

$$t_{SS} = -(C_{SS} \times R_{OCSET}) \times \ln \left[1 - \left(\frac{V_{REFIN}}{I_{SS} \times R_{OCSET}} \right) \right]$$

where $I_{SS} = 50\mu A$ (typ.), V_{REFIN} is the voltage of REF IN pin, R_{OCSET} is the current limit setting resistor, and C_{SS} is the external capacitor placed from OCSET/SS pin to GND.

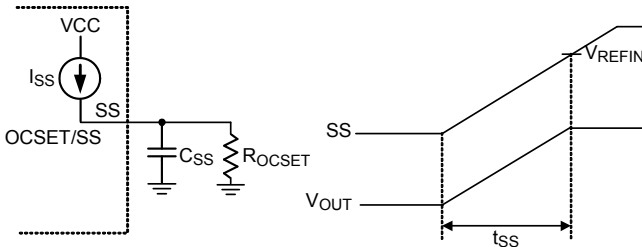


Figure 8. External Soft-Start Time Setting

Power Good Output (PGOOD)

The PGOOD pin is an open-drain output, and it requires a pull-up resistor. During soft-start, the PGOOD is held low and is allowed to be pulled high after V_{OUT} goes over UVP threshold and under OVP threshold. In addition, if any protection is triggered during operation, the PGOOD is pulled low immediately.

PWM VID and Dynamic Output Voltage Control

The RT8816A features a PWM VID input for dynamic output voltage control as shown in Figure 9, which reduces the number of device pin and enables a wide dynamic voltage range. The output voltage is determined by the applied voltage on the REF IN pin. The PWM duty cycle determines the variable output voltage at REF IN.

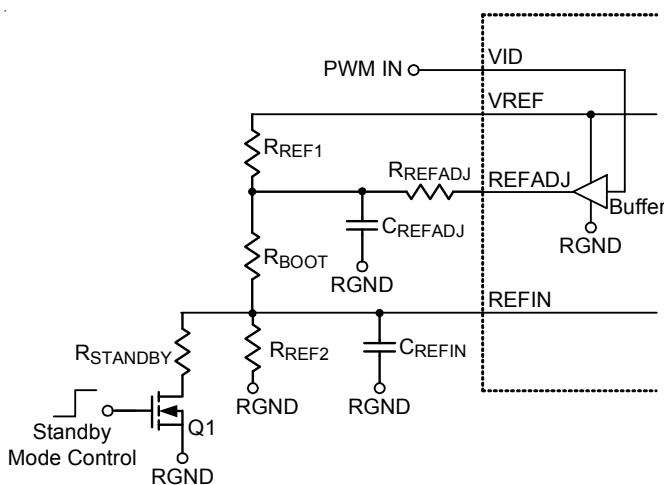


Figure 9. PWM VID Analog Circuit Diagram

With the external circuit and VID control signal, the controller provides three operation modes shown as Figure 10.

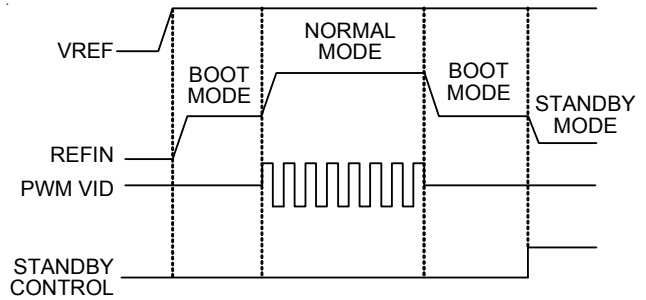


Figure 10. PWM VID Time Diagram

Boot Mode

VID is not driven, and the buffer output is tri-state. At this time, turn off the switch Q1 and connect a resistor divider as shown in Figure 9 that can set the REF IN voltage to be V_{BOOT} as the following equation :

$$V_{BOOT} = V_{VREF} \times \left(\frac{R_{REF2}}{R_{REF1} + R_{REF2} + R_{BOOT}} \right)$$

where $V_{VREF} = 2V$ (typ.)

Choose R_{REF2} to be approximately 10kΩ, and the R_{REF1} and R_{BOOT} can be calculated by the following equations :

$$R_{REF1} + R_{BOOT} = \frac{R_{REF2} \times (V_{VREF} - V_{BOOT})}{V_{BOOT}}$$

$$R_{REF1} = \frac{R_{REF2} \times (V_{VREF} - V_{BOOT})}{V_{BOOT}} - R_{BOOT}$$

$$R_{BOOT} = \frac{R_{REF2} \times (V_{VREF} - V_{BOOT})}{V_{BOOT}} - R_{REF1}$$

Standby Mode

An external control can provide a very low voltage to meet V_{OUT} operating in standby mode. If the VID pin is floating and switch Q1 is enabled as shown in Figure 9, the REF IN pin can be set for standby voltage according to the calculation below :

$$V_{STANDBY} = V_{VREF} \times \frac{R_{REF2} // R_{STANDBY}}{R_{REF1} + R_{BOOT} + (R_{REF2} // R_{STANDBY})}$$

By choosing R_{REF1} , R_{REF2} , and R_{BOOT} , the $R_{STANDBY}$ can be calculated by the following equation :

$$R_{\text{STANDBY}} = \frac{R_{\text{REF2}} \times (R_{\text{REF1}} + R_{\text{BOOT}}) \times V_{\text{STANDBY}}}{R_{\text{REF2}} \times V_{\text{VREF}} - V_{\text{STANDBY}} \times (R_{\text{REF1}} + R_{\text{REF2}} + R_{\text{BOOT}})}$$

Normal Mode

If the VID pin is driven by a PWM signal and switch Q1 is disabled as shown in Figure 9, the V_{REFIN} can be adjusted from V_{min} to V_{max} , where V_{min} is the voltage at zero percent PWM duty cycle and V_{max} is the voltage at one hundred percent PWM duty cycle. The V_{min} and V_{max} can be set by the following equations :

$$V_{\text{min}} = V_{\text{VREF}} \times \frac{R_{\text{REF2}}}{R_{\text{REF2}} + R_{\text{BOOT}}} \times \frac{R_{\text{REFADJ}} \parallel (R_{\text{BOOT}} + R_{\text{REF2}})}{R_{\text{REF1}} + [R_{\text{REFADJ}} \parallel (R_{\text{BOOT}} + R_{\text{REF2}})]}$$

$$V_{\text{max}} = V_{\text{VREF}} \times \frac{R_{\text{REF2}}}{(R_{\text{REF1}} \parallel R_{\text{REFADJ}}) + R_{\text{BOOT}} + R_{\text{REF2}}}$$

By choosing R_{REF1} , R_{REF2} , and R_{BOOT} , the R_{REFADJ} can be calculated by the following equation :

$$R_{\text{REFADJ}} = \frac{R_{\text{REF1}} \times V_{\text{min}}}{V_{\text{max}} - V_{\text{min}}}$$

The relationship between VID duty and V_{REFIN} is shown in Figure 11, and V_{OUT} can be set according to the calculation below :

$$V_{\text{OUT}} = V_{\text{min}} + N \times V_{\text{STEP}}$$

where V_{STEP} is the resolution of each voltage step 1 :

$$V_{\text{STEP}} = \frac{(V_{\text{max}} - V_{\text{min}})}{N_{\text{max}}}$$

where N_{max} is the number of total available voltage steps and N is the number of step at a specific V_{OUT} . The dynamic voltage VID period ($T_{\text{vid}} = T_{\text{u}} \times N_{\text{max}}$) is determined by the unit pulse width (T_{u}) and the available step number (N_{max}). The recommended T_{u} is 27ns.

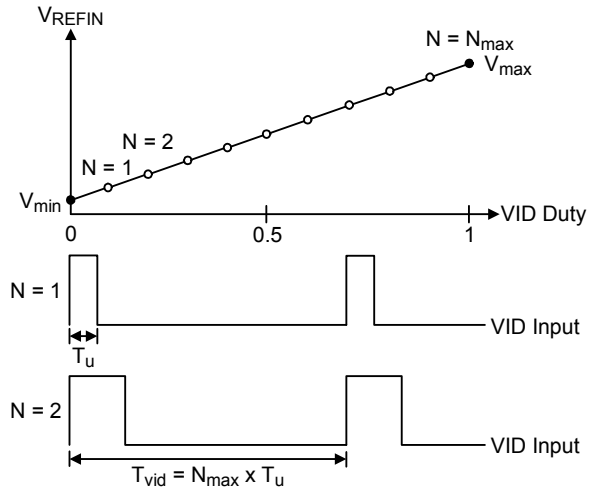


Figure 11. PWM VID Analog Output

VID Slew Rate Control

In the RT8816A, the V_{REFIN} slew rate is proportional to PWM VID duty, the rising time and falling time are the same. In normal mode, the V_{REFIN} slew rate SR can be estimated by C_{REFADJ} or C_{REFIN} as the following equation :

When choose C_{REFADJ} :

$$\text{SR} = \frac{(V_{\text{REFIN_Final}} - V_{\text{REFIN_initial}}) \times 80\%}{2.2 R_{\text{SR}} C_{\text{REFADJ}}}$$

$$R_{\text{SR}} = [(R_{\text{REF1}} \parallel R_{\text{REFADJ}}) \parallel (R_{\text{BOOT}} + R_{\text{REF2}})]$$

When choose C_{REFIN} :

$$\text{SR} = \frac{(V_{\text{REFIN_Final}} - V_{\text{REFIN_initial}}) \times 80\%}{2.2 R_{\text{SR}} C_{\text{REFIN}}}$$

$$R_{\text{SR}} = [(R_{\text{REF1}} \parallel R_{\text{REFADJ}}) + R_{\text{BOOT}}] \parallel R_{\text{REF2}}$$

The recommended SR is estimated by C_{REFADJ} .

Current Limit

The RT8816A provides cycle-by-cycle current limit control by detecting the PHASE voltage drop across the low-side MOSFET when it is turned on. The current limit circuit employs a unique "valley" current sensing algorithm as shown in Figure 12. If the magnitude of the current sense signal at PHASE is above the current limit threshold, the PWM is not allowed to initiate a new cycle.

In order to provide both good accuracy and a cost effective solution, the RT8816A supports temperature compensated MOSFET $R_{\text{DS(ON)}}$ sensing.

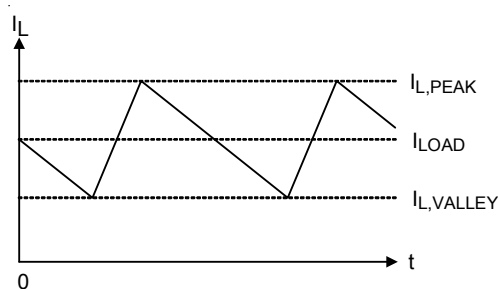


Figure 12. "Valley" Current Limit

In an over-current condition, the current to the load exceeds the average output inductor current. Thus, the output voltage falls and eventually crosses the under-voltage protection threshold, inducing IC shutdown.

Current Limit Setting

The RT8816A adopts per-phase current limiting protection. The current limit threshold can be set by a resistor (R_{OCSET}) between OCSET/SS pin and GND. Once PVCC exceeds the POR threshold and chip is enabled, an internal current source I_{OCSET} flows through R_{OCSET} . The voltage across R_{OCSET} is stored as the current limit protection threshold V_{OCSET} . The threshold range of V_{OCSET} is 30mV to 200mV. It can be calculated according to the following equation :

$$V_{OCSET} = \frac{I_{OCSET} \times R_{OCSET}}{12}$$

R_{OCSET} can be determined using the following equation :

$$R_{OCSET} = \frac{I_{VALLEY} \times R_{DS_ON} \times 12}{I_{OCSET}}$$

where I_{VALLEY} represents the desired per-phase inductor limit current (valley inductor current) and I_{OCSET} is current limit setting current which has a temperature coefficient to compensate the temperature dependency of the $R_{DS(ON)}$. During soft-start period (EN is pulled high to SSOK), the I_{OCSET} is 50 μ A. Once soft-start finishes, the I_{OCSET} switches to 10 μ A.

For ensuring the soft-start and current limit functions work normally, below setting limitation must be followed.

$$R_{OCSET} \times 50\mu A > 1.2 \times V_{REFIN}$$

If R_{OCSET} is not present, there is no current path for I_{OCSET} to build the current limit threshold. In this situation, the current limit threshold is internally preset to 200mV.

Negative Current Limit

The RT8816A supports cycle-by-cycle negative current limit. The absolute value of negative current limit threshold is the same as the positive current limit threshold. If negative inductor current is rising to trigger negative current limit, the low-side MOSFET is turned off and the current flows to input side through the body diode of the high-side MOSFET. At this time, output voltage tends to rise because this protection limits current to discharge the output capacitor. In order to prevent shutdown because of over-voltage protection, the low-side MOSFET is turned on again 400ns after it is turned off. If the device hits the negative current limit threshold again before output voltage is discharged to the target level, the low-side MOSFET is turned off and process repeats. It ensures maximum allowable discharge capability when output voltage continues to rise. On the other hand, if the output is discharged to the target level before negative current limit threshold is reached, the low-side MOSFET is turned off, the high-side MOSFET is then turned on, and the device keeps normal operation.

Current Balance

The RT8816A implements current balance mechanism in the current loop. The RT8816A senses per phase current signal and compares it with the average current. If the sensed current of any particular phase is higher than the average current, the on-time of this phase is decreased.

The current balance accuracy is mainly related with on-resistance of low-side MOSFET ($R_{LG,DS(ON)}$). That is, in practical application, using lower $R_{LG,DS(ON)}$ will reduce the current balance accuracy.

Output Over-Voltage Protection (OVP)

The output voltage can be continuously monitored for over-voltage protection. If REFIN voltage is lower than 1.33V, the over voltage threshold follows absolute over voltage 2V. If REFIN voltage is higher than 1.33V, the over voltage threshold follows relative over voltage $1.5 \times V_{REFIN}$. When OVP is triggered, UGATE goes low and LGATE is forced high. The RT8816A is latched once OVP is triggered and

can only be released by PVCC or EN power on reset. A 5μs delay is used in OVP detection circuit to prevent false trigger.

Output Under-Voltage Protection (UVP)

The output voltage can be continuously monitored for under-voltage protection. When the output voltage is less than 40% of its set voltage, under voltage protection is triggered and then all UGATE and LGATE gate drivers are forced low. There is a 3μs delay built in the UVP circuit to prevent false transitions. During soft-start, the UVP blanking time is equal to PGOOD blanking time.

MOSFET Gate Driver

The RT8816A integrates high current gate drivers for the MOSFETs to obtain high efficiency power conversion in synchronous Buck topology. A dead-time is used to prevent the cross conduction for high-side and low-side MOSFETs. Because both the two gate signals are off during the dead-time, the inductor current freewheels through the body diode of the low-side MOSFET. The freewheeling current and the forward voltage of the body diode contribute power losses to the converter. The RT8816A employs adaptive dead time control scheme to ensure safe operation without sacrificing efficiency. Furthermore, elaborate logic circuit is implemented to prevent cross conduction. For high output current applications, two power MOSFETs are usually paralleled to reduce $R_{DS(ON)}$. The gate driver needs to provide more current to switch on/off these paralleled MOSFETs. Gate driver with lower source/sink current capability results in longer rising/falling time in gate signals and higher switching loss. The RT8816A embeds high current gate drivers to obtain high efficiency power conversion.

MOSFET Selection

The majority of power loss in the step-down power conversion is due to the loss in the power MOSFETs. For low voltage high current applications, the duty cycle of the high-side MOSFET is small. Therefore, the switching loss of the high-side MOSFET is of concern. Power MOSFETs with lower total gate charge are preferred in such kind of application.

However, the small duty cycle means the low-side MOSFET is on for most of the switching cycle. Therefore, the conduction loss tends to dominate the total power loss of the converter. To improve the overall efficiency, the MOSFETs with low $R_{DS(ON)}$ are preferred in the circuit design. In some cases, more than one MOSFET are connected in parallel to further decrease the on-state resistance. However, this depends on the low-side MOSFET driver capability and the budget.

Inductor Selection

Inductor plays an importance role in step-down converters because the energy from the input power rail is stored in it and then released to the load. From the viewpoint of efficiency, the DC Resistance (DCR) of inductor should be as small as possible to minimize the copper loss. In addition, the inductor occupies most of the board space so the size of it is important. Low profile inductors can save board space especially when the height is limited. However, low DCR and low profile inductors are usually not cost effective.

Additionally, higher inductance results in lower ripple current, which means the lower power loss. However, the inductor current rising time increases with inductance value. This means the transient response will be slower. Therefore, the inductor design is a trade-off between performance, size and cost.

In general, inductance is designed to let the ripple current ranges between 20% to 40% of full load current. The inductance can be calculated using the following equation :

$$L_{min} = \frac{V_{IN} - V_{OUT}}{f_{SW} \times k \times I_{OUT_rated}} \times \frac{V_{OUT}}{V_{IN}}$$

where k is the ratio between inductor ripple current and rated output current.

Input Capacitor Selection

Voltage rating and current rating are the key parameters in selecting input capacitor. Generally, input capacitor voltage rating should be 1.5 times greater than the maximum input voltage for a conservatively safe design.

The input capacitor is used to supply the input RMS current, which can be approximately calculated using the

following equation :

$$I_{RMS} = I_{OUT} \times \sqrt{\frac{V_{OUT}}{V_{IN}} \times \left(1 - \frac{V_{OUT}}{V_{IN}}\right)}$$

The next step is to select proper capacitor for RMS current rating. Using more than one capacitor with low Equivalent Series Resistance (ESR) in parallel to form a capacitor bank is a good design. Besides, placing ceramic capacitor close to the Drain of the high-side MOSFET is helpful in reducing the input voltage ripple at heavy load.

Output Capacitor Selection

The output filter capacitor must have ESR low enough to meet output ripple and load transient requirement, yet have high enough ESR to satisfy stability requirements. Also, the capacitance must be high enough to absorb the inductor energy going from a full load to no load condition without tripping the OVP circuit. Organic semiconductor capacitor(s) or special polymer capacitor(s) are recommended.

Thermal Considerations

The junction temperature should never exceed the absolute maximum junction temperature $T_{J(MAX)}$, listed under Absolute Maximum Ratings, to avoid permanent damage to the device. The maximum allowable power dissipation depends on the thermal resistance of the IC package, the PCB layout, the rate of surrounding airflow, and the difference between the junction and ambient temperatures. The maximum power dissipation can be calculated using the following formula :

$$P_{D(MAX)} = (T_{J(MAX)} - T_A) / \theta_{JA}$$

where $T_{J(MAX)}$ is the maximum junction temperature, T_A is the ambient temperature, and θ_{JA} is the junction-to-ambient thermal resistance.

For continuous operation, the maximum operating junction temperature indicated under Recommended Operating Conditions is 105°C. The junction-to-ambient thermal resistance, θ_{JA} , is highly package dependent. For a WQFN-20L 3x3 package, the thermal resistance, θ_{JA} , is 30°C/W on a standard JEDEC 51-7 high effective-thermal-conductivity four-layer test board. The maximum power dissipation at $T_A = 25^\circ\text{C}$ can be calculated as below :

$$P_{D(MAX)} = (105^\circ\text{C} - 25^\circ\text{C}) / (30^\circ\text{C/W}) = 2.67\text{W for a WQFN-20L 3x3 package}$$

The maximum power dissipation depends on the operating ambient temperature for the fixed $T_{J(MAX)}$ and the thermal resistance, θ_{JA} . The derating curves in Figure 13 allows the designer to see the effect of rising ambient temperature on the maximum power dissipation.

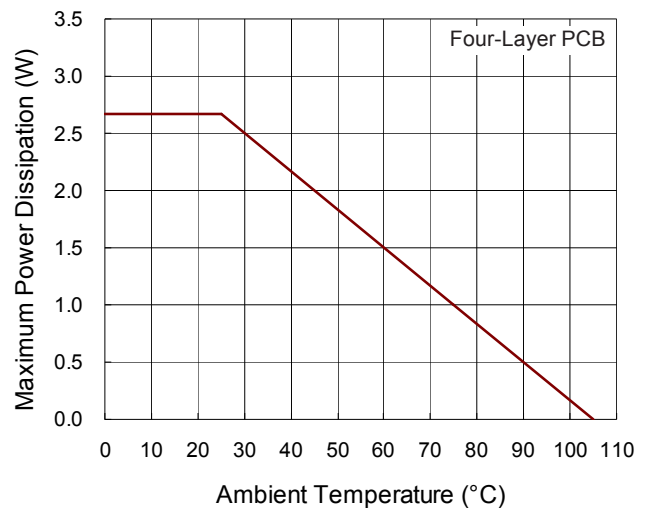


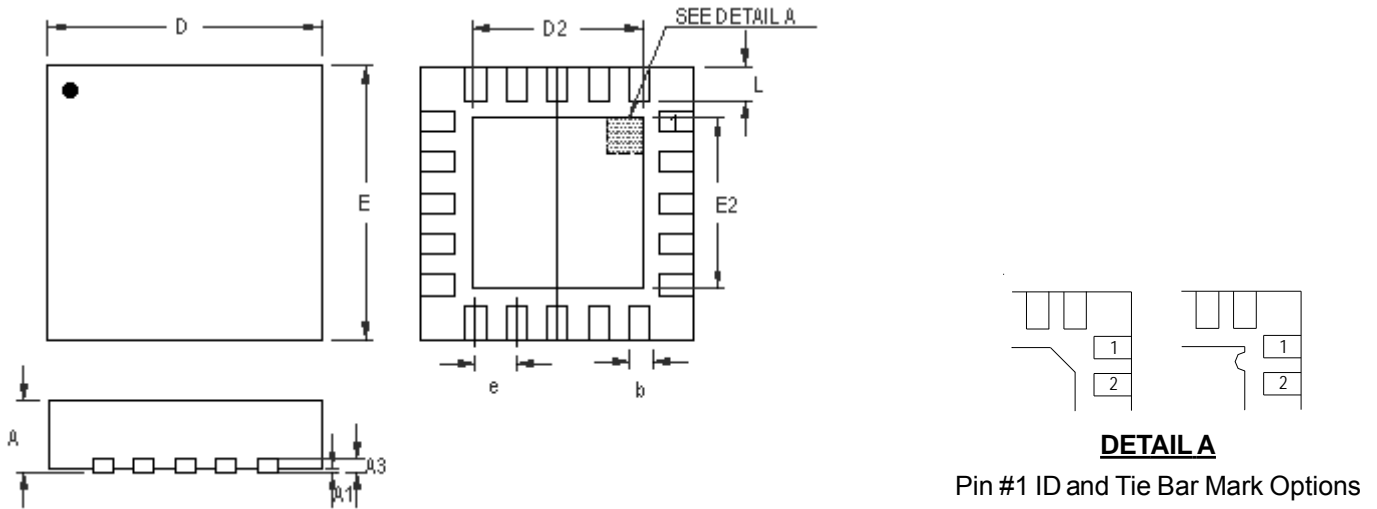
Figure 13. Derating Curve of Maximum Power Dissipation

Layout Considerations

Layout is very important in high frequency switching converter design. If designed improperly, the PCB could radiate excessive noise and contribute to the converter instability. Following layout guidelines must be considered before starting a layout for the RT8816A.

- ▶ Place the RC filter as close as possible to the PVCC pin.
- ▶ Keep current limit setting network as close as possible to the IC. Routing of the network should avoid coupling to high voltage switching node.
- ▶ Connections from the drivers to the respective gate of the high-side or the low-side MOSFET should be as short as possible to reduce stray inductance.
- ▶ All sensitive analog traces and components such as VSNS, RGND, EN, PSI, VID, PGOOD, VREF, TON REFADJ and REFIN should be placed away from high voltage switching nodes such as PHASE, LGATE, UGATE, or BOOT nodes to avoid coupling. Use internal layer(s) as ground plane(s) and shield the feedback trace from power traces and components.
- ▶ Power sections should connect directly to ground plane(s) using multiple vias as required for current handling (including the chip power ground connections). Power components should be placed to minimize loops and reduce losses.

Outline Dimension



DETAIL A
Pin #1 ID and Tie Bar Mark Options

Note : The configuration of the Pin #1 identifier is optional, but must be located within the zone indicated.

Symbol	Dimensions In Millimeters		Dimensions In Inches	
	Min	Max	Min	Max
A	0.700	0.800	0.028	0.031
A1	0.000	0.050	0.000	0.002
A3	0.175	0.250	0.007	0.010
b	0.150	0.250	0.006	0.010
D	2.900	3.100	0.114	0.122
D2	1.650	1.750	0.065	0.069
E	2.900	3.100	0.114	0.122
E2	1.650	1.750	0.065	0.069
e	0.400		0.016	
L	0.350	0.450	0.014	0.018

W-Type 20L QFN 3x3 Package

Richtek Technology Corporation

14F, No. 8, Tai Yuen 1st Street, Chupei City
Hsinchu, Taiwan, R.O.C.
Tel: (8863)5526789

X-ON Electronics

Largest Supplier of Electrical and Electronic Components

Click to view similar products for [Switching Voltage Regulators](#) category:

Click to view products by [Richtek](#) manufacturer:

Other Similar products are found below :

[FAN53610AUC33X](#) [FAN53611AUC123X](#) [MP2374DS-LF-Z](#) [AP3602AKTR-G1](#) [FAN48610BUC45X](#) [FAN48617UC50X](#) [R3](#) [430464BB](#)
[MPQ4423GQ-AEC1-Z](#) [FAN53611AUC12X](#) [MAX809TTR](#) [NCV891234MW50R2G](#) [AST1S31PUR](#) [NCP81103MNTXG](#)
[NCP81203PMNTXG](#) [NCP81208MNTXG](#) [NCP81109GMNTXG](#) [SCY1751FCCT1G](#) [NCP81109JMNTXG](#) [NCP81241MNTXG](#)
[MP2388GQEU-Z](#) [MPQ4481GU-AEC1-P](#) [MPQ2171GJ-P](#) [IR3888MTRPBFAUMA1](#) [MPQ2171GJ-AEC1-P](#) [MP2171GJ-P](#)
[NCV1077CSTBT3G](#) [MP28160GC-Z](#) [LTM4691EV#PBF](#) [XCL207A123CR-G](#) [XDPE132G5CG000XUMA1](#) [XDPE12284C0000XUMA1](#)
[LTM4691IV#PBF](#) [MP5461GC-P](#) [MIC23356YFT-TR](#) [ISL95338IRTZ](#) [TPS55162QPWPRQ1](#) [MP3416GJ-P](#) [BD9S201NUX-CE2](#)
[ISL9113AIRAZ-T](#) [MP5461GC-Z](#) [MPQ2172GJ-AEC1-Z](#) [MPQ4415AGQB-Z](#) [MPQ4590GS-Z](#) [FAN53526UC224X](#) [S-19903DA-A8T1U7](#) [S-](#)
[19903CA-A6T8U7](#) [S-19915BA-A8T1U7](#) [S-19903CA-S8T1U7](#) [S-19902BA-A6T8U7](#)