

High Voltage Synchronous Rectified Buck MOSFET Driver for Notebook Computer

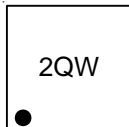
General Description

The RT9610C is a high frequency, dual MOSFET driver specifically designed to drive two power N-MOSFETS in a synchronous-rectified buck converter topology. It is especially suited for mobile computing applications that require high efficiency and excellent thermal performance. This driver, combined with Richtek's series of multi-phase Buck PWM controllers, provides a complete core voltage regulator solution for advanced microprocessors.

The drivers are capable of driving a 3nF load with fast rising/falling time and fast propagation delay. This device implements bootstrapping on the upper gates with only a single external capacitor. This reduces implementation complexity and allows the use of higher performance, cost effective, N-MOSFETS. Adaptive shoot through protection is integrated to prevent both MOSFETS from conducting simultaneously.

The RT9610C is available in WDFN-8L 2x2 Package.

Marking Information



2Q : Product Code
W : Date Code

Features

- Drives Two N-MOSFETS
- Adaptive Shoot-Through Protection
- 0.5Ω On-Resistance, 4A Sink Current Capability
- Supports High Switching Frequency
- Tri-State PWM Input for Power Stage Shutdown
- Output Disable Function
- Integrated Boost Switch
- Low Bias Supply Current
- VCC POR Feature Integrated

Applications

- Core Voltage Supplies for Intel® / AMD® Mobile Microprocessors
- High Frequency Low Profile DC/DC Converters
- High Current Low Output Voltage DC/DC Converters
- High Input Voltage DC/DC Converters

Ordering Information

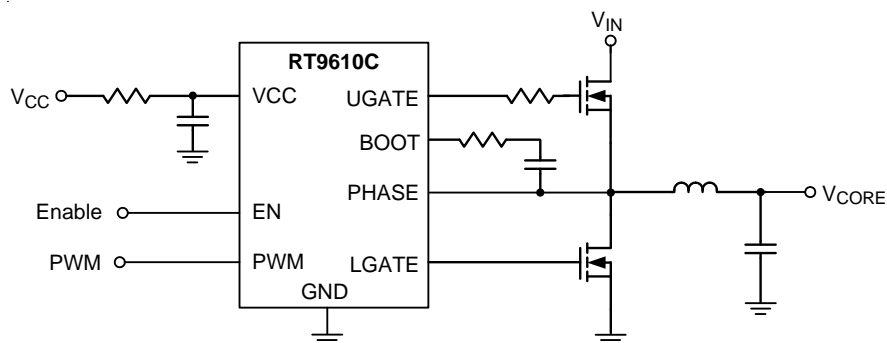
- RT9610C □ □
- Package Type
QW : WDFN-8L 2x2 (W-Type)
 - Lead Plating System
G : Green (Halogen Free and Pb Free)

Note :

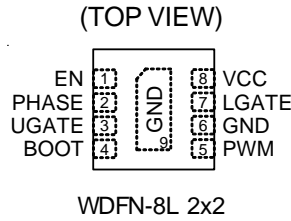
Richtek products are :

- ▶ RoHS compliant and compatible with the current requirements of IPC/JEDEC J-STD-020.
- ▶ Suitable for use in SnPb or Pb-free soldering processes.

Simplified Application Circuit



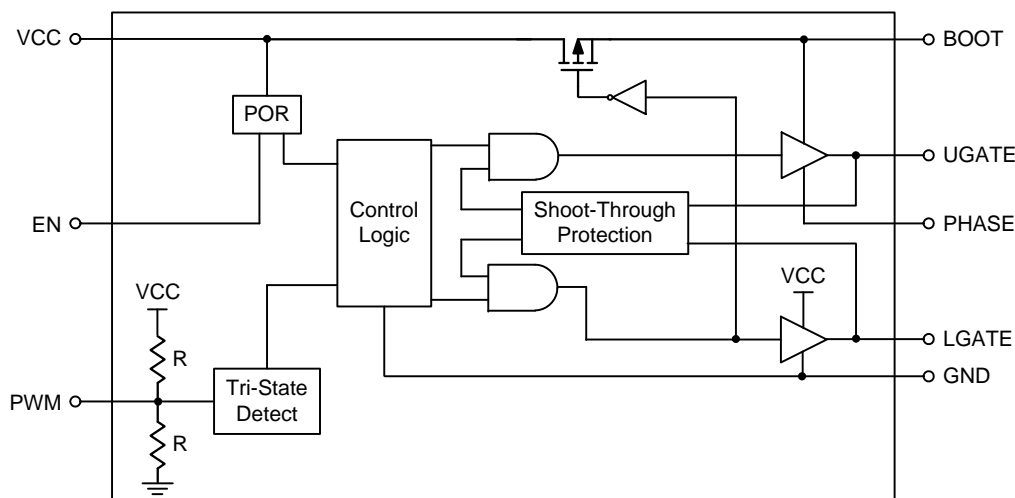
Pin Configurations



Functional Pin Description

Pin No.	Pin Name	Pin Function
1	EN	Enable Pin. When low, both UGATE and LGATE are driven low and the normal operation is disabled.
2	PHASE	Switch Node. Connect this pin to the source of the upper MOSFET and the drain of the lower MOSFET. This pin provides a return path for the upper gate driver.
3	UGATE	Upper Gate Drive Output. Connect to the gate of high side power N-MOSFET.
4	BOOT	Floating Bootstrap Supply Pin for Upper Gate Drive. Connect the bootstrap capacitor between this pin and the PHASE pin. The bootstrap capacitor provides the charge to turn on the upper MOSFET.
5	PWM	Control Input for Driver. The PWM signal can enter three distinct states during operation. Connect this pin to the PWM output of the controller.
6, 9 (Exposed Pad)	GND	Ground. The exposed pad must be soldered to a large PCB and connected to GND for maximum power dissipation.
7	LGATE	Lower Gate Drive Output. Connect to the gate of the low side power N-MOSFET.
8	VCC	Input Supply Pin. Connect this pin to a 5V bias supply. Place a high quality bypass capacitor from this pin to GND.

Functional Block Diagram



Operation

POR (Power On Reset)

POR block detects the voltage at the VCC pin. When the VCC pin voltage is higher than POR rising threshold, the POR pin output voltage (POR output) is high. POR output is low when VCC is not higher than POR rising threshold. When the POR pin voltage is high, UGATE and LGATE can be controlled by PWM input voltage. If the POR pin voltage is low, both UGATE and LGATE will be pulled to low.

Tri-State Detect

When both POR output and EN pin voltages are high, UGATE and LGATE can be controlled by PWM input. There are three PWM input modes which are high, low, and shutdown state. If PWM input is within the shutdown window, both UGATE and LGATE outputs are low. When PWM input is higher than its rising threshold, UGATE is high and LGATE is low. When PWM input is lower than its falling threshold, UGATE is low and LGATE is high.

Control Logic

Control logic block detects whether high side MOSFET is turned off by monitoring (UGATE - PHASE) voltages below 1.1V or PHASE voltage below 2V. To prevent the overlap of the gate drives during the UGATE pulls low and the LGATE pulls high, low side MOSFET can be turned on only after high side MOSFET is effectively turned off.

Shoot-Through Protection

Shoot-through protection block implements the dead-time when both high side and low side MOSFETs are turned off. With shoot-through protection block, high side and low side MOSFETs are never turned on simultaneously. Thus, shoot-through between high side and low side MOSFETs is prevented.

Absolute Maximum Ratings (Note 1)

- Supply Voltage, VCC ----- -0.3V to 6V
- BOOT to PHASE ----- -0.3V to 6V
- PHASE to GND
 - DC ----- -0.3V to 32V
 - < 20ns ----- -8V to 38V
- UGATE to PHASE
 - DC ----- -0.3V to 6V
 - < 20ns ----- -5V to 7.5V
- LGATE to GND
 - DC ----- -0.3V to 6V
 - < 20ns ----- -2.5V to 7.5V
- PWM, EN to GND ----- -0.3V to 6V
- Power Dissipation, P_D @ T_A = 25°C
 - WDFN-8L 2x2 ----- 2.19W
- Package Thermal Resistance (Note 2)
 - WDFN-8L 2x2, θ_{JA} ----- 45.5°C/W
 - WDFN-8L 2x2, θ_{JC} ----- 11.5°C/W
- Junction Temperature ----- 150°C
- Lead Temperature (Soldering, 10 sec.) ----- 260°C
- Storage Temperature Range ----- -65°C to 150°C
- ESD Susceptibility (Note 3)
 - HBM (Human Body Model) ----- 2kV

Recommended Operating Conditions (Note 4)

- Input Voltage, V_{IN} ----- 4.5V to 26V
- Control Voltage, VCC ----- 4.5V to 5.5V
- Ambient Temperature Range ----- -40°C to 85°C
- Junction Temperature Range ----- -40°C to 125°C

Electrical Characteristics

(V_{CC} = 5V, T_A = 25°C, unless otherwise specified)

Parameter	Symbol	Test Conditions	Min	Typ	Max	Unit
VCC Supply Current						
Quiescent Current	I _Q	PWM Pin Floating, V _{EN} = 3.3V	--	80	--	μA
Shutdown Current	I _{SHDN}	V _{EN} = 0V, PWM = 0V, V _{CC} = 5V	--	0	5	μA
VCC Power On Reset (POR)	V _{PORH}	VCC POR Rising	--	4.2	4.5	V
	V _{PORL}	VCC POR Falling	3.5	3.84	--	V
	V _{PORHYS}	Hysteresis	--	360	--	mV
Internal BOOT Switch						
Internal Boost Switch On Resistance	R _{BOOT}	VCC to BOOT, 10mA	--	--	80	Ω

Parameter	Symbol	Test Conditions	Min	Typ	Max	Unit	
PWM Input							
Input Current	IPWM	V _{PWM} = 5V	--	174	--	μA	
		V _{PWM} = 0V	--	-174	--		
PWM Tri-State Rising Threshold	V _{PWMH}	V _{CC} = 5V	3.5	3.8	4.1	V	
PWM Tri-State Falling Threshold	V _{PWML}	V _{CC} = 5V	0.7	1	1.3	V	
EN Input							
EN Input Voltage	Logic-High	V _{ENH}	V _{CC} = 5V	1.4	--	--	V
	Logic-Low	V _{ENL}	V _{CC} = 5V	--	--	0.48	
Switching Time							
UGATE Rise Time	t _{UGATEr}	V _{CC} = 5V, 3nF Load	--	8	--	ns	
UGATE Fall Time	t _{UGATEf}	V _{CC} = 5V, 3nF Load	--	8	--	ns	
LGATE Rise Time	t _{LGATEr}	V _{CC} = 5V, 3nF Load	--	8	--	ns	
LGATE Fall Time	t _{LGATEf}	V _{CC} = 5V, 3nF Load	--	4	--	ns	
UGATE Turn-Off Propagation Delay	t _{PDLU}	V _{CC} = 5V, Outputs Unloaded	--	35	--	ns	
LGATE Turn-Off Propagation Delay	t _{PDLL}	V _{CC} = 5V, Outputs Unloaded	--	35	--	ns	
UGATE Turn-On Propagation Delay	t _{PDHU}	V _{CC} = 5V, Outputs Unloaded	--	20	--	ns	
LGATE Turn-On Propagation Delay	t _{PDHL}	V _{CC} = 5V, Outputs Unloaded	--	20	--	ns	
UGATE/LGATE Tri-State Propagation Delay	t _{PPTS}	V _{CC} = 5V, Outputs Unloaded	--	35	--	ns	
Output							
UGATE Driver Source Resistance	R _{UGATEsr}	100mA Source Current	--	1	--	Ω	
UGATE Driver Source Current	I _{UGATEsr}	V _{UGATE} - V _{PHASE} = 2.5V	--	2	--	A	
UGATE Driver Sink Resistance	R _{UGATEsk}	100mA Sink Current	--	1	--	Ω	
UGATE Driver Sink Current	I _{UGATEsk}	V _{UGATE} - V _{PHASE} = 2.5V	--	2	--	A	
LGATE Driver Source Resistance	R _{LGATEsr}	100mA Source Current	--	1	--	Ω	
LGATE Driver Source Current	I _{LGATEsr}	V _{LGATE} = 2.5V	--	2	--	A	
LGATE Driver Sink Resistance	R _{LGATEsk}	100mA Sink Current	--	0.5	--	Ω	
LGATE Driver Sink Current	I _{LGATEsk}	V _{LGATE} = 2.5V	--	4	--	A	

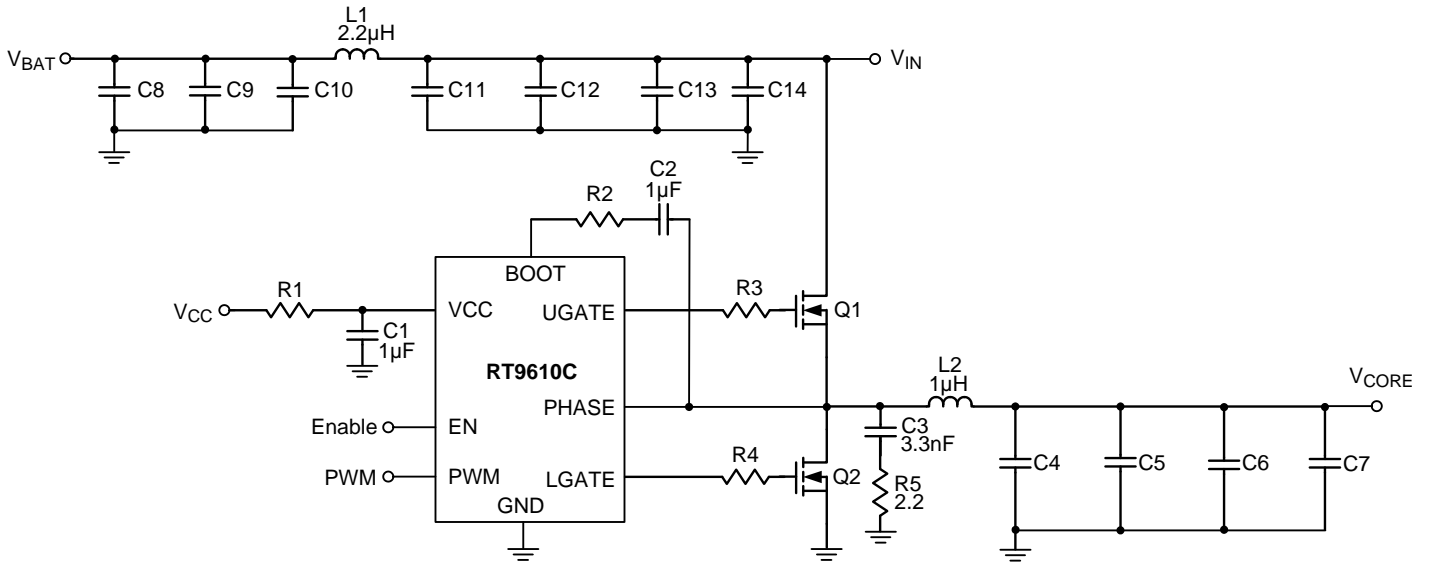
Note 1. Stresses beyond those listed “Absolute Maximum Ratings” may cause permanent damage to the device. These are stress ratings only, and functional operation of the device at these or any other conditions beyond those indicated in the operational sections of the specifications is not implied. Exposure to absolute maximum rating conditions may affect device reliability.

Note 2. θ_{JA} is measured at T_A = 25°C on a high effective thermal conductivity four-layer test board per JEDEC 51-7. θ_{JC} is measured at the exposed pad of the package.

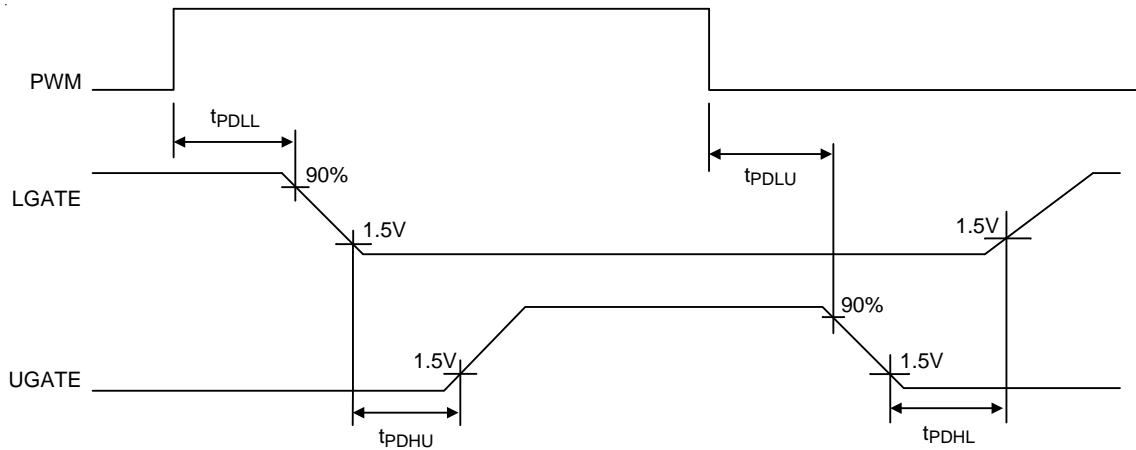
Note 3. Devices are ESD sensitive. Handling precaution recommended. The human body mode is a 100pF capacitor is charged through a 1.5kΩ resistor into each pin.

Note 4. The device is not guaranteed to function outside its operating conditions.

Typical Application Circuit

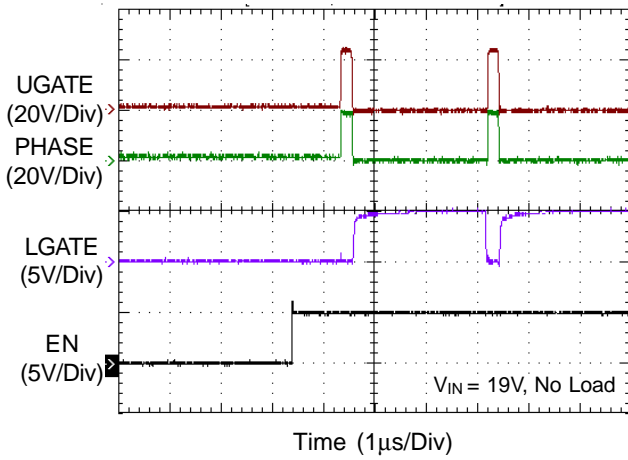


Timing Diagram

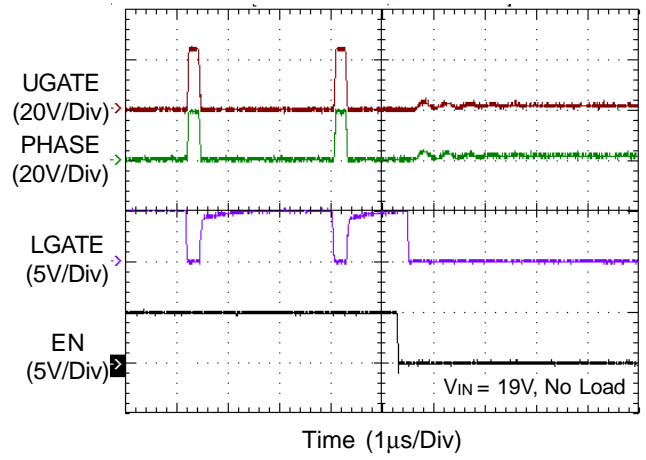


Typical Operating Characteristics

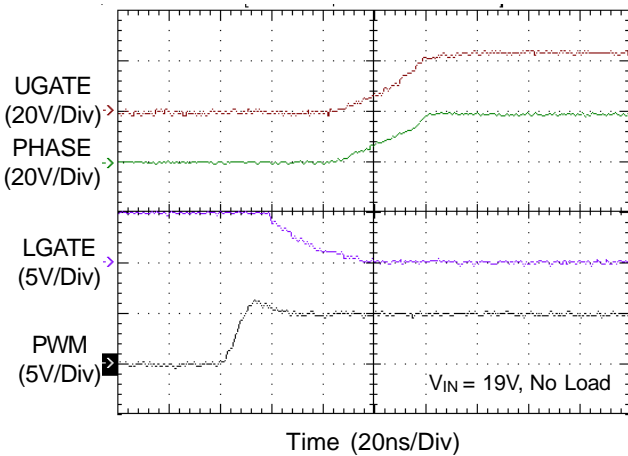
Driver Enable



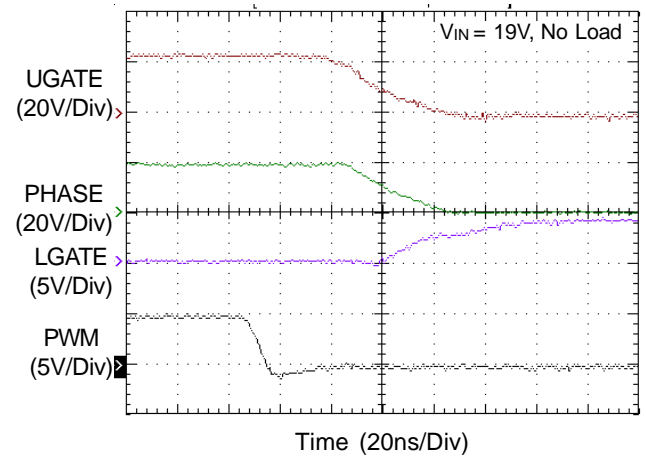
Driver Disable



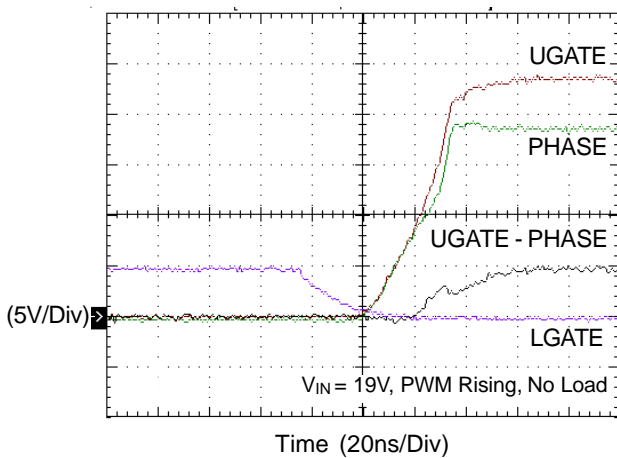
PWM Rising Edge



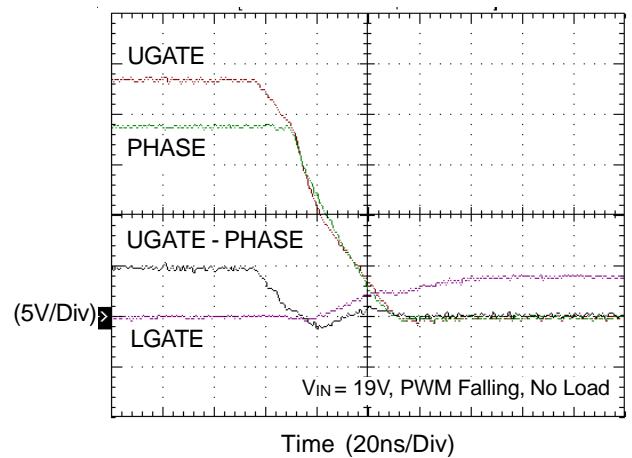
PWM Falling Edge



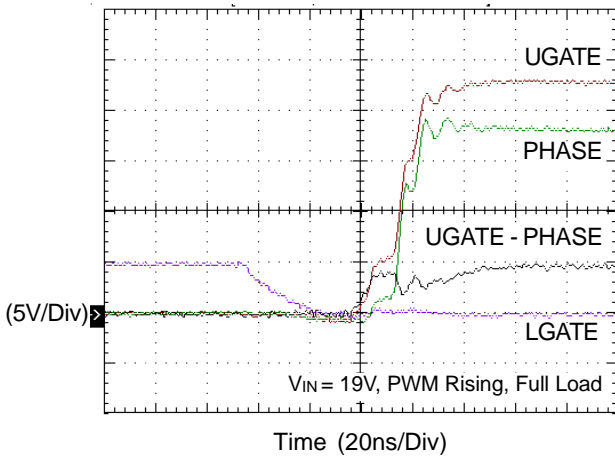
Dead Time



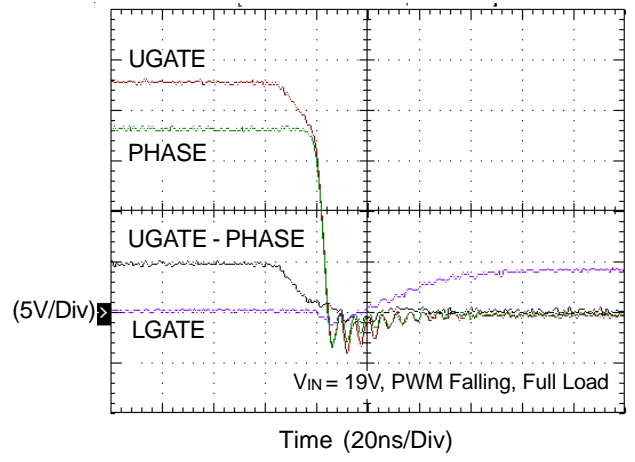
Dead Time



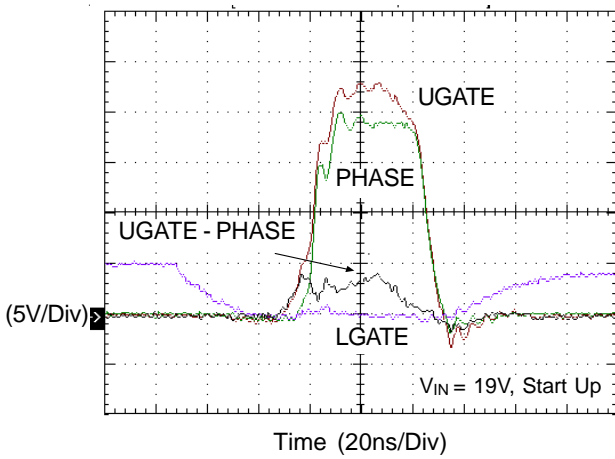
Dead Time



Dead Time



Short Pulse



Application Information

Supply Voltage and Power On Reset

The RT9610C is designed to drive both high side and low side N-MOSFETs through an externally input PWM control signal. Connect 5V to VCC to power on the RT9610C. A minimum 1 μ F ceramic capacitor is recommended to bypass the supply voltage. Place the bypassing capacitor physically near the IC. The power on reset (POR) circuit monitors the supply voltage at the VCC pin. If VCC exceeds the POR rising threshold voltage, the controller resets and prepares for operation. UGATE and LGATE are held low before VCC is above the POR rising threshold.

Enable and Disable

The RT9610C includes an EN pin for sequence control. When the EN pin rises above the V_{ENH} trip point, the RT9610C begins a new initialization and follows the PWM command to control the UGATE and LGATE. When the EN pin falls below the V_{ENL} trip point, the RT9610C shuts down and keeps UGATE and LGATE low.

Three State PWM Input

After initialization, the PWM signal takes over the control. The rising PWM signal first forces the LGATE signal low and then allows the UGATE signal to go high right after a non-overlapping time to avoid shoot through current. In contrast, the falling PWM signal first forces UGATE to go low. When the UGATE or PHASE signal reach a predetermined low level, LGATE signal is then allowed to go high.

Non-overlap Control

To prevent the overlap of the gate drives during the UGATE pull low and the LGATE pull high, the non-overlap circuit monitors the voltages at the PHASE node and high side gate drive (UGATE-PHASE). When the PWM input signal goes low, UGATE begins to pull low (after propagation delay). Before LGATE can pull high, the non-overlap protection circuit ensures that the monitored (UGATE-PHASE) voltages have gone below 1.1V or phase voltage is below 2V. Once the monitored voltages fall below the threshold, LGATE begins to turn high. By waiting for the voltages of the PHASE pin and high side gate drive to fall

below their threshold, the non-overlap protection circuit ensures that UGATE is low before LGATE pulls high.

Also to prevent the overlap of the gate drives during LGATE pull low and UGATE pull high, the non-overlap circuit monitors the LGATE voltage. When LGATE go below 1.1V, UGATE is allowed to go high.

Driving Power MOSFETs

The DC input impedance of the power MOSFET is extremely high. The gate draws the current only for few nano-amperes. Thus once the gate has been driven up to "ON" level, the current could be negligible.

However, the capacitance at the gate to source terminal should be considered. It requires relatively large currents to drive the gate up and down rapidly. It is also required to switch drain current on and off with the required speed. The required gate drive currents are calculated as follows.

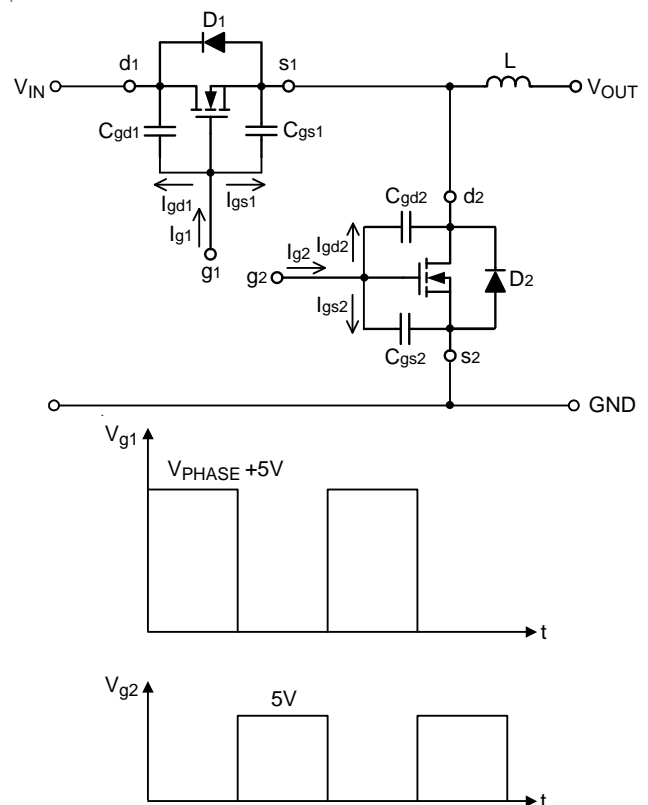


Figure1. Equivalent Circuit and Associated Waveforms

Thermal Considerations

For continuous operation, do not exceed absolute maximum junction temperature. The maximum power dissipation depends on the thermal resistance of the IC package, PCB layout, rate of surrounding airflow, and difference between junction and ambient temperature. The maximum power dissipation can be calculated by the following formula :

$$P_{D(MAX)} = (T_{J(MAX)} - T_A) / \theta_{JA}$$

where $T_{J(MAX)}$ is the maximum junction temperature, T_A is the ambient temperature, and θ_{JA} is the junction to ambient thermal resistance.

For recommended operating condition specifications, the maximum junction temperature is 125°C. The junction to ambient thermal resistance, θ_{JA} , is layout dependent. For WDFN-8L 2x2 packages, the thermal resistance, θ_{JA} , is 45.5°C/W on a standard JEDEC 51-7 four-layer thermal test board. The maximum power dissipation at $T_A = 25^\circ\text{C}$ can be calculated by the following formula :

$$P_{D(MAX)} = (125^\circ\text{C} - 25^\circ\text{C}) / (45.5^\circ\text{C/W}) = 2.19\text{W for WDFN-8L 2x2 package}$$

The maximum power dissipation depends on the operating ambient temperature for fixed $T_{J(MAX)}$ and thermal resistance, θ_{JA} . The derating curves in Figure 3 allow the designer to see the effect of rising ambient temperature on the maximum power dissipation.

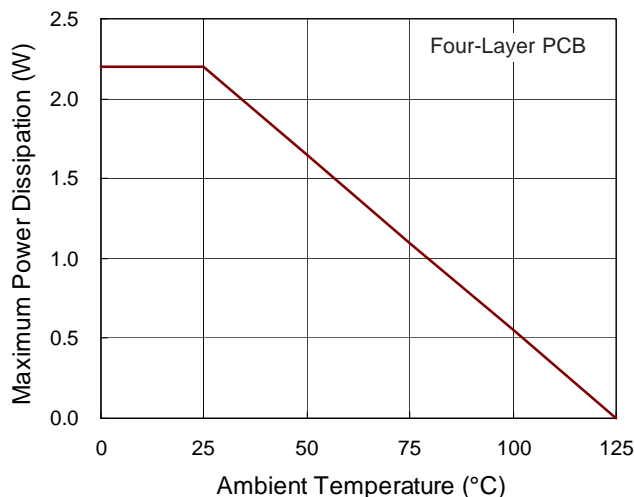


Figure 3. Derating Curve of Maximum Power Dissipation

Layout Considerations

Figure 4 shows the schematic circuit of a synchronous buck converter to implement the RT9610C.

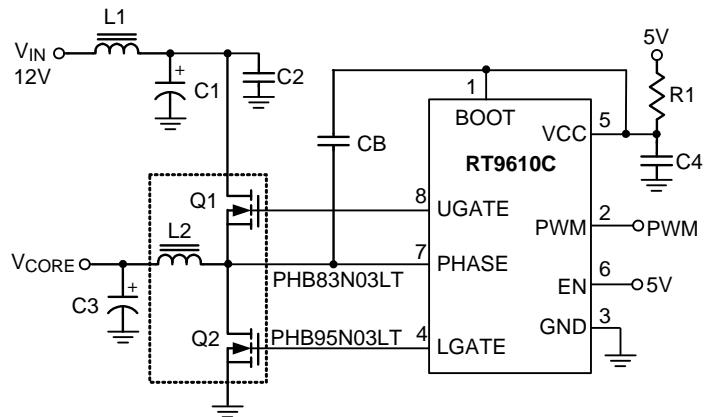
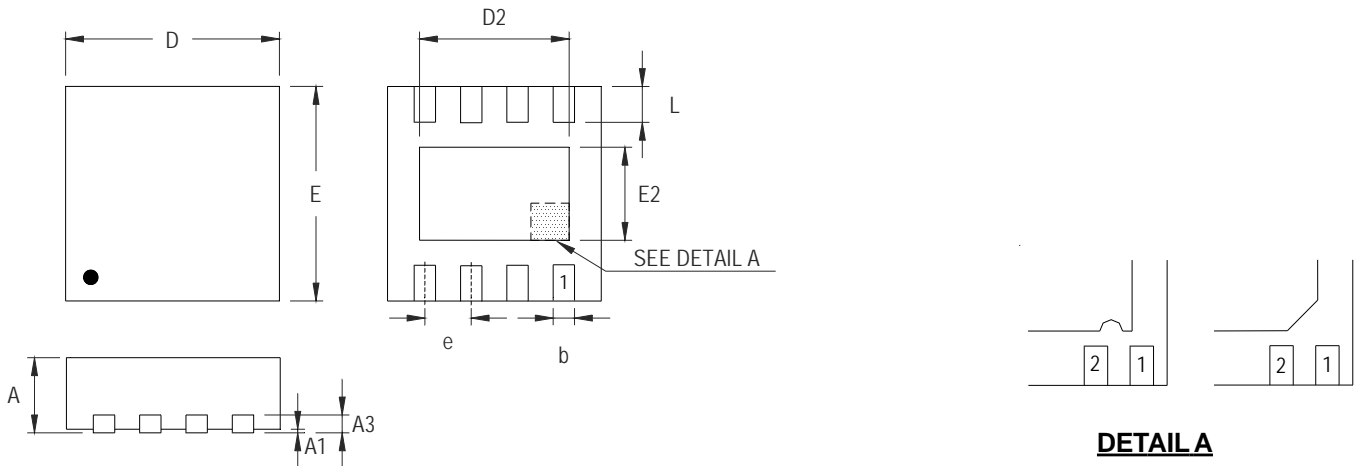


Figure 4. Synchronous Buck Converter Circuit

When layout the PCB, it should be very careful. The power circuit section is the most critical one. If not configured properly, it will generate a large amount of EMI. The junction of Q1, Q2, L2 should be very close.

Next, the trace from UGATE, and LGATE should also be short to decrease the noise of the driver output signals. PHASE signals from the junction of the power MOSFET, carrying the large gate drive current pulses, should be as heavy as the gate drive trace. The bypass capacitor C4 should be connected to GND directly. Furthermore, the bootstrap capacitors (C_B) should always be placed as close to the pins of the IC as possible.

Outline Dimension



DETAIL A

Pin #1 ID and Tie Bar Mark Options

Note : The configuration of the Pin #1 identifier is optional, but must be located within the zone indicated.

Symbol	Dimensions In Millimeters		Dimensions In Inches	
	Min	Max	Min	Max
A	0.700	0.800	0.028	0.031
A1	0.000	0.050	0.000	0.002
A3	0.175	0.250	0.007	0.010
b	0.200	0.300	0.008	0.012
D	1.950	2.050	0.077	0.081
D2	1.000	1.250	0.039	0.049
E	1.950	2.050	0.077	0.081
E2	0.400	0.650	0.016	0.026
e	0.500		0.020	
L	0.300	0.400	0.012	0.016

W-Type 8L DFN 2x2 Package

Richtek Technology Corporation

14F, No. 8, Tai Yuen 1st Street, Chupei City
 Hsinchu, Taiwan, R.O.C.
 Tel: (8863)5526789

Richtek products are sold by description only. Richtek reserves the right to change the circuitry and/or specifications without notice at any time. Customers should obtain the latest relevant information and data sheets before placing orders and should verify that such information is current and complete. Richtek cannot assume responsibility for use of any circuitry other than circuitry entirely embodied in a Richtek product. Information furnished by Richtek is believed to be accurate and reliable. However, no responsibility is assumed by Richtek or its subsidiaries for its use; nor for any infringements of patents or other rights of third parties which may result from its use. No license is granted by implication or otherwise under any patent or patent rights of Richtek or its subsidiaries.

X-ON Electronics

Largest Supplier of Electrical and Electronic Components

Click to view similar products for [Isolated DC/DC Converters](#) category:

Click to view products by [Richtek](#) manufacturer:

Other Similar products are found below :

[ESM6D044440C05AAQ](#) [FMD15.24G](#) [PSL486-7LR](#) [PSR152.5-7IR](#) [Q48T30020-NBB0](#) [AVO240-48S12B-6L](#) [AVO250-48S28B-6L](#) [NAN-0505](#) [HW-L16D](#) [JAHW100Y1](#) [217-1617-001](#) [22827](#) [SPB05C-12](#) [SQ24S15033-PS0S](#) [18952](#) [19-130041](#) [CE-1003](#) [CE-1004](#) [GQ2541-7R](#) [PSE1000DCDC-12V](#) [RDS180245](#) [MAU228](#) [419-2065-201](#) [449-2075-101](#) [J80-0041NL](#) [V300C24C150BG](#) [419-2062-200](#) [419-2063-401](#) [419-2067-101](#) [419-2067-501](#) [419-2068-001](#) [DCG40-5G](#) [DFC15U48D15](#) [449-2067-000](#) [XGS-0512](#) [XGS-1205](#) [XGS-1212](#) [XGS-2412](#) [XGS-2415](#) [XKS-1215](#) [033456](#) [NCT1000N040R050B](#) [SPB05B-15](#) [SPB05C-15](#) [SSQE48T25025-NAA0G](#) [L-DA20](#) [HP3040-9RG](#) [HP1001-9RTG](#) [XKS-2415](#) [XKS-2412](#)