

2A, 6.5V, Low Noise, Low Dropout Linear Regulator

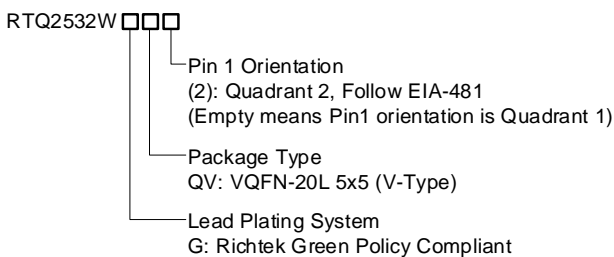
1 General Description

The RTQ2532W is a high-current (2A), low-noise (6.8μVRMS), high accuracy (1% over line, load, and temperature), low-dropout linear regulator (LDO) capable of sourcing 2A with extremely low dropout (max. 125mV). The device output voltage is pin-selectable (up to 3.95V) using a PCB layout without the need of external resistors, thus reducing overall component count. Designers can achieve higher output voltage with the use of external resistor divider. The device supports single input supply voltage as low to 1.1V that makes it easy to use.

The low noise, high PSRR and high output current capability makes the RTQ2532W ideal to power noise-sensitive devices such as analog-to-digital converters (ADCs), digital-to-analog converters (DACs), and RF components. With very high accuracy, remote sensing, and soft-start capabilities to reduce inrush current, the RTQ2532W is ideal for powering digital loads such as FPGAs, DSPs, and ASICs.

The external enable control and power good indicator function makes the control sequence easier. The output noise immunity is enhanced by adding external bypass capacitor on the NR/SS pin. The device is fully specified over the temperature range of T_J = -40°C to 125°C and is offered in a VQFN-20L 5x5 package.

2 Ordering Information



Note:

Richtek products are Richtek Green Policy compliant and compatible with the current requirements of IPC/JEDEC J-STD-020

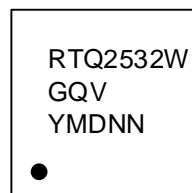
3 Features

- **Input Voltage Range : 1.1V to 6.5V**
- **Two Output Voltage Modes**
 - ▶ **0.8 V to 5.5V (Set by a Resistive Divider)**
 - ▶ **0.8 V to 3.95V (Set via PCB Layout, No External Resistor Required)**
- **Accurate Output Voltage Accuracy (1%) Over Line, Load and Temperature**
- **PSRR : 40dB at 500kHz**
- **Excellent Noise Immunity**
 - ▶ **6.8μVRMS at 0.8V Output**
 - ▶ **10μVRMS at 3.3V Output**
- **Low Dropout Voltage : 125mV at 2A**
- **Enable Control**
- **Programmable Soft-Start Output**
- **Stable with a 22μF or Larger Ceramic Output Capacitor**
- **Support Power-Good Indicator Function**

4 Applications

- Portable Electronic Devices
- Wireless Infrastructures : SerDes, FPGA, DSP
- RF, IF Components : VCO, ADC, DAC, LVDS

5 Marking Information

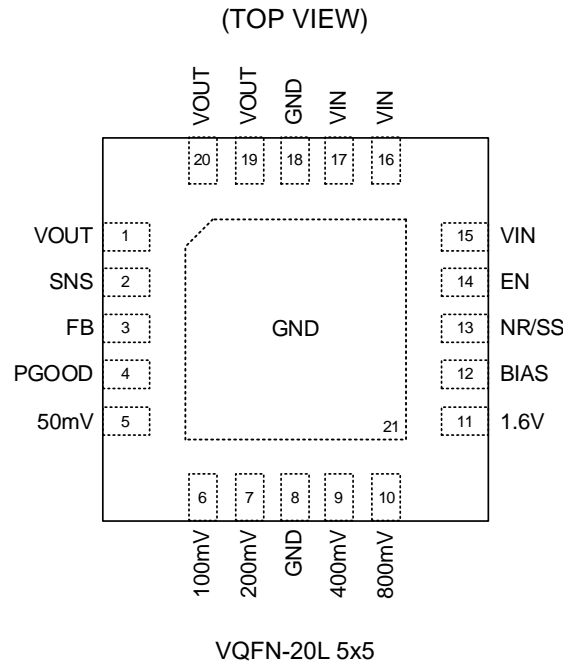


RTQ2532WGQV: Product Code
YMDNN: Date Code

Table of Contents

1	General Description -----	1	17	Application Information -----	17
2	Ordering Information -----	1	17.1	Output Voltage Setting-----	17
3	Features -----	1	17.2	Dropout Voltage-----	18
4	Applications -----	1	17.3	C _{IN} and C _{OUT} Selection-----	18
5	Marking Information -----	1	17.4	Feed-Forward Capacitor (C _{FF})-----	19
6	Pin Configuration -----	3	17.5	Soft-Start and Noise Reduction (C _{NR/SS})	19
7	Functional Pin Description -----	3			
8	Functional Block Diagram -----	5	17.6	Input Inrush Current-----	19
9	Absolute Maximum Ratings -----	6	17.7	Under-Voltage Lockout (UVLO)-----	19
10	ESD Ratings -----	6	17.8	Power-Good (PGOOD) Function-----	20
11	Recommended Operating Conditions -----	6	17.9	Reverse Current Protection-----	21
12	Thermal Information -----	6	17.10	Thermal Considerations-----	21
13	Electrical Characteristics -----	7	17.11	Layout Considerations-----	22
14	Typical Application Circuit -----	9	18	Outline Dimension -----	23
15	Typical Operating Characteristics -----	12	19	Footprint Information -----	24
16	Operation -----	15	20	Packing Information -----	25
	16.1 Enable and Shutdown-----	15	20.1	Tape and Reel Data-----	25
	16.2 V _{OUT} Programming Pins-----	15	20.2	Tape and Reel Packing-----	26
	16.3 Programmable Soft-Start-----	15	20.3	Packing Material Anti-ESD Property---	27
	16.4 Power Good-----	15	21	Datasheet Revision History -----	28
	16.5 Under-Voltage Lockout (UVLO)-----	15			
	16.6 Internal Current Limit (I _{LIM})-----	16			
	16.7 Over-Temperature Protection (OTP) --	16			
	16.8 Output Active Discharge-----	16			

6 Pin Configuration

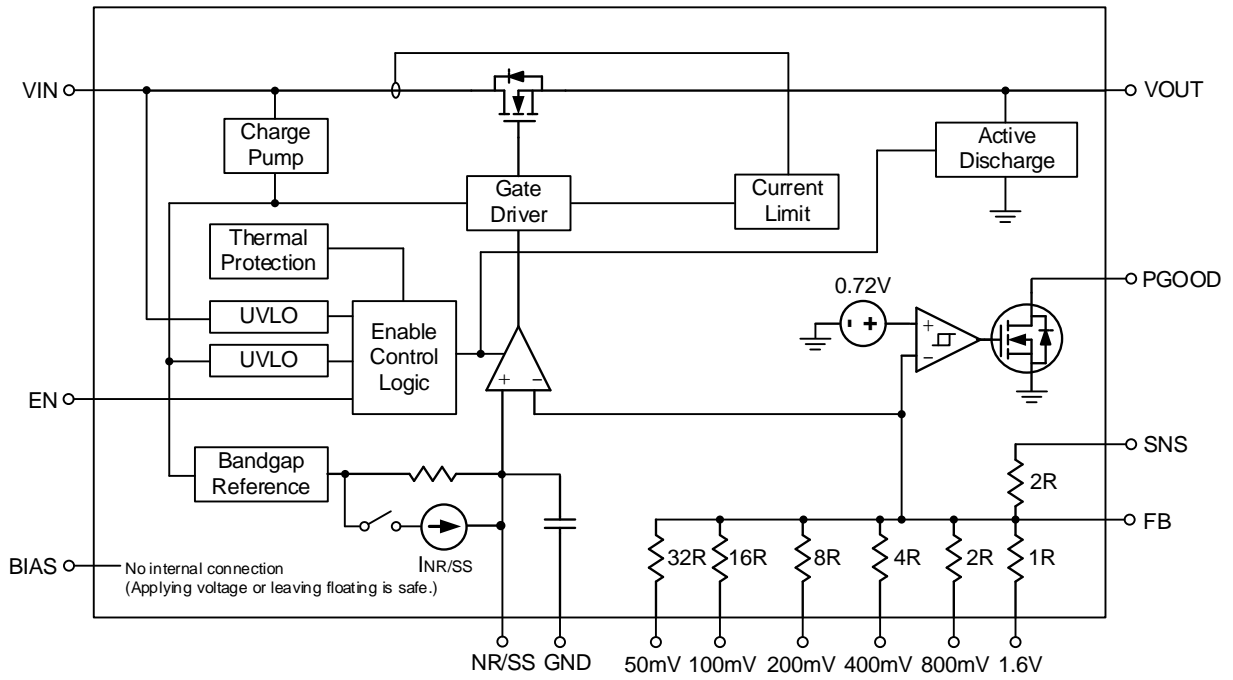


7 Functional Pin Description

Pin No.	Pin Name	Pin Function
1, 19, 20	VOUT	LDO output pins. A 22 μ F or larger ceramic capacitor (10 μ F or greater effective capacitance) is required for stability. Place the output capacitor as close to the device as possible and minimize the impedance between VOUT pin and load.
2	SNS	Output voltage sense input pin. Connect this pin only if using the configuration without external resistors. Keep the SNS pin floating if the VOUT voltage is set by external resistor.
3	FB	Feedback voltage input. This pin is used to set the desired output voltage via an external resistive divider. The feedback reference voltage is 0.8V typically.
4	PGOOD	Power good indicator output. An open-drain output and active high when the output voltage reaches 88% of the target. The pin is pulled to ground when the output voltage is lower than its specified thresholds, including EN shutdown, OCP and OTP.
5, 6, 7, 9, 10, 11	50mV, 100mV, 200mV, 400mV, 800mV, 1.6V	Output voltage setting pins. Connect these pins to ground or leave floating. Connecting these pins to ground increases the output voltage by the value of the pin name; multiple pins can be simultaneously connected to GND to select the desired output voltage. Leave these pins floating (open) if the VOUT voltage is set by external resistor.
8, 18, 21 (Exposed Pad)	GND	Ground. The exposed pad must be soldered to a large PCB and connected to GND for maximum power dissipation.
12	BIAS	This pin has no internal IC connection. A BIAS input voltage below 6.5V can be applied to this pin (for compatibility with other vendors) or this pin can be left open (floating). Either option is safe and will not affect IC operation.

Pin No.	Pin Name	Pin Function
13	NR/SS	Noise-reduction and soft-start pin. Decouple this pin to GND with an external capacitor $C_{NR/SS}$ can not only reduce output noise to very low levels but also slow down the rising of V_{OUT} , providing a soft-start behavior. For low noise applications, a 10nF to 1 μ F $C_{NR/SS}$ is suggested.
14	EN	Enable control input. Connecting this pin to logic-high enables the regulator, and driving this pin low puts it into shutdown mode. The device can have V_{IN} and V_{EN} sequenced in any order without causing damage to the device. However, to ensure the soft-start function works as intended, certain sequencing rules must be applied. Enabling the device after V_{IN} is present is preferred.
15, 16, 17	V_{IN}	Supply input. A general 22 μ F ceramic capacitor should be placed as close as possible to this pin for better noise rejection.

8 Functional Block Diagram



9 Absolute Maximum Ratings

(Note 1)

- VIN, PGOOD, EN----- -0.3V to 7V
- VOUT----- -0.3V to 7V
- NR/SS, FB----- -0.3V to 3.6V
- Lead Temperature (Soldering, 10 sec.)----- 260°C
- Junction Temperature ----- 150°C
- Storage Temperature Range ----- -65°C to 150°C

Note 1. Stresses beyond those listed under “Absolute Maximum Ratings” may cause permanent damage to the device. These are stress ratings only, and functional operation of the device at these or any other conditions beyond those indicated in the operational sections of the specifications is not implied. Exposure to absolute maximum rating conditions may affect device reliability.

10 ESD Ratings

(Note 2)

- ESD Susceptibility
- HBM (Human Body Model)----- 2kV

Note 2. Devices are ESD sensitive. Handling precautions are recommended.

11 Recommended Operating Conditions

(Note 3)

- Supply Input Voltage, VIN----- 1.1V to 6.5V
- Junction Temperature Range----- -40°C to 125°C

Note 3. The device is not guaranteed to function outside its operating conditions.

12 Thermal Information

(Note 4 and Note 5)

Thermal Parameter		VQFN-20L 5x5	Unit
θ_{JA}	Junction-to-ambient thermal resistance (JEDEC standard)	32.51	°C/W
$\theta_{JC(Top)}$	Junction-to-case (top) thermal resistance	30.82	°C/W
$\theta_{JC(Bottom)}$	Junction-to-case (bottom) thermal resistance	1.73	°C/W
$\theta_{JA(EVB)}$	Junction-to-ambient thermal resistance (specific EVB)	34.82	°C/W
$\Psi_{JC(Top)}$	Junction-to-top characterization parameter	3.69	°C/W
Ψ_{JB}	Junction-to-board characterization parameter	18.89	°C/W

Note 4. For more information about thermal parameter, see the Application and Definition of Thermal Resistances report, AN061.

Note 5. $\theta_{JA(EVB)}$, $\Psi_{JC(Top)}$ and Ψ_{JB} are measured on a high effective-thermal-conductivity four-layer test board which is in size of 70mm x 50mm; furthermore, all layers with 1 oz. Cu. Thermal resistance/parameter values may vary depending on the PCB material, layout, and test environmental conditions.

13 Electrical Characteristics

Over operating temperature range ($T_J = -40^{\circ}\text{C}$ to 125°C), ($1.1\text{V} \leq V_{IN} < 6.5\text{V}$ and $V_{IN} \geq V_{OUT(\text{TARGET})} + 0.3\text{V}$, $V_{OUT(\text{TARGET})} = 0.8\text{V}$, V_{OUT} connected to 50Ω to GND, $V_{EN} = 1.1\text{V}$, $C_{IN} = 10\mu\text{F}$, $C_{OUT} = 22\mu\text{F}$, $C_{NR/SS} = 0\text{nF}$, $C_{FF} = 0\text{nF}$, and PGOOD pin pulled up to V_{IN} with $100\text{k}\Omega$, unless otherwise noted. (Note 6)

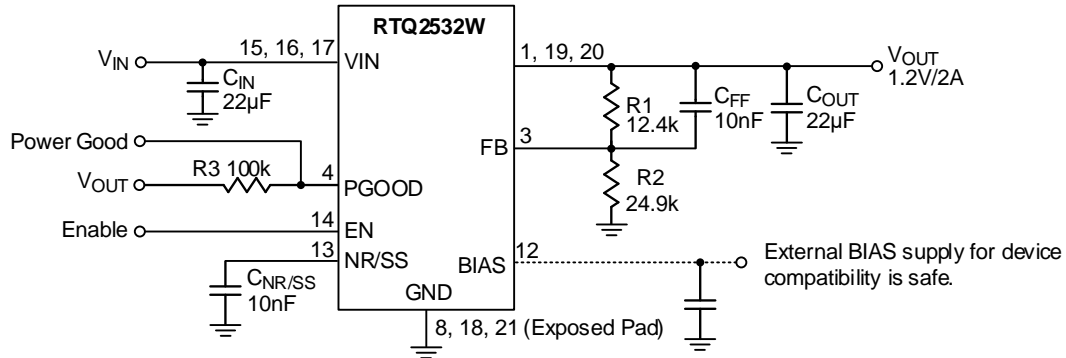
Parameter	Symbol	Test Conditions	Min	Typ	Max	Unit
VIN Supply Input Voltage	V_{IN}		1.1	--	6.5	V
Reference Voltage	V_{REF}		--	0.8	--	V
NR/SS Pin Voltage	$V_{NR/SS}$		--	0.8	---	V
Undervoltage Lockout Rising Threshold	V_{UVLO_R}	V_{IN} increasing	--	1.02	1.085	V
Undervoltage Lockout Hysteresis	V_{UVLO_HYS}	Hysteresis	--	100	--	mV
Output Voltage	V_{OUT}	Using voltage setting pins (50mV, 100mV, 200mV, 400mV, 800mV, and 1.6V)	0.8V	--	3.95V	V
		Using external resistors	0.8V	--	5.5V	V
Output Voltage Accuracy (Note 7)	V_{OUT_ACC}	$V_{IN} = V_{OUT} + 0.3\text{V}$, $0.8\text{V} \leq V_{OUT} \leq 5.5\text{V}$, $1\text{mA} \leq I_{OUT} \leq 2\text{A}$	-1	--	1	%
Line Regulation	V_{LINE_REG}	$I_{OUT} = 1\text{mA}$, $1.1\text{V} \leq V_{IN} \leq 6.5\text{V}$	--	0.05	--	%/V
Load Regulation	V_{LOAD_REG}	$1\text{mA} \leq I_{OUT} \leq 2\text{A}$	--	0.08	--	%/A
Dropout Voltage	V_{DROP}	$V_{IN} = 1.1\text{V}$ to 6.5V , $I_{OUT} = 2\text{A}$, $V_{FB} = 0.8\text{V} - 3\%$	--	--	125	mV
Current Limit	I_{LIM}	$V_{OUT} = 90\% V_{OUT(\text{TARGET})}$, $V_{IN} = V_{OUT(\text{TARGET})} + 400\text{mV}$	2.2	3.3	3.8	A
Short-Circuit Current Limit	I_{SC}	$R_{LOAD} = 20\text{m}\Omega$, under foldback operation	--	1	--	A
Ground Pin Current	I_{GND}	Minimum load, $V_{IN} = 6.5\text{V}$, $I_{OUT} = 5\text{mA}$	--	2.8	4	mA
		Maximum load, $V_{IN} = 1.1\text{V}$, $I_{OUT} = 2\text{A}$	--	3.7	5.5	
Shutdown Current	I_{SHDN}	Shutdown, PGOOD = Open, $V_{IN} = 6.5\text{V}$, $V_{EN} = 0.5\text{V}$	--	--	25	μA
EN Pin Current	I_{EN}	$V_{IN} = 6.5\text{V}$, $V_{EN} = 0\text{V}$ and 6.5V	-0.1	--	0.1	μA
EN Input Voltage Rising threshold	V_{EN_R}	Enable device	1.1	--	6.5	V
EN Input Voltage Falling threshold	V_{EN_F}	Disable device	0	--	0.5	
Power-Good Voltage Threshold	V_{PGOOD}	For the direction PGOOD signal falling with decreasing V_{OUT}	$0.82 \times V_{OUT}$	$0.883 \times V_{OUT}$	$0.93 \times V_{OUT}$	V

Parameter	Symbol	Test Conditions	Min	Typ	Max	Unit	
Power-Good Voltage Hysteresis	VPGOOD_HYS	For PGOOD signal rising	--	2% x V _{OUT}	--	V	
PGOOD Pin Low- Level Output Voltage	VPGOOD_L	V _{OUT} < V _{PGOOD} , I _{PGOOD} = -1mA (current into device)	--	--	0.4	V	
PGOOD Pin Leakage Current	IPGOOD_LK	V _{OUT} > V _{PGOOD} , V _{PGOOD} = 6.5V	--	--	1	μA	
NR/SS Pin Charging Current	INR/SS	V _{NR/SS} = GND, V _{IN} = 6.5V	4	--	9	μA	
FB Pin Current	IFB	V _{IN} = 6.5V	-100	--	100	nA	
Power Supply Rejection Ratio	PSRR	V _{IN} - V _{OUT} = 0.4V, I _{OUT} = 2A, C _{NR/SS} = 100nF, C _{FF} = 10nF, C _{OUT} = 22μF	f = 10kHz, V _{OUT} = 0.8V	--	42	--	dB
			f = 500kHz, V _{OUT} = 0.8V	--	39	--	
			f = 10kHz, V _{OUT} = 5V	--	40	--	
			f = 500kHz, V _{OUT} = 5V	--	25	--	
Output Noise	V _n	BW = 10Hz to 100kHz, I _{OUT} = 2A, C _{NR/SS} = 100nF, C _{FF} = 10nF, C _{OUT} = 22μF	V _{IN} = 1.1V, V _{OUT} = 0.8V	--	6.8	--	μV _{RMS}
			V _{IN} = 3.6V, V _{OUT} = 3.3V	--	10	--	
			V _{OUT} = 5 V	--	16	--	
Over-Temperature Protection Threshold	TOTP		--	160	--	°C	
Over-Temperature Protection Hysteresis	TOTP_HYS		--	20	--		

Note 6. V_{OUT(TARGET)} is the expected V_{OUT} value set by the external feedback resistors. The 50Ω load is disconnected when the test conditions specify an I_{OUT} value.

Note 7. External resistor tolerance is not taken into account.

14 Typical Application Circuit



$$V_{OUT} = V_{REF} \times \left(1 + \frac{R1}{R2}\right) = 0.8V \times \left(1 + \frac{12.4k}{24.9k}\right) = 1.2V$$

Figure 1. Configuration Circuit for V_{OUT} Adjusted by a Resistive Divider

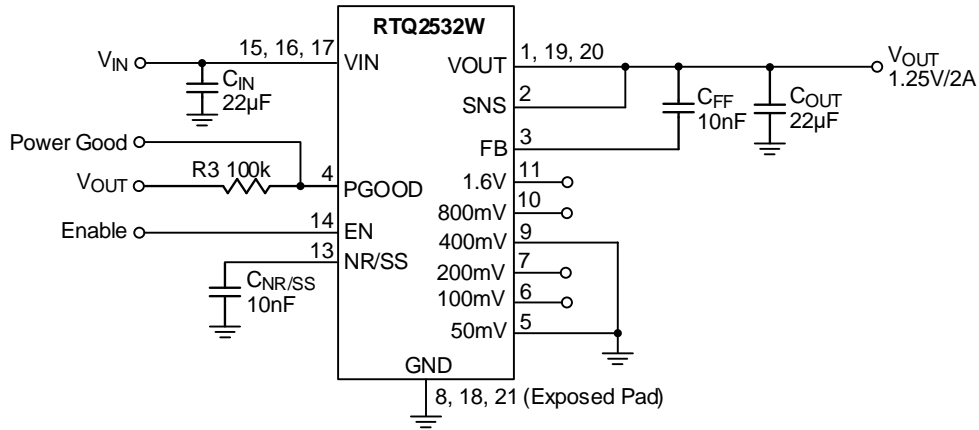
Table 1. Recommended Feedback-Resistor Values

Output Voltage (V)	External Restive Divider Combinations	
	R1 (kΩ)	R2 (kΩ)
0.9	12.4	100
1	12.4	49.9
1.2	12.4	24.9
1.5	12.4	14.3
1.8	12.4	10
2.5	12.4	5.9
3.3	11.8	3.74
4.5	11.8	2.55
5	12.4	2.37

Table 2. Recommended External Components

Component	Description	Vendor P/N
CFF, CNR/SS	10nF, 50V, X7R, 0603	GCD188R71H103KA01 (Murata)
*COUT, CIN	22µF, 16V, X5R, 0805	GRM21BR61C226ME44 (Murata)

* : Considering the effective capacitance derated with biased voltage level, the C_{OUT} component needs to satisfy the effective capacitance at least 10µF or above at targeted output level for stable and normal operation.



$$V_{OUT} = V_{REF} + 50mV + 400mV = 0.8V + 50mV + 400mV = 1.25V$$

(Table 3. provides a full list for different VOUT targets and the corresponding pin settings.)

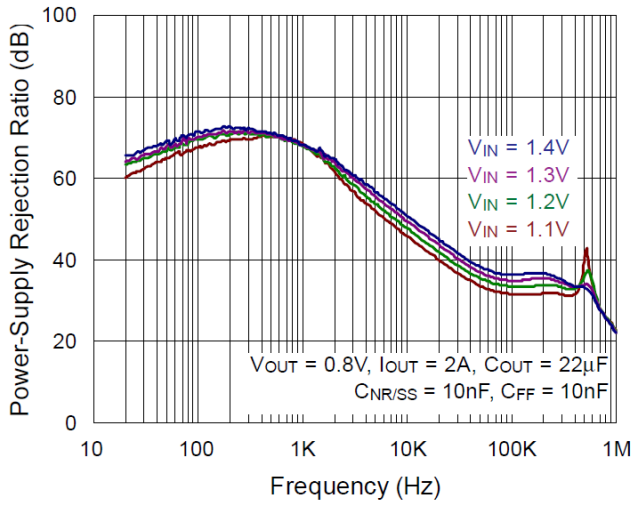
Figure 2. Configuration Circuit for Adjusted VOUT via PCB Layout

Table 3. V_{OUT} Select Pin Settings for Different Targets

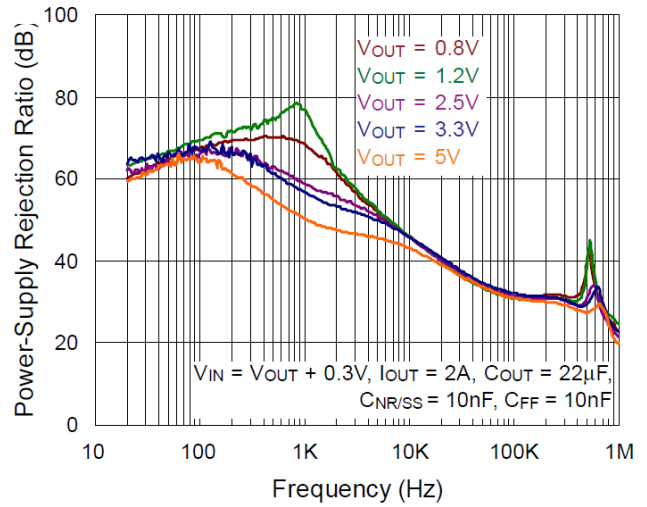
V _{OUT} (V)	50mV	100mV	200mV	400mV	800mV	1.6V	V _{OUT} (V)	50mV	100mV	200mV	400mV	800mV	1.6V
0.8	Open	Open	Open	Open	Open	Open	2.4	Open	Open	Open	Open	Open	GND
0.85	GND	Open	Open	Open	Open	Open	2.45	GND	Open	Open	Open	Open	GND
0.9	Open	GND	Open	Open	Open	Open	2.5	Open	GND	Open	Open	Open	GND
0.95	GND	GND	Open	Open	Open	Open	2.55	GND	GND	Open	Open	Open	GND
1	Open	Open	GND	Open	Open	Open	2.6	Open	Open	GND	Open	Open	GND
1.05	GND	Open	GND	Open	Open	Open	2.65	GND	Open	GND	Open	Open	GND
1.1	Open	GND	GND	Open	Open	Open	2.7	Open	GND	GND	Open	Open	GND
1.15	GND	GND	GND	Open	Open	Open	2.75	GND	GND	GND	Open	Open	GND
1.2	Open	Open	Open	GND	Open	Open	2.8	Open	Open	Open	GND	Open	GND
1.25	GND	Open	Open	GND	Open	Open	2.85	GND	Open	Open	GND	Open	GND
1.3	Open	GND	Open	GND	Open	Open	2.9	Open	GND	Open	GND	Open	GND
1.35	GND	GND	Open	GND	Open	Open	2.95	GND	GND	Open	GND	Open	GND
1.4	Open	Open	GND	GND	Open	Open	3	Open	Open	GND	GND	Open	GND
1.45	GND	Open	GND	GND	Open	Open	3.05	GND	Open	GND	GND	Open	GND
1.5	Open	GND	GND	GND	Open	Open	3.1	Open	GND	GND	GND	Open	GND
1.55	GND	GND	GND	GND	Open	Open	3.15	GND	GND	GND	GND	Open	GND
1.6	Open	Open	Open	Open	GND	Open	3.2	Open	Open	Open	Open	GND	GND
1.65	GND	Open	Open	Open	GND	Open	3.25	GND	Open	Open	Open	GND	GND
1.7	Open	GND	Open	Open	GND	Open	3.3	Open	GND	Open	Open	GND	GND
1.75	GND	GND	Open	Open	GND	Open	3.35	GND	GND	Open	Open	GND	GND
1.8	Open	Open	GND	Open	GND	Open	3.4	Open	Open	GND	Open	GND	GND
1.85	GND	Open	GND	Open	GND	Open	3.45	GND	Open	GND	Open	GND	GND
1.9	Open	GND	GND	Open	GND	Open	3.5	Open	GND	GND	Open	GND	GND
1.95	GND	GND	GND	Open	GND	Open	3.55	GND	GND	GND	Open	GND	GND
2	Open	Open	Open	GND	GND	Open	3.6	Open	Open	Open	GND	GND	GND
2.05	GND	Open	Open	GND	GND	Open	3.65	GND	Open	Open	GND	GND	GND
2.1	Open	GND	Open	GND	GND	Open	3.7	Open	GND	Open	GND	GND	GND
2.15	GND	GND	Open	GND	GND	Open	3.75	GND	GND	Open	GND	GND	GND
2.2	Open	Open	GND	GND	GND	Open	3.8	Open	Open	GND	GND	GND	GND
2.25	GND	Open	GND	GND	GND	Open	3.85	GND	Open	GND	GND	GND	GND
2.3	Open	GND	GND	GND	GND	Open	3.9	Open	GND	GND	GND	GND	GND
2.35	GND	GND	GND	GND	GND	Open	3.95	GND	GND	GND	GND	GND	GND

15 Typical Operating Characteristics

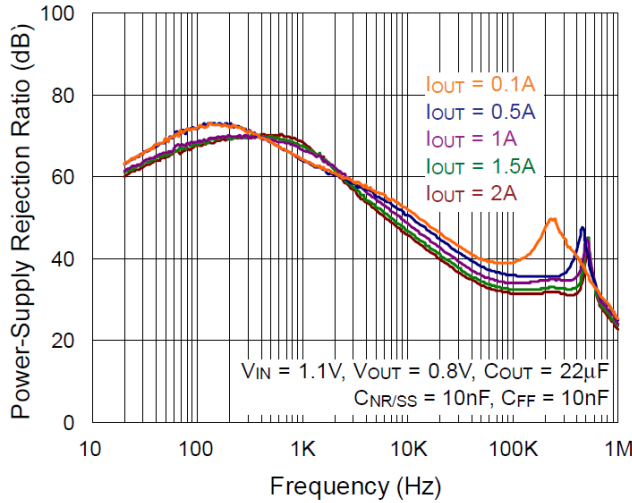
PSRR vs. Frequency and V_{IN}



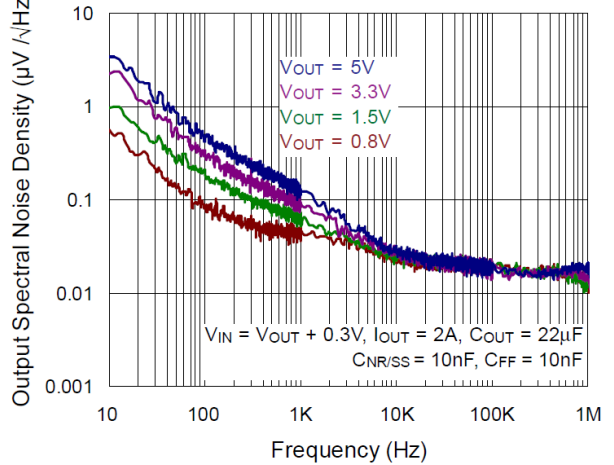
PSRR vs. Frequency and V_{OUT}



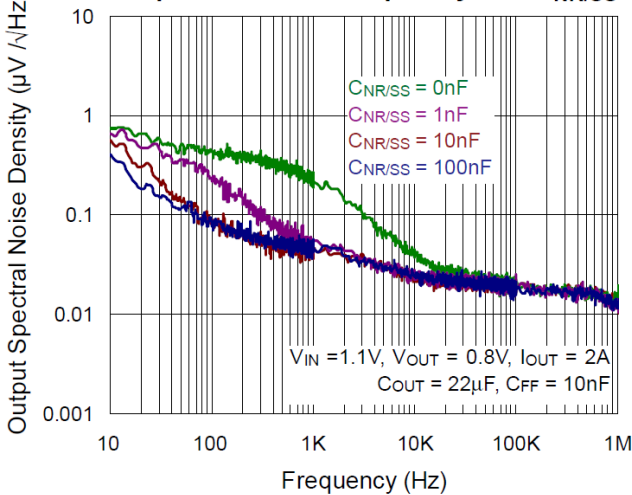
PSRR vs. Frequency and I_{OUT}



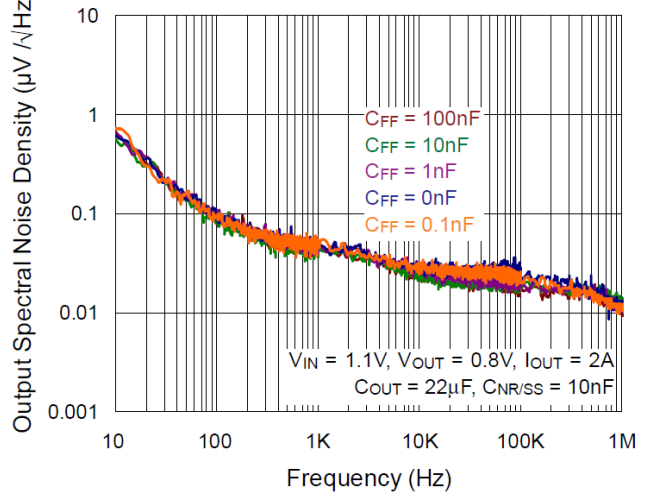
Output Noise vs. Frequency and Output Voltage



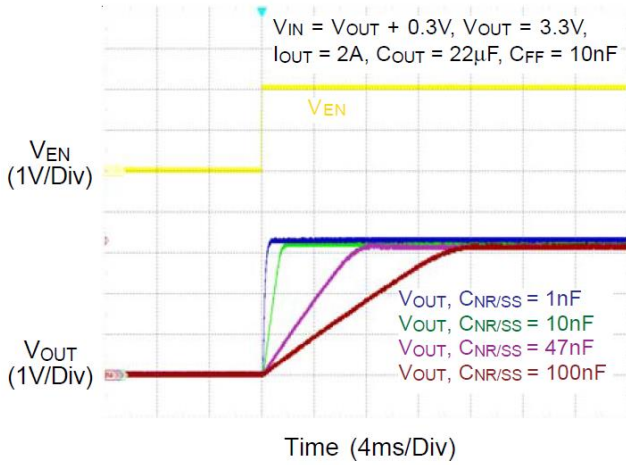
Output Noise vs. Frequency and $C_{NR/SS}$



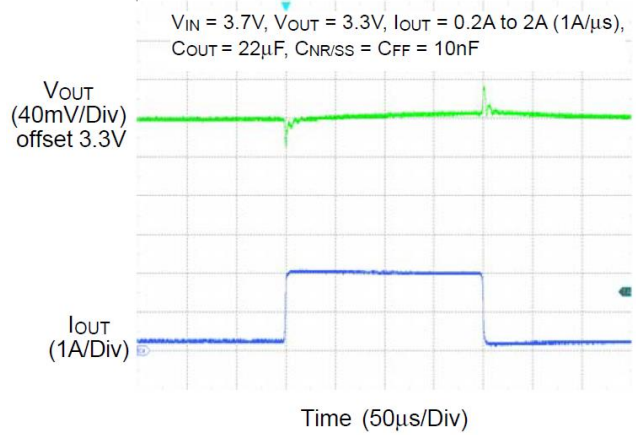
Output Noise vs. Frequency and C_{FF}



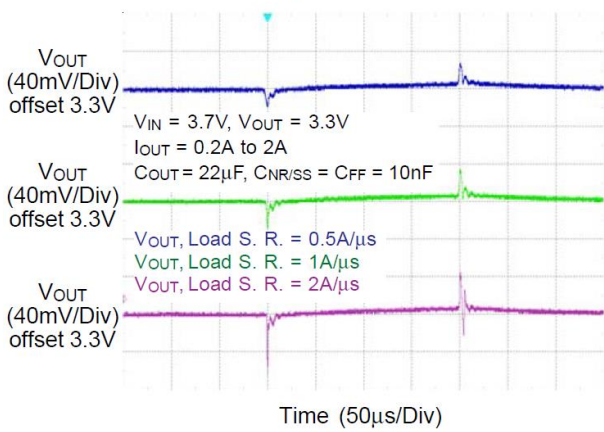
Power Up Response



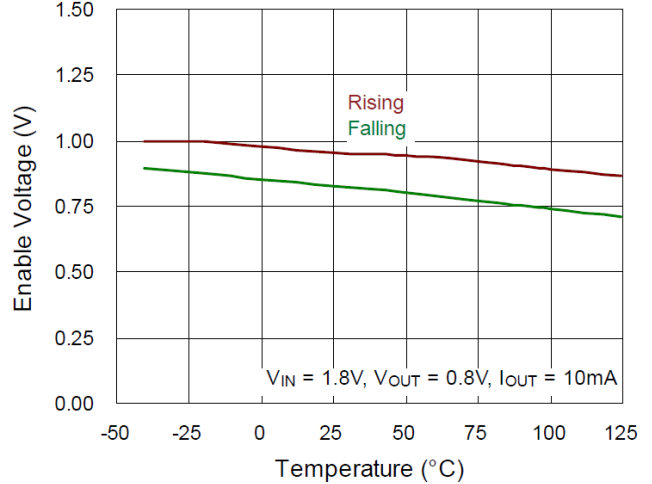
Load Transient Response



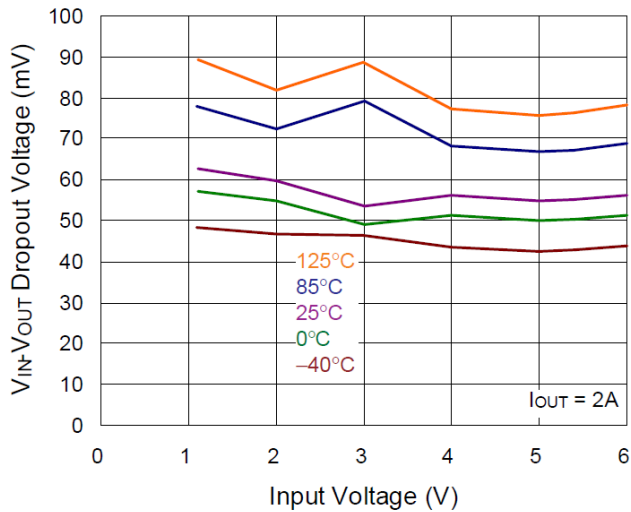
Load Transient Response vs. Load Slew Rate



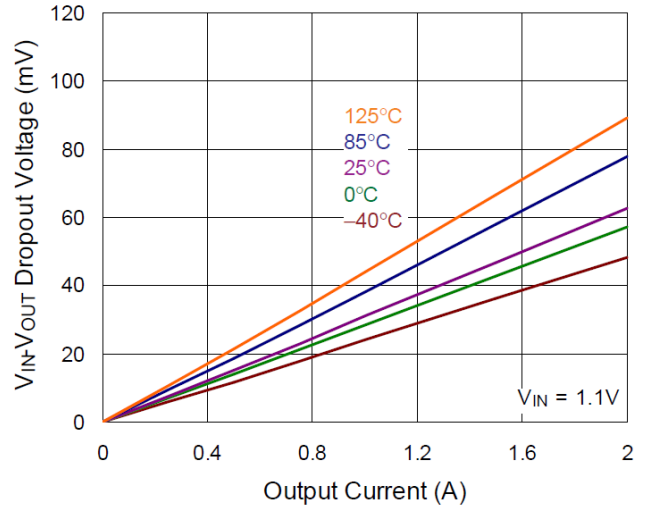
Enable Voltage vs. Temperature

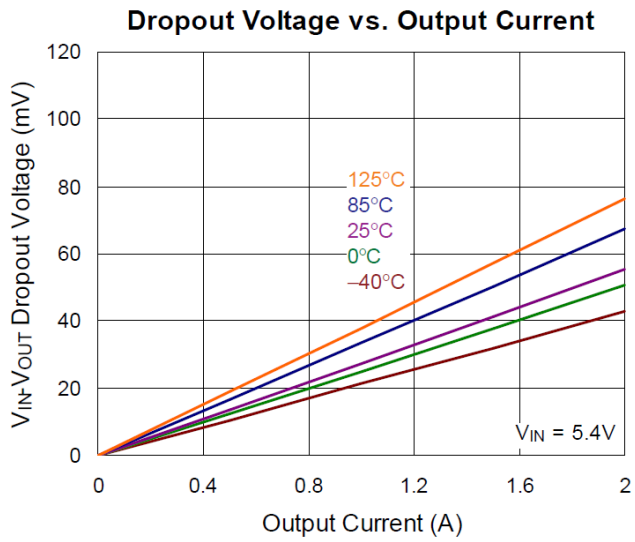


Dropout Voltage vs. Input Voltage



Dropout Voltage vs. Output Current





16 Operation

The RTQ2532W operates with single supply input ranging from 1.1V to 6.5V and is capable of delivering up to 2A current to the output. The device features high PSRR and low noise to provide a clean supply to the application.

A low-noise reference and error amplifier are included to reduce device noise. The NR/SS capacitor filters the noise from the reference, and the feed-forward capacitor filters the noise from the error amplifier. The high power-supply rejection ratio (PSRR) of the RTQ2532W minimizes the coupling of input supply noise to the output.

16.1 Enable and Shutdown

The RTQ2532W provides an EN pin, as an external chip enable control, to enable or disable the device. V_{EN} below 0.5 V turns the regulator off and enters the shutdown mode, while V_{EN} above 1.1V turns the regulator on. When the regulator is shutdown, the ground current is reduced to a maximum of 25 μ A. The enable circuitry has hysteresis (typically 50mV) for use with relatively slowly ramping analog signals.

If not used, connect the EN pin as close as possible to the largest capacitance on the input to prevent voltage droops on the V_{IN} line from triggering the enable circuit.

16.2 VOUT Programming Pins

The built-in matched feedback resistor network of the RTQ2532W can set the output voltage. The output voltage can be programmed from 0.8V to 3.95V in 50mV steps when tying these programming pins 5, 6, 7, 9, 10, and 11 to ground. Tying any of the VOUT programming pins to SNS can lower the value of the upper resistor divider. Hence, the VOUT programming resolution is increased.

16.3 Programmable Soft-Start

The noise-reduction capacitor ($C_{NR/SS}$) reduces noise and programs the soft-start ramp time during turn-on. When EN and UVLO exceed the respective threshold voltage, the RTQ2532W activates a quick-start circuit to charge the noise reduction capacitor ($C_{NR/SS}$) and then the output voltage ramps up.

16.4 Power Good

The power-good circuit monitors the feedback pin voltage to indicate the status of the output voltage. The open-drain PGOOD pin requires an external pull-up resistor to an external supply, and any downstream device can receive power-good as a logic signal that can be used for sequencing. A pull-up resistor from 10k Ω to 100k Ω is recommended. Make sure that the external pull-up supply voltage results in a valid logic signal for the receiving device or devices.

After start-up, the PGOOD pin becomes high impedance when the feedback voltage exceeds V_{PGOOD_HYS} (typically 90% of 0.8V reference voltage level). The PGOOD is pulled to GND when the feedback pin voltage falls below the V_{PGOOD} , when EN is low, or the current limit or OTP levels are reached.

16.5 Under-Voltage Lockout (UVLO)

The UVLO circuit monitors the input voltage to prevent the device from turning on before V_{IN} rises above the V_{UVLO} threshold. The UVLO circuit also disables the output of the device when V_{IN} falls below the lockout voltage ($V_{UVLO_R} - V_{UVLO_HYS}$). The UVLO circuit responds quickly to glitches on V_{IN} and attempts to disable the output of the device if V_{IN} collapses.

16.6 Internal Current Limit (I_{LIM})

The RTQ2532W continuously monitors the output current to protect the device against high load current faults or short events. The current limit circuitry is not intended to allow operation above the rated current of the device. Continuously running the RTQ2532W above the rated current degrades the reliability of the device.

During current limit, the output voltage falls when load impedance decreases. If the output voltage is low, excessive power may cause the output thermal shutdown.

A foldback feature limits the short-circuit current to protect the regulator from damage under all load conditions. If the load current demand exceeds the foldback current limit before EN goes high, the device does not turn on.

16.7 Over-Temperature Protection (OTP)

The RTQ2532W implements over-temperature protection. The device is disabled when the junction temperature (T_J) exceeds 160°C (typical). The LDO automatically turns on again when the temperature falls below 140°C (typical).

For reliable operation, limit the junction temperature to a maximum of 125°C. Continuously running the RTQ2532W into thermal shutdown or above a junction temperature of 125°C reduces long-term reliability.

16.8 Output Active Discharge

When the device is disabled, the RTQ2532W discharges the LDO output (via VOUT pins) through an internal current sink to ground. Do not rely on the active discharge circuit for discharging a large amount of output capacitance after the input supply collapses because reverse current can possibly flow from the output to the input. External current protection should be added if the device work at reverse voltage state.

17 Application Information

Richtek's component specification does not include the following information in the Application Information section. Thereby no warranty is given regarding its validity and accuracy. Customers should take responsibility to verify their own designs and reserve suitable design margin to ensure the functional suitability of their components and systems.

The RTQ2532W is a high current, low-noise, high accuracy, low-dropout linear regulator which is capable of sourcing 2A with maximum dropout of 125mV. The input voltage operating range is 1.1V to 6.5V, and the adjustable output voltage is 0.8V to 5.5V according to the external resistor setting or 0.8V to 3.95V via PCB Layout to short specific pins and get the required output target.

17.1 Output Voltage Setting

The output voltage of the RTQ2532W can be set by external resistors or by using the output voltage setting pins (50mV, 100mV, 200mV, 400mV, 800mV and 1.6V) to achieve different output targets.

By using external resistors, the output voltage is determined by the values of R1 and R2 as shown in [Figure 3](#). The values of R1 and R2 can be calculated for any voltage value using the following formula:

$$V_{OUT} = 0.8 \times \frac{R1 + R2}{R2}$$

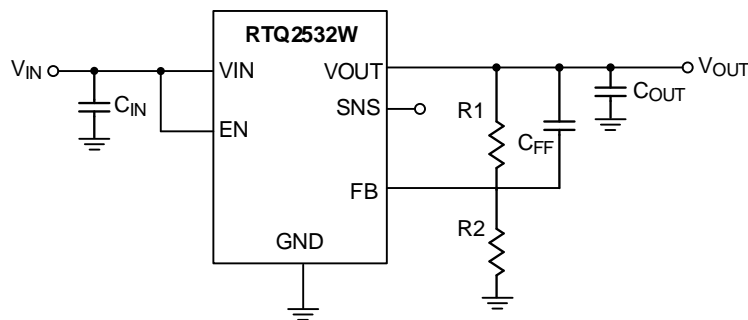


Figure 3. Output Voltage Set by External Resistors

The RTQ2532W can also short pins 5, 6, 7, 9, 10, and 11 to ground and program the regulated output voltage level without external resistors after the SNS pin is connected to the VOUT. Pins 5, 6, 7, 9, 10, and 11 are connected with internal resistor pairs. Each pin is either connected to ground (active) or left open (floating).

Voltage programming is set as the sum of the internal reference voltage ($V_{REF} = 0.8V$) plus the accumulated sum of the respective voltages assigned to each active pin as illustrated in [Figure 4](#).

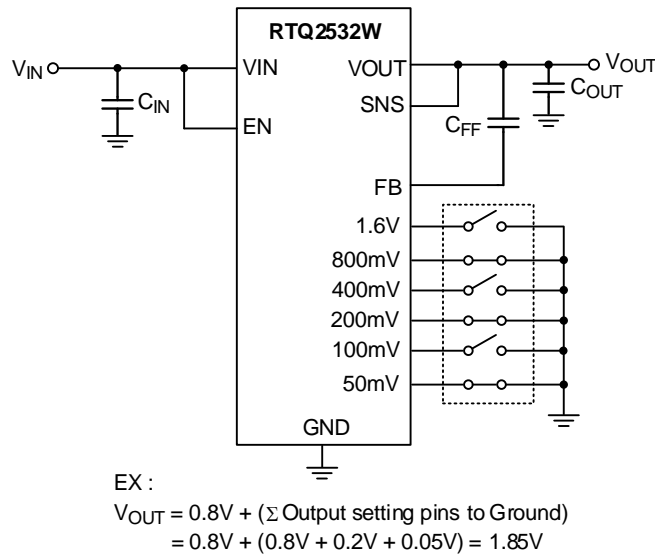


Figure 4. Output Setting without External Resistors

Table 2 summarizes these voltage values associated with each active pin setting for reference. By leaving all programming pins open, or floating, the output is thereby programmed to the minimum possible output voltage which equals to VREF (0.8V). The maximum output target can be supported up to 3.95V after all pins 5, 6, 7, 9, 10, and 11 are shorted with ground at the same time.

17.2 Dropout Voltage

The dropout voltage refers to the voltage difference between the VIN and VOUT pins while operating at a specific output current. The dropout voltage VDROP also can be expressed as the voltage drop on the pass-FET at a specific output current (IRATED) while the pass-FET is fully operating in the ohmic region and the pass-FET can be characterized as a resistance RDS(ON). Thus, the dropout voltage can be defined as (VDROP = VIN – VOUT = RDS(ON) x IRATED). For normal operation, the suggested LDO operating range is (VIN > VOUT + VDROP) for good transient response and PSRR performance. However, operation in the ohmic region will degrade the performance severely.

17.3 CIN and COUT Selection

The RTQ2532W is designed to support low-series-resistance (ESR) ceramic capacitors. X7R, X5R, and COG-rated ceramic capacitors are recommended due to its good capacitive stability across different temperatures, whereas the use of Y5V-rated capacitors is not recommended because of large capacitance variations.

However, the capacitance of ceramic capacitors varies with operating voltage and temperature, and the design engineer must be aware of these characteristics. Ceramic capacitors are usually recommended to be derated by 50%. A 22µF or greater output ceramic capacitor (or 10µF effective capacitance) is suggested to ensure stability. Input capacitance is selected to minimize transient input drop during load current steps. For general applications, an input capacitor of at least 22µF is highly recommended for minimal input impedance. If the trace inductance between the RTQ2532W input pin and power supply is high, a fast load transient can cause VIN voltage level ringing above the absolute maximum voltage rating which damages the device. Adding more input capacitors is available to restrict the ringing and keep it below the device absolute maximum ratings.

17.4 Feed-Forward Capacitor (CFF)

The RTQ2532W is designed to be stable without the external feed-forward capacitor (CFF). However, a 10nF external feed-forward capacitor optimizes the transient, noise, and PSRR performances. A higher capacitance of CFF can also be used, but the start-up time will be longer and the power-good signal will incorrectly indicate that the output voltage is settled.

17.5 Soft-Start and Noise Reduction (CNR/SS)

The RTQ2532W is designed for a programmable, monotonic soft-start time during the output rising, which can be achieved via an external capacitor (CNR/SS) on NR/SS pin. Using an external CNR/SS is recommended for general application. It is not only for the in-rush current minimization but also helps reduce the noise component from the internal reference.

During the monotonic start-up procedure, the error amplifier of the RTQ2532W tracks the voltage ramp of the external soft-start capacitor (CNR/SS) until the voltage approaches the internal reference 0.8V. The soft-start ramp time can be calculated with Equation a1, which depends on the soft-start charging current (INR/SS), the soft-start capacitance (CNR/SS), and the internal reference 0.8V (VREF).

$$t_{SS} = \frac{(V_{REF} \times C_{NR/SS})}{I_{NR/SS}} \tag{a1}$$

For noise-reduction, CNR/SS in conjunction with an internal noise-reduction resistor forms a low-pass filter (LPF) and filters out the noise from the internal bandgap reference before being amplified via the error amplifier, thus reducing the total device noise floor.

17.6 Input Inrush Current

During start-up, the input Inrush current into the VIN pin consists of the sum of load current and the charging current of the output capacitor. The inrush current is difficult to measure because the input capacitor must be removed, which is not recommended. Generally, the soft-start inrush current can be estimated by Equation b1, where VOUT(t) is the instantaneous output voltage of the power-on ramp, dVOUT(t) / dt is the slope of the VOUT ramp and RLOAD is the resistive load impedance.

$$I_{OUT}(t) = \frac{(C_{OUT} \times dV_{OUT}(t))}{dt} + \left(\frac{V_{OUT}(t)}{R_{LOAD}} \right) \tag{b1}$$

17.7 Under-Voltage Lockout (UVLO)

The Under-Voltage Lockout (UVLO) threshold is the minimum input operational voltage range that ensures the device stays disabled. [Figure 5](#) explains that the UVLO circuits are triggered between three different input voltage events (duration a, b and c), assuming VEN ≥ VEN_R all the time. For duration “a”, the input voltage starts rising. When VIN is over the UVLO rising threshold, VOUT starts the power-on process. Then, when VOUT reaches the target level, and it is under regulation. During “b”, although the power line has a voltage drop, it does not drop below the UVLO low threshold (falling threshold). As a result, the device maintains normal operation, and VOUT is still regulated. At duration “c”, VIN drops below the UVLO falling threshold, so the control loop is disabled and there is no regulation; meanwhile, VOUT drops. For general application, instant power line transient with long power trace at the VIN pin may have VIN level unstable and force a trap as shown in duration “c” which makes VOUT collapse. In this case, adding more input capacitance or improving input trace layout on PCB are effective to improve input power stabilization.

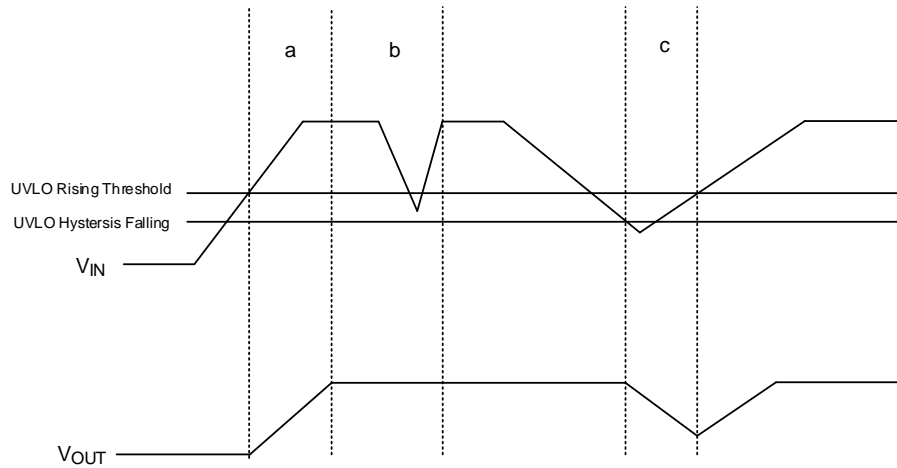


Figure 5. Under-Voltage Lockout Triggering Conditions and Output Variation

17.8 Power-Good (PGOOD) Function

The power-good function monitors the voltage level at the feedback pin to indicate that the output voltage status is normal or not. This function enables other devices receive the RTQ2532W's power-good signal as a logic signal that can be used for the sequence design of the system application. The PGOOD pin is an open-drain structure and an external pull-up resistor connected to an external supply is necessary. The pull-up resistor value between 10kΩ to 100kΩ is recommended for proper operation. The lower limit of 10kΩ results from the maximum pull-down strength of the power-good transistor, and the upper limit of 100kΩ results from the maximum leakage current at the power-good node.

Figure 6 demonstrates some PGOOD scenarios versus V_{IN} , EN and protection status. During “a”, V_{EN} is higher than the V_{EN_R} threshold, and the device is under operation. In this period, V_{OUT} starts rising (the rising time is related to the soft-start capacitor $C_{NR/SS}$). When V_{OUT} is over the PGOOD hysteresis threshold, the reflected feedback voltage V_{FB} exceeds V_{PGOOD_HYS} threshold. Consequently, the PGOOD pin becomes a high impedance node. The duration “b” indicates some unpredictable operation (ex : OTP, OCP or severe output voltage drop caused by very fast load variation). When V_{FB} is lower than the V_{PGOOD} threshold, V_{PGOOD} is pulled to GND, which indicates that the output voltage is not ready. In duration “c”, V_{OUT} has a small drop which is not lower than the PGOOD falling threshold; the PGOOD pin remains in high impedance. After V_{EN} becomes logic ‘0’, V_{PGOOD} is pulled to GND as shown in duration “d”.

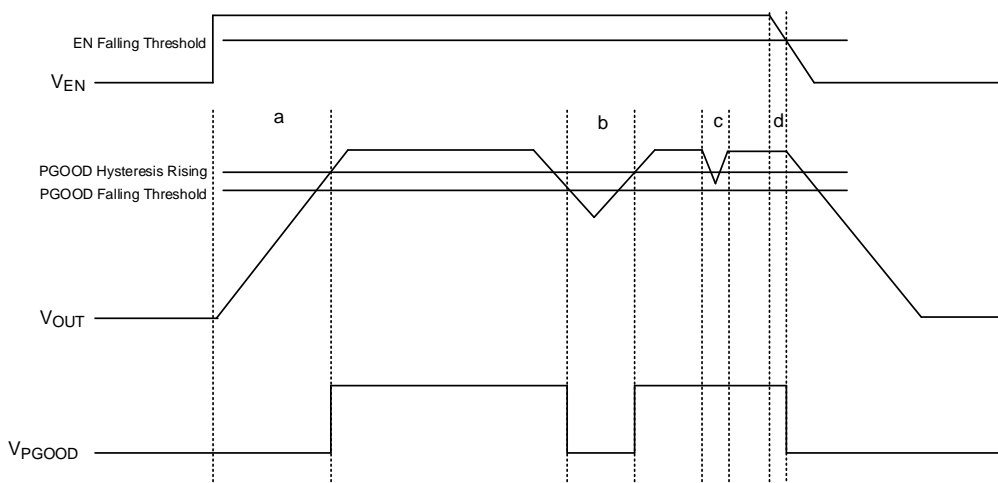


Figure 6. PGOOD Trigger Scenario with Different Operating Status

17.9 Reverse Current Protection

The reverse current from VOUT to VIN that flows through the body diode of the pass element instead of the normal conducting channel can happen if the maximum VOUT exceeds VIN + 0.3V; in this case, the pass element may be damaged.

For example, if the output is biased above the input supply voltage level or the input supply has an instant drop at light load operation that makes VIN < VOUT. As shown in [Figure 7](#), an external Schottky diode can be added to prevent the pass element be damaged from the reverse current.

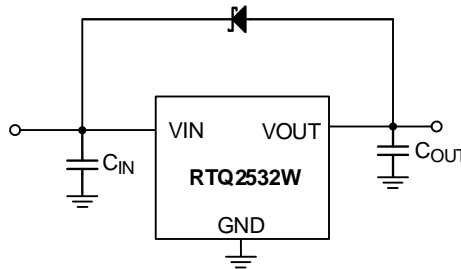


Figure 7. Application Circuit for Reverse Current Protection

17.10 Thermal Considerations

Thermal protection limits power dissipation in the RTQ2532W. When power dissipation on the pass element (PDIS = (VIN – VOUT) x IOUT) is too high and raises the junction operation temperature over 160°C, the OTP circuit starts the thermal shutdown function and turns the pass element off. The pass element turns on again after the junction temperature cools down by 20°C.

The output is shorted to ground when there is short circuit at the output. This procedure can reduce the chip temperature and provide maximum safety to end users when output short circuit occurs.

The junction temperature should never exceed the absolute maximum junction temperature TJ(MAX), listed under Absolute Maximum Ratings, to avoid permanent damage to the device. The maximum allowable power dissipation depends on the thermal resistance of the IC package, the PCB layout, the rate of surrounding airflow, and the difference between the junction and ambient temperatures. The maximum power dissipation can be calculated using the following formula :

$$P_{D(MAX)} = (T_{J(MAX)} - T_A) / \theta_{JA}$$

where TJ(MAX) is the maximum junction temperature, TA is the ambient temperature, and θJA is the junction-to-ambient thermal resistance.

For continuous operation, the maximum operating junction temperature indicated under Recommended Operating Conditions is 125°C. The junction-to-ambient thermal resistance, θJA(EVB), is highly package dependent. For a VQFN-20L 5x5 package, the thermal resistance (specific EVB), θJA(EVB), is 32.51°C/W on a high effective thermal-conductivity four-layer test board. The maximum power dissipation at TA = 25°C can be calculated as below :

$$P_{D(MAX)} = (125^{\circ}\text{C} - 25^{\circ}\text{C}) / (32.51^{\circ}\text{C}/\text{W}) = 3.07\text{W for a VQFN-20L 5x5 package.}$$

The maximum power dissipation depends on the operating ambient temperature for the fixed TJ(MAX) and the thermal resistance, θJA(EVB). The derating curve in [Figure 8](#) allow the designer to see the effect of rising ambient temperature on the maximum power dissipation.

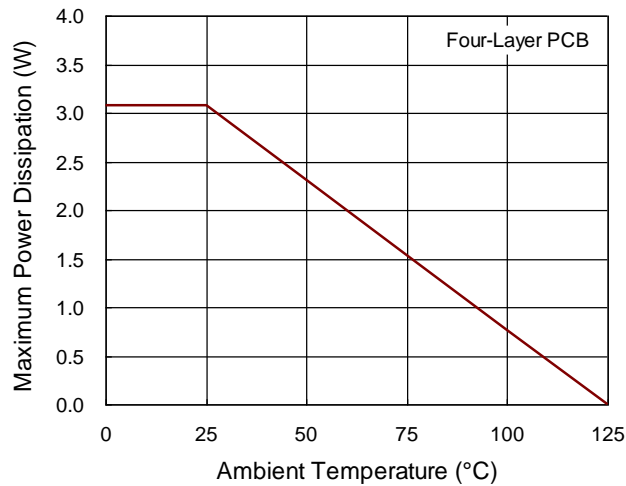


Figure 8. Derating Curve of Maximum Power Dissipation

17.11 Layout Considerations

For best performance of the RTQ2532W, the PCB layout suggestions below are highly recommended. All circuit components should be placed on the same side and as close to the respective LDO pin as possible. Place the ground return path connection to the input and output capacitor. Connect the ground plane with a wide copper surface for good thermal dissipation. Using vias and long power traces for the input and output capacitor connections is not recommended and has negative effects on performance. [Figure 9](#) shows a layout example that reduces conduction trace loops, helping to minimize inductive parasitics and load transient effects while improving the circuit stability.

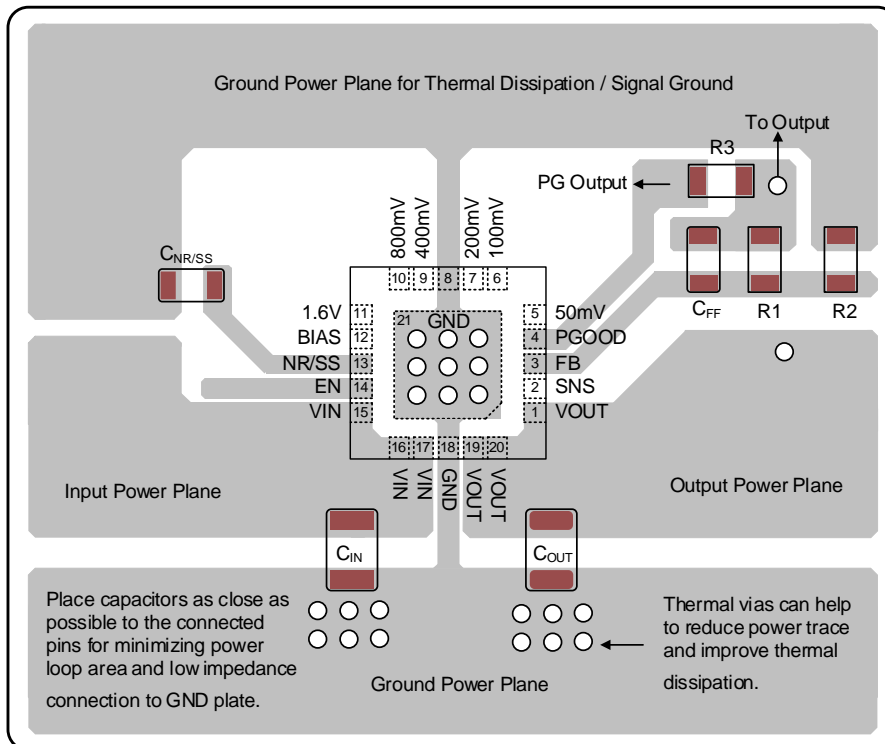
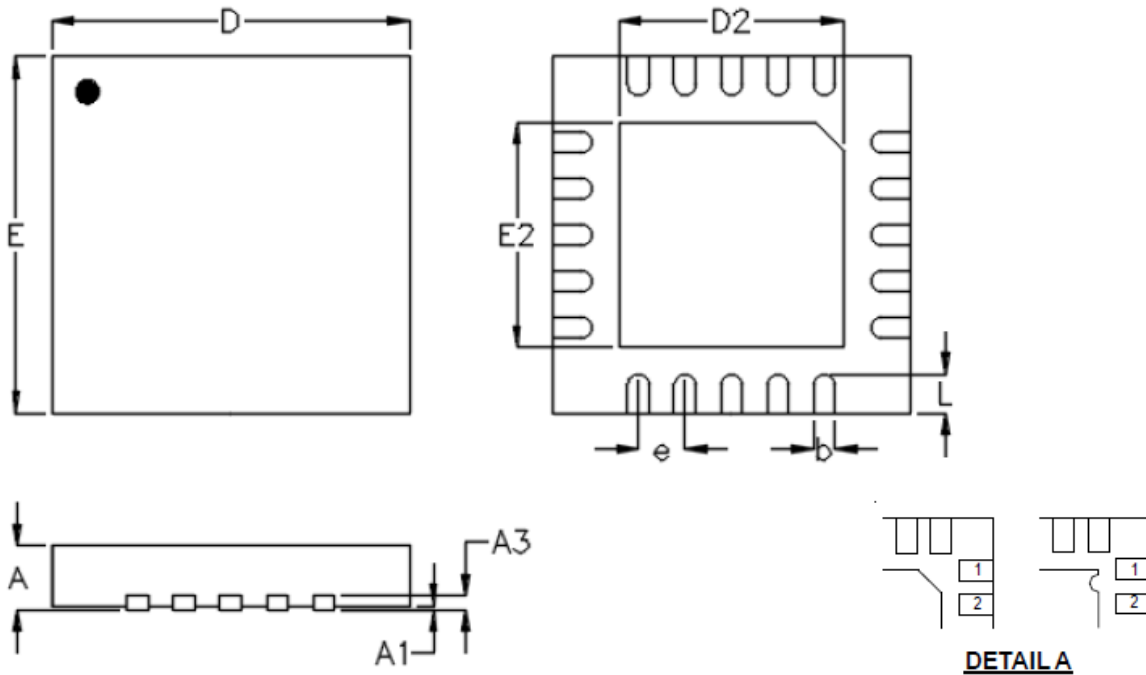


Figure 9. PCB Layout Guide

18 Outline Dimension



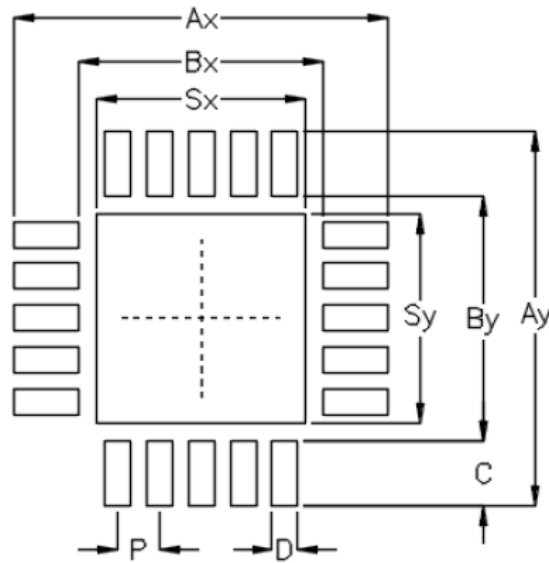
DETAIL A
Pin #1 ID and Tie Bar Mark Options

Note : The configuration of the Pin #1 identifier is optional, but must be located within the zone indicated.

Symbol	Dimensions In Millimeters		Dimensions In Inches	
	Min	Max	Min	Max
A	0.800	1.000	0.031	0.039
A1	0.000	0.050	0.000	0.002
A3	0.175	0.250	0.007	0.010
b	0.250	0.350	0.010	0.014
D	4.950	5.050	0.195	0.199
D2	3.100	3.200	0.122	0.126
E	4.950	5.050	0.195	0.199
E2	3.100	3.200	0.122	0.126
e	0.650		0.026	
L	0.500	0.600	0.020	0.024

V-Type 20L QFN 5x5 Package

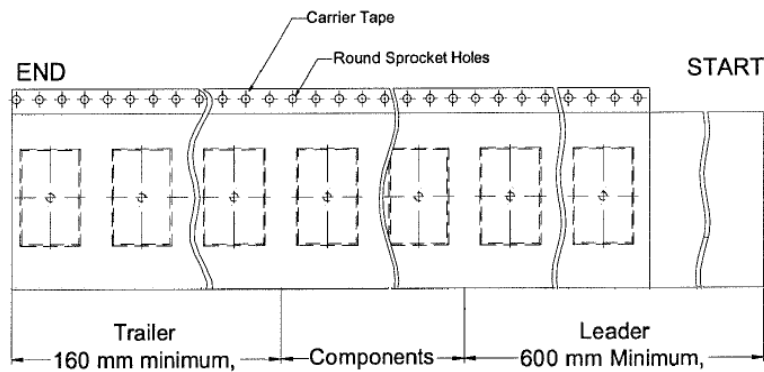
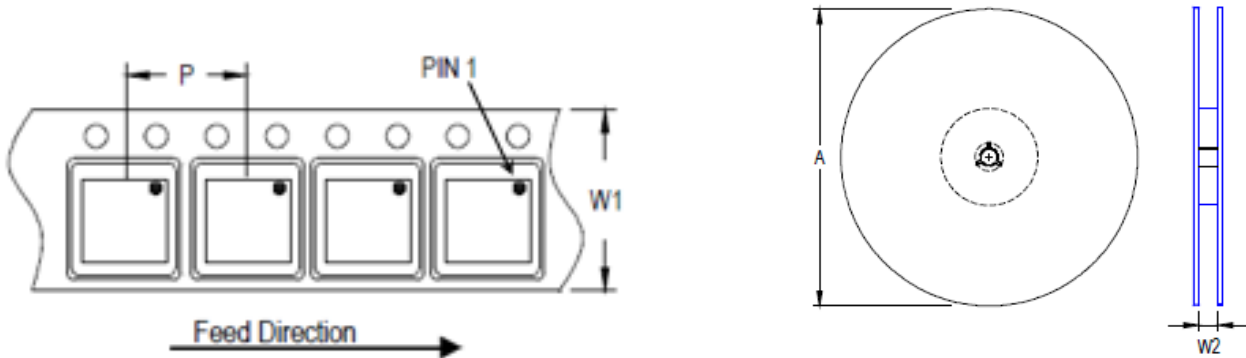
19 Footprint Information



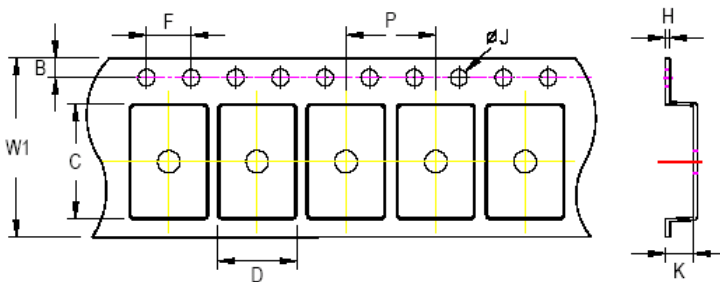
Package	Number of Pin	Footprint Dimension (mm)									Tolerance
		P	Ax	Ay	Bx	By	C	D	Sx	Sy	
V/W/U/XQFN5*5-20	20	0.65	5.80	5.80	3.80	3.80	1.00	0.40	3.25	3.25	±0.05

20 Packing Information

20.1 Tape and Reel Data









Package Type	Tape Size (W1) (mm)	Pocket Pitch (P) (mm)	Reel Size (A)		Units per Reel	Trailer (mm)	Leader (mm)	Reel Width (W2) Min./Max. (mm)
			(mm)	(in)				
QFN/DFN 5x5	12	8	180	7	1,500	160	600	12.4/14.4



C, D, and K are determined by component size. The clearance between the components and the cavity is as follows:
- For 12mm carrier tape: 0.5mm max.

Tape Size	W1		P		B		F		ØJ		H
	Max.	Min.	Max.	Min.	Max.	Min.	Max.	Min.	Max.	Max.	
12mm	12.3mm	7.9mm	8.1mm	1.65mm	1.85mm	3.9mm	4.1mm	1.5mm	1.6mm	0.6mm	

20.2 Tape and Reel Packing

Step	Photo/Description	Step	Photo/Description
1	 <p>Reel 7"</p>	4	 <p>3 reels per inner box Box A</p>
2	 <p>HIC & Desiccant (1 Unit) inside</p>	5	 <p>12 inner boxes per outer box</p>
3	 <p>Caution label is on backside of Al bag</p>	6	 <p>Outer box Carton A</p>

Package	Reel		Box				Carton				
	Size	Units	Item	Size(cm)	Weight(Kg)	Reels	Units	Item	Size(cm)	Boxes	Unit
QFN/DFN 5x5	7"	1,500	Box A	18.3*18.3*8.0	0.1	3	4,500	Carton A	38.3*27.2*38.3	12	54,000
			Box E	18.6*18.6*3.5	0.03	1	1,500	For Combined or Partial Reel.			

20.3 Packing Material Anti-ESD Property

Surface Resistance	Aluminum Bag	Reel	Cover tape	Carrier tape	Tube	Protection Band
Ω/cm^2	10^4 to 10^{11}	10^4 to 10^{11}	10^4 to 10^{11}	10^4 to 10^{11}	10^4 to 10^{11}	10^4 to 10^{11}

Richtek Technology Corporation

14F, No. 8, Tai Yuen 1st Street, Chupei City
 Hsinchu, Taiwan, R.O.C.
 Tel: (8863)5526789

RICHTEK

Richtek products are sold by description only. Richtek reserves the right to change the circuitry and/or specifications without notice at any time. Customers should obtain the latest relevant information and data sheets before placing orders and should verify that such information is current and complete. Richtek cannot assume responsibility for use of any circuitry other than circuitry entirely embodied in a Richtek product. Information furnished by Richtek is believed to be accurate and reliable. However, no responsibility is assumed by Richtek or its subsidiaries for its use; nor for any infringements of patents or other rights of third parties which may result from its use. No license is granted by implication or otherwise under any patent or patent rights of Richtek or its subsidiaries.

Copyright © 2024 Richtek Technology Corporation. All rights reserved. **RICHTEK** is a registered trademark of Richtek Technology Corporation.

21 Datasheet Revision History

Version	Date	Description	Item
03	2022/12/6	Modify	Operation on P4 Packing Information on P21, 22, 23
04	2023/2/24	Modify	Functional Pin Description on P2 Packing Information on P21, 22, 23
05	2023/5/4	Modify	Pin Configuration on P1 Functional Pin Description on P2 Functional Block Diagram on P3 Typical Application Circuit on P8 Application Information on P18
06	2023/5/23	Modify	Thermal Information on P5
07	2024/3/20	Modify	Ordering Information on P1 Thermal Information on P6 Note 4 on P8 Application Information on P21, 22

X-ON Electronics

Largest Supplier of Electrical and Electronic Components

Click to view similar products for [LDO Voltage Regulators](#) category:

Click to view products by [Richtek](#) manufacturer:

Other Similar products are found below :

[AP7363-SP-13](#) [NCV8664CST33T3G](#) [L79M05TL-E](#) [AP7362-HA-7](#) [PT7M8202B12TA5EX](#) [TCR3DF185,LM\(CT](#) [TLF4949EJ](#)
[NCP4687DH15T1G](#) [NCV8703MX30TCG](#) [LP2951CN](#) [NCV4269CPD50R2G](#) [AP7315-25W5-7](#) [NCV47411PAAJR2G](#) [AP2111H-1.2TRG1](#)
[ZLDO1117QK50TC](#) [AZ1117ID-ADJTRG1](#) [NCV4263-2CPD50R2G](#) [NCP706ABMX300TAG](#) [NCP114BMX075TCG](#) [MC33269T-3.5G](#)
[TLE4471GXT](#) [AP7315-33SA-7](#) [NCV4266-2CST33T3G](#) [NCP715SQ15T2G](#) [NCV8623MN-50R2G](#) [NCV563SQ18T1G](#) [NCV8664CDT33RKG](#)
[NCV4299CD250R2G](#) [NCP715MX30TBG](#) [NCV8702MX25TCG](#) [TLE7270-2E](#) [NCV562SQ25T1G](#) [AP2213D-3.3TRG1](#) [AP2202K-2.6TRE1](#)
[NCV8170BMX300TCG](#) [NCV8152MX300180TCG](#) [NCP700CMT45TBG](#) [AP7315-33W5-7](#) [NCP154MX180300TAG](#) [AP2113AMTR-G1](#)
[NJW4104U2-33A-TE1](#) [MP2013AGG-5-P](#) [NCV8775CDT50RKG](#) [NJM2878F3-45-TE1](#) [S-19214B00A-V5T2U7](#) [S-19214B50A-V5T2U7](#) [S-](#)
[19213B50A-V5T2U7](#) [S-19214BC0A-E8T1U7*1](#) [S-19213B00A-V5T2U7](#) [S-19213B33A-V5T2U7](#)