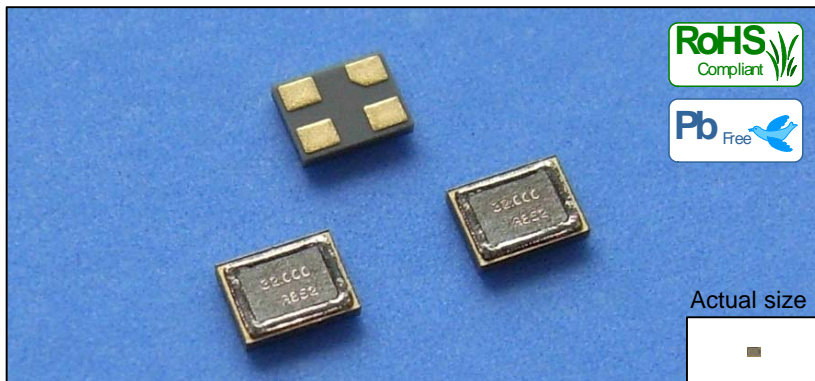


SURFACE MOUNT CRYSTAL FCX-07L

NEW PRODUCTS!



Actual size

Specifications

Item	Standard specifications			
Frequency range(MHz)	26.0 to 80.0			
Overtone order	Fundamental			
Frequency tolerance (ppm)(at 25°C)	±10, ±20, ±30, ±50, ±100			
Storage temperature range(°C)	-40 to +85			
Operating temperature range(°C)	0 to +50	-10 to +60	-20 to +70	-40 to +85
Frequency versus temperature characteristics(ppm) (Refer to 25°C)	±10 ±30 ±50 ±100	±15 ±30 ±50 ±100	±20 ±30 ±50 ±100	±30 ±50 ±100
Motional resistance (ESR)	As per below table			
Level of drive(μW)	100 Max.			
Load capacitance(pF)	5.0, 6.0, 7.0			

Frequency(MHz)	Motional resistance(ESR)(Ω)
26.0 to 30.0	150 Max.
30.0 to 80.0	100 Max.

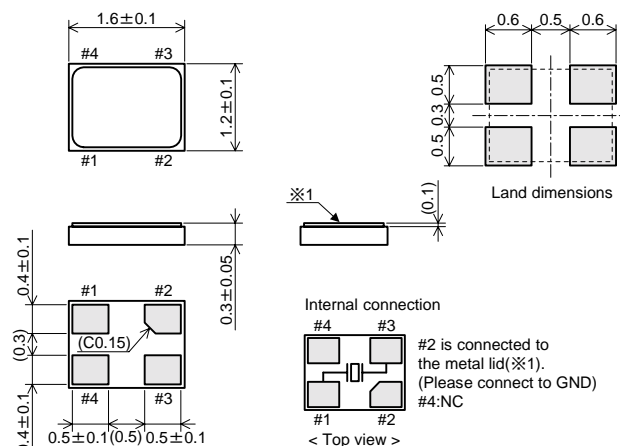
- Please consult us for customized specifications.
- All specifications and markings subjected to change without notice.

Features

- Compact design (1.6mm×1.2mm×0.35mm Max., Weight : 2.5mg).
- Ceramic package and metal lid assures extreme accuracy and high reliability by electron beam sealing.
- Accommodating high precision frequency and temperature characteristics.
- Lead-free soldering is available.
- Applications : Mobile phone, W-LAN, Bluetooth, Tuner module

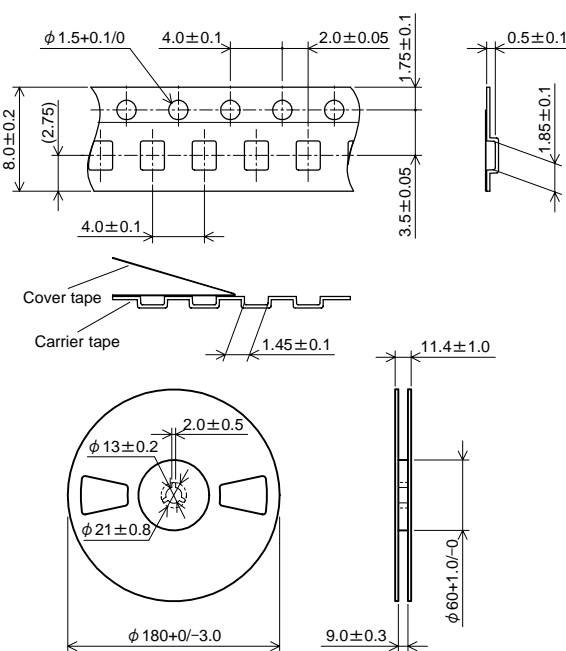
Dimensions

Unit: mm



Taping

Unit: mm



Quantity: 3000 pieces Max./Reel

RIVER RIVER ELETec CORPORATION
URL <http://www.river-ele.co.jp>

Head Office : 2-1-1 Fujimigaoka Nirasaki Yamanashi Japan
Tokyo Office : 4-40-14 Nishishinjuku Shinjuku-ku Tokyo Japan
Utsunomiya Office : Phone 81-28-625-7181 Fax 81-28-625-7159
Osaka Office : Phone 81-6-6998-4888 Fax 81-6-6998-4899
Nagoya Office : Phone 81-52-776-9531 Fax 81-52-776-9532

Phone 81-551-22-1211 Fax 81-551-22-6645
Phone 81-3-3377-5444 Fax 81-3-3374-2865
River Electronics(Singapore)Pte.Ltd : Phone 65-6258-7874
(Shanghai Liaison Office) : Phone 86-21-64032210
Taiwan River Co.,Ltd. : Phone 886-2-8988-2811
Xi'an River Electronics Corporation : Phone 86-29-88697274

Fax 65-6258-7366
Fax 86-21-64037412
Fax 886-2-2983-4785
Fax 86-29-88635134

X-ON Electronics

Largest Supplier of Electrical and Electronic Components

Click to view similar products for [Crystals](#) category:

Click to view products by [RIVER](#) manufacturer:

Other Similar products are found below :

[CS325S24000000ABJT](#) [718-13.2-1](#) [MC405 32.0000K-R3:PURE SN](#) [FC-135R 32.7680KF-A3](#) [7A-40.000MAAE-T](#) [7B-27.000MBBK-T](#)
[FL2000085](#) [9B-15.360MBBK-B](#) [9C-7.680MBBK-T](#) [ASH7K-32.768KHZ](#) [AT-41.600MAGQ-T](#) [BTD1062E05A-513](#) [LFX TAL066198Cutt](#)
[9C-14.31818MBBK-T](#) [FA-238 50.0000MB30X-K3](#) [FC-12M 32.7680KA-AC3](#) [SSPT7F-9PF20-R](#) [FX325BS-38.88EEM1201](#)
[LFX TAL065253Cutt](#) [LFX TAL066431Cutt](#) [XT9S20ANA14M7456](#) [XT9SNLANA16M](#) [646G-24-2](#) [7A-24.576MBBK-T](#) [7B-30.000MBBK-T](#)
[WX26-32.768K-6PF](#) [9B-14.31818MBBK-B](#) [CD1AM](#) [7B-25.000MAAE-T](#) [7A-14.31818MBBK-T](#) [6504-202-1501](#) [6526-202-1501](#) [FA-118T](#)
[27.1200MB50P-K0](#) [FC-135R 32.7680KA-A3](#) [ABM12-104-37.400MHZT](#) [ABLS-10.000MHZ-D3W-T](#) [BTJ112E01E-513](#) [BTJ722K01C-7067](#)
[BTL-20-513](#) [TSX-3225 24.0000MF15X-AC](#) [TSX-3225 16.0000MF18X-AC](#) [BTJ120E02C](#) [BTL-12-513](#) [7A-10.000MBBK-T](#) [7A-](#)
[11.0592MBBK-T](#) [ABM12-103-24.000MHZT](#) [CS325S25000000ABJT](#) [ABM3B-25.000MHZ-B2-X-T](#) [FC-135 32.7680KA-A5](#) [FX0800015](#)