



RVT70HSHNWCA0

HB, IPS 7.0" HDMI LCD TFT DATASHEET

Rev.1.6

2022-12-14

ITEM	CONTENTS	UNIT
LCD Type	TFT/Transmissive/Normally Black/IPS	/
Size	7.0	Inch
Viewing Direction	Free	/
Outside Dimensions (W x H x D)	164.90 x 100.00 x 24.75	mm
Active Area (W x H)	154.21 x 85.92	mm
Pixel Pitch (W x H)	0.1506 x 0.1432	mm
Resolution	1024 (RGB) x 600	/
Brightness	800	cd/m ²
Color Depth	16.7 M	/
Pixel Arrangement	RGB Vertical Stripe	/
Controller of the Main Board	RTD2660H	/
Video Interface	HDMI	/
With/Without Touch	With Projected Capacitive Touch Panel	/
CTP Driver	ILI2132A	/
Touch Panel Interface	USB-C	/
Power Supply	Power Jack (DC 7.0V - 30.0 V), USB-C	V
Weight	238	g

Note 1. RoHS3 compliant

Note 2. LCM weight tolerance: $\pm 5\%$.



1. REVISION RECORD

REV NO.	REV DATE	CONTENTS	REMARKS
1.0	2021-03-10	Initial Release	
1.1	2021-04-16	HDMI board picture updated	
1.2	2021-07-21	Correction of J5 connector description	
1.3	2021-08-05	Updating new template Correction of external keyboard connector pinout	
1.4	2022-01-13	Updating the dip switches on the drawing.	
1.5	2022-02-02	Correct the description of DC1 from 7.0 V-14.0V to 7.0V- 30.0V	
1.6	2022-12-14	<p>Update 2 parameters of Backlight PWM & power - J5</p> <ul style="list-style-type: none"> Clarify PWM frequency range: 1kHz-10kHz Clarify the power input voltage range for pin5, 6 (VDD) <p>Monitor controller is upgraded from RTD2662 to RTD2660H</p>	



2. CONTENTS

- 1. REVISION RECORD..... 2**
- 2. CONTENTS..... 3**
- 3. MODULE CLASSIFICATION INFORMATION..... 4**
- 4. MODULE DRAWING..... 5**
- 5. ABSOLUTE MAXIMUM RATINGS..... 6**
- 6. ELECTRICAL CHARACTERISTICS..... 6**
- 7. BACKLIGHT DRIVING CONDITIONS..... 6**
- 8. ELECTRO-OPTICAL CHARACTERISTICS..... 7**
- 9. INTERFACE DESCRIPTION..... 9**
 - 9.1 PCB overview..... 9**
 - 9.2 Power connector -DC1..... 10**
 - 9.3 HDMI connector -JP5..... 10**
 - 9.4 Touch panel connector -USB-C..... 10**
 - 9.5 Light sensor connector – RT1..... 11**
 - 9.6 Backlight PWM & Power -J5..... 11**
 - 9.7 UART connector -J2..... 11**
 - 9.8 External Keyboard connector - J1..... 12**
- 10. DISPLAY SPECIFICATION.....12**
- 11. CAPACITIVE TOUCH SCREEN PANLE SPECIFICATIONS.....12**
 - 11.1 Mechanical characteristics.....12**
 - 11.2 Electrical characteristics.....12**
- 12. INSPECTION.....13**
 - 12.1 Inspection condition.....13**
 - 12.2 Inspection standard..... 14**
- 13. RELIABILITY TEST.....15**
- 14. LEGAL INFORMATION..... 16**

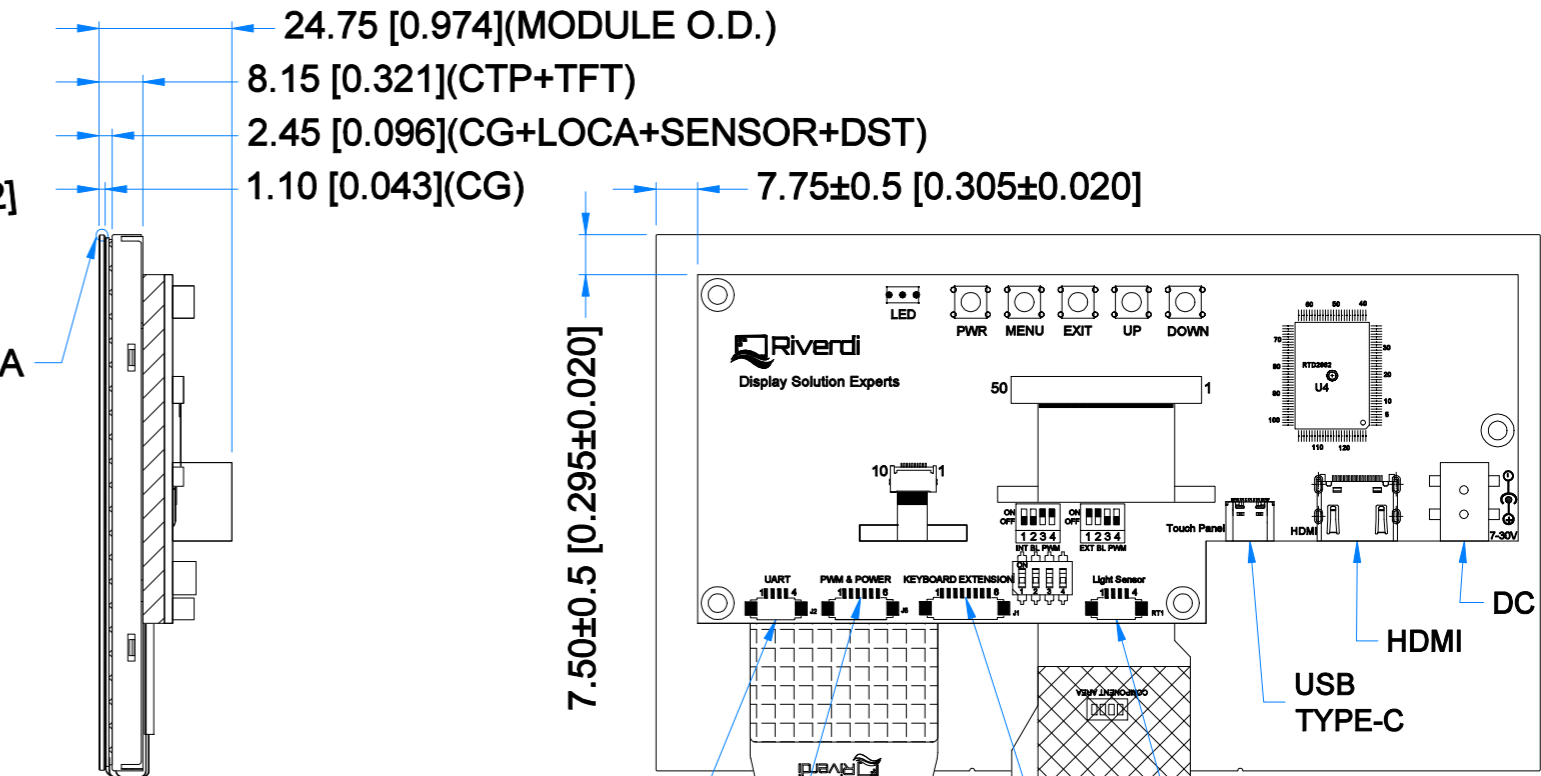
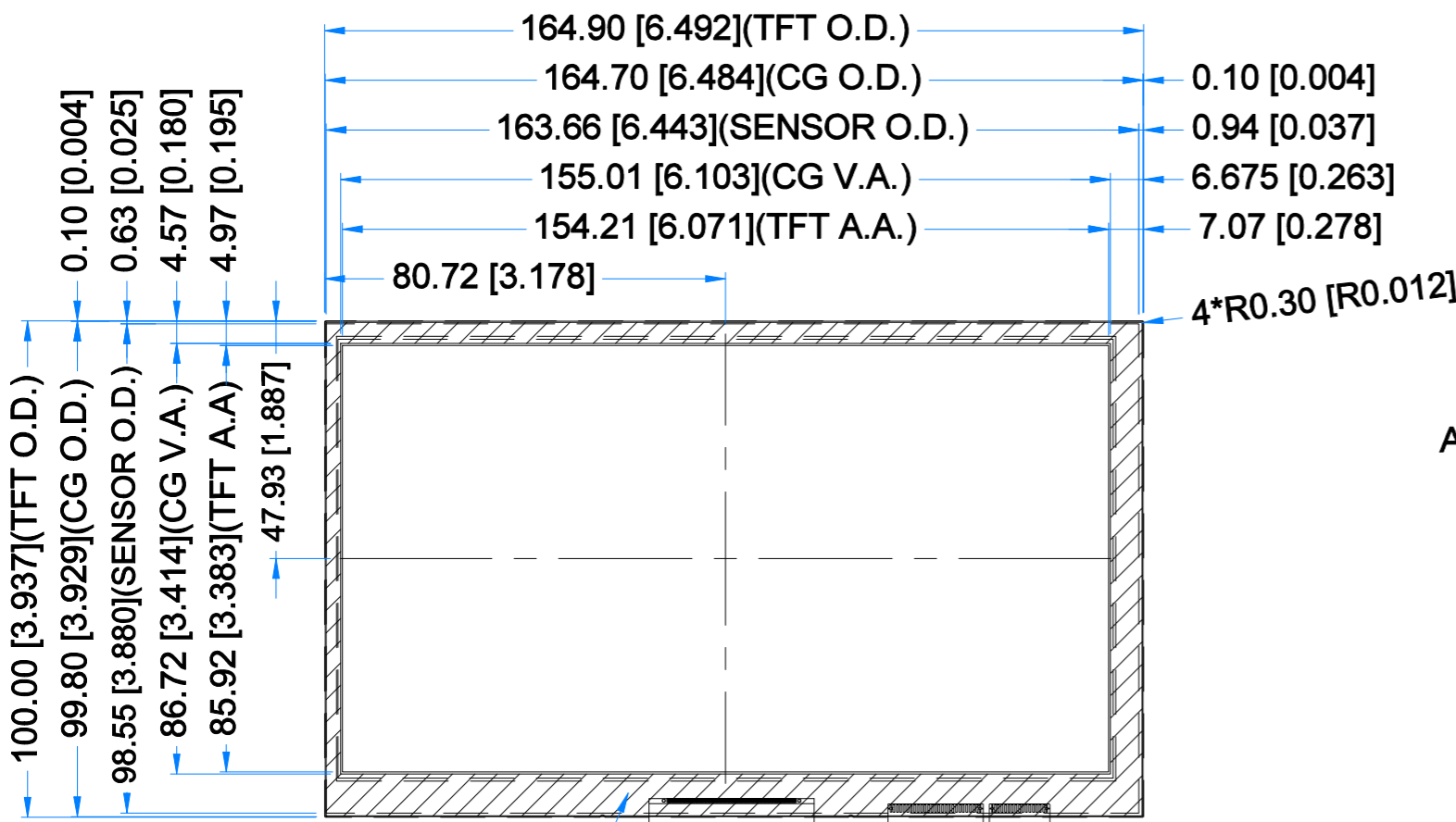


3. MODULE CLASSIFICATION INFORMATION

RV	T	70	H	S	H	N	W	C	A0
1.	2.	3.	4.	5.	6.	7.	8.	9.	10.

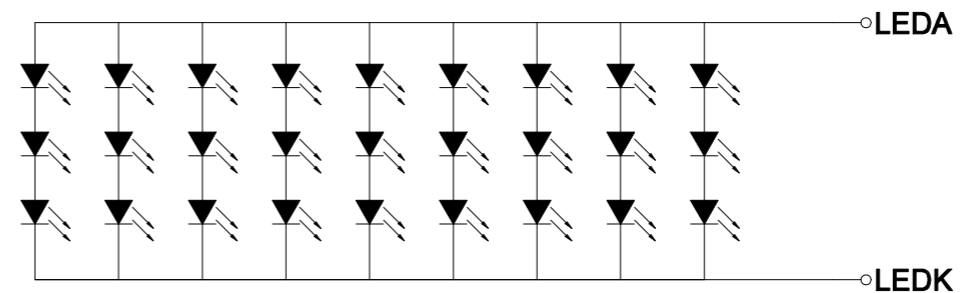
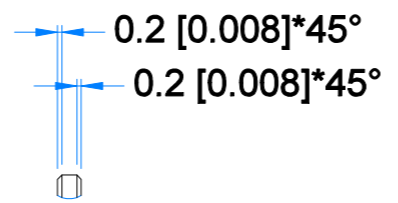
NO.	PARAMETER	SYMBOL
1.	BRAND	RV – Riverdi
2.	PRODUCT TYPE	T – TFT Standard
3.	DISPLAY SIZE	70 – 7.0”
4.	MODEL SERIAL NO.	H – High Brightness, IPS
5.	RESOLUTION	S – 1024 x 600 px
6.	INTERFACE	H – HDMI
7.	FRAME	N – Without Mounting Metal Frame
8.	BACKLIGHT TYPE	W – LED White
9.	TOUCH PANEL	C – With Capacitive Touch Panel
10.	VERSION	A0 – aTouch

Revision:	Changes:	Date:
1.0	Initial Case	2021.03.08
1.1	Adding Inch Unit	2021.08.25
1.2	PCB Update-Change the touch ZIF connector	2021.08.26
1.3	PCB Update And Dimensions Overhaul	2022.01.05



BLACK MASK PRINTING
RAL9005

DETAIL A
SCALE 4:1



LED Diagram Circuit

LCM NOTES:
 1. LCD TYPE: TRANSMISSIVE, NORMALLY BLACK, IPS
 2. RESOLUTION: 1024x600
 3. VIEWING ANGLE: FREE
 4. MODULE SURFACE LUMINANCE: MAX. 800 cd/m²
 5. CONTROLLER IC OF MAIN BOARD: RTD2662
 6. VIDEO INTERFACE: HDMI
 7. POWER SUPPLY: POWER JACK (7.0-30.0V); USB-C.

TP NOTES:
 1. TP STRUCTURE: G+G
 2. CG THICKNESS: 1.10 mm
 3. DRIVER IC: ILI2132A
 4. TOUCH PANEL INTERFACE: USB-C

GENERAL NOTES:
 1. OPERATING TEMPERATURE: -20°C ~ 70°C
 2. STORAGE TEMPERATURE: -30°C ~ 80°C
 3. WITHOUT INDIVIDUAL TOLERANCE: ±0.3mm
 4. RoHS3 COMPLIANT

PN: RVT70HSHNWCA0			
SN:			
DRAWN: M.Natywa	2022.01.05	1:1.41	
CHECKED: Carol Gao	2022.01.13	[mm]	
APPR:			
			P. 1 of 1



5. ABSOLUTE MAXIMUM RATINGS

PARAMETER	SYMBOL	MIN	MAX	UNIT
Supply Voltage for Module	VDD	7.0	30.0	V
Operating Temperature	T _{OP}	-20	70	°C
Storage Temperature	T _{ST}	-30	80	°C
Storage Humidity (@ 25 ± 5°C)	H _{ST}	10	90	% RH
Operating Ambient Humidity (@ 25 ± 5°C)	H _{OP}	10	90	% RH

Note. Exceeding maximum values may cause operation or damage to the unit.

6. ELECTRICAL CHARACTERISTICS

PARAMETER	SYMBOL	MIN	TYP	MAX	UNIT	NOTE
Supply Voltage for Module	VDD	7.0	12.0	30.0	V	

PARAMETER	SYMBOL	BL 0%	BL 50%	BL 100%	UNIT	NOTE
Current Drawn from VDD@7.0V	I _{VDD}	291	496	748	mA	Note 1
Current Drawn from VDD@12.0V		172	289	428		
Current Drawn from VDD @24.0V		93	152	220		
Current Drawn from VDD @30.0V		74	124	178		
Current drawn from USB-C	I _{USB-C}	366	692	1156		Note 1, 2

Note 1. BL 0% Current was measured with BL brightness set to 0%,
 BL 50% current was measured with BL brightness set to 50%,
 BL 100% current was measured with BL brightness set to 100%.
 Test condition: ambient temp 25 °C

Note 2. USB-C interface can be used as a power supply for all modules with or without touch panels. If DC1 power jack is used, the power from the USB-C connector is not drawn, as the onboard MOSFET key cuts it off.

7. BACKLIGHT DRIVING CONDITIONS

PARAMETER	SYMBOL	MIN	TYP	MAX	UNIT	NOTE
Backlight Power Consumption	W _{BL}	-	2592	-	mW	100% backlight
Lifetime	-	-	50,000	-	hours	Note

Note. Operating life means the period in which the LED brightness goes down to 50% of the initial brightness. Typical operating lifetime is the estimated parameter.



8. ELECTRO-OPTICAL CHARACTERISTICS

Optical characteristics are determined after the unit has been 'ON' and stable for approximately 30 minutes in a dark environment at 25 °C. The values specified are at an approximate distance 500mm from the LCD surface at a viewing angle of Φ and θ equal to 0°.

ITEM	SYMBOL	CONDITION	MIN	TYP	MAX	UNIT	RMK	NOTE
Response Time	Tr+Tf	$\theta=0^\circ$ $\phi=0^\circ$ Ta=25 °C	-	35	-	ms	FIG 1.	4
Contrast Ratio	Cr		-	800	-	---	FIG 2.	1
Luminance Uniformity	δ WHITE		-	75	-	%		3
Surface Luminance	Lv		-	800	-	cd/m ²		2
Viewing Angle Range	θ	$\phi = 90^\circ$	-	85	-	deg	FIG 3.	6
		$\phi = 270^\circ$	-	85	-	deg		
		$\phi = 0^\circ$	-	85	-	deg		
		$\phi = 180^\circ$	-	85	-	deg		
CIE (x, y) Chromaticity	Rx	$\theta=0^\circ$ $\phi=0^\circ$ Ta=25 °C	0.578	0.618	0.658	-	FIG 2.	5
	Ry		0.489	0.329	0.369	-		
	Cx		0.376	0.416	0.456	-		
	Gy		0.493	0.533	0.573	-		
	Bx		0.071	0.111	0.151	-		
	By		0.108	0.148	0.188	-		
	Wx		0.270	0.310	0.350	-		
	Wy		0.290	0.330	0.370	-		

Note 1. Contrast Ratio (CR) is defined mathematically as below, for more information see Figure 2.

$$\text{Contrast Ratio} = \frac{\text{Average Surface Luminance with all white pixels (P1, P2, P3, P4, P5)}}{\text{Average Surface Luminance with all black pixels (P1, P2, P3, P4, P5)}}$$

Note 2. Surface luminance is the LCD surface from the surface with all pixels displaying white at 100% backlight. For more information see Figure 2.

$$Lv = \text{Average Surface Luminance with all white pixels (P1, P2, P3, P4, P5)}$$

Note 3. The uniformity in surface luminance δ WHITE is determined by measuring luminance at each test position 1 through 5, and then dividing the minimum luminance of 5 points luminance by maximum luminance of 5 points luminance. For more information see Figure 2.

$$\delta \text{ WHITE} = \frac{\text{Minimum Surface Luminance with all white pixels (P1, P2, P3, P4, P5)}}{\text{Maximum Surface Luminance with all white pixels (P1, P2, P3, P4, P5)}}$$

Note 4. Response time is the time required for the display to transition from white to black (Rise Time, Tr) and from black to white (Decay Time, Tf). For additional information see Figure 1. The test equipment is BM-7A.

Note 5. CIE (x, y) chromaticity, the x, y value is determined by measuring luminance at each test position 1 through 5, and then calculate the average value.



Note 6. For TFT module the contrast ratio is greater than 10. The angles are determined for the horizontal or x axis and the vertical or y axis with respect to the z axis which is normal to LCD surface. For more information see Figure 3.

Note 7. Viewing angle is measured at the center point of the LCD by CONOSCOPE (ergo-80). For response time testing, the testing data is based on BM-7A. Instruments for Contrast Ratio, Surface Luminance, Luminance Uniformity, Chromaticity the test data is based on SR-3A.

Figure 2. The definition of response time

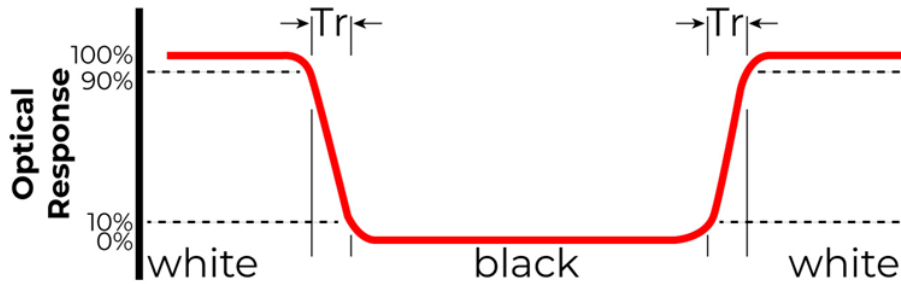


Figure 3. Measuring method for Contrast ratio, surface luminance, Luminance uniformity, CIE (x, y) chromaticity

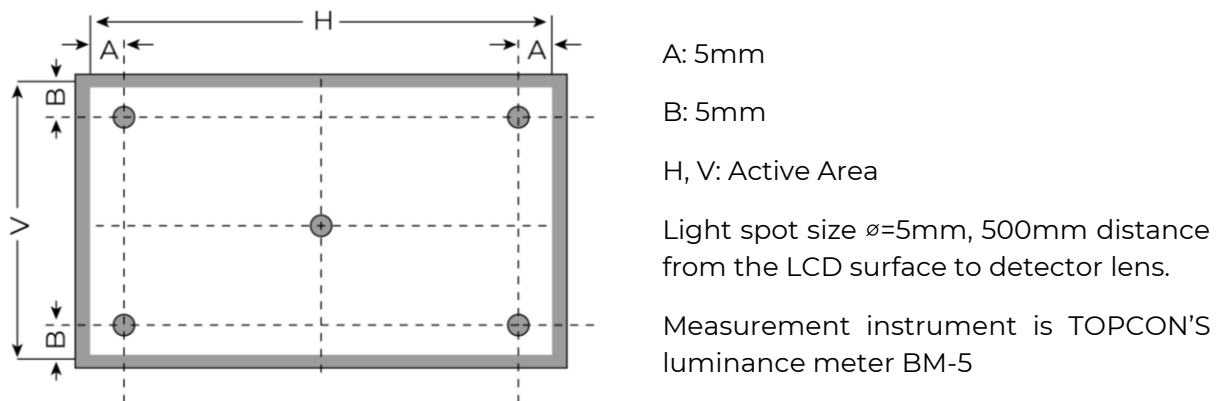
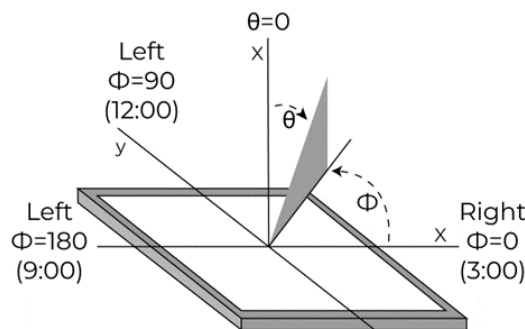


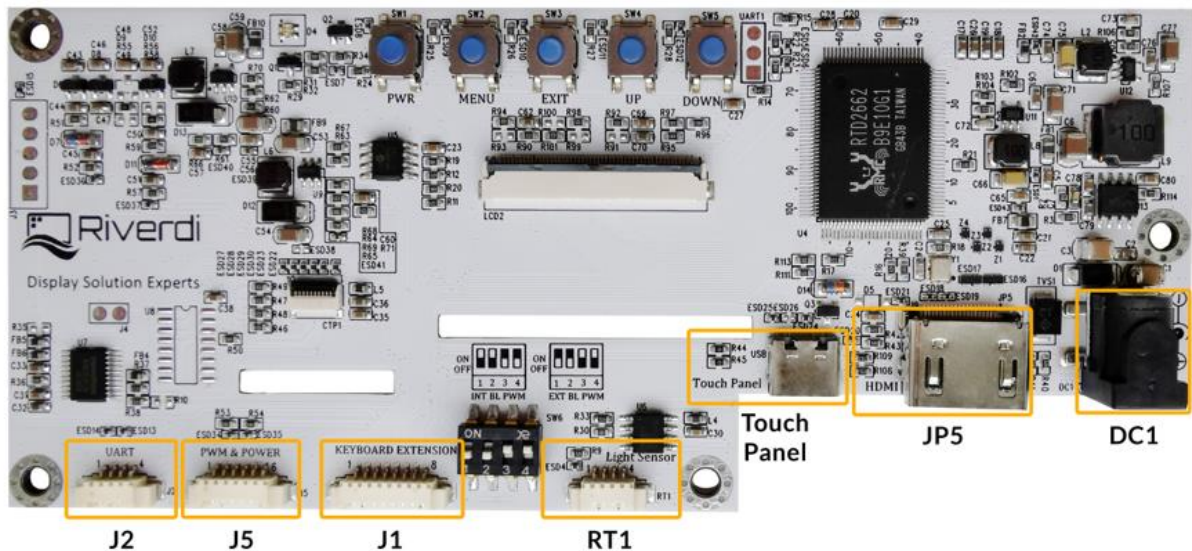
Figure 4. The definition of viewing angle



9. INTERFACE DESCRIPTION

9.1 PCB overview

Picture below shows the connectors exact placement and their descriptions.



NAME	CONNECTOR	DESCRIPTION	NOTE
DC1	Power Jack	DC jack, (5.5 mm OD; 2.1mm ID) This is the connector to power on the TFT module. It allows DC for voltage range from 7.0V to 30.0V	
JP5	HDMI connector	This is the connector to which you can connect the HDMI signal source to the module.	
Touch Panel	USB-C	Touch panel interface for module with touch panel. Also, the USB-C can be used as a power supply for all modules with or without touch panels.	
J1	External keyboard connector	Molex 53261-0871 or alternative; Horizontal, 1.25mm pitch; 8 pins. The connector is reserved for external keyboard. Performs the same functions: PWR, MENU, EXIT, UP, DOWN as the pushbuttons on PCB.	Note 1
J5	Backlight PWM & Power	Molex 53261-0671 or alternative; Horizontal, 1.25mm pitch; 6 pins. The unit realizes the function of digital dimming. This connector enables to control backlight PWM externally.	Note 2
J2	UART	Molex 53261-0471 or alternative; Horizontal, 1.25mm pitch; 4 pins. It supports asynchronous serial communication UART port.	Note 3
RT1	Light sensor	Molex 53261-0471; Horizontal, 1.25mm pitch; 4 pins. To connect external light sensor	Note 1

Note 1. Light sensor and external keyboard are optional, not included in the standard kit.



Note 2. 4 position-DIP onboard switch SW6 is used to choose the power to backlight. The settings are:

INTERNAL BL PWM: Set 1&2 to OFF, and 3&4 to ON,

EXTERNAL BL PWM: Set 1&2 to ON, and 3&4 to OFF.

Note 3. UART functionality is under development process.

9.2 Power connector -DC1

PIN NO.	SYMBOL	DESCRIPTION
1	VDD	Power supply DC
2	GND	GND

9.3 HDMI connector -JP5

PIN NO.	SYMBOL	DESCRIPTION
1	TMDS Data 2+	TMDS differential signal 2+
2	TMDS Data2 Shield	Data2 shielding ground
3	TMDS Data 2-	TMDS differential signal 2-
4	TMDS Data 1+	TMDS differential signal 1+
5	TMDS Data1 Shield	Data1 shielding ground
6	TMDS Data 1-	TMDS differential signal 1-
7	TMDS Data 0+	TMDS differential signal 0+
8	TMDS Data 0 Shield	Data0 shielding ground
9	TMDS Data 0-	TMDS differential signal 0-
10	TMDS Data Clock+	TMDS differential signal Clock+
11	TMDS Data Shield	Clock shielding ground
12	TMDS Data Clock-	TMDS differential signal Clock-
13	CEC	Electronic protocol CEC
14	NC	No Connection
15	SCL	I ² C clock Line
16	SDA	I ² C data Line
17	DDC/CEC GND	Data display channel
18	+5V	HDMI 5V
19	Hot Plug Detect	Hot plug Detect

Note 1. Matched Riverdi 4K HDMI cable accessory: 4K HDMI CABLE

9.4 Touch panel connector -USB-C

PIN NO.	SYMBOL	DESCRIPTION
A1	USB_GND	USB_ Ground
B12	USB_GND	USB_ Ground
A4	V_BUS	V_Bus Power; 5V
B9	V_BUS	V_Bus Power; 5V
A5	CC1	Configuration channel
A6	DP1	USB differential pair, position 1, positive
A7	DN1	USB differential pair, position 1, negative
A8	SBU1	Sideband use
B5	CC2	Configuration channel
B6	DP2	USB differential pair, position 2, positive



B7	DN2	USB differential pair, position 2, negative
B8	SBU2	Configuration channel
A9	V_BUS	V_Bus Power; 5V
B4	V_BUS	V_Bus Power; 5V
A12	USB_GND	USB_Ground
B1	USB_GND	USB_Ground

Note 1. All the signals in Touch panel connector are in accordance with USB-C standard.

Note 2. Matched Riverdi cable accessory: USB-A 2.0 TO USB-C CABLE

9.5 Light sensor connector – RTI

PIN NO.	SYMBOL	DESCRIPTION	NOTE
1	GND	Ground	
2	ADC_IN	ADC Input from Light sensor; Maximum input 3.3V	
3	NC	No connection	
4	Light sensor VDD	Light sensor VDD	Note 1

Note 1. The output voltage ranges from 3.0 V to 3.6 V. The maximum current is 50mA.

Note 2. Matched Riverdi cable accessory: RVA-0104M-1.25FF

9.6 Backlight PWM & Power -J5

PIN NO.	SYMBOL	DESCRIPTION	NOTE
1	GND	Ground	
2	GND	Ground	
3	EN	Backlight enable, active H	
4	PWM	PWM input; 3.3V	Note 1
5	VDD	Power supply 7.0V - 30.0V	Note 2
6	VDD	Power supply 7.0V - 30.0V	

Note 1. PWM frequency range: 1kHz - 10kHz

Note 2. Pin 5&6 are internally connected with power connector(DC), VDD.

So, the voltage range is the same as power connector(DC)

Note 3. 4 position-DIP onboard switch **SW6** is used to choose the power source to backlight. The settings are:

- INTERNAL BL PWM: Set 1&2 to OFF, and 3&4 to ON,
- EXTERNAL BL PWM: Set 1&2 to ON, and 3&4 to OFF.

Note 4. Matched Riverdi cable accessory: RVA-0106M-1.25FF-1

9.7 UART connector -J2

PIN NO.	SYMBOL	DESCRIPTION	NOTE
1	GND	Ground	
2	RXD	Receive Data	
3	TXD	Transmit Data	
4	VDD_UART	UART VDD;	Note 2

Note 1. UART functionality is under development process.

Note 2. The output voltage ranges from 3.0 V to 3.6 V. The maximum current is 50mA.



Note 3. Matched Riverdi cable accessory: RVA-0104M-1.25FF

9.8 External Keyboard connector - J1

PIN NO.	SYMBOL	DESCRIPTION
1	Down	Page down
2	Up	Page up
3	Exit	Exit
4	Menu	Menu
5	PWR	Power on/off
6	LED_EN	LED Enable; Output signal 3.3V
7	GND	Ground
8	Keyboard VDD	Keyboard VDD; Output 3.3V

Note 1. Matched Riverdi cable accessory: RVA-0108M-1.25FF

10. DISPLAY SPECIFICATION

The TFT of the module applies Riverdi high brightness, IPS, 7.0" RGB: RVT70HSTNWCA0

The supported resolution of the display in this module is 1024*600.

For detailed information, please refer to datasheet of display.

11. CAPACITIVE TOUCH SCREEN PANLE SPECIFICATIONS

11.1 Mechanical characteristics

DESCRIPTION	SPECIFICATION	REMARK
Touch Panel Size	7.0 inch	aTouch
Outline Dimension of CTP	164.90 mm x 100.00 mm	
Product Thickness	2.45 mm	
Glass Thickness	1.1 mm	
CTP View Area	155.01 mm x 86.72 mm	
Sensor Active Area	156.08 mm x 88.42 mm	
Structure type	Glass + Glass	
Surface Hardness	7H	

11.2 Electrical characteristics

PARAMETER	SPECIFICATION		REMARK
Power Consumption (IDD)	Active Mode	90 mA	aTouch
	Sleep Mode	10 mA	
Linearity	+/-1.5mm		
Controller	ILI2132A		
Resolution	1024 x 600		

12.INSPECTION

Standard acceptance/rejection criteria for TFT module

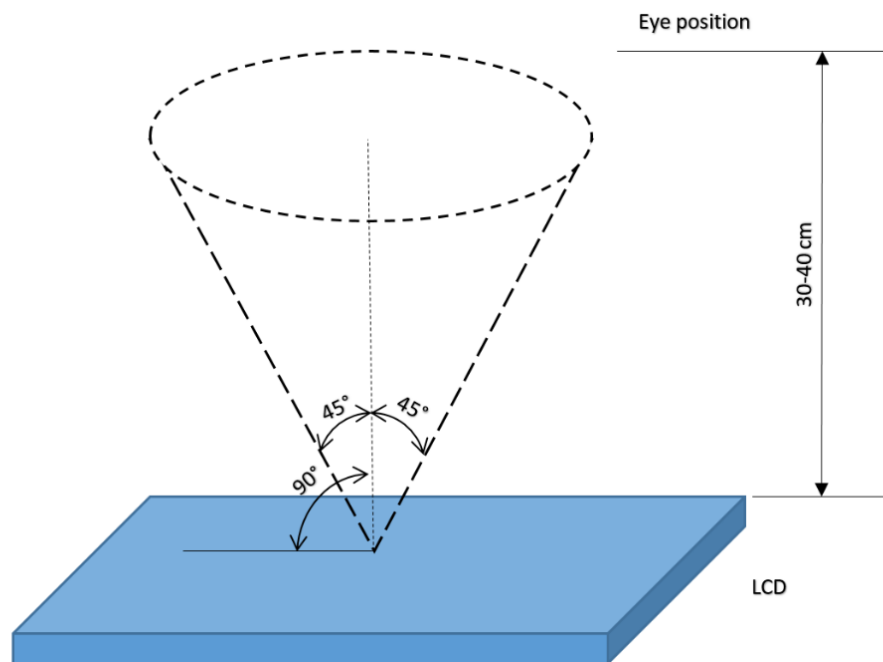
12.1 Inspection condition

Ambient conditions:

- Temperature: $25 \pm 2^{\circ}\text{C}$
- Humidity: $(60 \pm 10) \%RH$
- Illumination: Single fluorescent lamp non-directive (300 to 700 lux)

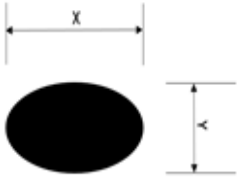

Viewing distance: $35 \pm 5\text{cm}$ between inspector bare eye and LCD.

Viewing Angle: U/D: $45^{\circ}/45^{\circ}$, L/R: $45^{\circ}/45^{\circ}$





12.2 Inspection standard

ITEM		CRITERION		
Black spots, white spots, light leakage, Foreign Particle (round Type)	 <p>$D=(x+y)/2$ Spots density: 10 mm</p>	Size = 7"		
		Average Diameter	Qualified Qty	
		$D \leq 0.2$ mm	Ignored	
		$0.2 \text{ mm} < D \leq 0.3$ mm	N≤3	
		$0.5\text{mm} < D$	Not allowed	
LCD black spots, white spots, light leakage (line Type)		Size = 7"		
		Length	Width	Qualified Qty
		-	$W \leq 0.05$	Ignored
		$L \leq 5.0$	$0.05 < W \leq 0.1$	3
		$5.0 < L$	$0.1 < W$	Not allowed
Bright/Dark Dots	Size = 7"			
	Item	Qualified Qty		
	Bright dots	N≤2		
	Dark dots	N≤3		
Total bright and dark dots		N≤4		
Clear spots	Size ≥ 5"			
	Average Diameter	Qualified Qty		
	$D < 0.2$ mm	Ignored		
	$0.2 \text{ mm} < D < 0.3$ mm	4		
	$0.3 \text{ mm} < D < 0.5$ mm	2		
$0.5 \text{ mm} < D$	0			
Polarizer bubbles	Size = 7"			
	Average Diameter	Qualified Qty		
	$D \leq 0.2$ mm	Ignored		
	$0.2 \text{ mm} < D \leq 0.5$ mm	2		
$0.5 \text{ mm} < D$	1			
Touch panel spot	Size ≥ 5"			
	Average Diameter	Qualified Qty		
	$D < 0.25$ mm	Ignored		
	$0.25 \text{ mm} < D < 0.5$ mm	4		
$0.5 \text{ mm} < D$	0			
Touch panel White line Scratch	Size ≥ 5"			
	Length	Width	Qualified Qty	
	-	$W < 0.03$	Ignored	
	$L < 5.0$	$0.03 < W < 0.05$	2	
-	$0.05 < W$	0		



13. RELIABILITY TEST

NO.	TEST ITEM	TEST CONDITION
1	High Temperature Storage	80°C/120 hours
2	Low Temperature Storage	-30°C/120 hours
3	High Temperature Operating	70 °C /120 hours
4	Low Temperature Operating	-20°C/120 hours
5	High Temperature and High Humidity	Humidity 40°C, 90%RH, 120Hrs
6	Thermal Cycling Test (No operation)	-20°C for 30min, 70°C for 30 min. 100 cycles. Then test at room temperature after 1 hour
7	Vibration Test	Frequency: 10 ÷ 55 Hz. Stroke: 1.5 mm. Sweep: 10Hz ÷ 55Hz ÷ 10 Hz. 2 hours for each direction of X, Y, Z (Total 6 hours)

Note 1. Sample quantity for each test item is 5 ÷ 10 pcs.

Note 2. Before cosmetic and function test, the product must have enough recovery time, at least 2 hours at room temperature.



14. LEGAL INFORMATION

CE marking is usually obligatory only for a complete end product. Riverdi display modules are semi-finished goods which are used as inputs to become part of the finished products.

Therefore, Riverdi display modules are not CE marked.

Riverdi grants the guarantee for the proper operation of the goods for a period of 12 months from the date of possession of the goods. If in a consequence of this guaranteed execution the customer has received the defects-free item as replacement for the defective item, the effectiveness period of this guarantee shall start anew from the moment the customer receives the defects-free item.

Information about device is the property of Riverdi and may be the subject of patents pending or granted. It is not allowed to copy or disclosed this document without prior written permission.

Riverdi endeavors to ensure that all contained information in this document is correct but does not accept liability for any error or omission. Riverdi products are in developing process and published information may be not up to date. Riverdi reserves the right to update and makes changes to Specifications or written material without prior notice at any time. It is important to check the current position with Riverdi.

Images and graphics used in this document are only for illustrative the purpose. All images and graphics are possible to be displayed on the range products of Riverdi, however the quality may vary. Riverdi is no liable to the buyer or to any third party for any indirect, incidental, special, consequential, punitive or exemplary damages (including without limitation lost profits, lost savings, or loss of business opportunity) relating to any product, service provided or to be provided by Riverdi, or the use or inability to use the same, even if Riverdi has been advised of the possibility of such damages.

Riverdi products are not fault tolerant nor designed, manufactured or intended for use or resale as on line control equipment in hazardous environments requiring fail-safe performance, such as in the operation of nuclear facilities, aircraft navigation or communication systems, air traffic control, direct life support machines or weapons systems in which the failure of the product could lead directly to death, personal injury or severe physical or environmental damage ('High-Risk Activities'). Riverdi and its suppliers specifically disclaim any expressed or implied warranty of fitness for High-Risk Activities. Using Riverdi products and devices in 'High-Risk Activities' and in any other application is entirely at the buyer's risk, and the buyer agrees to defend, indemnify and hold harmless Riverdi from all damages, claims or expenses resulting from such use. No licenses are conveyed, implicitly or otherwise, under any Riverdi intellectual property rights.



Hi, I am here to help you!
If you have any additional questions, please contact our support via email:
contact@riverdi.com



X-ON Electronics

Largest Supplier of Electrical and Electronic Components

Click to view similar products for [TFT Displays & Accessories](#) category:

Click to view products by [Riverdi](#) manufacturer:

Other Similar products are found below :

[HDA430T-3G1H](#) [NL8048AC19-14F](#) [NL6448BC20-21D](#) [NB-ATT01](#) [NB5Q-ATT01](#) [NB5Q-KBA04](#) [NB-CN001](#) [NL6448BC33-71D](#)
[NL8060BC26-35C](#) [TCG104SVLQAPNN-AN20](#) [315-U004B15300](#) [EIC-LCD-1080P](#) [T-55619GD065J-LW-ABN](#) [NLB150XG02L-01](#)
[NL6448BC20-30D](#) [NL192108AC10-01D](#) [NL6448BC20-30F](#) [NL8060BC26-35BA](#) [NL6448BC26-26D](#) [NL6448BC33-70C](#) [NL10276BC20-](#)
[18D](#) [NL8048AC19-13BD](#) [NL8060BC21-11C](#) [TM043NDH02-40](#) [NL8060BC21-11F](#) [PTPW17-070WV1S02](#) [NL6448AC18-08D](#)
[NLB121XG01L-01](#) [MTD0300ECP06DF-1](#) [PH480272T005-IAA08](#) [1190420](#) [1190417](#) [NB-RSEXT-2M](#) [RFE43BU-AIW-DNG](#) [NHD-3.5-](#)
[320240JF-ASXP](#) [NHD-3.5-320240JF-ASXP-T](#) [RFC350X-AWW-DNG](#) [RFS390E-AWW-DNN](#) [DEM 480272G2](#) [VMX-PW-N \(A-TOUCH\)](#)
[1046667](#) [RFC35AL-AIW-DNC](#) [RFF50YQ-1IW-DBN](#) [RFF50YQ-1IW-DBS](#) [RFS520A-ALW-DNN](#) [1-2186325-1](#) [13891](#) [14300](#) [DE LP-501-](#)
[Y](#) [DE LP-502-B](#) [DE LP-502-R](#)