



RVT50HQLNWN00

HB, IPS LVDS 5.0" LCD TFT DATASHEET

Rev.1.0

2022-11-23

ITEM	CONTENTS	UNIT
LCD Type	TFT/Transmissive/Normally Black/IPS	/
Size	5.0	Inch
Viewing Direction	Free	/
Outside Dimensions (W x H x D)	120.70 x 75.80 x 2.95	mm
Active Area (W x H)	108.00 x 64.80	mm
Pixel Pitch (W x H)	0.135 x 0.135	mm
Resolution	800 x 480 (RGB)	/
Brightness	1000	cd/m ²
LCD Interface Type	LVDS (6/8-bit)	/
Color Depth	16.7 M	/
Pixel Arrangement	RGB Vertical Stripe	/
LCD Driver	ST7262-G4	/
With/Without Touch	Without Touch Panel	/
Surface Treatment	Anti-Glare	/
LCD Input Voltage	3.3	V
Weight	50	g

Note 1. RoHS3 compliant

Note 2. LCM weight tolerance: $\pm 5\%$.



1. REVISION RECORD

REV NO.	REV DATE	CONTENTS	REMARKS
1.0	2022-11-23	Initial Release	



2. CONTENTS

1.	REVISION RECORD	2
2.	CONTENTS.....	3
3.	MODULE CLASSIFICATION INFORMATION	4
4.	MODULE DRAWING.....	5
5.	ABSOLUTE MAXIMUM RATINGS	6
6.	ELECTRICAL CHARACTERISTICS.....	6
7.	BACKLIGHT ELECTRICAL CHARACTERISTICS.....	6
8.	ELECTRO-OPTICAL CHARACTERISTICS	7
9.	BLOCK DIAGRAM	9
10.	INTERFACES DESCRIPTION	9
10.1	TFT assignment	9
11.	TIMING CHARACTERISTICS.....	11
11.1	System bus timing for LVDS interface	11
11.1.1	4Lane VESA Data Format Color Bit Map.....	11
11.1.2	3Lane VESA Data Format Color Bit Map.....	11
11.1.3	LVDS Input Timing.....	12
11.2	Timing Table.....	13
11.3	Power ON/OFF sequence.....	13
11.3.1	Power On sequence	13
11.3.2	Power Off sequence	14
12.	INSPECTION.....	14
12.1	Inspection condition.....	14
12.2	Inspection standard	15
13.	RELIABILITY TEST.....	16
14.	LEGAL INFORMATION	17

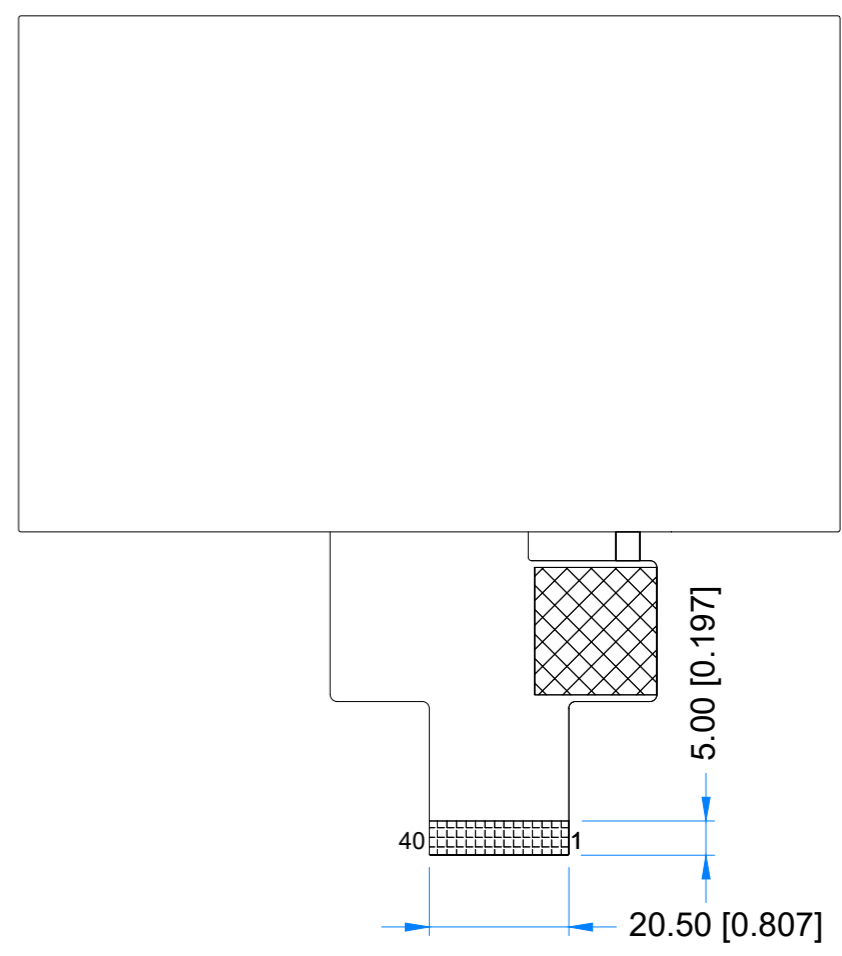
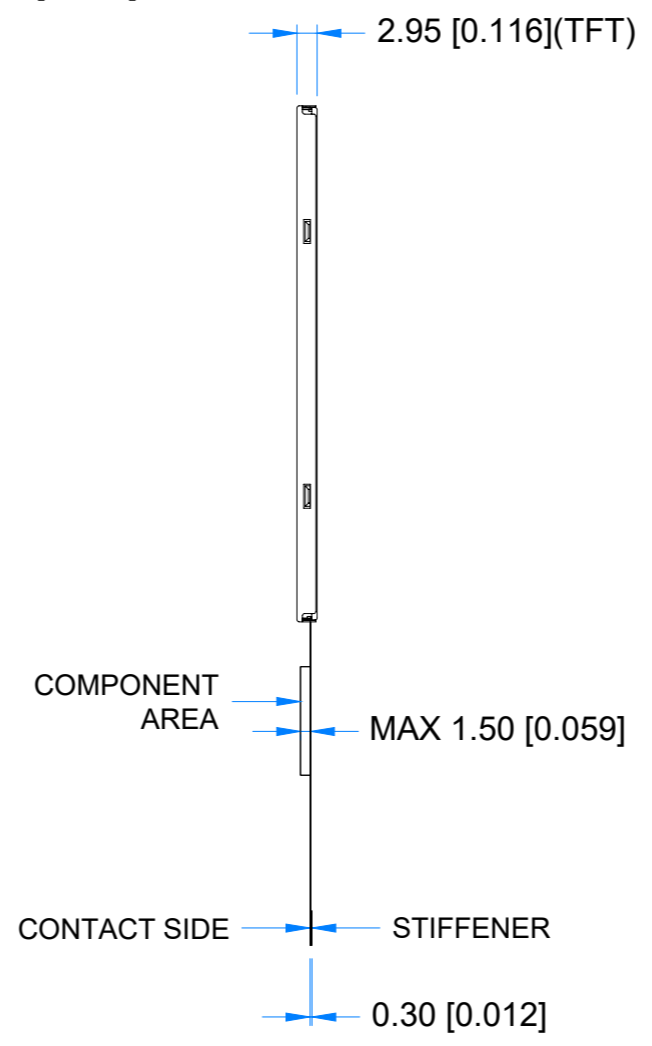
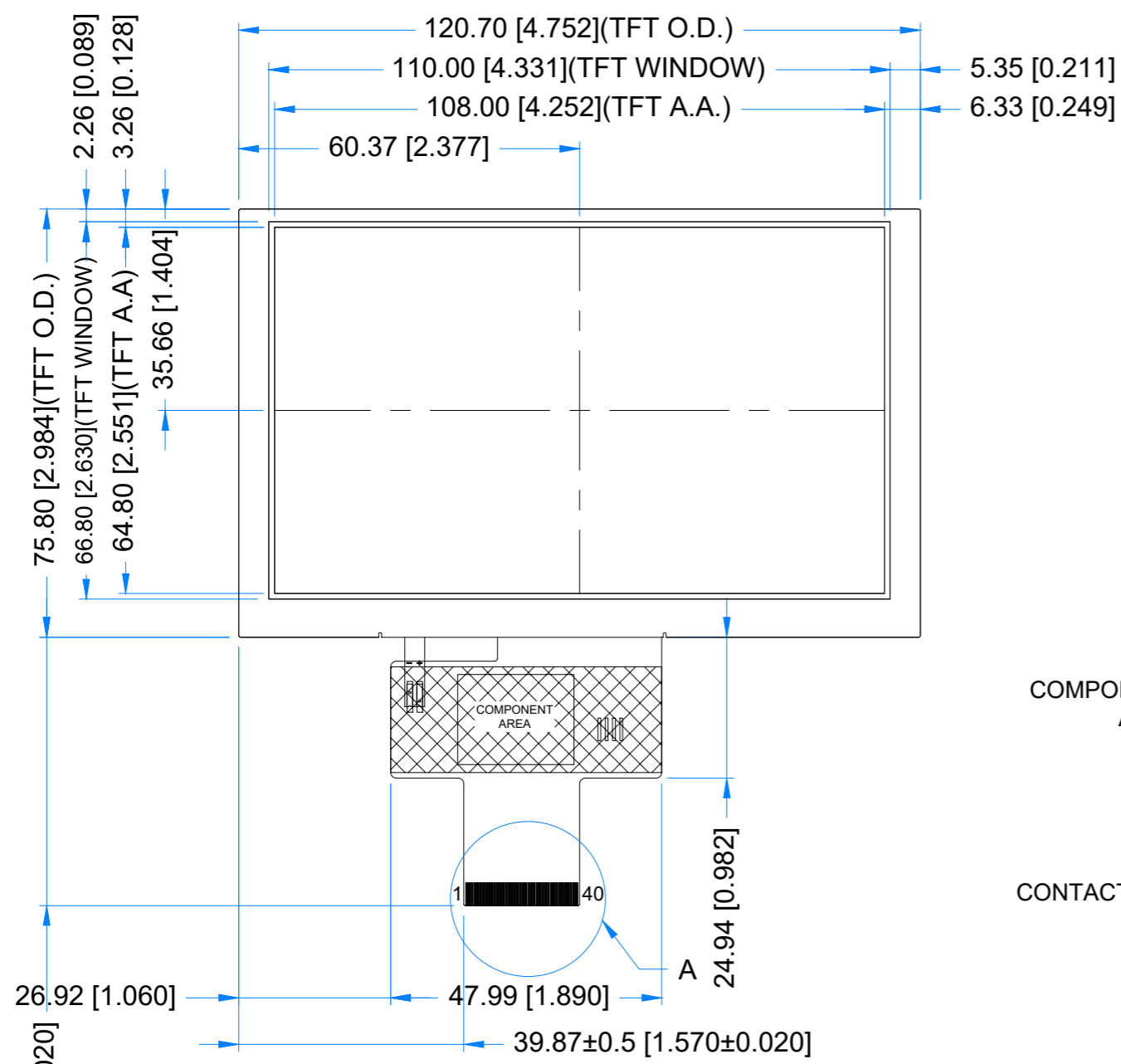


3. MODULE CLASSIFICATION INFORMATION

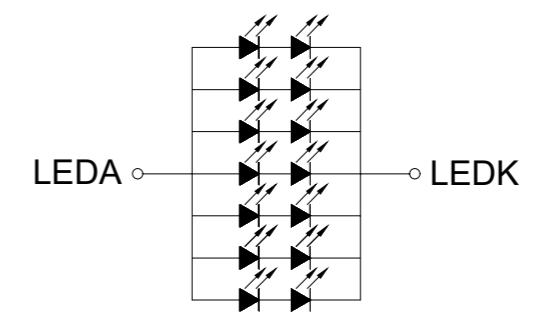
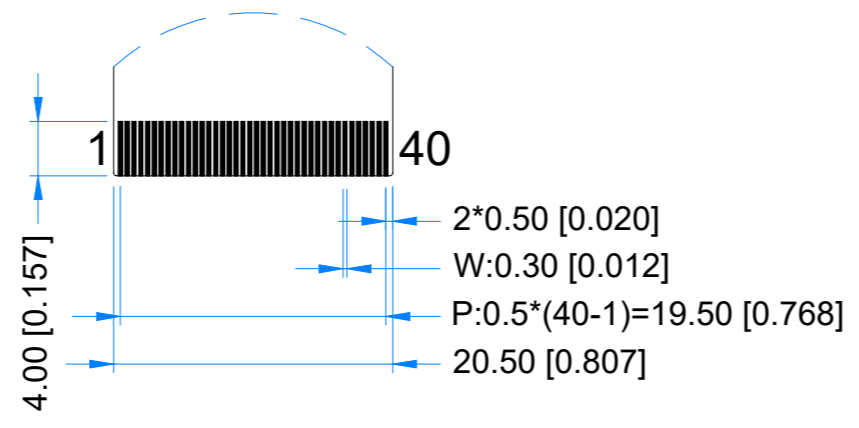
RV	T	50	H	Q	L	N	W	N	00
1.	2.	3.	4.	5.	6.	7.	8.	9.	10.

NO.	PARAMETER	SYMBOL
1.	BRAND	RV – Riverdi
2.	PRODUCT TYPE	T – TFT Standard
3.	DISPLAY SIZE	50 – 5.0"
4.	MODEL SERIAL NO.	H – High Brightness, IPS
5.	RESOLUTION	Q – 800 x 480 px
6.	INTERFACE	L – TFT LCD, LVDS
7.	FRAME	N – Without Mounting Metal Frame
8.	BACKLIGHT TYPE	W – LED White
9.	TOUCH PANEL	N – Without Touch Panel
10.	VERSION	00 – (00-99)

Revision:	Changes:	Date:
1.0	Initial Case	2022.09.15



DETAIL A
SCALE 2:1



LED Circuit Diagram

TFT NOTES:
 1. DISPLAY TYPE: TRANSMISSIVE, NORMALLY BALCK,IPS
 2. RESOLUTION: 800x480
 3. VIEWING ANGLE: FREE
 4. DRIVER IC: ST7262-G4
 5. LOGIC VOLTAGE: 3.3V
 6. SURFACE LUMINANCE: 1000cd/m²
 7. BACKLIGHT: 14LEDS, V_f=12.0V, I_f=140mA

GENERAL NOTES:
 1. OPERATING TEMPERATURE: -20°C ~ 70°C
 2. STORAGE TEMPERATURE: -30°C ~ 80°C
 3. WITHOUT INDIVIDUAL TOLERANCE:
 ±0.3mm[0.012inch]
 4. RoHS3 COMPLIANT

PN: RVT50HQLNWN00
 SN: Carol Gao
 DRAWN: M.Natywa
 CHECKED: Carol Gao
 APPR:



2022.09.15	1:1.11	
2022.09.16	[mm]	
	ISO A3	

P. 1 of 1



5. ABSOLUTE MAXIMUM RATINGS

PARAMETER	SYMBOL	MIN	MAX	UNIT
Operating Ambient temperature	T_{OP}	-20	70	°C
Storage Temperature	T_{ST}	-30	80	°C
Operating Ambient Humidity	H_{OP}	10	90	% RH
Power for Circuit Driving	V_{DD}	-0.3	5	V
Backlight Forward Current	I_{LED}	-	25	mA

Note. The above are maximum values. If exceeded, they may cause permanent damage to the unit.

6. ELECTRICAL CHARACTERISTICS

PARAMETER	SYMBOL	MIN	TYP	MAX	UNIT
Power Supply for analog circuit	V_{DD}	3.0	3.3	3.6	V
Logic Input Voltage	Low Voltage	V_{IL}	0	$0.3V_{DD}$	
	High Voltage	V_{IH}	$0.7V_{DD}$	V_{DD}	
Logic Output Voltage	Low Voltage	V_{OL}	-	$GND+0.4$	
	High Voltage	V_{OH}	$V_{DD} - 0.4$	-	
Power Consumption	Black Mode	P_b	80	100	mA
	Standby Mode	P_w	40	50	μA

7. BACKLIGHT ELECTRICAL CHARACTERISTICS

PARAMETER	SYMBOL	MIN	TYP	MAX	UNIT	NOTE
Backlight Driving Voltage	V_F	11.2	12.0	12.8	V	Notes 1, 2
Backlight Driving Current	I_F	-	140	-	mA	
Backlight Power Consumption	W_{BL}	-	1680	-	mW	
Backlight Lifetime	-	-	50,000	-	hours	Note 3

Note 1. Unless specified, the ambient temperature $T_a = 25^\circ\text{C}$

Note 2. The recommended operating conditions refer to a range in which operation of this product is guaranteed. The operation cannot be guaranteed if the absolute maximum values exceed.

Note 3. If LED is driven by high current, high ambient temperature and humidity condition, the lifetime of LED will be reduced. Operating life means brightness goes down to 50% initial brightness. Typical operating lifetime is estimated data.



8. ELECTRO-OPTICAL CHARACTERISTICS

ITEM	SYMBOL	CONDITION	MIN	TYP	MAX	UNIT	RMK	NOTE
Response Time	Tr+Tf	$\theta=0^\circ$ $\varnothing=0^\circ$ Ta=25 °C	-	30	40	ms	FIG 1.	4, 7
Contrast Ratio	Cr		800	1000	-	---	FIG 2.	1, 7
Luminance Uniformity	δ WHITE		75	80	-	%		3, 7
Surface Luminance	Lv		900	1000	-	cd/m ²		2, 7
Viewing Angle Range	θ	$\varnothing = 90^\circ$	-	80	-	deg	FIG 3.	6
		$\varnothing = 270^\circ$	-	80	-	deg		
		$\varnothing = 0^\circ$	-	80	-	deg		
		$\varnothing = 180^\circ$	-	80	-	deg		
CIE (x, y) Chromaticity	Rx	$\theta=0^\circ$ $\varnothing=0^\circ$ Ta=25 °C	0.575	0.615	0.655	-	FIG 2.	5,7
	Ry		0.296	0.336	0.376	-		
	Gx		0.352	0.392	0.432	-		
	Gy		0.512	0.552	0.592	-		
	Bx		0.100	0.140	0.180	-		
	By		0.085	0.125	0.165	-		
	Wx		0.274	0.316	0.358	-		
	Wy		0.294	0.336	0.378	-		

Note 1. Contrast Ratio (CR) is defined mathematically as below, for more information see Figure 2.

$$\text{Contrast Ratio} = \frac{\text{Average Surface Luminance with all white pixels (P1, P2, P3, P4, P5)}}{\text{Average Surface Luminance with all black pixels (P1, P2, P3, P4, P5)}}$$

Note 2. Surface luminance is the LCD surface from the surface with all pixels displaying white. For more information see Figure 2.

$$L_v = \text{Average Surface Luminance with all white pixels (P1, P2, P3, P4, P5)}$$

Note 3. The uniformity in surface luminance δ WHITE is determined by measuring luminance at each test position 1 through 5, and then dividing the minimum luminance of 5 points luminance by maximum luminance of 5 points luminance. For more information see Figure 2.

$$\delta \text{ WHITE} = \frac{\text{Minimum Surface Luminance with all white pixels (P1, P2, P3, P4, P5)}}{\text{Maximum Surface Luminance with all white pixels (P1, P2, P3, P4, P5)}}$$

Note 4. Response time is the time required for the display to transition from white to black (Rise Time, Tr) and from black to white (Decay Time, Tf). For additional information see Figure 1. The test equipment is BM-7A.

Note 5. CIE (x, y) chromaticity, the x, y value is determined by measuring luminance at each test position 1 through 5, and then make average value.

Note 6. For TFT module, viewing angle is the angle at which the contrast ratio is greater 10. The angles are determined for the horizontal or x axis and the vertical or y axis with respect to the z axis which is normal to LCD surface. For more information see Figure 3.



Note 7. Viewing angle is measured at the center point of the LCD by CONOSCOPE (ergo-80). For response time testing, the testing data is based on BM-7A. Instruments for Contrast Ratio, Surface Luminance, Luminance Uniformity, Chromaticity the test data is based on SR-3A.

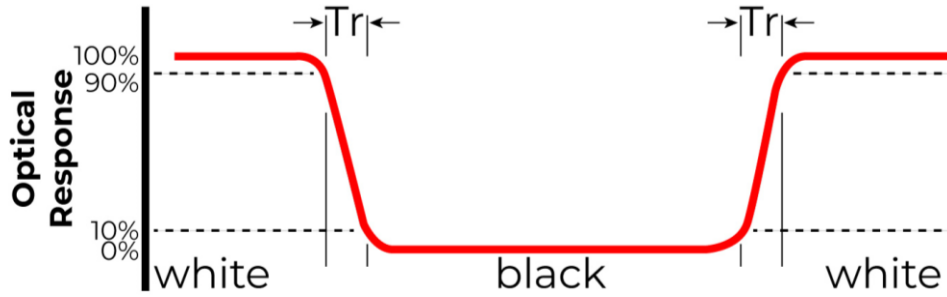


Figure 1. The definition of response time

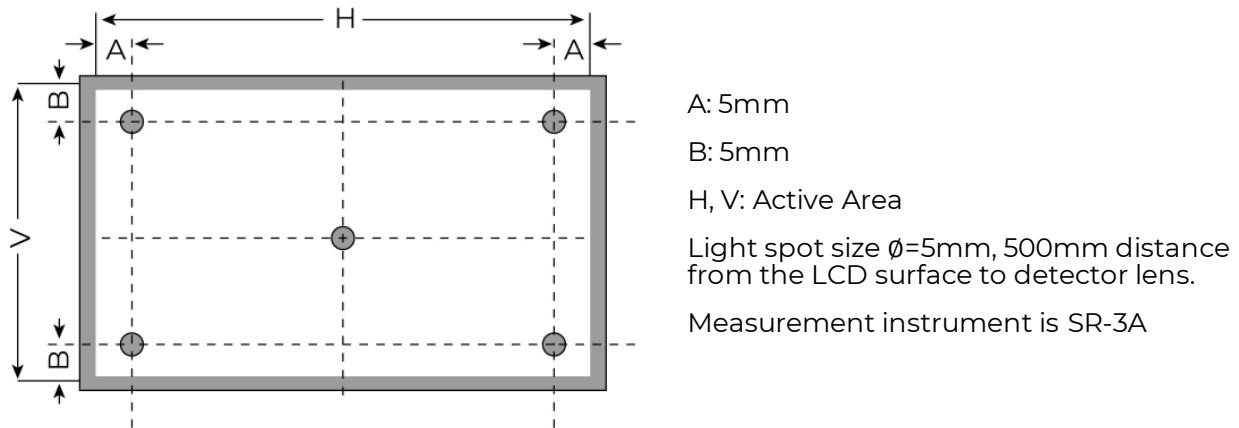


Figure 2. Measuring method for Contrast ratio, surface luminance, Luminance uniformity, CIE (x, y) chromaticity

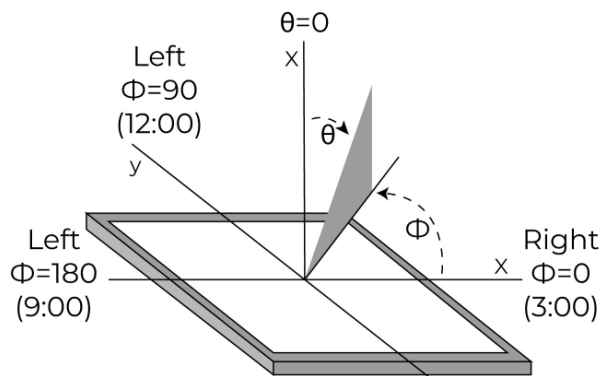
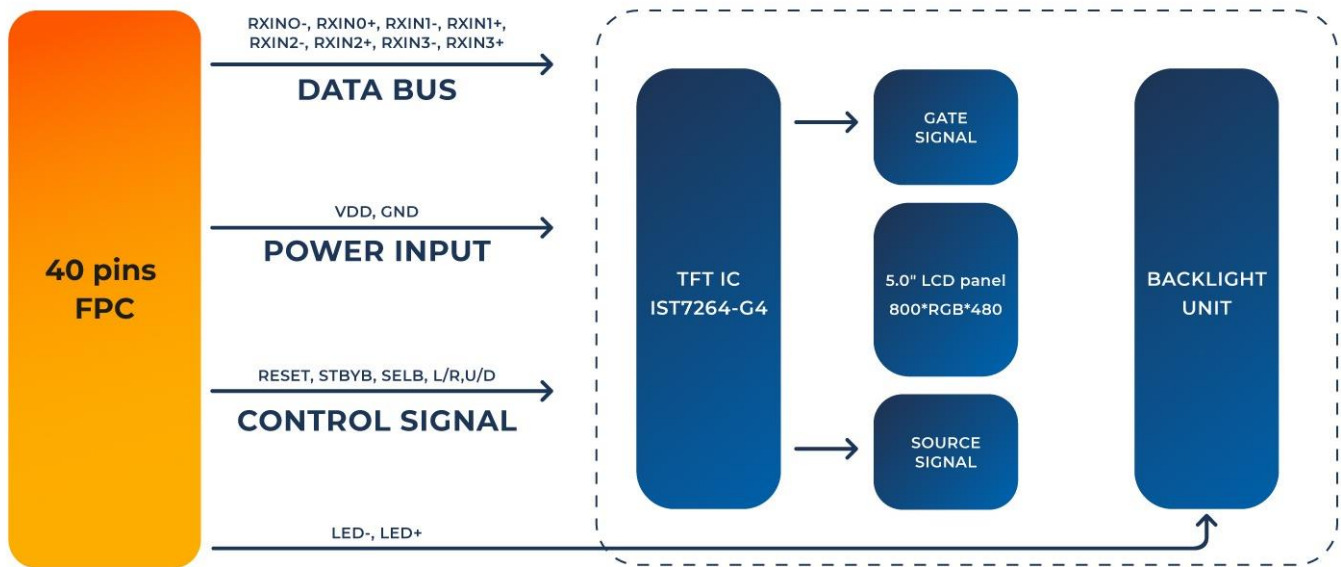


Figure 3. The definition of viewing angle

9. BLOCK DIAGRAM



10. INTERFACES DESCRIPTION

10.1 TFT assignment

Matched Riverdi ZIF connector: ZIF0540UH

PIN	SYMBOL	I/O	DESCRIPTION	NOTE
1	NC	-	No connection	
2, 3	VDD	P	Power voltage for digital circuit	
4	NC	-	No connection	
5	RESET	I	Global reset pin	
6	STBYB	I	Standby mode setting normally pulled high. STBYB=0: Standby mode STBYB=1: Normal mode	
7	GND	P	Ground	
8	RXIN0-	I	-LVDS differential data input	
9	RXIN0+	I	+LVDS differential data input	
10	GND	P	Ground	
11	RXIN1-	I	-LVDS differential data input	
12	RXIN1+	I	+LVDS differential data input	
13	GND	P	Ground	
14	RXIN2-	I	-LVDS differential data input	
15	RXIN2+	I	+LVDS differential data input	
16	GND	P	Ground	
17	RXCLKIN-	I	-LVDS differential clock input	
18	RXCLKIN+	I	+LVDS differential clock input	
19	GND	P	Ground	
20	RXIN3-	I	-LVDS differential data input	
21	RXIN3+	I	+LVDS differential data input	
22	GND	P	Ground	
23, 24	NC	-	No connection	
25	GND	P	Ground	



26, 27	NC	-	No connection	
28	SELB	I	6-bit /8-bit mode select. Set 'LOW' for 6-bit data input mode, Set 'HIGH' for 8-bit data input mode (Default)	
29	NC	-	No connection	
30	GND	P	Ground	
31, 32	LED-	P	Backlight LED Cathode	
33	L/R	I	Horizontal inversion	Note 1
34	U/D	I	Vertical inversion	
35-38	NC	-	No connection	
39, 40	LED+	P	Backlight LED Anode	

Note 1. U/D L/R Function Description

SCAN CONTROL INPUT		SCANNING DIRECTION
U/D	L/R	
H (default)	H (default)	From up to down, from left to right
H	L	From up to down, from right to left
L	H	From down to up, from left to right
L	L	From down to up, from right to left

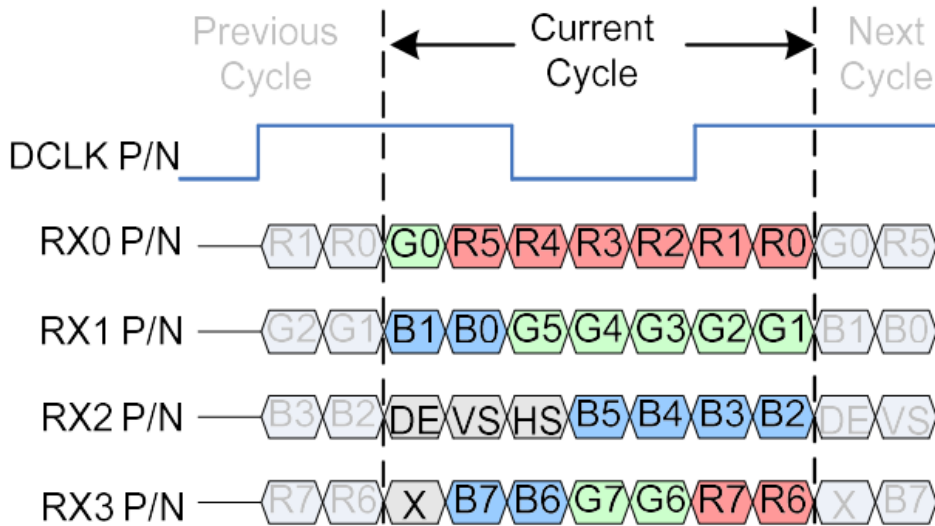


11. TIMING CHARACTERISTICS

11.1 System bus timing for LVDS interface

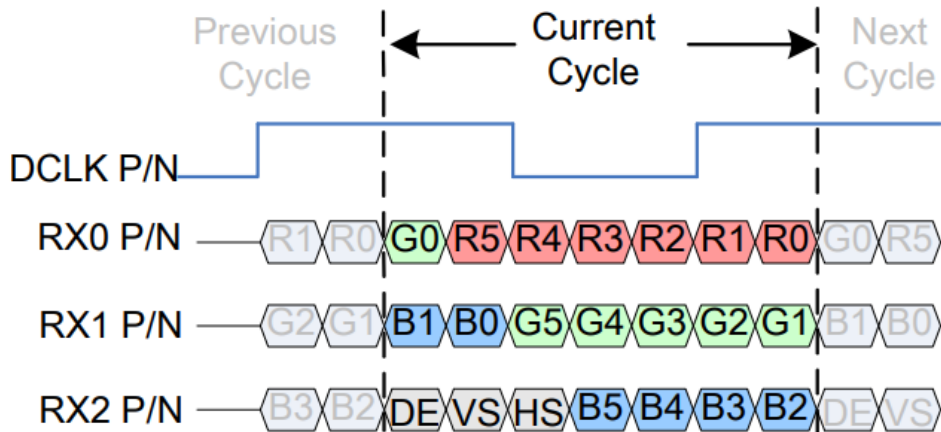
11.1.1 4Lane VESA Data Format Color Bit Map

8-bit LVDS input mode, SELB='H'



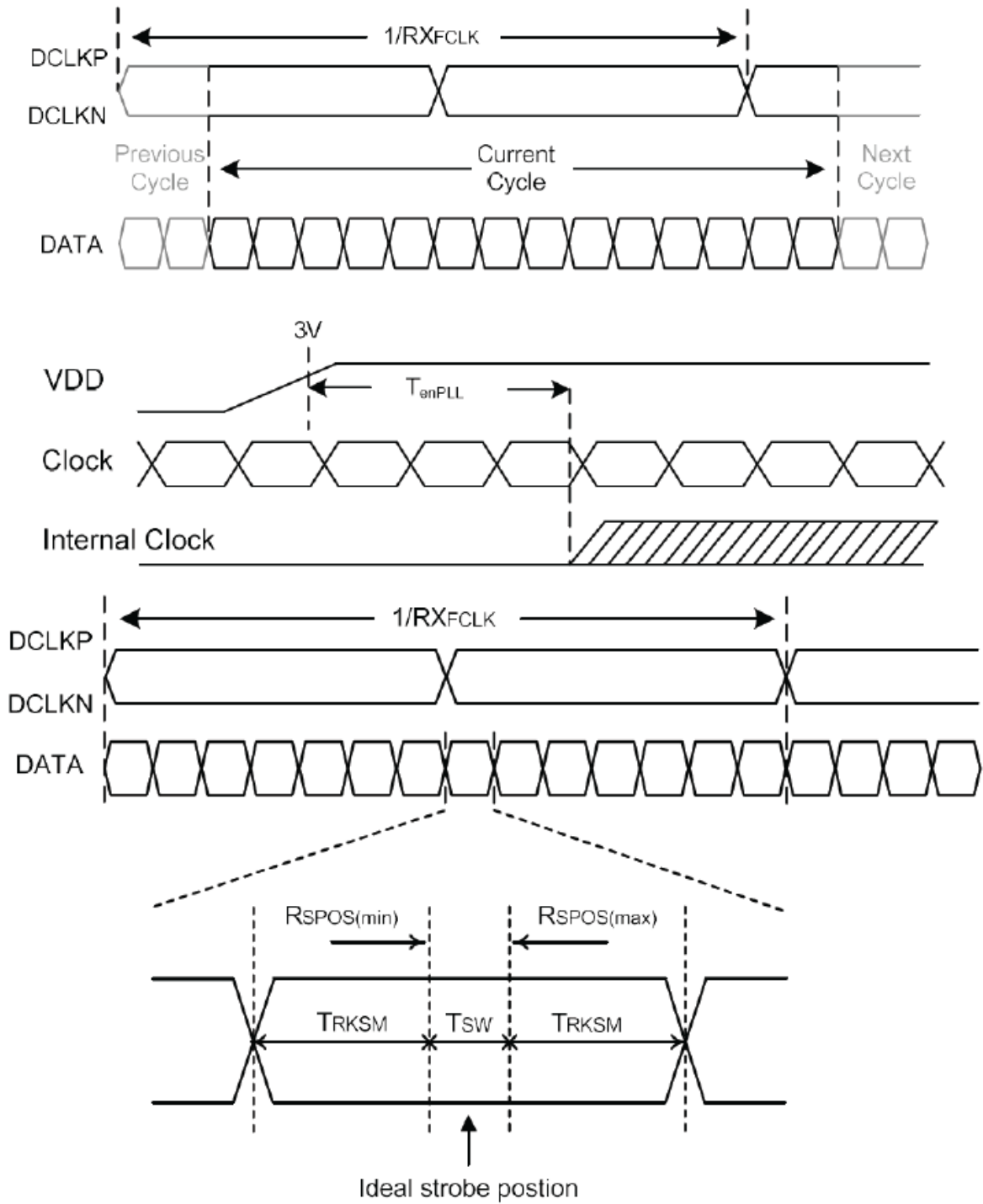
11.1.2 3Lane VESA Data Format Color Bit Map

6-bit LVDS input mode, SELB='L'





11.1.3 LVDS Input Timing



R_{RKSM} : Receiver strobe margin

R_{SPOS} : Receiver strobe position

T_{SW} : Strobe width (internal DATA sampling window)



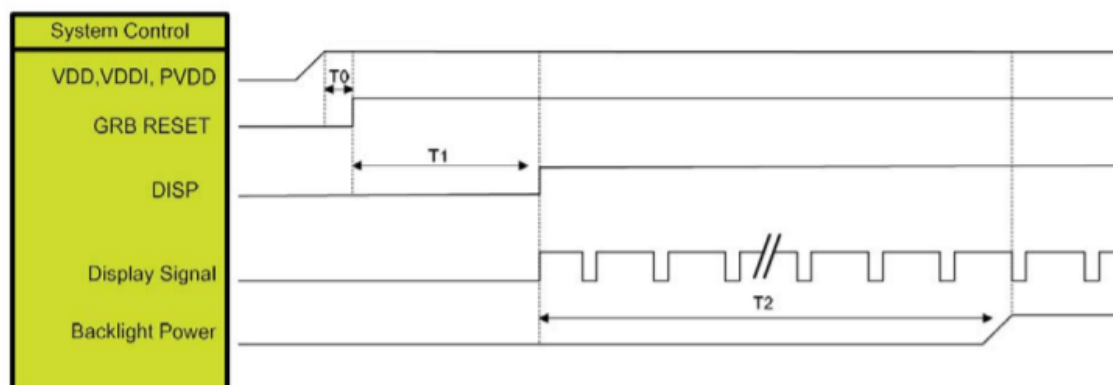
PARAMETER	SYMBOL	MIN	TYP	MAX	UNIT
Clock Frequency	RX _{FCLK}	23	25	27	MHz
Input Data Skew Margin	T _{RKSM}	400	-	-	ps
Clock High Time	T _{LVGH}	4/(7 x RXfclk)			ns
Clock Low Time	T _{LVGL}	3/(7 x RXfclk)			ns
PLL Wake-up Time	T _{enPLL}	-	-	150	μs
LVDS Spread Spectrum Clocking (SSC) Tolerance of LVDS Receiver					
Modulation Frequency	SSC _{MF}	-	-	100	KHz
Modulation Rate	SSC _{MR}	-	-	±3	%

11.2 Timing Table

PARAMETER	SYMBOL	MIN	TYP	MAX	UNIT
DCLK Frequency	Fclk	23	25	27	MHz
HSYNC	Period Time	Th	816	896	DCLK
	Display Period	Thdisp	800		
	H _{sync} Back Porch	Thbp	8	48	
	H _{sync} Front Porch	Thfp	8	48	
	H _{sync} Pulse Width	Thw	4	8	
VSYNC	Period Time	Tv	496	504	HSYNC
	Display Period	Tvdisp	480		
	V _{sync} Back Porch	Tvbp	8	12	
	V _{sync} Front Porch	Tvfp	8	12	
	V _{sync} Pulse Width	Tvw	4	8	

11.3 Power ON/OFF sequence

11.3.1 Power On sequence

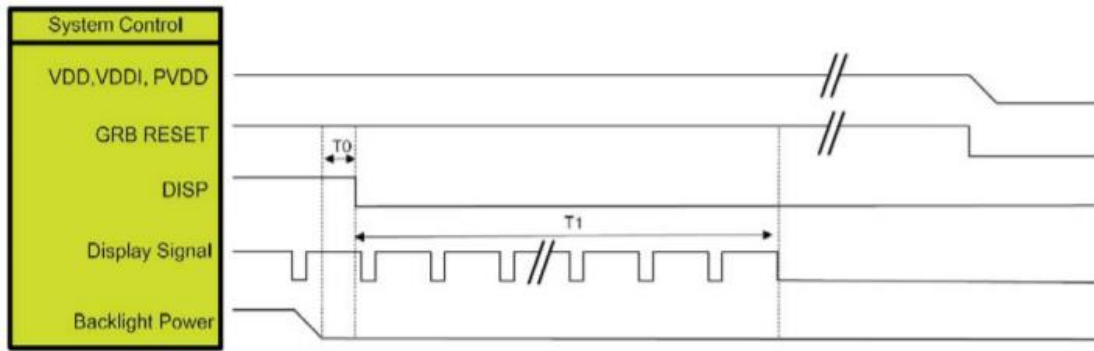


SYMBOL	DESCRIPTION	MIN. TIME	UNIT
T0	System power stability to GRB RESET signal	0	ms
T1	GRB RESET=" High" to DISP=" High"	10	
T2	Display Signal output to Backlight Power on	250	

Note. LVDS interface Display signal: DCLK P/N; RX [3:0] P/N.



11.3.2 Power Off sequence



SYMBOL	DESCRIPTION	MIN. TIME	UNIT
T0	Backlight Power off to DISP="Low"	5	ms
T1	DISP="Low" to IC internal voltage discharge complete	100	

Note. LVDS interface Display signal: DCLK P/N; RX [3:0] P/N.

12. INSPECTION

Standard acceptance/rejection criteria for TFT module

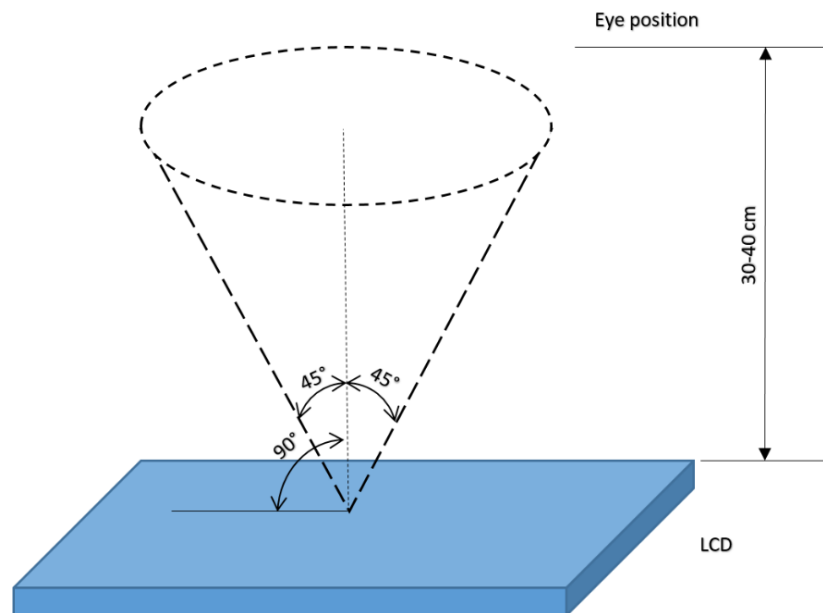
12.1 Inspection condition

Ambient conditions:

- Temperature: $25 \pm 2^\circ\text{C}$
- Humidity: $(60 \pm 10) \%RH$
- Illumination: Single fluorescent lamp non-directive (300 to 700 lux)

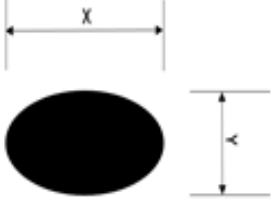
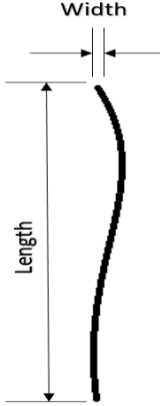
Viewing distance: $35 \pm 5\text{cm}$ between inspector bare eye and LCD.

Viewing Angle: U/D: $45^\circ/45^\circ$, L/R: $45^\circ/45^\circ$





12.2 Inspection standard

ITEM		CRITERION		
Black spots, white spots, light leakage, Foreign Particle (round Type)	 $D=(x+y)/2$ Spots density: 10 mm	3.5" ≤ Size ≤ 5"		
		Average Diameter	Qualified Qty	
		$D \leq 0.15 \text{ mm}$	Ignored	
		$0.15 \text{ mm} < D \leq 0.3 \text{ mm}$	N≤3	
		$0.3 \text{ mm} < D$	Not allowed	
LCD black spots, white spots, light leakage (line Type)	 Spots density: 10 mm	3.5" ≤ Size ≤ 5"		
		Length	Width	Qualified Qty
		-	$W \leq 0.03$	Ignored
		$L \leq 3.0$	$0.03 < W \leq 0.05$	2
		$L \leq 3.0$	$0.05 < W \leq 0.1$	1
		$3.0 < L$	$0.1 < W$	Not allowed
Bright/Dark Dots	3.5" ≤ Size ≤ 5"			
	Item	Qualified Qty		
	Bright dots	N ≤ 1		
	Dark dots	N ≤ 2		
Total Bright and Dark Dots		N ≤ 3		
Clear spots	Size ≤ 5"			
	Average Diameter	Qualified Qty		
	$D < 0.2 \text{ mm}$	Ignored		
	$0.2 \text{ mm} < D < 0.3 \text{ mm}$	3		
	$0.3 \text{ mm} < D < 0.5 \text{ mm}$	2		
	$0.5 \text{ mm} < D$	0		
Spots density: 10 mm				
Polarizer bubbles	3.5" ≤ Size ≤ 5"			
	Average Diameter	Qualified Qty		
	$D \leq 0.2 \text{ mm}$	Ignored		
	$0.2 \text{ mm} < D \leq 0.3 \text{ mm}$	2		
	$0.2 \text{ mm} < D \leq 0.5 \text{ mm}$	1		
	$0.5 \text{ mm} < D$	0		
Total Q'ty		3		



13. RELIABILITY TEST

NO.	TEST ITEM	TEST CONDITION	NOTE
1	High Temperature Storage	80°C/120 hours	Note 1
2	Low Temperature Storage	-30°C/120 hours	
3	High Temperature Operating	70 °C /120 hours	
4	Low Temperature Operating	-20°C/120 hours	
5	High Temperature and High Humidity	Humidity 40°C, 90%RH, 120Hrs	
6	Thermal Cycling Test (No operation)	-20°C for 30min, 70°C for 30 min. 100 cycles. Then test at room temperature after 1 hour	Note 2
7	Vibration Test	Frequency: 10 ÷ 55 Hz. Stroke: 1.5 mm. Sweep: 10Hz ÷ 55Hz ÷ 10 Hz. 2 hours for each direction of X, Y, Z (Total 6 hours)	
8	Package Drop Test	Height: 60 cm 1 corner, 3 edges, 6 surfaces	
9	Electrostatic Discharge	±2KV, Human Body Mode, 100pF/1500Ω	

Note 1. Sample quantity for each test item is 5 ÷ 10 pcs.

Note 2. The device is kept at room temperature for 2 hours prior to starting the test



14. LEGAL INFORMATION

CE marking is usually obligatory only for a complete end product. Riverdi display modules are semi-finished goods which are used as inputs to become part of the finished products.

Therefore, Riverdi display modules are not CE marked.

This is not a standalone product. It was designed as an electronic component. It needs integration with a whole system to be fully functional.

Riverdi grants the guarantee for the proper operation of the goods for a period of 12 months from the date of possession of the goods. If in a consequence of this guaranteed execution the customer has received the defects-free item as replacement for the defective item, the effectiveness period of this guarantee shall start anew from the moment the customer receives the defects-free item.

Information about device is the property of Riverdi and may be the subject of patents pending or granted. It is not allowed to copy or disclosed this document without prior written permission.

Riverdi endeavors to ensure that all contained information in this document is correct but does not accept liability for any error or omission. Riverdi products are in developing process and published information may be not up to date. Riverdi reserves the right to update and makes changes to Specifications or written material without prior notice at any time. It is important to check the current position with Riverdi.

Images and graphics used in this document are only for illustrative the purpose. All images and graphics are possible to be displayed on the range products of Riverdi, however the quality may vary. Riverdi is no liable to the buyer or to any third party for any indirect, incidental, special, consequential, punitive, or exemplary damages (including without limitation lost profits, lost savings, or loss of business opportunity) relating to any product, service provided or to be provided by Riverdi, or the use or inability to use the same, even if Riverdi has been advised of the possibility of such damages.

Riverdi products are not fault tolerant nor designed, manufactured or intended for use or resale as on line control equipment in hazardous environments requiring fail-safe performance, such as in the operation of nuclear facilities, aircraft navigation or communication systems, air traffic control, direct life support machines or weapons systems in which the failure of the product could lead directly to death, personal injury or severe physical or environmental damage ('High-Risk Activities'). Riverdi and its suppliers specifically disclaim any expressed or implied warranty of fitness for High-Risk Activities. Using Riverdi products and devices in 'High-Risk Activities' and in any other application is entirely at the buyer's risk, and the buyer agrees to defend, indemnify and hold harmless Riverdi from all damages, claims or expenses resulting from such use. No licenses are conveyed, implicitly or otherwise, under any Riverdi intellectual property rights.



Hi, I am here to help you!
If you have any additional questions, please contact our support via email:
contact@riverdi.com



X-ON Electronics

Largest Supplier of Electrical and Electronic Components

Click to view similar products for [TFT Displays & Accessories](#) category:

Click to view products by [Riverdi](#) manufacturer:

Other Similar products are found below :

[OAI-80038AA-2013-A](#) [HDA430T-3G1H](#) [NB-ATT01](#) [NL8060BC26-35C](#) [TCG104SVLQAPNN-AN20](#) [OAI-80038AA-2008-A](#) [315-U004B15300](#) [EIC-LCD-1080P](#) [NL10276BC20-18C](#) [DEM 128160D](#) [TMH-PW-N](#) [RFE43BU-AIW-DNG](#) [EA WF050-40S](#) [EA WF050-40ST](#) [RFC350X-AWW-DNG](#) [RFS390E-AWW-DNN](#) [DEM 480272G2](#) [VMX-PW-N \(A-TOUCH\)](#) [PH800480T013-ICA](#) [DEM 1024600N](#) [VMX-PW-N \(C-TOUCH\)](#) [DEM 1024600P](#) [VMH-PW-N \(C-TOUCH\)](#) [SM-RVT50HQHNWCA0](#) [DEM 240280A](#) [VMH-PW-N](#) [DEM 170320A](#) [VMH-PW-N](#) [PH240320T068-LAB08](#) [DEM 800480T1](#) [TMH-PW-N](#) [PH128128T041-LAA07](#) [PH480272T005-IAC02](#) [DEM 1024600P](#) [VMH-PW-N \(A-TOUCH\)](#) [DEM 800480T1](#) [TMH-PW-N \(C-TOUCH\)](#) [DEM 800480Q4](#) [VMX-PW-N](#) [DEM 800480T1](#) [TMH-PW-N \(A-TOUCH\)](#) [PH320240T-023-I02Q](#) [PH128800T004-ZZA01](#) [RFE430W-1YW-DBS](#) [DEM 1024600N](#) [VMX-PW-N \(A-TOUCH\)](#) [PH240320T074-ZAA01](#) [DEM 480480D](#) [VMX-PW-N \(C-TOUCH\)](#) [SM-RVT50HQSNNWN00](#) [SM-RVT50HQHNWC00](#) [PH800480T033-ICB01](#) [RFE430W-AWW-DNN](#) [DEM 096096A](#) [VMH-PW-N](#) [RL0F00050000FGAAASA01](#) [PH320480T009-LAA01](#) [SM-RVT50HQSNNWCA0](#) [SM-RVT50HQSNNWC00-B](#) [PH320240T028-ZEA01](#) [RFE430W-1YW-DBN](#) [SM-RVT50HQHNWC00-B](#) [DEM 120240A](#) [VMH-PW-N](#) [DEM 268800A](#) [VMH-PW-N](#)