

# ***Rockchip RK3566 Datasheet***

**Revision 1.1  
March. 2021**

### **Revision History**

<b>Date</b>	<b>Revision</b>	<b>Description</b>
2021-3-5	1.1	Update marking information
2020-12-10	1.0	Initial release

Rockchip Confidential

## Table of Content

Table of Content .....	3
Figure Index .....	4
Table Index.....	5
Warranty Disclaimer.....	6
Chapter 1 Introduction .....	7
1.1 Overview .....	7
1.2 Features .....	7
1.3 Block Diagram .....	19
Chapter 2 Package Information.....	20
2.1 Order Information .....	20
2.2 Top Marking .....	20
2.3 FCCSP565L Dimension .....	21
2.4 Ball Map .....	23
2.5 Pin Number List .....	23
2.6 Power/Ground IO Description .....	29
2.7 Function IO Description.....	32
2.8 IO Pin Name Description .....	41
Chapter 3 Electrical Specification .....	51
3.1 Absolute Ratings .....	51
3.2 Recommended Operating Condition .....	52
3.3 DC Characteristics.....	53
3.4 Electrical Characteristics for General IO .....	54
3.5 Electrical Characteristics for PLL .....	55
3.6 Electrical Characteristics for USB 2.0 Interface .....	55
3.7 Electrical Characteristics for DDR IO.....	56
3.8 Electrical Characteristics for TSADC.....	57
3.9 Electrical Characteristics for MIPI DSI.....	57
3.10 Electrical Characteristics for MIPI CSI .....	57
3.11 Electrical Characteristics for HDMI.....	57
3.12 Electrical Characteristics for multi-PHY.....	58
Chapter 4 Thermal Management.....	59
4.1 Overview .....	59
4.2 Package Thermal Characteristics .....	59

**Figure Index**

Fig.1-1 Block Diagram .....19  
Fig.2-1 Package definition .....20  
Fig.2-2 Package Top View .....21  
Fig.2-3 Package bottom view.....21  
Fig.2-4 Package side view .....22  
Fig.2-5 Package dimension.....22  
Fig.2-6 Ball Map .....23

Rockchip Confidential

**Table Index**

Table 2-1 Pin Number List Information ..... 23

Table 2-2 Power/Ground IO information ..... 29

Table 2-3 Function IO description ..... 40

Table 2-4 IO function description list ..... 41

Table 3-1 Absolute ratings..... 51

Table 3-2 Recommended operating condition ..... 52

Table 3-3 DC Characteristics..... 53

Table 3-4 Electrical Characteristics for Digital General IO ..... 54

Table 3-5 Electrical Characteristics for Frac PLL ..... 55

Table 3-6 Electrical Characteristics for Int-PLL..... 55

Table 3-7 Electrical Characteristics for USB 2.0 Interface ..... 55

Table 3-8 Electrical Characteristics for DDR IO ..... 56

Table 3-9 Electrical Characteristics for TSADC ..... 57

Table 3-10 Electrical Characteristics for MIPI DSI ..... 57

Table 3-11 Electrical Characteristics for MIPI CSI..... 57

Table 3-12 Electrical Characteristics for HDMI ..... 57

Table 3-13 Electrical Characteristics for PCIe PHY ..... 58

Table 4-1 Thermal Resistance Characteristics..... 59

Rockchip Confidential

## Warranty Disclaimer

Rockchip Electronics Co., Ltd makes no warranty, representation or guarantee (expressed, implied, statutory, or otherwise) by or with respect to anything in this document, and shall not be liable for any implied warranties of non-infringement, merchantability or fitness for a particular purpose or for any indirect, special or consequential damages.

Information furnished is believed to be accurate and reliable. However, Rockchip Electronics Co., Ltd assumes no responsibility for the consequences of use of such information or for any infringement of patents or other rights of third parties that may result from its use.

Rockchip Electronics Co., Ltd's products are not designed, intended, or authorized for using as components in systems intended for surgical implant into the body, or other applications intended to support or sustain life, or for any other application in which the failure of the Rockchip Electronics Co., Ltd's product could create a situation where personal injury or death may occur, should buyer purchase or use Rockchip Electronics Co., Ltd's products for any such unintended or unauthorized application, buyers shall indemnify and hold Rockchip Electronics Co., Ltd and its officers, employees, subsidiaries, affiliates, and distributors harmless against all claims, costs, damages, expenses, and reasonable attorney fees arising out of, either directly or indirectly, any claim of personal injury or death that may be associated with such unintended or unauthorized use, even if such claim alleges that Rockchip Electronics Co., Ltd was negligent regarding the design or manufacture of the part.

### Copyright and Patent Right

Information in this document is provided solely to enable system and software implementers to use Rockchip Electronics Co., Ltd 's products. There are no expressed or implied copyright licenses granted hereunder to design or fabricate any integrated circuits or integrated circuits based on the information in this document.

**Rockchip Electronics Co., Ltd does not convey any license under its patent rights nor the rights of others.**

**All copyright and patent rights referenced in this document belong to their respective owners and shall be subject to corresponding copyright and patent licensing requirements.**

### Trademarks

Rockchip and Rockchip™ logo and the name of Rockchip Electronics Co., Ltd's products are trademarks of Rockchip Electronics Co., Ltd. and are exclusively owned by Rockchip Electronics Co., Ltd. References to other companies and their products use trademarks owned by the respective companies and are for reference purpose only.

### Confidentiality

The information contained herein (including any attachments) is confidential. The recipient hereby acknowledges the confidentiality of this document, and except for the specific purpose, this document shall not be disclosed to any third party.

**Reverse engineering or disassembly is prohibited.**

**ROCKCHIP ELECTRONICS CO.,LTD. RESERVES THE RIGHT TO MAKE CHANGES IN ITS PRODUCTS OR PRODUCT SPECIFICATIONS WITH THE INTENT TO IMPROVE FUNCTION OR DESIGN AT ANY TIME AND WITHOUT NOTICE AND IS NOT REQUIRED TO UNDATE THIS DOCUMENTATION TO REFLECT SUCH CHANGES.**

### Copyright © 2021 Rockchip Electronics Co., Ltd.

All rights reserved. No part of this publication may be reproduced, stored in a retrieval system, or transmitted in any form or by any means, electric or mechanical, by photocopying, recording, or otherwise, without the prior written consent of Rockchip Electronics Co., Ltd.

## Chapter 1 Introduction

### 1.1 Overview

RK3566 is a high-performance and low power quad-core application processor designed for personal mobile internet device and AIoT equipment.

Many embedded powerful hardware engines are provided to optimize performance for high-end application. RK3566 supports almost full-format H.264 decoder by 4K@60fps, H.265 decoder by 4K@60fps, also support H.264/H.265 encoder by 1080p@60fps, high-quality JPEG encoder/decoder.

Embedded 3D GPU makes RK3566 completely compatible with OpenGL ES 1.1/2.0/3.2, OpenCL 2.0 and Vulkan 1.1. Special 2D hardware engine will maximize display performance and provide very smoothly operation.

The build-in NPU supports INT8/INT16/FP16/BFP16 MAC hybrid operation. In addition, with its strong compatibility, network models based on a series of frameworks such as TensorFlow/MXNet/PyTorch/Caffe can be easily converted.

RK3566 has high-performance external memory interface(DDR3/DDR3L/DDR4 /LPDDR3/LPDDR4/LPDDR4X) capable of sustaining demanding memory bandwidths.

### 1.2 Features

The features listed below which may or may not be present in actual product, may be subject to the third party licensing requirements. Please contact Rockchip for actual product feature configurations and licensing requirements.

#### 1.2.1 Microprocessor

- Quad-core ARM Cortex-A55 CPU
- ARM Neon Advanced SIMD (single instruction, multiple data) support for accelerated media and signal processing computation
- Include VFP hardware to support single and double-precision operations
- ARMv8 Cryptography Extensions
- Integrated 32KB L1 instruction cache, 32KB L1 data cache
- 512KB unified system L3 cache
- TrustZone technology support
- Separate power domains for CPU core system to support internal power switch and externally turn on/off based on different application scenario
  - PD\_A55\_0: 1st Cortex-A55 + Neon + FPU + L1 I/D Cache
  - PD\_A55\_1: 2nd Cortex-A55 + Neon + FPU + L1 I/D Cache
  - PD\_A55\_2: 3rd Cortex-A55 + Neon + FPU + L1 I/D Cache
  - PD\_A55\_3: 4th Cortex-A55 + Neon + FPU + L1 I/D Cache
- One isolated voltage domain

#### 1.2.2 Neural Process Unit

- Neural network acceleration engine with processing performance up to 0.8 TOPS
- Support integer 8, integer 16 convolution operation
- Support deeplearning frameworks: TensorFlow, TF-lite, Pytorch, Caffe, ONNX, MXNet, Keras, Darknet
- One isolated voltage domain

#### 1.2.3 Memory Organization

- Internal on-chip memory
  - BootROM
  - SYSTEM\_SRAM in the voltage domain of VD\_LOGIC

- PMU\_SRAM in the voltage domain of VD\_PMU for low power application
- External off-chip memory
  - DDR3/DDR3L/DDR4/LPDDR3/LPDDR4/LPDDR4X<sup>®</sup>
  - SPI Nor/Nand Flash
  - eMMC
  - SD\_Card
  - 8bits Async Nand Flash
  - 8bits toggle Nand Flash
  - 8bits ONFI Nand Flash

#### 1.2.4 Internal Memory

- Internal BootRom
  - Support system boot from the following device:
    - ◆ SPI Flash interface
    - ◆ Nand Flash
    - ◆ eMMC interface
    - ◆ SDMMC interface
  - Support system code download by the following interface:
    - ◆ USB OTG interface (Device mode)
- SYSTEM\_SRAM
  - Size: 64KB
- PMU\_SRAM
  - Size: 8KB

#### 1.2.5 External Memory or Storage device

- Dynamic Memory Interface
  - Compatible with JEDEC standards
  - Compatible with DDR3/DDR3L/LPDDR3/DDR4/LPDDR4/LPDDR4X
  - Support 32bits data width, 2 ranks (chip selects), total addressing space is 8GB(max) for DDR3/DDR3L/DDR4
  - Support 32bits data width, 4 ranks (chip selects), total addressing space is 8GB(max) for LPDDR3/LPDDR4/LPDDR4X
  - Low power modes, such as power-down and self-refresh for SDRAM
  - Compensation for board delays and variable latencies through programmable pipelines
  - Programmable output and ODT impedance with dynamic PVT compensation
- eMMC Interface
  - Compatible with standard iNAND interface
  - Compatible with eMMC specification 4.41, 4.51, 5.0 and 5.1
  - Support three data bus width: 1bit, 4bits or 8bits
  - Support HS200;
  - Support CMD Queue
- SD/MMC Interface
  - Compatible with SD3.0, MMC ver4.51
  - Data bus width is 4bits
- Nand Flash Interface
  - Support async nand flash, each channel 8bits, up to 4 banks
  - Support ONFI Synchronous Flash Interface, each channel 8bits, up to 4 banks
  - Support Toggle Flash Interface, each channel 8bits, up to 4 banks
  - Support sync DDR nand flash, each channel 8bits, up to 4 banks
  - Support LBA nand flash in async or sync mode



- Support SLC,MLC,2D/3D TLC nand flash
- Up to 70bits/1KB hardware ECC
- For DDR nand flash, support DLL bypass and 1/4 or 1/8 clock adjust, maximum clock rate is 75MHz
- For async nand flash, support configurable interface timing , maximum data rate is 16bits/cycle
- SPI Flash Interface
  - Support Serial NOR Flash, NAND Flash, pSRAM and SRAM
  - Support SDR mode
  - Support 1bit/2bit/4bit data width

### 1.2.6 System Component

- CRU (clock & reset unit)
  - Support clock gating control for individual components
  - One oscillator with 24MHz clock input
  - Support global soft-reset control for whole chip, also individual soft-reset for each component
- MCU
  - 32bits microcontroller core
  - Harvard architecture separate Instruction and Data memories
  - Integrated Programmable Interrupt Controller (IPIC)
  - Integrated Debug Controller with JTAG interface
- PMU(power management unit)
  - 5 separate voltage domains(VD\_CORE/VD\_LOGIC/VD\_NPU/VD\_GPU/VD\_PMU)
  - 15 separate power domains, which can be power up/down by software based on different application scenes
  - Multiple configurable work modes to save power by different frequency or automatic clock gating control or power domain on/off control
- Timer
  - Six 64bits timers with interrupt-based operation for non-secure application
  - Two 64bits timers with interrupt-based operation for secure application
  - Support two operation modes: free-running and user-defined count
  - Support timer work state checkable
- Watchdog
  - 32bits watchdog counter
  - Counter counts down from a preset value to 0 to indicate the occurrence of a timeout
  - WDT can perform two types of operations when timeout occurs:
    - ◆ Generate a system reset
    - ◆ First generate an interrupt and if this is not cleared by the service routine by the time a second timeout occurs then generate a system reset
  - Programmable reset pulse length
  - Totally 16 defined-ranges of main timeout period
  - One Watchdog for non-secure application
  - One Watchdog for secure application
- Interrupt Controller
  - Support 3 PPI interrupt sources and 256 SPI interrupt sources input from different components
  - Support 16 software-triggered interrupts
  - Two interrupt outputs (nFIQ and nIRQ) separately for each Cortex-A55, both are low-level sensitive
  - Support different interrupt priority for each interrupt source, and they are always

software-programmable

- Mailbox
  - One Mailbox in SoC to service Cortex-A55 and MCU communication
  - Support four mailbox elements per mailbox, each element includes one data word, one command word register and one flag bit that can represent one interrupt
  - Provide 32 lock registers for software to use to indicate whether mailbox is occupied
- DMAC
  - Two identical DMAC blocks supported(DMAC0/DMAC1)
  - Micro-code programming based DMA
  - The specific instruction set provides flexibility for programming DMA transfers
  - Linked list DMA function is supported to complete scatter-gather transfer
  - Support internal instruction cache
  - Embedded DMA manager thread
  - Support data transfer types with memory-to-memory, memory-to-peripheral, peripheral-to-memory
  - Signals the occurrence of various DMA events using the interrupt output signals
  - Mapping relationship between each channel and different interrupt outputs is software-programmable
  - One embedded DMA controller for system
  - DMAC features:
    - ◆ 8 channels totally
    - ◆ 23 hardware request from peripherals
    - ◆ 2 interrupt outputs
- Trust Execution Environment system
  - Support TrustZone technology for the following components
    - ◆ Cortex-A55, support security and non-security mode, switch by software
    - ◆ System general DMAC, support some dedicated channels work only in security mode
    - ◆ Secure OTP, only can be accessed by Cortex-A55 in secure mode and secure key reader block
    - ◆ SYSTEM\_SRAM, part of space is addressed only in security mode, detailed size is software-programmable together with TZMA (TrustZone memory adapter)
  - Cipher engine
    - ◆ Support SHA-1, SHA-256/224, SHA-512/384, MD5 with hardware padding
    - ◆ Support HMAC of SHA-1, SHA-256, SHA-512, MD5 with hardware padding
    - ◆ Support AES-128, AES-192, AES-256 encrypt & decrypt cipher
    - ◆ Support DES & TDES cipher
    - ◆ Support AES ECB/CBC/OFB/CFB/CTR/CTS/XTS/CCM/GCM/CBC-MAC/CMAC mode
    - ◆ Support DES/TDES ECB/CBC/OFB/CFB mode
    - ◆ Support up to 4096 bits PKA mathematical operations for RSA/ECC
  - Support data scrambling for DDR SDRAM device
  - Support up to 256 bits TRNG Output
  - Support secure OTP
  - Support secure boot
  - Support secure debug
  - Support secure OS

### 1.2.7 Video CODEC

- Video Decoder
  - H.265 HEVC/MVC Main10 Profile yuv420@L5.1 up to 4096x2304@60fps
  - H.264 AVC/MVC Main10 Profile yuv400/yuv420/yuv422/@L5.1 up to 4096x2304@60fps

- VP9 Profile0/2 yuv420@L5.1 up to 4096x2304@60fps
  - VP8 verision2,up to 1920x1088@60fps
  - VC1 Simple Profile@low, medium, high levels, Main Profile@low, medium, high levels, Advanced Profile@level0~3,up to 1920x1088@60fps
  - MPEG-4 Simple Profile@L0~6,Advanced Simple Profile@L0~5,up to 1920x1088@60fps
  - MPEG-2 Main Profile, low, medium and high levels, up to 1920x1088@60fps
  - MPEG-1 Main Profile, low, medium and high levels, up to 1920x1088@60fps
  - H.263 Profile0,levels 10-70,up to 720x576@60fps
- Video Encoder
    - H.264/AVC BP/MP/HP@level4.2, up to 1920x1080@100fps
    - H.265/HEVC MP@level4.1, up to 1920x1080@100fps (4096x4096@10fps with TILE)
    - Support YUV/RGB video source with rotation and mirror

### **1.2.8 JPEG CODEC**

- JPEG decoder
  - Decoder size is from 48x48 to 65536x65536
  - Support YUV400/YUV411/YUV420/YUV422/YUV440/YUV444
  - Support 1920x1080@120fps
  - Support MJPEG
- JPEG encoder
  - Baseline Non-progressive
  - up to 8192x8192
  - up to 90 million pixels per second

### **1.2.9 Image Enhancement (IEP module)**

- Image format support
  - Input data: YUV420/YUV422 ; semi-planar/planar; UV swap
  - Output data: YUV420/YUV422 ; semi-planar; UV swap; Tile mode
  - YUV down sampling conversion from 422 to 420
  - Max resolution for dynamic image up to 1920x1080
- De-interlace
  - I5O2: Input 5 Fields Output 2 frames mode
  - I5O1T: Input 5 Fields Output 1 Top frame mode
  - I5O1B: Input 5 Fields Output 1 Bottom frame mode
  - I2O2: Input 2 Fields Output 2 frames mode
  - I1O1T: Input 1 Field Output 1 Top frame mode
  - I1O1B: Input 1 Field Output 1 Bottom frame mode
  - PULLDOWN\_REC: Pull down Recovery mode
  - DETECT\_ONLY: Detect Only mode
  - MVHIST: De-interlace MV Histogram
  - MD: Motion Detection
  - ME: Motion Estimate
  - MC: Motion Compensation
  - EEDI: Enhanced Edge based Interpolation
  - OSD DETECT: On-Screen Display Detection
  - FF DETECT: Frame Field Detection
  - FO DETECT: Field Order Detection
  - PD DETECT: Pull down Detection
  - CC: Combining Check

### **1.2.10 Graphics Engine**

- 3D Graphics Engine:

- Mali-G52 1-Core-2EE
- Support OpenGL ES 1.1, 2.0, and 3.2
- Support Vulkan 1.0 and 1.1
- Support OpenCL 2.0 Full Profile
- Support 1600Mpix/s fill rate when 800MHz clock frequency
- Support 38.4GLOPs when 800MHz clock frequency
- 2D Graphics Engine:
  - Data format
    - ◆ Support input of ARGB/RGB888/RGB565/RGB4444/RGB5551/YUV420/YUV422/YUYV;
    - ◆ Support input of YUV422SP10bit/YUV420SP10bit(YUV-8bits out)
    - ◆ Support output of ARGB/RGB888/RGB565/RGB4444/RGB5551/YUV420/YUV422/YUYV;
    - ◆ Pixel Format conversion, BT.601/BT.709
    - ◆ Dither operation, Y dither update;
    - ◆ Max resolution: 8192x8192 source, 4096x4096 destination
  - Scaling
    - ◆ Down-scaling: Average filter
    - ◆ Up-scaling: Bi-cubic filter(source>2048 would use Bi-linear)
    - ◆ Arbitrary non-integer scaling ratio, from 1/16 to 16
  - Rotation
    - ◆ 0, 90, 180, 270 degree rotation
    - ◆ x-mirror, y-mirror& rotation operation
  - BitBLT
    - ◆ Block transfer
    - ◆ Color palette/Color fill, support with alpha
    - ◆ Transparency mode (color keying/stencil test, specified value/value range)
    - ◆ Two source BitBLT:
      - ◆ A+B=B only BitBLT, A support rotate&scale when B fixed
      - ◆ A+B=C second source (B) has same attribute with (C) plus rotation function
  - Alpha Blending
    - ◆ New comprehensive per-pixel alpha(color/alpha channel separately)
    - ◆ Fading
    - ◆ SRC1(R2Y)&&SRC0(YUV)—alpha->DST(YUV)

### 1.2.11 Video input interface

- Interface and video input processor
  - Support up to 16bit DVP interface (digital parallel input)
  - Support MIPI CSI RX interface
  - Support VICAP block(Video Input Processor)
    - ◆ Support video data from DVP
    - ◆ Support video data from MIPI CSI
    - ◆ Support DVP and MIPI CSI simultaneously
  - Support ISP block(Image Signal Processor)
    - ◆ Support video data from DVP
    - ◆ Support video data from MIPI CSI
- DVP Interface
  - Support 8bits/10bits/12bits/16bits input
  - Support up to 150MHz input data
- MIPI CSI RX Interface
  - Compatible with the MIPI Alliance Interface specification v1.2
  - Up to 4 data lanes, 2.5Gbps maximum data rate per lane
  - Support MIPI-HS, MIPI-LP mode
  - Support two mode

- ◆ One interface with 1 clock lane and 4 data lanes
- ◆ Two interface, each with 1 clock lane and 2 data lanes
- VICAP
  - Support BT601 YCbCr 422 8bits input、RAW 8/10/12bits input
  - Support BT656 YCbCr 422 8bits input
  - Support BT1120 YCbCr 422 8/10/12/16bits input, single/dual-edge sampling
  - Support 2/4 mixed BT656/BT1120 YCbCr 422 8bit input
  - Support YUYV sequence configurable
  - Support the polarity of pixel\_clk, hsync and vsync configurable
  - Support receiving CSI2 protocol data(up to four IDs)
  - Support receiving DSI protocol data(Video mode/Command mode)
  - Support window cropping
  - Support virtual stride when write to DDR
  - Support NV16/NV12 output for YUV data
  - Support compact/ non-compact output for RAW data
- ISP
  - DVP input: ITU-R BT601/656/1120 with raw8/raw10/raw12/raw16, YUV422
  - MIPI input: RX data lane x1/x2/x4, raw8/raw10/raw12, YUV422
  - 3A: include AE/Histogram, AF, AWB statistics output
  - FPN: Fixed Pattern Noise removal
  - BLC: Black Level Correction
  - DPCC: Static/Dynamic defect pixel cluster correction
  - LSC: Lens shading correction
  - Bayer-2DNR: Bayer-raw De-noising, 2DNR
  - Bayer-3DNR: Bayer-raw De-noising, 3DNR
  - DRC: 2-Frame Merge Video Tone mapping
  - Debayer: Advanced Adaptive Demosaic with Chromatic Aberration Correction
  - CCM/CSM: Color correction matrix; RGB2YUV etc.
  - Gamma: Gamma out correction
  - Dehaze/Enhance: Automatic Dehaze and edge enhancement
  - 3DLUT: 3D-Lut Color Palette for Customer
  - LDCH: Lens-distortion in the horizontal direction
  - 2DNR: Advanced Spatial Noise reduce in YUV
  - Sharp: Picture Sharpening & Edge Enhance in YUV
  - CGC: Color Gamut Compression, YUV full range/limit range convert
  - Output Scale\*2
  - Maximum resolution is 4096x2304

### 1.2.12 Display interface

- Display interface
  - Support MIPI\_DSI interface
  - Support LVDS interface(Combo with MIPI\_DSI)
  - Support HDMI interface
  - Support eDP interface
  - Support EBC interface
  - Support two simultaneous displays(same source) in the following interfaces®
    - ◆ MIPI\_DSI\_TX
    - ◆ LVDS
    - ◆ HDMI
    - ◆ eDP
- MIPI DSI TX interface
  - Compatible with MIPI Alliance Interface specification v1.2
  - Support 2 channel DSI
  - Support 4 data lanes per channel
  - Support 2.5Gbps maximum data rate per lane

- Up to 1920x1080@60Hz display output for single MIPI mode and 2560\*1440@60Hz for dual-MIPI mode
- Support RGB(up to 8bit) format
- LVDS interface
  - Compliant with the TIA/EIA-644-A LVDS specification
  - Support RGB888 and RGB666 input for LVDS interface
  - Support VESA/JEIDA LVDS data format transfer
- HDMI TX interface
  - Single Physical Layer PHY with support for HDMI1.4 and HDMI2.0 operation
  - For HDMI operation, support for the following:
    - ◆ HPD input analog comparator
    - ◆ 13.5–600MHz input reference clock
    - ◆ Up to 10 bits Deep Color modes
    - ◆ Up to 18Gbps aggregate bandwidth
    - ◆ Up to 1080p@120Hz and 4096x2304@60Hz
    - ◆ 3-D video formats
  - Support RGB/YUV(up to 10bit) format
  - Support HDCP1.4/2.2
- eDP interface
  - Support 1 eDP 1.3 interface
  - Up to 4 physical lanes of 2.7Gbps
  - Supports Panel Self Refresh(PSR)
  - Support up to 2560x1600@60Hz
  - Support RGB(up to 10bit) format

### 1.2.13 Video Output Processor

- Video inputs
  - Support 1 cluster layer
    - ◆ Support up to 4096x2160 input resolution
    - ◆ Support afbcd
    - ◆ Support RGB/YUV/YUYV format
    - ◆ Support scale up/down ratio 4~1/4
    - ◆ Support rotation
  - Support 1 esmart layer
    - ◆ Support up to 4096x2160 input resolution
    - ◆ Support RGB/YUV/YUYV format
    - ◆ Support scale up/down ratio 4~1/4
    - ◆ Support 4 regions
  - Support 1 smart layer
    - ◆ Support up to 4096x2160 input resolution
    - ◆ Support RGB format
    - ◆ Support 4 regions
- Overlay
  - Support MAX 3 layers overlay: 1 Cluster/1 ESMART/1 SMART
  - Support RGB/YUV domain overlay
- Post process
  - HDR
    - ◆ HDR10/HDR HLG
    - ◆ HDR2SDR/SDR2HDR
  - 3D-LUT/P2I/CSC/BCSH/DITHER/CABC/GAMMA/COLORBAR
- Write back
  - Format: ARGB8888/RGB888/RGB565/YUV420
  - Max resolution: 1920x1080
- Video outputs
  - Video output0, up to 4096x2304@60Hz resolution
  - Video output1, up to 2048x1536@60Hz resolution
  - Support dual display with same source, the same screen direction and max 1080P

### 1.2.14 Audio Interface

- I2S0 with 8 channel
  - Up to 8 channels TX and 8 channels RX path
  - Audio resolution from 16bits to 32bits
  - Sample rate up to 192KHz
  - Provides master and slave work mode, software configurable
  - Support 3 I2S formats (normal, left-justified, right-justified)
  - Only for HDMI
- I2S1 with 8 channel
  - Up to 8 channels TX and 8 channels RX path
  - Audio resolution from 16bits to 32bits
  - Sample rate up to 192KHz
  - Provides master and slave work mode, software configurable
  - Support 3 I2S formats (normal, left-justified, right-justified)
  - Support 4 PCM formats (early, late1, late2, late3)
  - I2S and PCM mode cannot be used at the same time
- I2S2/I2S3 with 2 channel
  - Up to 2 channels for TX and 2 channels RX path
  - Audio resolution from 16bits to 32bits
  - Sample rate up to 192KHz
  - Provides master and slave work mode, software configurable
  - Support 3 I2S formats (normal, left-justified, right-justified)
  - Support 4 PCM formats (early, late1, late2, late3)
  - I2S and PCM cannot be used at the same time
- PDM
  - Up to 8 channels
  - Audio resolution from 16bits to 24bits
  - Sample rate up to 192KHz
  - Support PDM master receive mode
- TDM
  - supports up to 8 channels for TX and 8 channels RX path
  - Audio resolution from 16bits to 32bits
  - Sample rate up to 192KHz
  - Provides master and slave work mode, software configurable
  - Support 3 I2S formats (normal, left-justified, right-justified)
  - Support 4 PCM formats (early, late1, late2, late3)
- Digital Audio Codec
  - Support 3 channels digital ADC
  - Support 2 channels digital DAC
  - Support I2S/PCM interface
  - Support I2S/PCM master and slave mode
  - Support 4 channels audio transmitting in I2S mode
  - Support 2 channels audio receiving in I2S mode
  - Support 2 channels audio transmitting or receiving in PCM mode
  - Support 16~24 bits sample resolution for both digital ADC and digital DAC
  - Both digital ADC and digital DAC support three groups of sample rates. Group 0 are 8KHz/16KHz/32KHz/64KHz/128KHz, group 1 are 11.025KHz/22.05KHz/44.1KHz/88.2KHz/176.4KHz and group 2 are 12KHz/24KHz/48KHz/96KHz/192KHz
  - The passband of digital ADC filters is  $0.45625 \cdot f_s$
  - Support digital ADC pass-band ripple within  $\pm 0.1\text{dB}$

- The stop-band of digital ADC filters is  $0.5 \cdot f_s$
  - Support digital ADC stop-band attenuation at least 60dB
  - Support volume control for both digital ADC and digital DAC
  - Support Automatic Level Control (ALC) and noise gate for digital ADC
  - Support communication with Analog Codec through I2C bus
- Voice Activity Detection(VAD)
    - Support read voice data from I2S/PDM
    - Support voice amplitude detection
    - Support Multi-Mic array data storing
    - Support a level combined interrupt

### 1.2.15 Connectivity

- SDIO interface
  - Compatible with SDIO3.0 protocol
  - 4bits data bus widths
- MAC 10/100/1000 Ethernet Controller
  - Support 10/100/1000 Mbps data transfer rates with the RGMII interfaces
  - Support 10/100 Mbps data transfer rates with the RMII interfaces
  - Support both full-duplex and half-duplex operation
  - Supports IEEE 802.1Q VLAN tag detection for reception frames
  - Support detection of LAN wake-up frames and AMD Magic Packet frames
  - Support checking IPv4 header checksum and TCP, UDP, or ICMP checksum encapsulated in IPv4 or IPv6 datagram
  - Support for TCP Segmentation Offload (TSO) and UDP Fragmentation Offload (UFO)
- USB 2.0 OTG
  - Compatible Specification
    - ◆ Universal Serial Bus Specification, Revision 2.0
    - ◆ Extensible Host Controller Interface for Universal Serial Bus (xHCI), Revision 1.1
  - Support Control/Bulk/Interrupt/Isochronous Transfer
- USB 2.0 Host
  - Support two USB2.0 Host
  - Compatible with USB 2.0 specification
  - Supports high-speed(480Mbps), full-speed(12Mbps) and low-speed(1.5Mbps) mode
  - Support Enhanced Host Controller Interface Specification (EHCI), Revision 1.0
  - Support Open Host Controller Interface Specification (OHCI), Revision 1.0a
- Multi-PHY Interface
  - Support three multi-PHYs with PCIe2.1/SATA3.0/USB3.0
  - Up to one USB3 Host controller
  - Up to one PCIe2.1 controller
  - Up to two SATA controller
  - Multi-PHY1 support one of the following interfaces
    - ◆ USB3.0 Host
    - ◆ SATA1
  - Multi-PHY2 support one of the following interfaces
    - ◆ PCIe2.1
    - ◆ SATA2
  - USB 3.0 xHCI Host Controller
    - ◆ Support 1 USB2.0 port and 1 Super-Speed port
    - ◆ Concurrent USB3.0/USB2.0 traffic, up to 8.48Gbps bandwidth
    - ◆ Support standard or open-source xHCI and class driver
  - PCIe2.1 interface
    - ◆ Compatible with PCI Express Base Specification Revision 3.0
    - ◆ Support Root Complex(RC) mode



- ◆ Support 2.5Gbps and 5.0Gbps serial data transmission rate per lane per direction
- ◆ Support one lane
- SATA interface
  - ◆ Compatible with Serial ATA 3.3 and AHCI Revision 1.3.1
  - ◆ Support eSATA
  - ◆ Support 1.5Gb/s, 3.0Gb/s, 6.0Gb/s
  - ◆ Support 3 SATA controller
- SPI interface
  - Support four SPI Controller
  - Support one chip-select output and the other support two chip-select output
  - Support serial-master and serial-slave mode, software-configurable
- I2C interface
  - Support six I2C interface
  - Support 7bits and 10bits address mode
  - Software programmable clock frequency
  - Data on the I2C-bus can be transferred at rates of up to 100Kbit/s in the Standard-mode, up to 400Kbit/s in the Fast-mode or up to 1 Mbit/s in Fast-mode Plus.
- UART Controller
  - Support ten UART interfaces
  - Embedded two 64-byte FIFO for TX and RX operation respectively
  - Support 5bits,6bits,7bits,8bits serial data transmit or receive
  - Standard asynchronous communication bits such as start, stop and parity
  - Support different input clock for UART operation to get up to 4Mbps baud rate
  - Support auto flow control mode for UART0/UART1/UART3/UART4/UART5
- PWM
  - Sixteen on-chip PWMs(PWM0~PWM15) with interrupt-based operation
  - Programmable pre-scaled operation to bus clock and then further scaled
  - Embedded 32bits timer/counter facility
  - Support capture mode
  - Support continuous mode or one-shot mode
  - Provides reference mode and output various duty-cycle waveform
  - Optimized for IR application for PWM3,PWM7,PWM11 and PWM15
- Smart Card
  - Support ISO-7816
  - support card activation and deactivation
  - support cold/warm reset
  - support Answer to Reset(ATR) response reception
  - support T0 for asynchronous half-duplex character transmission
  - support T1 for asynchronous half-duplex block transmission
  - support automatic operating voltage class selection
  - support adjustable clock rate and bit (baud) rate
  - support configurable automatic byte repetition

### **1.2.16 Others**

- Multiple group of GPIO
  - All of GPIOs can be used to generate interrupt to CPU
  - Support level trigger and edge trigger interrupt
  - Support configurable polarity of level trigger interrupt
  - Support configurable rising edge, falling edge and both edge trigger interrupt
- Temperature Sensor(TSADC)

- Up to 50KS/s sampling rate
- Support two temperature sensor
- -20~120°C temperature range and 5°C temperature resolution
- Support two channels
  
- Successive Approximation ADC (SARADC)
  - 10bits resolution
  - Up to 1MS/s sampling rate
  - 4 single-ended input channels
  
- OTP
  - Support 8K bits Size, 7K bits for secure application
  - Support Program/Read/Idle mode
  
- Package Type
  - FCCSP565L (body: 15.5mm x 14.4mm; ball size: 0.3mm; ball pitch: 0.65&0.4mm)

**Notes:**

① DDR3/DDR3L/DDR4/LPDDR3/LPDDR4/LPDDR4X are not used simultaneously

② LVDS interface can not be used when dual-mipi mode enable

### 1.3 Block Diagram

The following diagram shows the basic block diagram.

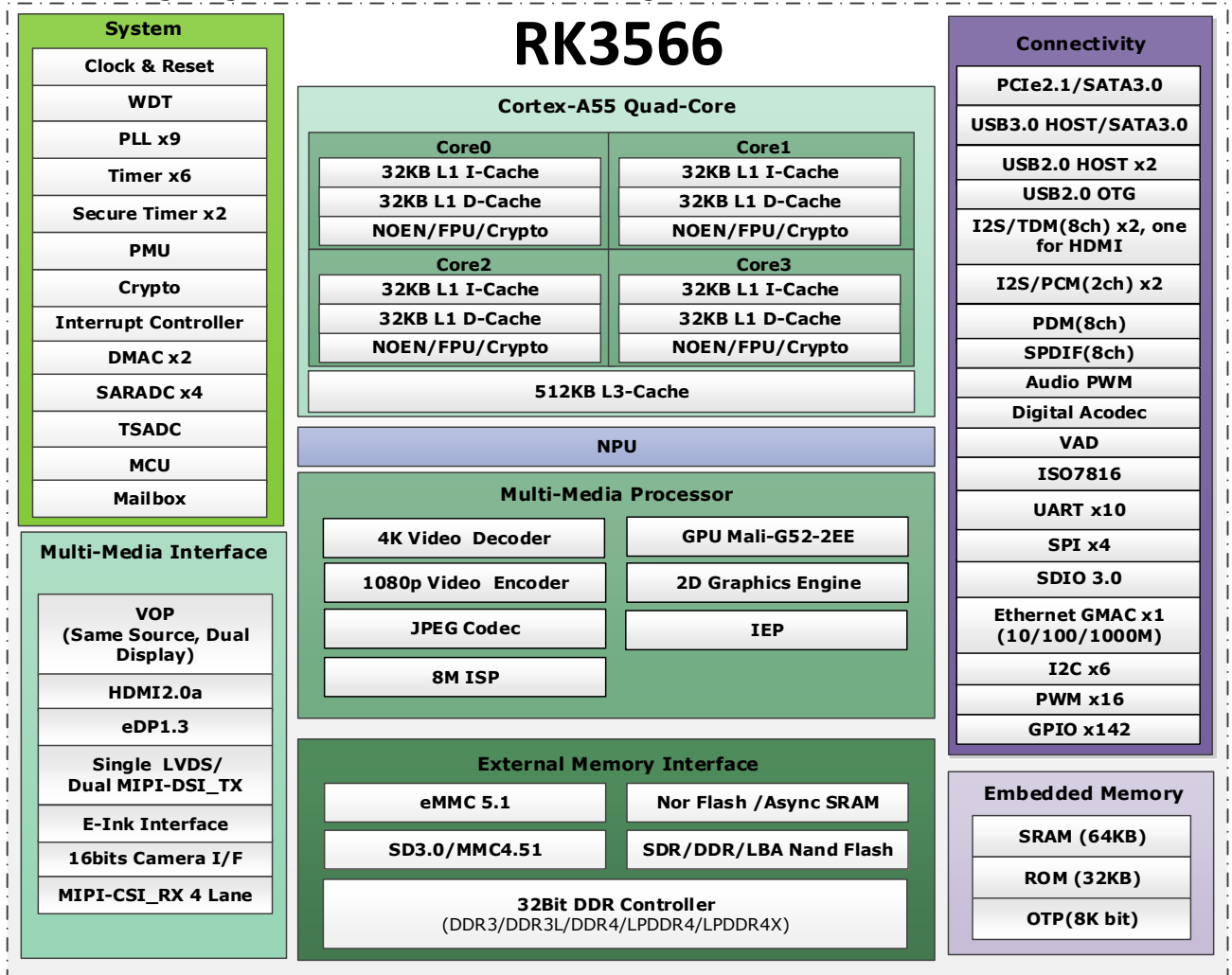


Fig.1-1 Block Diagram

## Chapter 2 Package Information

### 2.1 Order Information

Orderable Device	RoHS status	Package	Package QTY	Device Feature
RK3566	RoHS	FCCSP565L	960pcs	Quad core application processor
RK3566-D	RoHS	FCCSP565L	960pcs	Quad core application processor with Dolby

### 2.2 Top Marking

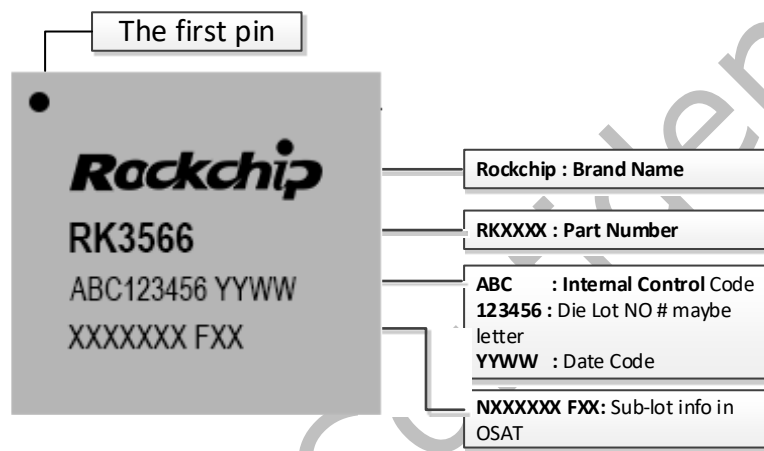
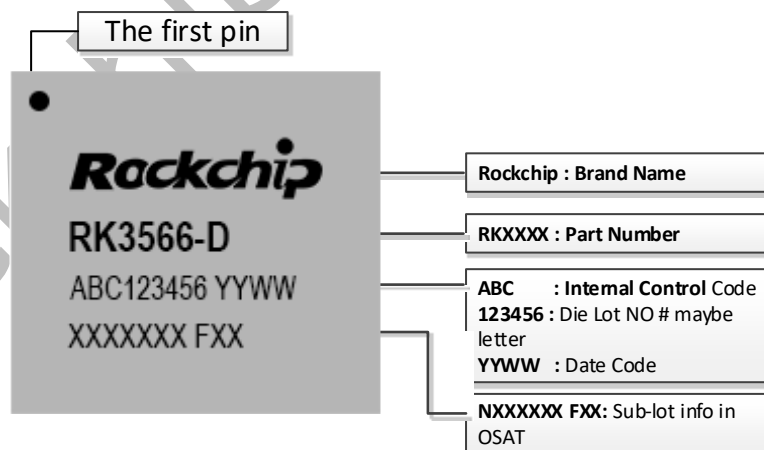


Fig.2-1 Package definition



### 2.3 FCCSP565L Dimension

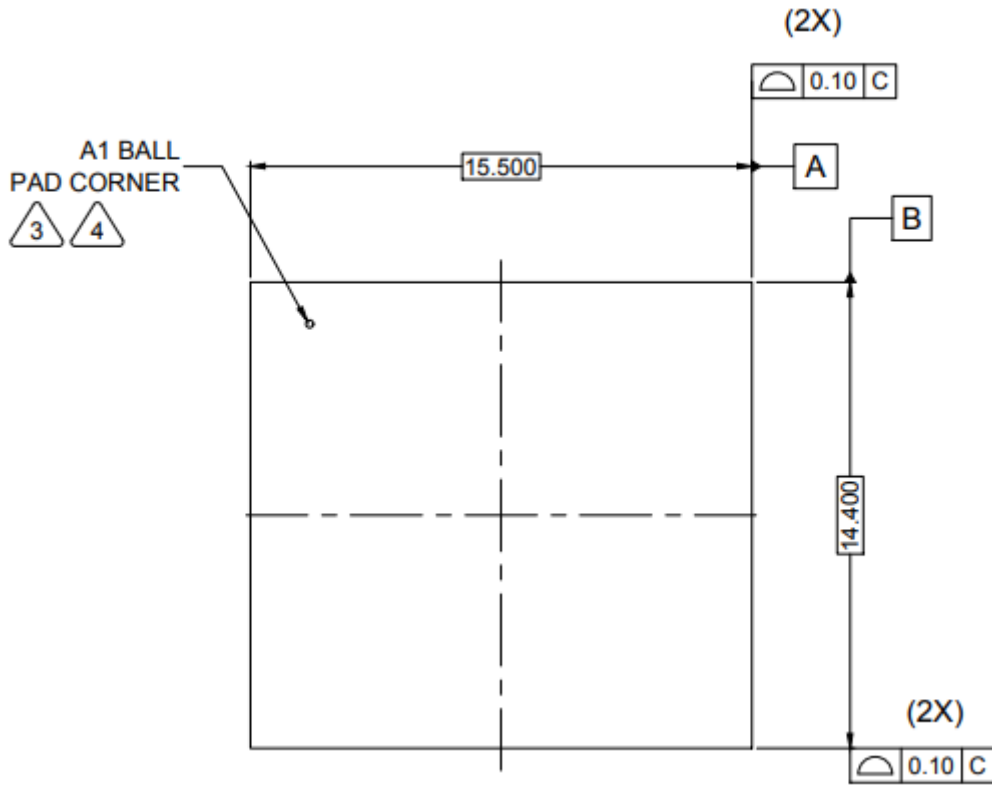


Fig.2-2 Package Top View

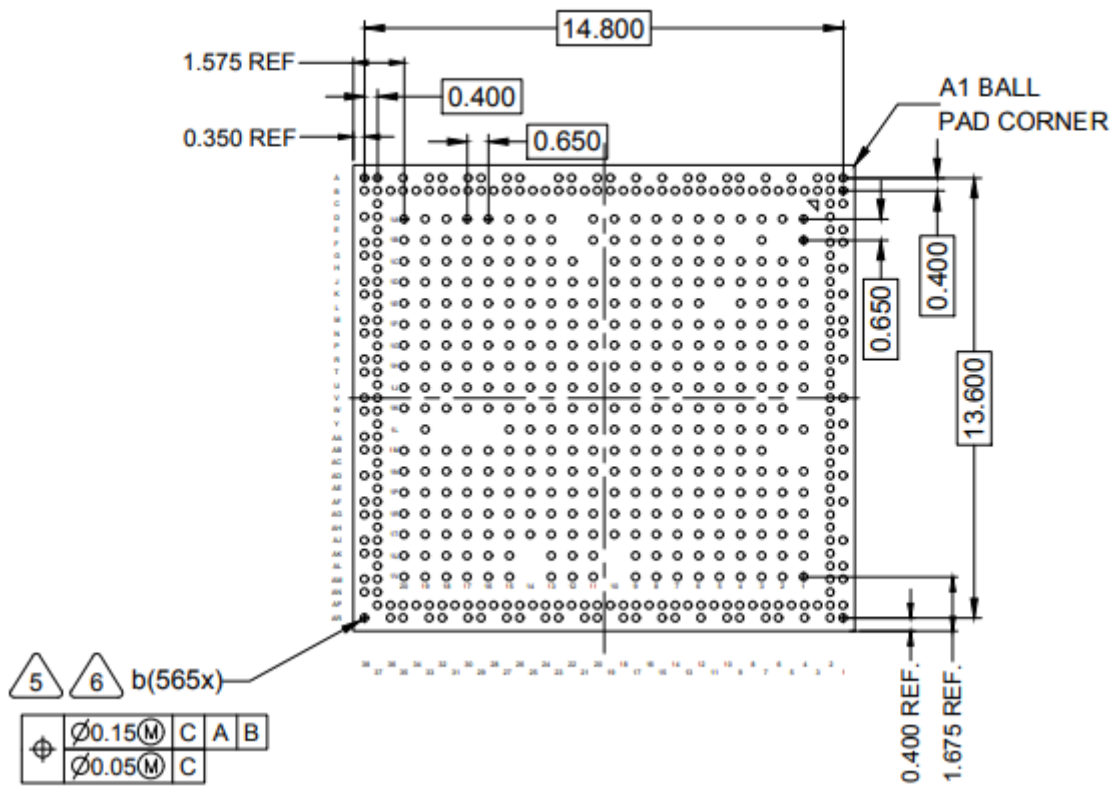


Fig.2-3 Package bottom view

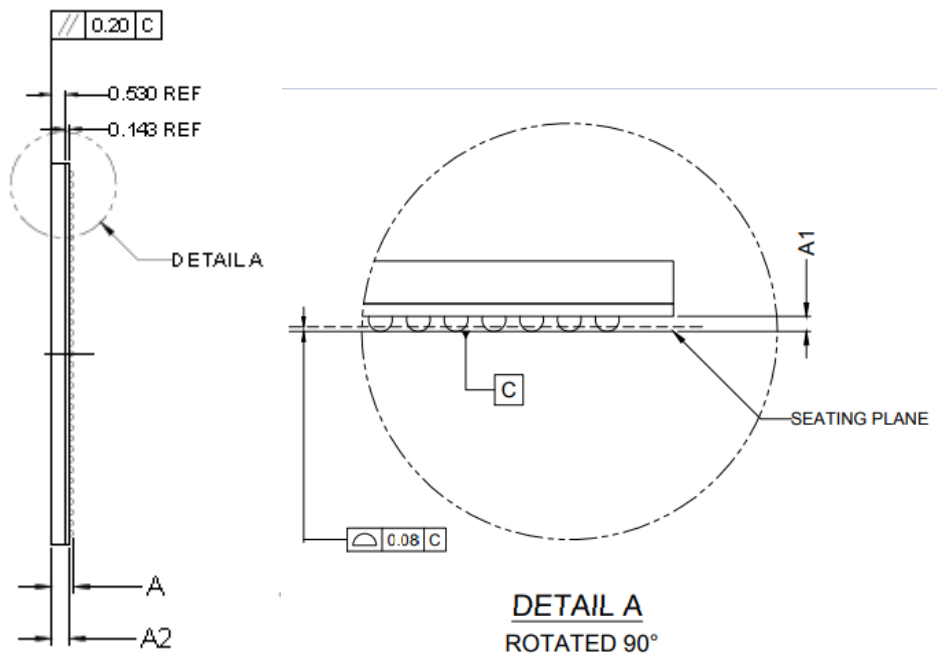


Fig.2-4 Package side view

DIMENSION	MINIMUM	NOMINAL	MAXIMUM
A	0.762	0.833	0.904
A1	0.120	0.160	0.200
A2	0.593	0.673	0.731
b	0.200	0.250	0.300

Fig.2-5 Package dimension

## 2.4 Ball Map

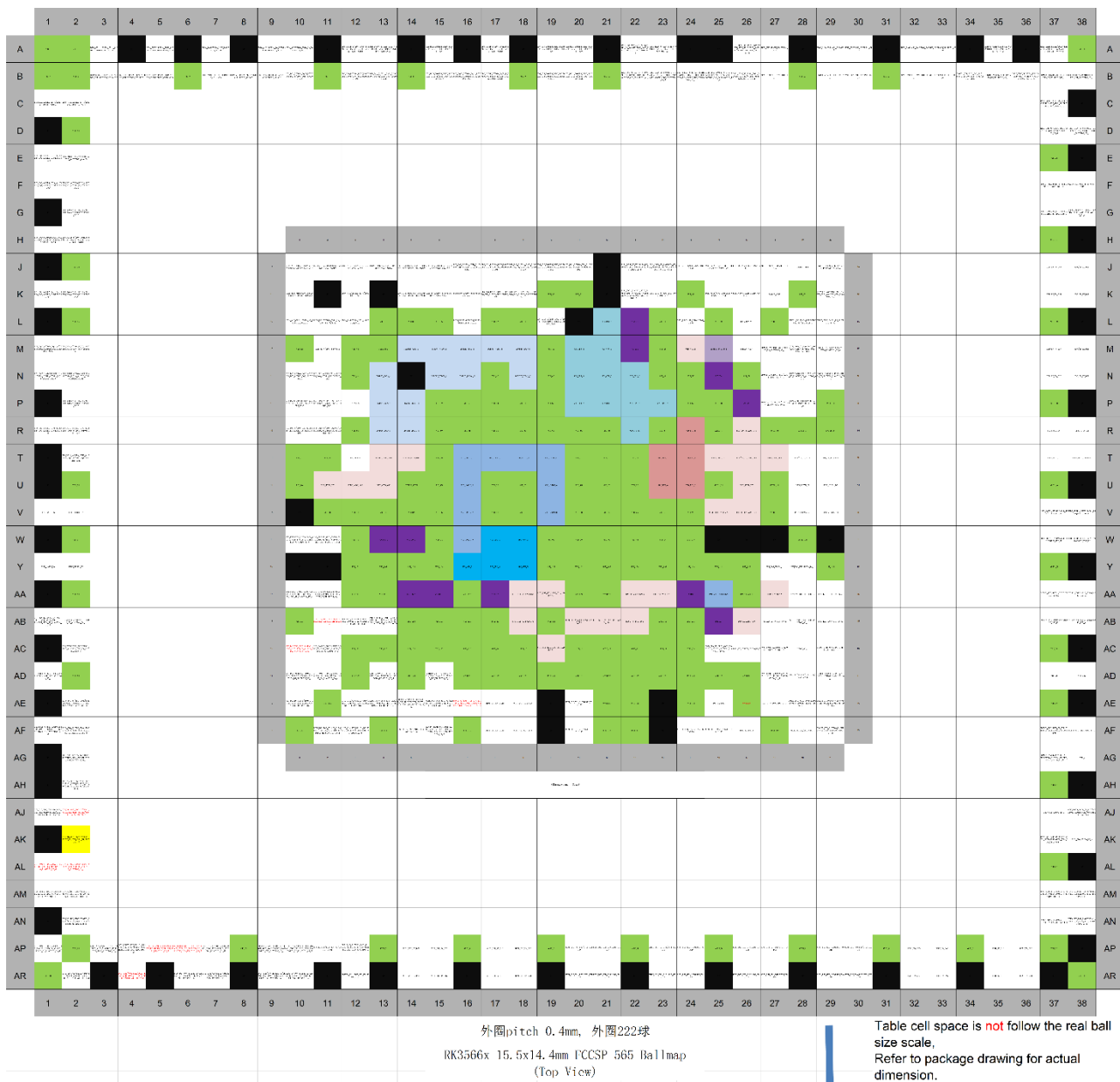


Fig.2-6 Ball Map

## 2.5 Pin Number List

Table 2-1 Pin Number List Information

Pin Name	PIN	Pin Name	PIN
DDR4_A16_RASn/LPDDR4_A5_A/DDR3_RASn/LPDDR3_A7/AC16	1A1	PWM0_M0/CPUAVS/GPIO0_B7_d	1R17
DDR4_ACTn/LPDDR4_CKE1_B/DDR3_CASn/-/AC17	1A2	PWM2_M0/NPUAVS/UART0_TX/MCU_JTAG_TDI/GPIO0_C1_d	1R18
DDR4_A10/LPDDR4_CKE0_B/DDR3_A10/-/AC10	1A3	GPIO0_A3_u	1R19
DDR4_BG0/LPDDR4_ODT1_CA_B/DDR3_WEn/-/AC20	1A4	TSADC_SHUT_M0/TSADC_SHUT_ORG/GPIO0_A1_z	1R20
DDR4_ODT0/LPDDR4_CS1n_B/DDR3_ODT0/LPDDR3_CS1n/AC27	1A5	CIF_D7/EBC_SDD07/SDMMC2_PWREN_M0/I2S1_SD13_M1/VOP_BT656_D7_M1/GPIO3_D5_d	1T1
DDR4_BA1/LPDDR4_A4_B/DDR3_A12/LPDDR3_A4/AC19	1A6	CIF_D0/EBC_SDD00/SDMMC2_D0_M0/I2S1_MCLK_M1/VOP_BT656_D0_M1/GPIO3_C6_d	1T2
DDR_DQ3_B/DDR4_DQU1_B/LPDDR4_DQ3_B/DDR3_DQ19/LPDDR3_DQ4	1A7	VSS_127	1T3
DDR_DQ2_B/DDR4_DQU3_B/LPDDR4_DQ2_B/DDR3_DQ18/LPDDR3_DQ6	1A8	VOP_BT1120_D11/GMAC1_TXD0_M0/I2C3_SCL_M1/PWM10_M0/GPIO3_B5_d	1T4

Pin Name	PIN	Pin Name	PIN
DDR_DQ7_B/DDR4_DQU2_B/LPDDR4_DQ7_B/DDR3_DQ23/LPDDR3_DQ0	1A9	VSS_128	1T5
DDR_DQ5_B/DDR4_DQU6_B/LPDDR4_DQ5_B/DDR3_DQ21/LPDDR3_DQ3	1A10	PWM13_M1/SPI3_CS0_M1/SATA0_ACT_LED/UART9_RX_M1/I2S3_SDI_M1/GPIO4_C6_d	1T6
DDR_DM1_B/DDR4_DML_B/LPDDR4_DM1_B/DDR3_DM3/LPDDR3_DM2	1A11	AVSS_21	1T7
I2S1_SCLK_RX_M0/UART4_RX_M0/PDM_CLK1_M0/SPDIF_TX_M0/GPIO1_A4_d	1A13	AVSS_22	1T8
I2S1_LRCK_RX_M0/UART4_TX_M0/PDM_CLK0_M0/AUDIOPWM_ROUT_P/GPIO1_A6_d	1A14	AVSS_23	1T9
FSPI_CLK/FLASH_ALE/GPIO1_D0_d	1A15	AVSS_24	1T10
EMMC_DATA_STROBE/FSPI_CS1n/FLASH_CLE/GPIO1_C6_d	1A16	AVSS_25	1T11
FSPI_D0/FLASH_RDY/GPIO1_D1_u	1A17	AVSS_26	1T12
FSPI_D1/FLASH_RDn/GPIO1_D2_u	1A18	AVSS_27	1T13
SARADC_VIN3	1A19	AVSS_28	1T14
SDMMC1_D3/UART7_TX_M0/GPIO2_A6_u	1A20	AVSS_29	1T15
DDR4_A14_WEn/LPDDR4_A4_A/DDR3_A15/LPDDR3_A5/AC14	1B1	AVSS_30	1T16
DDR4_A12/LPDDR4_A3_A/DDR3_BA2/-/AC12	1B3	AVSS_31	1T17
DDR4_ODT1/LPDDR4_CS0n_B/DDR3_CS0n/LPDDR3_CS0n/AC28	1B5	PWM7_IR/SPI0_CS0_M0/GPIO0_C6_d	1T18
DDR4_A4/LPDDR4_A3_B/DDR3_BA1/LPDDR3_A3/AC4	1B6	PWM1_M0/GPUAVS/UART0_RX/GPIO0_C0_d	1T19
DDR4_BA0/LPDDR4_A2_B/DDR3_A1/-/AC18	1B7	CLK32K_IN/CLK32K_OUT0/GPIO0_B0_u	1T20
DDR_DM0_B/DDR4_DMU_B/LPDDR4_DM0_B/DDR3_DM2/LPDDR3_DM0	1B8	CIF_D1/EBC_SDD01/SDMMC2_D1_M0/I2S1_SCLK_TX_M1/VOP_BT656_D1_M1/GPIO3_C7_d	1U1
DDR_DQ6_B/DDR4_DQU4_B/LPDDR4_DQ6_B/DDR3_DQ22/LPDDR3_DQ7	1B9	VSS_129	1U2
VSS_30	1B10	VOP_BT1120_D10/GMAC1_RXER_M0/I2C5_SDA_M0/PDM_SDI1_M2/GPIO3_B4_d	1U3
VSS_31	1B11	VOP_BT1120_CLK/GMAC1_TXCLK_M0/I2S3_SDI_M0/SDMMC2_CLK_M1/GPIO3_A6_d	1U4
I2S1_SDO1_M0/I2S1_SDI3_M0/PDM_SDI3_M0/PCIE20_CLKREQn_M2/GPIO1_B0_d	1B13	VOP_BT1120_D0/SPI1_CS0_M1/SDMMC2_D0_M1/GPIO3_A1_d	1U5
I2S1_SDI0_M0/PDM_SDI0_M0/GPIO1_B3_d	1B14	PWM12_M1/SPI3_MISO_M1/SATA1_ACT_LED/UART9_TX_M1/I2S3_SDO_M1/GPIO4_C5_d	1U6
VSS_32	1B15	PWM14_M1/SPI3_CLK_M1/I2S3_MCLK_M1/GPIO4_C2_d	1U7
EMMC_RSTn/FSPI_D2/FLASH_WPn/GPIO1_C7_d	1B16	MIPI_CSI_RX_CLK1N	1U8
FSPI_CS0n/FLASH_CS0n/GPIO1_D3_u	1B17	MIPI_CSI_RX_CLK0N	1U9
SARADC_VIN2	1B18	MIPI_DSI_TX1_CLKN	1U11
VSS_33	1B19	AVSS_32	1U12
I2S2_SDO_M0/UART9_CTSn_M0/SPI2_CS0_M0/GPIO2_C4_d	1B20	AVSS_33	1U13
DDR4_A15_CASn/LPDDR4_A2_A/DDR3_A0/-/AC15	1C1	AVSS_34	1U15
DDR4_BG1/LPDDR4_ODT1_CA_A/DDR3_BA0/-/AC21	1C2	HDMI_TX_REXT	1U16
DDR4_A3/LPDDR4_CKE1_A/DDR3_A3/-/AC3	1C3	AVSS_35	1U17
VSS_34	1C4	UART2_TX_M0/GPIO0_D1_u	1U18
VSS_35	1C5	PWM6/SPI0_MISO_M0/GPIO0_C5_d	1U19
VSS_36	1C6	I2C2_SCL_M0/SPI0_CLK_M0/PCIE20_WAKEn_M0/PWM1_M1/GPIO0_B5_u	1U20
DDR4_RESETh/LPDDR4_RESETh/DDR3_RESETh/AC29	1C7	VSS_130	1V1
VSS_37	1C8	VOP_BT1120_D12/GMAC1_TXD1_M0/I2C3_SDA_M1/PWM11_IR_M0/GPIO3_B6_d	1V2
VSS_38	1C9	VOP_BT1120_D5/GMAC1_RXCLK_M0/SDMMC2_DET_M1/GPIO3_A7_d	1V3
DDR_DQ14_B/DDR4_DQL1_B/LPDDR4_DQ14_B/DDR3_DQ30/LPDDR3_DQ20	1C10	VSS_131	1V4
VDD_CPU_1	1C12	HDMITX_CEC_M0/SPI3_CS1_M1/GPIO4_D1_u	1V5
VCCIO2	1C13	EDP_HPDI_N_M0/SPDIF_TX_M2/SATA2_ACT_LED/I2S3_LRCK_M1/GPIO4_C4_d	1V6
VSS_39	1C14	AVSS_36	1V7
FSPI_D3/FLASH_CS1n/GPIO1_D4_u	1C15	MIPI_CSI_RX_CLK1P	1V8
VSS_40	1C16	MIPI_CSI_RX_CLK0P	1V9
SARADC_VIN1	1C17	MIPI_DSI_TX1_CLKP	1V11
VSS_41	1C18	AVSS_37	1V12



Pin Name	PIN	Pin Name	PIN
SDMMC1_D0/UART6_RX_M0/GPIO2_A3_u	1C19	AVSS_38	1V13
UART1_RX_M0/GPIO2_B3_u	1C20	MIPI_DSI_TX0_CLKN/LVDS_TX0_CLKN	1V15
VSS_42	1D1	MIPI_DSI_TX0_CLKP/LVDS_TX0_CLKP	1V16
DDR4_A1/-/DDR3_A2/-/AC1	1D2	HDMI_TX_HPDI	1V17
VSS_43	1D3	AVSS_39	1V18
DDR_AVSS	1D4	UART2_RX_M0/GPIO0_D0_u	1V19
DDRPHY_VDDQ_1	1D5	HDMITX_CEC_M1/PWM0_M1/UART0_CTSn/GPIO0_C7_d	1V20
DDRPHY_VDDQ_2	1D6	VSS_1	A1
DDRPHY_VDDQ_3	1D7	VSS_2	A2
DDRPHY_VDDQ_4	1D8	DDR4_CS1n/LPDDR4_CS1n_A/DDR3_CS1n/LPDDR3_ODT1/AC26	A3
DDRPHY_VDDQ_5	1D9	DDR4_CLKP/LPDDR4_CLKP_A/DDR3_CLKP/LPDDR3_CLKP/AC23	A5
VSS_44	1D10	DDR4_A0/LPDDR4_CLKP_B/DDR3_A9/-/AC0	A7
VDD_CPU_2	1D11	DDR4_A13/LPDDR4_A0_B/DDR3_A14/LPDDR3_A0/AC13	A9
VDD_CPU_3	1D12	DDR4_A7/LPDDR4_ODT0_CA_B/DDR3_A8/-/AC7	A10
VCCIO1	1D13	DDR_DQS0N_B/DDR4_DQSU_N_B/LPDDR4_DQS0N_B/DDR3_DQS2N/LPDDR3_DQS0N	A12
VSS_45	1D14	DDR_DQS0P_B/DDR4_DQSU_P_B/LPDDR4_DQS0P_B/DDR3_DQS2P/LPDDR3_DQS0P	A13
OTP_VCC18	1D15	DDR_DQ12_B/DDR4_DQL7_B/LPDDR4_DQ12_B/DDR3_DQ28/LPDDR3_DQ16	A15
SARADC_AVDD_1V8	1D16	DDR_DQS1P_B/DDR4_DQSL_P_B/LPDDR4_DQS1P_B/DDR3_DQS3P/LPDDR3_DQS2P	A17
SARADC_VIN0	1D17	DDR_DQ9_B/DDR4_DQL2_B/LPDDR4_DQ9_B/DDR3_DQ25/LPDDR3_DQ19	A19
SDMMC1_D2/UART7_RX_M0/GPIO2_A5_u	1D18	DDR_DQ10_B/DDR4_DQL4_B/LPDDR4_DQ10_B/DDR3_DQ26/LPDDR3_DQ22	A20
I2S2_LRCK_TX_M0/UART9_RTsn_M0/SPI2_M0_SI_M0/GPIO2_C3_d	1D19	I2C3_SDA_M0/UART3_RX_M0/AUDIOPWM_LOUT_P/GPIO1_A0_u	A22
SDMMC0_D2/ARM_JTAG_TCK/UART5_CTSn_M0/GPIO1_D7_u	1D20	I2S1_MCLK_M0/UART3_RTsn_M0/SCR_CLK/GPIO1_A2_d	A23
DDR_DQ7_A/DDR4_DQL1_A/LPDDR4_DQ7_A/DDR3_DQ7/LPDDR3_DQ11	1E1	I2S1_SDO2_M0/I2S1_SDI2_M0/PDM_SDI2_M0/P_CIE20_WAKEn_M2/GPIO1_B1_d	A26
DDR_DM0_A/DDR4_DML_A/LPDDR4_DM0_A/DDR3_DM0/LPDDR3_DM1	1E2	EMMC_CMD/FLASH_WRn/GPIO1_C4_u	A27
VSS_46	1E3	EMMC_CLKOUT/FLASH_DQS/GPIO1_C5_d	A29
DDRPHY_VDDQ_6	1E4	EMMC_D5/FLASH_D5/GPIO1_C1_u	A30
DDRPHY_VDDQL_1	1E6	EMMC_D0/FLASH_D0/GPIO1_B4_u	A32
DDRPHY_VDDQL_2	1E7	EMMC_D7/FLASH_D7/GPIO1_C3_u	A33
VSS_47	1E8	SDMMC1_PWREN/I2C4_SDA_M1/UART8_RTsn_M0/GPIO2_B1_d	A35
DDRPHY_VDDQL_3	1E9	I2S2_LRCK_RX_M0/UART6_CTSn_M0/SPI1_CS0_M0/GPIO2_C0_d	A37
VSS_48	1E10	VSS_3	A38
VDD_CPU_4	1E11	VSS_18	AA2
VDD_CPU_5	1E12	PCIE20_TXP/SATA2_TXP	AA37
VDD_CPU_6	1E13	PCIE20_TXN/SATA2_TXN	AA38
VSS_49	1E14	CIF_CLKIN/EBC_SDCLK/GMAC1_MCLKINOUT_M1/UART1_CTSn_M1/I2S2_SCLK_RX_M1/GPIO4_C1_d	AB1
VSS_50	1E15	CIF_CLKOUT/EBC_GDCLK/PWM11_IR_M1/GPIO4_C0_d	AB2
VCCIO4	1E16	PCIE20_RXP/SATA2_RXP	AB37
VSS_51	1E17	PCIE20_RXN/SATA2_RXN	AB38
SDMMC1_D1/UART6_TX_M0/GPIO2_A4_u	1E18	CIF_VSYNC/EBC_SDOE/GMAC1_MDIO_M1/I2S2_SCLK_TX_M1/GPIO4_B7_d	AC2
SDMMC0_CMD/PWM10_M1/UART5_RX_M0/GPIO2_A1_u	1E19	VSS_24	AC37
SDMMC0_D0/UART2_TX_M1/UART6_TX_M1/PWM8_M1/GPIO1_D5_u	1E20	I2C2_SCL_M1/EBC_SDSHR/I2S1_SDO3_M1/GPIO4_B5_d	AD1
DDR_DQ14_A/DDR4_DQU6_A/LPDDR4_DQ14_A/DDR3_DQ14/LPDDR3_DQ30	1F1	VSS_19	AD2
DDR_DQ13_A/DDR4_DQU4_A/LPDDR4_DQ13_A/DDR3_DQ13/LPDDR3_DQ31	1F2	XIN24M	AD37
DDR_RZQ	1F3	XOUT24M	AD38
DDRPHY_VDDQ_7	1F4	I2C4_SCL_M0/EBC_GDOE/ETH1_REFCLKO_25M_M1/SPI3_CLK_M0/I2S2_SDO_M1/GPIO4_B3_d	AE2
DDRPHY_VDDQL_4	1F5	VSS_25	AE37

Pin Name	PIN	Pin Name	PIN
VSS_52	1F6	I2C2_SDA_M1/EBC_GDSP/ISP_FLASH_TRIGIN/VOP_BT656_CLK_M1/GPIO4_B4_d	AF1
VSS_53	1F7	I2C4_SDA_M0/EBC_VCOM/GMAC1_RXER_M1/SPI3_MOSI_M0/I2S2_SDI_M1/GPIO4_B2_d	AF2
VSS_54	1F8	SDMMC0_DET/SATA_CP_DET/GPIO0_A4_u	AF37
VSS_55	1F9	FLASH_VOL_SEL/GPIO0_A7_u	AF38
VSS_56	1F10	ISP_PRELIGHT_TRIG/EBC_SDCE3/GMAC1_RXDV_CRS_M1/I2S1_SDO2_M1/GPIO4_B1_d	AG2
VDD_CPU_7	1F11	SDMMC0_PWREN/SATA_MP_SWITCH/PCIE20_CLKREQn_M0/GPIO0_A5_d	AG37
VDD_CPU_8	1F12	nPOR_u	AG38
VDD_CPU_9	1F13	ISP_FLASHTRIGOUT/EBC_SDCE0/GMAC1_TXEN_M1/SPI3_CS0_M0/I2S1_SCLK_RX_M1/GPIO4_A6_d	AH2
VDD_CPU_10	1F14	VSS_26	AH37
VSS_57	1F15	CIF_D15/EBC_SDDO15/GMAC1_TXD1_M1/UART9_RX_M2/I2S2_LRCK_RX_M1/GPIO4_A5_d	AJ1
VSS_58	1F16	CIF_D13/EBC_SDDO13/GMAC1_RXCLK_M1/UART7_RX_M2/PDM_SDI3_M1/GPIO4_A3_d	AJ2
VCCIO3	1F17	I2C0_SCL/GPIO0_B1_u	AJ37
SDMMC0_D3/ARM_JTAG_TMS/UART5_RTsn_M0/GPIO2_A0_u	1F18	GPU_PWREN/SATA_CP_POD/GPIO0_A6_d	AJ38
SDMMC0_D1/UART2_RX_M1/UART6_RX_M1/PWM9_M1/GPIO1_D6_u	1F19	CIF_D10/EBC_SDDO10/GMAC1_TXCLK_M1/PDM_CLK1_M1/GPIO4_A0_d	AK2
AVSS1_6	1F20	I2C1_SCL/MCU_JTAG_TDO/GPIO0_B3_u	AK37
DDR_DM1_A/DDR4_DMU_A/LPDDR4_DM1_A/DDR3_DM1/LPDDR3_DM3	1G1	I2C0_SDA/GPIO0_B2_u	AK38
DDR_DQ15_A/DDR4_DQU0_A/LPDDR4_DQ15_A/DDR3_DQ15/LPDDR3_DQ27	1G2	CIF_D9/EBC_SDDO9/GMAC1_TXD3_M1/UART1_RX_M1/PDM_SDI0_M1/GPIO3_D7_d	AL1
VSS_59	1G3	CIF_D8/EBC_SDDO8/GMAC1_TXD2_M1/UART1_TX_M1/PDM_CLK0_M1/GPIO3_D6_d	AL2
DDRRPHY_VDDQ_8	1G4	VSS_27	AL37
DDRRPHY_VDDQL_5	1G5	CIF_D5/EBC_SDDO5/SDMMC2_CLK_M0/I2S1_SDI1_M1/VOP_BT656_D5_M1/GPIO3_D3_d	AM1
VSS_60	1G6	CIF_D4/EBC_SDDO4/SDMMC2_CMD_M0/I2S1_SDI0_M1/VOP_BT656_D4_M1/GPIO3_D2_d	AM2
VSS_61	1G7	PWM3_IR/EDP_HPDI_M1/MCU_JTAG_TMS/GPIO0_C2_d	AM37
VSS_62	1G8	I2C1_SDA/PCIE20_BUTTONRSTn/MCU_JTAG_TCK/GPIO0_B4_u	AM38
VSS_63	1G9	CIF_D3/EBC_SDDO3/SDMMC2_D3_M0/I2S1_SDO0_M1/VOP_BT656_D3_M1/GPIO3_D1_d	AN2
VSS_64	1G10	PWM5/SPI0_CS1_M0/UART0_RTsn/GPIO0_C4_d	AN37
VSS_65	1G11	PWM4/VOP_PWM_M0/MCU_JTAG_TRSTn/GPIO0_C3_d	AN38
VSS_66	1G12	CIF_D2/EBC_SDDO2/SDMMC2_D2_M0/I2S1_LRC_K_TX_M1/VOP_BT656_D2_M1/GPIO3_D0_d	AP1
VDD_CPU_11	1G13	VSS_20	AP2
VSS_67	1G14	VOP_BT1120_D14/SPI1_MISO_M1/UART5_TX_M1/I2S1_SDO3_M2/GPIO3_C2_d	AP3
VDD_NPU_1	1G15	VOP_BT1120_D13/SPI1_MOSI_M1/PCIE20_PERS_Tn_M1/I2S1_SDO2_M2/GPIO3_C1_d	AP4
AVSS1_7	1G16	PWM12_M0/GMAC1_TXEN_M0/UART3_TX_M1/PDM_SDI2_M2/GPIO3_B7_d	AP5
EDP_TX_AVDD_1V8	1G17	VOP_BT1120_D9/GMAC1_RXDV_CRS_M0/I2C5_SCL_M0/PDM_SDI0_M2/GPIO3_B3_d	AP6
AVSS1_8	1G18	VOP_BT1120_D7/GMAC1_RXD0_M0/UART4_RX_M1/PWM8_M0/GPIO3_B1_d	AP7
AVSS1_9	1G19	VSS_22	AP8
AVSS1_10	1G20	VOP_BT1120_D4/GMAC1_RXD3_M0/I2S3_SDO_M0/SDMMC2_CMD_M1/GPIO3_A5_d	AP9
VSS_68	1H1	VOP_BT1120_D2/GMAC1_TXD3_M0/I2S3_SCLK_M0/SDMMC2_D2_M1/GPIO3_A3_d	AP10
VSS_69	1H2	HDMITX_SDA/I2C5_SDA_M1/GPIO4_D0_u	AP11
DDR_VREFOUT	1H3	PWM15_IR_M1/SPI3_MOSI_M1/I2S3_SCLK_M1/GPIO4_C3_d	AP12
SYSPLL_AVDD_1V8	1H4	AVSS_1	AP13
SYSPLL_AVDD_0V9	1H5	MIPI_CSI_RX_D3N	AP14
VSS_70	1H6	MIPI_CSI_RX_D2P	AP15
VDD_LOGIC_1	1H7	AVSS_2	AP16
VDD_LOGIC_2	1H8	MIPI_CSI_RX_D1N	AP17
VDD_LOGIC_3	1H9	MIPI_CSI_RX_D0P	AP18

Pin Name	PIN	Pin Name	PIN
VDD_LOGIC_4	1H10	AVSS_3	AP19
VSS_71	1H11	MIPI_DSI_TX1_D3N	AP20
VSS_72	1H12	MIPI_DSI_TX1_D2P	AP21
VSS_73	1H13	AVSS_4	AP22
VDD_NPU_2	1H14	MIPI_DSI_TX1_D1N	AP23
VDD_NPU_3	1H15	MIPI_DSI_TX1_D0P	AP24
USB_AVDD1_1V8	1H16	AVSS_5	AP25
EDP_TX_AVDD_0V9	1H17	MIPI_DSI_TX0_D3N/LVDS_TX0_D3N	AP26
USB_AVDD1_3V3	1H18	MIPI_DSI_TX0_D2P/LVDS_TX0_D2P	AP27
EDP_TX_AUXP	1H19	AVSS_6	AP28
EDP_TX_AUXN	1H20	MIPI_DSI_TX0_D1N/LVDS_TX0_D1N	AP29
VSS_74	1J1	MIPI_DSI_TX0_D0P/LVDS_TX0_D0P	AP30
USB_AVDD2_3V3	1J2	AVSS_7	AP31
USB_AVDD2_1V8	1J3	HDMI_TX_CLKN	AP32
USB_AVDD2_0V9	1J4	HDMI_TX_D0P	AP33
SYSPLL_AVSS	1J5	AVSS_8	AP34
VSS_75	1J6	HDMI_TX_D1N	AP35
VDD_LOGIC_5	1J7	HDMI_TX_D2P	AP36
VSS_76	1J8	VSS_28	AP37
VSS_77	1J9	VSS_21	AR1
VDD_LOGIC_6	1J10	VOP_BT1120_D15/SPI1_CLK_M1/UART5_RX_M1/I2S1_SCLK_RX_M2/GPIO3_C3_d	AR2
VSS_78	1J11	PWM13_M0/GMAC1_MCLKINOUT_M0/UART3_RX_M1/PDM_SDI3_M2/GPIO3_C0_d	AR4
VSS_79	1J12	VOP_BT1120_D8/GMAC1_RXD1_M0/UART4_TX_M1/PWM9_M0/GPIO3_B2_d	AR6
VSS_80	1J13	VOP_BT1120_D6/ETH1_REFCLKO_25M_M0/SDM_MC2_PWREN_M1/GPIO3_B0_d	AR7
VDD_NPU_4	1J14	VOP_BT1120_D3/GMAC1_RXD2_M0/I2S3_LRCK_M0/SDMMC2_D3_M1/GPIO3_A4_d	AR9
VDD_NPU_5	1J15	VOP_BT1120_D1/GMAC1_TXD2_M0/I2S3_MCLK_M0/SDMMC2_D1_M1/GPIO3_A2_d	AR10
AVSS1_11	1J16	HDMITX_SCL/I2C5_SCL_M1/GPIO4_C7_u	AR12
USB_AVDD1_0V9	1J17	MIPI_CSI_RX_D3P	AR14
AVSS1_12	1J18	MIPI_CSI_RX_D2N	AR15
USB3_HOST1_DP	1J19	MIPI_CSI_RX_D1P	AR17
USB3_HOST1_DM	1J20	MIPI_CSI_RX_D0N	AR18
VSS_81	1K2	MIPI_DSI_TX1_D3P	AR20
VSS_82	1K3	MIPI_DSI_TX1_D2N	AR21
VSS_83	1K4	MIPI_DSI_TX1_D1P	AR23
VSS_84	1K5	MIPI_DSI_TX1_D0N	AR24
VSS_85	1K6	MIPI_DSI_TX0_D3P/LVDS_TX0_D3P	AR26
VDD_LOGIC_7	1K7	MIPI_DSI_TX0_D2N/LVDS_TX0_D2N	AR27
VSS_86	1K8	MIPI_DSI_TX0_D1P/LVDS_TX0_D1P	AR29
VSS_87	1K9	MIPI_DSI_TX0_D0N/LVDS_TX0_D0N	AR30
VDD_LOGIC_8	1K10	HDMI_TX_CLKP	AR32
VSS_88	1K11	HDMI_TX_D0N	AR33
VSS_89	1K12	HDMI_TX_D1P	AR35
VSS_90	1K13	HDMI_TX_D2N	AR36
VSS_91	1K14	VSS_29	AR38
VSS_92	1K15	VSS_4	B1
MULTI_PHY_AVDD_0V9	1K16	VSS_5	B2
MULTI_PHY_AVDD_1V8	1K17	DDR4_CS0n/LPDDR4_CS0n_A/DDR3_ODT1/LPDDR3_ODT0/AC25	B3
AVSS1_13	1K18	DDR4_CKE/LPDDR4_CKE0_A/DDR3_CKE/LPDDR3_CKE/AC22	B4
PCIE20_REFCLKP	1K19	DDR4_CLKN/LPDDR4_CLKN_A/DDR3_CLKN/LPDDR3_CLKN/AC24	B5
PCIE20_REFCLKN	1K20	VSS_6	B6
CIF_HREF/EBC_SDLE/GMAC1_MDC_M1/UART1_RTSn_M1/I2S2_MCLK_M1/GPIO4_B6_d	1L1	DDR4_A9/LPDDR4_CLKN_B/DDR3_A5/-/AC9	B7
CAM_CLKOUT1/EBC_SDCE2/GMAC1_RXD1_M1/SPI3_MISO_M0/I2S1_SDO1_M1/GPIO4_B0_d	1L2	DDR4_A5/LPDDR4_A5_B/DDR3_A11/LPDDR3_A2/AC5	B8
VSS_93	1L3	DDR4_A6/LPDDR4_A1_B/DDR3_A13/LPDDR3_A1/AC6	B9
VCCIO6_1	1L4	DDR_DQ1_B/DDR4_DQU5_B/LPDDR4_DQ1_B/DDR3_DQ17/LPDDR3_DQ5	B10
VCCIO6_2	1L5	VSS_7	B11
VSS_94	1L6	DDR_DQ0_B/DDR4_DQU7_B/LPDDR4_DQ0_B/DDR3_DQ16/LPDDR3_DQ1	B12

Pin Name	PIN	Pin Name	PIN
VDD_LOGIC_9	1L7	DDR_DQ4_B/DDR4_DQU0_B/LPDDR4_DQ4_B/DD R3_DQ20/LPDDR3_DQ2	B13
VDD_GPU_1	1L8	VSS_8	B14
VDD_GPU_2	1L9	DDR_DQ13_B/DDR4_DQL5_B/LPDDR4_DQ13_B/DDR3_DQ29/LPDDR3_DQ17	B15
VSS_95	1L10	DDR_DQ15_B/DDR4_DQL3_B/LPDDR4_DQ15_B/DDR3_DQ31/LPDDR3_DQ21	B16
VSS_96	1L11	DDR_DQS1N_B/DDR4_DQSL_N_B/LPDDR4_DQS1N_B/DDR3_DQS3N/LPDDR3_DQS2N	B17
VSS_97	1L12	VSS_9	B18
VSS_98	1L13	DDR_DQ8_B/DDR4_DQL0_B/LPDDR4_DQ8_B/DD R3_DQ24/LPDDR3_DQ18	B19
VSS_99	1L14	DDR_DQ11_B/DDR4_DQL6_B/LPDDR4_DQ11_B/DDR3_DQ27/LPDDR3_DQ23	B20
VSS_100	1L15	VSS_10	B21
AVSS1_14	1L19	I2C3_SCL_M0/UART3_TX_M0/AUDIOPWM_LOUT_N/GPIO1_A1_u	B22
VSS_101	1M3	I2S1_SCLK_TX_M0/UART3_CTSn_M0/SCR_IO/GPIO1_A3_d	B23
VSS_102	1M4	I2S1_LRCK_TX_M0/UART4_RTSn_M0/SCR_RST/GPIO1_A5_d	B24
VSS_103	1M5	I2S1_SDO0_M0/UART4_CTSn_M0/SCR_DET/AUDIOPWM_ROUT_N/GPIO1_A7_d	B25
VSS_104	1M6	I2S1_SDO3_M0/I2S1_SDI1_M0/PDM_SDI1_M0/P CIE20_PERSTn_M2/GPIO1_B2_d	B26
VDD_GPU_3	1M7	EMMC_D1/FLASH_D1/GPIO1_B5_u	B27
VDD_GPU_4	1M8	VSS_11	B28
VDD_GPU_5	1M9	EMMC_D3/FLASH_D3/GPIO1_B7_u	B29
VSS_105	1M10	EMMC_D6/FLASH_D6/GPIO1_C2_u	B30
VSS_106	1M11	VSS_12	B31
VSS_107	1M12	EMMC_D2/FLASH_D2/GPIO1_B6_u	B32
VSS_108	1M13	EMMC_D4/FLASH_D4/GPIO1_C0_u	B33
VSS_109	1M14	SDMMC1_DET/I2C4_SCL_M1/UART8_CTSn_M0/GPIO2_B2_u	B34
VSS_110	1M15	SDMMC1_CMD/UART9_RX_M0/GPIO2_A7_u	B35
VSS_111	1M16	I2S2_MCLK_M0/ETH0_REFCLKO_25M/UART7_RTSn_M0/SPI2_CLK_M0/GPIO2_C1_d	B36
VSS_112	1M17	SDMMC1_CLK/UART9_TX_M0/GPIO2_B0_d	B37
TVSS	1M18	CLK32K_OUT1/UART8_RX_M0/SPI1_CS1_M0/GPIO2_C6_d	B38
GPIOD0_D4_d	1M19	DDR4_A2/LPDDR4_A1_A/DDR3_A4/LPDDR3_A6/AC2	C1
VSS_113	1M20	DDR4_A11/LPDDR4_A0_A/DDR3_A7/LPDDR3_A8/AC11	C2
CAM_CLKOUT0/EBC_SDCE1/GMAC1_RXD0_M1/SPI3_CS1_M0/I2S1_LRCK_RX_M1/GPIO4_A7_d	1N1	I2S2_SCLK_TX_M0/UART7_CTSn_M0/SPI2_MISO_M0/GPIO2_C2_d	C37
CIF_D14/EBC_SDDO14/GMAC1_TXD0_M1/UART9_TX_M2/I2S2_LRCK_TX_M1/GPIO4_A4_d	1N2	VSS_13	D2
VSS_114	1N3	I2S2_SDI_M0/UART8_TX_M0/SPI2_CS1_M0/GPIO2_C5_d	D37
VSS_115	1N4	I2S2_SCLK_RX_M0/UART6_RTSn_M0/SPI1_MOSI_M0/GPIO2_B7_d	D38
VCCIO5_1	1N5	DDR_DQ3_A/DDR4_DQL6_A/LPDDR4_DQ3_A/DD R3_DQ3/LPDDR3_DQ9	E1
VCCIO5_2	1N6	DDR4_A8/LPDDR4_ODT0_CA_A/DDR3_A6/LPDDR3_A9/AC8	E2
VSS_116	1N7	VSS_23	E37
VCCIO7	1N8	DDR_DQ2_A/DDR4_DQL4_A/LPDDR4_DQ2_A/DD R3_DQ2/LPDDR3_DQ10	F1
MIPI_CSI_RX_AVDD_0V9	1N9	DDR_DQ1_A/DDR4_DQL2_A/LPDDR4_DQ1_A/DD R3_DQ1/LPDDR3_DQ14	F2
MIPI_DSI_TX1_AVDD_0V9	1N10	UART1_RTSn_M0/SPI1_CLK_M0/GPIO2_B5_u	F37
AVSS_9	1N11	UART1_TX_M0/GPIO2_B4_u	F38
AVSS_10	1N12	DDR_DQ0_A/DDR4_DQL0_A/LPDDR4_DQ0_A/DD R3_DQ0/LPDDR3_DQ15	G2
HDMI_TX_AVDD_0V9_2	1N13	UART1_CTSn_M0/SPI1_MISO_M0/GPIO2_B6_u	G37
HDMI_TX_AVDD_0V9_1	1N14	SDMMC0_CLK/TEST_CLKOUT/UART5_TX_M0/GPIO2_A2_d	G38
PMUIO2	1N15	DDR_DQS0N_A/DDR4_DQSL_N_A/LPDDR4_DQS0N_A/DDR3_DQS0N/LPDDR3_DQS1N	H1
PMU_VDD_LOGIC_0V9	1N16	DDR_DQS0P_A/DDR4_DQSL_P_A/LPDDR4_DQS0P_A/DDR3_DQS0P/LPDDR3_DQS1P	H2

Pin Name	PIN	Pin Name	PIN
PMUPLL_AVSS	1N17	AVSS1_1	H37
PMUPLL_AVDD_1V8	1N18	VSS_14	J2
GPIO0_D3_d	1N19	EDP_TX_D0P	J37
GPIO0_D5_d	1N20	EDP_TX_D0N	J38
VSS_117	1P1	DDR_DQ5_A/DDR4_DQL5_A/LPDDR4_DQ5_A/DD R3_DQ5/LPDDR3_DQ12	K1
CIF_D11/EBC_SDD011/GMAC1_RXD2_M1/PDM SDI1_M1/GPIO4_A1_d	1P2	DDR_DQ6_A/DDR4_DQL3_A/LPDDR4_DQ6_A/DD R3_DQ6/LPDDR3_DQ8	K2
PWM14_M0/VOP_PWM_M1/GMAC1_MDC_M0/U ART7_TX_M1/PDM_CLK1_M2/GPIO3_C4_d	1P3	EDP_TX_D1N	K37
PWM15_IR_M0/SPDIF_TX_M1/GMAC1_MDIO_M 0/UART7_RX_M1/I2S1_LRCK_RX_M2/GPIO3_C 5_d	1P4	EDP_TX_D1P	K38
VSS_118	1P5	VSS_15	L2
VSS_119	1P6	AVSS1_2	L37
VSS_120	1P7	DDR_DQ12_A/DDR4_DQU2_A/LPDDR4_DQ12_A/ DDR3_DQ12/LPDDR3_DQ26	M1
AVSS_11	1P8	DDR_DQ4_A/DDR4_DQL7_A/LPDDR4_DQ4_A/DD R3_DQ4/LPDDR3_DQ13	M2
MIPI_CSI_RX_AVDD_1V8	1P9	EDP_TX_D2P	M37
AVSS_12	1P10	EDP_TX_D2N	M38
MIPI_DSI_TX0/LVDS_TX0_AVDD_0V9	1P11	DDR_DQS1P_A/DDR4_DQSU_P_A/LPDDR4_DQS1 P_A/DDR3_DQS1P/LPDDR3_DQS3P	N1
MIPI_DSI_TX0/LVDS_TX0_AVDD_1V8	1P12	DDR_DQS1N_A/DDR4_DQSU_N_A/LPDDR4_DQS 1N_A/DDR3_DQS1N/LPDDR3_DQS3N	N2
HDMI_TX_AVDD_1V8	1P13	EDP_TX_D3P	N37
AVSS_13	1P14	EDP_TX_D3N	N38
VSS_121	1P15	DDR_DQ8_A/DDR4_DQU3_A/LPDDR4_DQ8_A/DD R3_DQ8/LPDDR3_DQ25	P2
PMUIO1	1P16	AVSS1_3	P37
PMUPLL_AVDD_0V9	1P17	DDR_DQ9_A/DDR4_DQU1_A/LPDDR4_DQ9_A/DD R3_DQ9/LPDDR3_DQ24	R1
REFCLK_OUT/GPIO0_A0_d	1P18	DDR_DQ10_A/DDR4_DQU7_A/LPDDR4_DQ10_A/ DDR3_DQ10/LPDDR3_DQ28	R2
PMIC_SLEEP/TSADC_SHUT_M1/GPIO0_A2_d	1P19	USB_OTG0_DP	R37
GPIO0_D6_d	1P20	USB_OTG0_DM	R38
CIF_D12/EBC_SDD012/GMAC1_RXD3_M1/UAR T7_TX_M2/PDM_SDI2_M1/GPIO4_A2_d	1R1	DDR_DQ11_A/DDR4_DQU5_A/LPDDR4_DQ11_A/ DDR3_DQ11/LPDDR3_DQ29	T2
CIF_D6/EBC_SDD06/SDMMC2_DET_M0/I2S1 SDI2_M1/VOP_BT656_D6_M1/GPIO3_D4_d	1R2	USB_OTG0_ID	T37
VSS_122	1R3	USB_OTG0_VBUSDET	T38
VSS_123	1R4	VSS_16	U2
VSS_124	1R5	AVSS1_4	U37
VSS_125	1R6	USB_HOST2_DM	V1
VSS_126	1R7	USB_HOST2_DP	V2
AVSS_14	1R8	USB3_HOST1_SSRXN/SATA1_RXN	V37
AVSS_15	1R9	USB3_HOST1_SSRXP/SATA1_RXP	V38
MIPI_DSI_TX1_AVDD_1V8	1R10	VSS_17	W2
AVSS_16	1R11	USB3_HOST1_SSTXP/SATA1_TXP	W37
AVSS_17	1R12	USB3_HOST1_SSTXN/SATA1_TXN	W38
AVSS_18	1R13	USB_HOST3_DM	Y1
AVSS_19	1R14	USB_HOST3_DP	Y2
AVSS_20	1R15	AVSS1_5	Y37
I2C2_SDA_M0/SPI0_MOSI_M0/PCIE20_PERSTn _M0/PWM2_M1/GPIO0_B6_u	1R16		

## 2.6 Power/Ground IO Description

Table 2-2 Power/Ground IO information

Group	Ball#	Descriptions
VSS	A1 B21 1L15 1M3 1M4 1M5 1M6 1M10 1M11 1M12 1M13 1M14 B28 1M15 1M16 1M17 1M20 1N3 1N4 1N7 1P1 1P5 1P6 B31 1P7 1P15 1R3 1R4 1R5 1R6 1R7 1T3 1T5 1U2 D2 1V1 1V4 J2 L2 U2 W2 AA2 AD2 A2 AP2 AR1 AP8 E37 AC37	Internal Core Ground, Digital IO Ground,

Group	Ball#	Descriptions
	AE37 AH37 AL37 AP37 AR38 A38 1B10 1B11 1B15 1B19 1C4 1C5 1C6 1C8 1C9 1C14 B1 1C16 1C18 1D1 1D3 1D10 1D14 1E3 1E8 1E10 1E14 B2 1E15 1E17 1F6 1F7 1F8 1F9 1F10 1F15 1F16 1G3 B6 1G6 1G7 1G8 1G9 1G10 1G11 1G12 1G14 1H1 1H2 B11 1H6 1H11 1H12 1H13 1J1 1J6 1J8 1J9 1J11 1J12 B14 1J13 1K2 1K3 1K4 1K5 1K6 1K8 1K9 1K11 1K12 B18 1K13 1K14 1K15 1L3 1L6 1L10 1L11 1L12 1L13 1L14	
AVSS	AP13 1N12 1P8 1P10 1P14 1R8 1R9 1R11 1R12 1R13 1R14 AP16 1R15 1T7 1T8 1T9 1T10 1T11 1T12 1T13 1T14 1T15 AP19 1T16 1T17 1U12 1U13 1U15 1U17 1V7 1V12 1V13 1V18 AP22 AP25 AP28 AP31 AP34 1N11	Analog Ground
AVSS1	H37 1G20 1J16 1J18 1K18 1L19 L37 P37 U37 Y37 1F20 1G16 1G18 1G19	Analog Ground
DDR_AVSS	1D4	Analog Ground
PMUPLL_VSS	1N17	Analog Ground
SYSPLL_VSS	1J5	Analog Ground
VDD_CPU	1C12 1F14 1G13 1D11 1D12 1E11 1E12 1E13 1F11 1F12 1F13	CPU Core Power
VDD_GPU	1L8 1L9 1M7 1M8 1M9	GPU Core Power
VDD_NPU	1G15 1H14 1H15 1J14 1J15	NPU Core Power
VDD_LOGIC	1H7 1H8 1H9 1H10 1J7 1J10 1K7 1K10 1L7	Logic Power
PMU_VDD_LOGIC_0V9	1N16	PMU digital Power
VCCIO1	1D13	VCCIO1 Power Domain Power
VCCIO2	1C13	VCCIO2 Power Domain Power
VCCIO3	1F17	VCCIO3 Power Domain Power
VCCIO4	1E16	VCCIO4 Power Domain Power
VCCIO5	1N5 1N6	VCCIO5 Power Domain Power
VCCIO6	1L4 1L5	VCCIO6 Power Domain Power
VCCIO7	1N8	VCCIO7 Power Domain Power
PMUIO1	1P16	PMU VCCIO1 Power Domain Power
PMUIO2	1N15	PMU VCCIO2 Power Domain Power
DDRRPHY_VDDQ	1D5 1D6 1D7 1D8 1D9 1E4 1F4 1G4	DDR PHY Power
DDRRPHY_VDDQL	1E6 1E7 1E9 1F5 1G5	DDR PHY Power

Group	Ball#	Descriptions
PMUPLL_AVDD_0V9	1P17	PLL Analog Power
PMUPLL_AVDD_1V8	1N18	PLL Analog Power
SYSPLL_AVDD_0V9	1H5	PLL Analog Power
SYSPLL_AVDD_1V8	1H4	PLL Analog Power
USB_AVDD2_0V9	1J4	USB2.0 analog Power
USB_AVDD2_1V8	1J3	USB2.0 analog Power
USB_AVDD2_3V3	1J2	USB2.0 analog Power
USB_AVDD1_0V9	1J17	USB3.0 analog Power
USB_AVDD1_1V8	1H16	USB3.0 analog Power
USB_AVDD1_3V3	1H18	USB3.0 analog Power
MULTI_PHY_AVDD_0V9	1K16	Multi-Phy analog Power
MULTI_PHY_AVDD_1V8	1K17	Multi-Phy analog Power
MIPI_CSI_RX_AVDD_0V9	1N9	MIPI CSI RX Analog Power
MIPI_CSI_RX_AVDD_1V8	1P9	MIPI CSI RX Analog Power
MIPI_DSI_TX0/LVDS_TX0_AVDD_0V9	1P11	MIPI DSI TX analog Power
MIPI_DSI_TX0/LVDS_TX0_AVDD_1V8	1P12	MIPI DSI TX analog Power
MIPI_DSI_TX1_AVDD_0V9	1N10	MIPI DSI TX analog Power
MIPI_DSI_TX1_AVDD_1V8	1R10	MIPI DSI TX analog Power
EDP_TX_AVDD_0V9	1H17	EDP Analog Power
EDP_TX_AVDD_1V8	1G17	EDP Analog Power
HDMI_TX_AVDD_0V9	1N14 1N13	HDMI PHY analog Power
HDMI_TX_AVDD_1V8	1P13	HDMI PHY analog Power
SARADC_AVDD_1V8	1D16	SARADC Analog Power
OTP_VCC_1V8	1D15	OTP Analog Power

## 2.7 Function IO Description

PIN	PIN Name	Func1	Func2	Func3	Func4	Func5	Func6	Power Domain
AD37	XIN24M	XIN24M						PMUIO0
PMUIO0	XOUT24M	XOUT24M						
1N19	GPIO0_D3_d	GPIO0_D3_d						
1M19	GPIO0_D4_d	GPIO0_D4_d						
1N20	GPIO0_D5_d	GPIO0_D5_d						
1P20	GPIO0_D6_d	GPIO0_D6_d						
1M18	TVSS	TVSS						
AG38	nPOR_u	nPOR_u						PMUIO1
PMUIO1	REFCLK_OUT/GPIO0_A0_d	GPIO0_A0_d	REFCLK_OUT					
1R20	TSADC_SHUT_M0/TSADC_SHUT_ORG/GPIO0_A1_z	GPIO0_A1_z	TSADC_SHUT_M0	TSADC_SHUT_ORG				
1P19	PMIC_SLEEP/TSADC_SHUT_M1/GPIO0_A2_d	GPIO0_A2_d	PMIC_SLEEP	TSADC_SHUT_M1				
1R19	GPIO0_A3_u	GPIO0_A3_u						
AF37	SDMMC0_DET/SATA_CP_DET/GPIO0_A4_u	GPIO0_A4_u	SDMMC0_DET	SATA_CP_DET				
AG37	SDMMC0_PWREN/SATA_MP_SWITCH/PCIE20_CLKREQn_M0/GPIO0_A5_d	GPIO0_A5_d	SDMMC0_PWREN	SATA_MP_SWITCH	PCIE20_CLKREQn_M0			
AJ38	GPU_PWREN/SATA_CP_POD/GPIO0_A6_d	GPIO0_A6_d	GPU_PWREN	SATA_CP_POD				PMUIO2
AF38	FLASH_VOL_SEL/GPIO0_A7_u	GPIO0_A7_u	FLASH_VOL_SEL					
1T20	CLK32K_IN/CLK32K_OUT0/GPIO0_B0_u	GPIO0_B0_u	CLK32K_IN	CLK32K_OUT0				
PMUIO2	I2C0_SCL/GPIO0_B1_u	GPIO0_B1_u	I2C0_SCL					
AK38	I2C0_SDA/GPIO0_B2_u	GPIO0_B2_u	I2C0_SDA					
AK37	I2C1_SCL/MCU_JTAG_TDO/GPIO0_B3_u	GPIO0_B3_u	I2C1_SCL	MCU_JTAG_TDO				
AM38	I2C1_SDA/PCIE20_BUTTONRSTn/MCU_JTAG_TCK/GPIO0_B4_u	GPIO0_B4_u	I2C1_SDA	PCIE20_BUTTONRSTn	MCU_JTAG_TCK			
1U20	I2C2_SCL_M0/SPI0_CLK_M0/PCIE20_WAKEn_M0/PWM1_M1/GPIO0_B5_u	GPIO0_B5_u	I2C2_SCL_M0	SPI0_CLK_M0	PCIE20_WAKEn_M0	PWM1_M1		PMUIO2
1R16	I2C2_SDA_M0/SPI0_MOSI_M0/PCIE20_PERSTn_M0/PWM2_M1/GPIO0_B6_u	GPIO0_B6_u	I2C2_SDA_M0	SPI0_MOSI_M0	PCIE20_PERSTn_M0	PWM2_M1		
1R17	PWM0_M0/CPUAVS/GPIO0_B7_d	GPIO0_B7_d	PWM0_M0	CPUAVS				
1T19	PWM1_M0/GPUAVS/UART0_RX/GPIO0_C0_d	GPIO0_C0_d	PWM1_M0	GPUAVS	UART0_RX			
1R18	PWM2_M0/NPUAVS/UART0_TX/MCU_JTAG_TDI/GPIO0_C1_d	GPIO0_C1_d	PWM2_M0	NPUAVS	UART0_TX	MCU_JTAG_TDI		
AM37	PWM3_IR/EDP_HPDI_M1/MCU_JTAG_TMS/GPIO0_C2_d	GPIO0_C2_d	PWM3_IR	EDP_HPDI_M1	MCU_JTAG_TMS			
AN38	PWM4/VOP_PWM_M0/MCU_JTAG_TRSTn/GPIO0_C3_d	GPIO0_C3_d	PWM4	VOP_PWM_M0	MCU_JTAG_TRSTn			
AN37	PWM5/SPI0_CS1_M0/UART0_RTSn/GPIO0_C4_d	GPIO0_C4_d	PWM5	SPI0_CS1_M0	UART0_RTSn			
1U19	PWM6/SPI0_MISO_M0/GPIO0_C5_d	GPIO0_C5_d	PWM6	SPI0_MISO_M0				
1T18	PWM7_IR/SPI0_CS0_M0/GPIO0_C6_d	GPIO0_C6_d	PWM7_IR	SPI0_CS0_M0				
1V20	HDMITX_CEC_M1/PWM0_M1/UART0_CTSn/GPIO0_C7_d	GPIO0_C7_d	HDMITX_CEC_M1	PWM0_M1	UART0_CTSn			
1V19	UART2_RX_M0/GPIO0_D0_u	GPIO0_D0_u	UART2_RX_M0					
1U18	UART2_TX_M0/GPIO0_D1_u	GPIO0_D1_u	UART2_TX_M0					
A22	I2C3_SDA_M0/UART3_RX_M0/AUDIOPWM_LOUT_P/GPIO1_A0_u	GPIO1_A0_u	I2C3_SDA_M0	UART3_RX_M0	AUDIOPWM_LOUT_P			VCCIO1
VCCIO1	I2C3_SCL_M0/UART3_TX_M0/AUDIOPWM_LOUT_N/GPIO1_A1_u	GPIO1_A1_u	I2C3_SCL_M0	UART3_TX_M0	AUDIOPWM_LOUT_N			
A23	I2S1_MCLK_M0/UART3_RTSn_M0/SCR_CLK/GPIO1_A2_d	GPIO1_A2_d	I2S1_MCLK_M0	UART3_RTSn_M0	SCR_CLK			
B23	I2S1_SCLK_TX_M0/UART3_CTSn_M0/SCR_IO/GPIO1_A3_d	GPIO1_A3_d	I2S1_SCLK_TX_M0	UART3_CTSn_M0	SCR_IO			



PIN	PIN Name	Func1	Func2	Func3	Func4	Func5	Func6	Power Domain	
1A13	I2S1_SCLK_RX_M0/UART4_RX_M0/PDM_CLK1_M0/SPDIF_TX_M0/GPIO1_A4_d	GPIO1_A4_d	I2S1_SCLK_RX_M0	UART4_RX_M0	PDM_CLK1_M0	SPDIF_TX_M0		VCCIO1	
B24	I2S1_LRCK_TX_M0/UART4_RTSn_M0/SCR_RST/GPIO1_A5_d	GPIO1_A5_d	I2S1_LRCK_TX_M0	UART4_RTSn_M0	SCR_RST				
1A14	I2S1_LRCK_RX_M0/UART4_TX_M0/PDM_CLK0_M0/AUDIOPWM_ROUT_P/GPIO1_A6_d	GPIO1_A6_d	I2S1_LRCK_RX_M0	UART4_TX_M0	PDM_CLK0_M0	AUDIOPWM_ROUT_P			
B25	I2S1_SDO0_M0/UART4_CTSn_M0/SCR_DET/AUDIOPWM_ROUT_N/GPIO1_A7_d	GPIO1_A7_d	I2S1_SDO0_M0	UART4_CTSn_M0	SCR_DET	AUDIOPWM_ROUT_N			
1B13	I2S1_SDO1_M0/I2S1_SDI3_M0/PDM_SDI3_M0/PCIE20_CLKREQn_M2/GPIO1_B0_d	GPIO1_B0_d	I2S1_SDO1_M0	I2S1_SDI3_M0	PDM_SDI3_M0	PCIE20_CLKREQn_M2			
A26	I2S1_SDO2_M0/I2S1_SDI2_M0/PDM_SDI2_M0/PCIE20_WAKEn_M2/GPIO1_B1_d	GPIO1_B1_d	I2S1_SDO2_M0	I2S1_SDI2_M0	PDM_SDI2_M0	PCIE20_WAKEn_M2			
B26	I2S1_SDO3_M0/I2S1_SDI1_M0/PDM_SDI1_M0/PCIE20_PERSTn_M2/GPIO1_B2_d	GPIO1_B2_d	I2S1_SDO3_M0	I2S1_SDI1_M0	PDM_SDI1_M0	PCIE20_PERSTn_M2			
1B14	I2S1_SDI0_M0/PDM_SDI0_M0/GPIO1_B3_d	GPIO1_B3_d	I2S1_SDI0_M0	PDM_SDI0_M0					
A32	EMMC_D0/FLASH_D0/GPIO1_B4_u	GPIO1_B4_u	EMMC_D0	FLASH_D0					VCCIO2
VCCIO2	EMMC_D1/FLASH_D1/GPIO1_B5_u	GPIO1_B5_u	EMMC_D1	FLASH_D1					
B32	EMMC_D2/FLASH_D2/GPIO1_B6_u	GPIO1_B6_u	EMMC_D2	FLASH_D2					
B29	EMMC_D3/FLASH_D3/GPIO1_B7_u	GPIO1_B7_u	EMMC_D3	FLASH_D3					
B33	EMMC_D4/FLASH_D4/GPIO1_C0_u	GPIO1_C0_u	EMMC_D4	FLASH_D4					
A30	EMMC_D5/FLASH_D5/GPIO1_C1_u	GPIO1_C1_u	EMMC_D5	FLASH_D5					
B30	EMMC_D6/FLASH_D6/GPIO1_C2_u	GPIO1_C2_u	EMMC_D6	FLASH_D6					
A33	EMMC_D7/FLASH_D7/GPIO1_C3_u	GPIO1_C3_u	EMMC_D7	FLASH_D7					
A27	EMMC_CMD/FLASH_WRn/GPIO1_C4_u	GPIO1_C4_u	EMMC_CMD	FLASH_WRn					
A29	EMMC_CLKOUT/FLASH_DQS/GPIO1_C5_d	GPIO1_C5_d	EMMC_CLKOUT	FLASH_DQS					
1A16	EMMC_DATA_STROBE/FSPI_CS1n/FLASH_CLE/GPIO1_C6_d	GPIO1_C6_d	EMMC_DATA_STROBE	FSPI_CS1n	FLASH_CLE				
1B16	EMMC_RSTn/FSPI_D2/FLASH_WPn/GPIO1_C7_d	GPIO1_C7_d	EMMC_RSTn	FSPI_D2	FLASH_WPn				
1A15	FSPI_CLK/FLASH_ALE/GPIO1_D0_d	GPIO1_D0_d	FSPI_CLK	FLASH_ALE					
1A17	FSPI_D0/FLASH_RDY/GPIO1_D1_u	GPIO1_D1_u	FSPI_D0	FLASH_RDY					
1A18	FSPI_D1/FLASH_RDn/GPIO1_D2_u	GPIO1_D2_u	FSPI_D1	FLASH_RDn					
1B17	FSPI_CS0n/FLASH_CS0n/GPIO1_D3_u	GPIO1_D3_u	FSPI_CS0n	FLASH_CS0n					
1C15	FSPI_D3/FLASH_CS1n/GPIO1_D4_u	GPIO1_D4_u	FSPI_D3	FLASH_CS1n					
1E20	SDMMC0_D0/UART2_TX_M1/UART6_TX_M1/PWM8_M1/GPIO1_D5_u	GPIO1_D5_u	SDMMC0_D0	UART2_TX_M1	UART6_TX_M1	PWM8_M1		VCCIO3	
VCCIO3	SDMMC0_D1/UART2_RX_M1/UART6_RX_M1/PWM9_M1/GPIO1_D6_u	GPIO1_D6_u	SDMMC0_D1	UART2_RX_M1	UART6_RX_M1	PWM9_M1			
1D20	SDMMC0_D2/ARM_JTAG_TCK/UART5_CTSn_M0/GPIO1_D7_u	GPIO1_D7_u	SDMMC0_D2	ARM_JTAG_TCK	UART5_CTSn_M0				
1F18	SDMMC0_D3/ARM_JTAG_TMS/UART5_RTSn_M0/GPIO2_A0_u	GPIO2_A0_u	SDMMC0_D3	ARM_JTAG_TMS	UART5_RTSn_M0				
1E19	SDMMC0_CMD/PWM10_M1/UART5_RX_M0/GPIO2_A1_u	GPIO2_A1_u	SDMMC0_CMD	PWM10_M1	UART5_RX_M0				
G38	SDMMC0_CLK/TEST_CLKOUT/UART5_TX_M0/GPIO2_A2_d	GPIO2_A2_d	SDMMC0_CLK	TEST_CLKOUT	UART5_TX_M0				
1C19	SDMMC1_D0/UART6_RX_M0/GPIO2_A3_u	GPIO2_A3_u	SDMMC1_D0	UART6_RX_M0				VCCIO4	
VCCIO4	SDMMC1_D1/UART6_TX_M0/GPIO2_A4_u	GPIO2_A4_u	SDMMC1_D1	UART6_TX_M0					
1D18	SDMMC1_D2/UART7_RX_M0/GPIO2_A5_u	GPIO2_A5_u	SDMMC1_D2	UART7_RX_M0					
1A20	SDMMC1_D3/UART7_TX_M0/GPIO2_A6_u	GPIO2_A6_u	SDMMC1_D3	UART7_TX_M0					
B35	SDMMC1_CMD/UART9_RX_M0/GPIO2_A7_u	GPIO2_A7_u	SDMMC1_CMD	UART9_RX_M0					
B37	SDMMC1_CLK/UART9_TX_M0/GPIO2_B0_d	GPIO2_B0_d	SDMMC1_CLK	UART9_TX_M0					
A35	SDMMC1_PWREN/I2C4_SDA_M1/UART8_RTSn_M0/GPIO2_B1_d	GPIO2_B1_d	SDMMC1_PWREN	I2C4_SDA_M1	UART8_RTSn_M0				
B34	SDMMC1_DET/I2C4_SCL_M1/UART8_CTSn_M0/GPIO2_B2_u	GPIO2_B2_u	SDMMC1_DET	I2C4_SCL_M1	UART8_CTSn_M0				
1C20	UART1_RX_M0/GPIO2_B3_u	GPIO2_B3_u	UART1_RX_M0						
F38	UART1_TX_M0/GPIO2_B4_u	GPIO2_B4_u	UART1_TX_M0						
F37	UART1_RTSn_M0/SPI1_CLK_M0/GPIO2_B5_u	GPIO2_B5_u	UART1_RTSn_M0	SPI1_CLK_M0					

PIN	PIN Name	Func1	Func2	Func3	Func4	Func5	Func6	Power Domain
G37	UART1_CTSn_M0/SPI1_MISO_M0/GPIO2_B6_u	GPIO2_B6_u	UART1_CTSn_M0	SPI1_MISO_M0				
D38	I2S2_SCLK_RX_M0/UART6_RTSn_M0/SPI1_MOSI_M0/GPIO2_B7_d	GPIO2_B7_d	I2S2_SCLK_RX_M0	UART6_RTSn_M0	SPI1_MOSI_M0			
A37	I2S2_LRCK_RX_M0/UART6_CTSn_M0/SPI1_CS0_M0/GPIO2_C0_d	GPIO2_C0_d	I2S2_LRCK_RX_M0	UART6_CTSn_M0	SPI1_CS0_M0			
B36	I2S2_MCLK_M0/ETH0_REFCLKO_25M/UART7_RTSn_M0/SPI2_CLK_M0/GPIO2_C1_d	GPIO2_C1_d	I2S2_MCLK_M0	ETH0_REFCLKO_25M	UART7_RTSn_M0	SPI2_CLK_M0		
C37	I2S2_SCLK_TX_M0/UART7_CTSn_M0/SPI2_MISO_M0/GPIO2_C2_d	GPIO2_C2_d	I2S2_SCLK_TX_M0	UART7_CTSn_M0	SPI2_MISO_M0			
1D19	I2S2_LRCK_TX_M0/UART9_RTSn_M0/SPI2_MOSI_M0/GPIO2_C3_d	GPIO2_C3_d	I2S2_LRCK_TX_M0	UART9_RTSn_M0	SPI2_MOSI_M0			
1B20	I2S2_SDO_M0/UART9_CTSn_M0/SPI2_CS0_M0/GPIO2_C4_d	GPIO2_C4_d	I2S2_SDO_M0	UART9_CTSn_M0	SPI2_CS0_M0			
D37	I2S2_SDI_M0/UART8_TX_M0/SPI2_CS1_M0/GPIO2_C5_d	GPIO2_C5_d	I2S2_SDI_M0	UART8_TX_M0	SPI2_CS1_M0			
B38	CLK32K_OUT1/UART8_RX_M0/SPI1_CS1_M0/GPIO2_C6_d	GPIO2_C6_d	CLK32K_OUT1	UART8_RX_M0	SPI1_CS1_M0			
1U5	VOP_BT1120_D0/SPI1_CS0_M1/SDMMC2_D0_M1/GPIO3_A1_d	GPIO3_A1_d	VOP_BT1120_D0	SPI1_CS0_M1	SDMMC2_D0_M1			
VCCIO5	VOP_BT1120_D1/GMAC1_TXD2_M0/I2S3_MCLK_M0/SDMMC2_D1_M1/GPIO3_A2_d	GPIO3_A2_d	VOP_BT1120_D1	GMAC1_TXD2_M0	I2S3_MCLK_M0	SDMMC2_D1_M1		
AP10	VOP_BT1120_D2/GMAC1_TXD3_M0/I2S3_SCLK_M0/SDMMC2_D2_M1/GPIO3_A3_d	GPIO3_A3_d	VOP_BT1120_D2	GMAC1_TXD3_M0	I2S3_SCLK_M0	SDMMC2_D2_M1		
AR9	VOP_BT1120_D3/GMAC1_RXD2_M0/I2S3_LRCK_M0/SDMMC2_D3_M1/GPIO3_A4_d	GPIO3_A4_d	VOP_BT1120_D3	GMAC1_RXD2_M0	I2S3_LRCK_M0	SDMMC2_D3_M1		
AP9	VOP_BT1120_D4/GMAC1_RXD3_M0/I2S3_SDO_M0/SDMMC2_CMD_M1/GPIO3_A5_d	GPIO3_A5_d	VOP_BT1120_D4	GMAC1_RXD3_M0	I2S3_SDO_M0	SDMMC2_CMD_M1		
1U4	VOP_BT1120_CLK/GMAC1_TXCLK_M0/I2S3_SDI_M0/SDMMC2_CLK_M1/GPIO3_A6_d	GPIO3_A6_d	VOP_BT1120_CLK	GMAC1_TXCLK_M0	I2S3_SDI_M0	SDMMC2_CLK_M1		
1V3	VOP_BT1120_D5/GMAC1_RXCLK_M0/SDMMC2_DET_M1/GPIO3_A7_d	GPIO3_A7_d	VOP_BT1120_D5	GMAC1_RXCLK_M0	SDMMC2_DET_M1			
AR7	VOP_BT1120_D6/ETH1_REFCLKO_25M_M0/SDMMC2_PWREN_M1/GPIO3_B0_d	GPIO3_B0_d	VOP_BT1120_D6	ETH1_REFCLKO_25M_M0	SDMMC2_PWREN_M1			
AP7	VOP_BT1120_D7/GMAC1_RXD0_M0/UART4_RX_M1/PWM8_M0/GPIO3_B1_d	GPIO3_B1_d	VOP_BT1120_D7	GMAC1_RXD0_M0	UART4_RX_M1	PWM8_M0		
AR6	VOP_BT1120_D8/GMAC1_RXD1_M0/UART4_TX_M1/PWM9_M0/GPIO3_B2_d	GPIO3_B2_d	VOP_BT1120_D8	GMAC1_RXD1_M0	UART4_TX_M1	PWM9_M0		
AP6	VOP_BT1120_D9/GMAC1_RXDV_CRIS_M0/I2C5_SCL_M0/PDM_SDI0_M2/GPIO3_B3_d	GPIO3_B3_d	VOP_BT1120_D9	GMAC1_RXDV_CRIS_M0	I2C5_SCL_M0	PDM_SDI0_M2		
1U3	VOP_BT1120_D10/GMAC1_RXER_M0/I2C5_SDA_M0/PDM_SDI1_M2/GPIO3_B4_d	GPIO3_B4_d	VOP_BT1120_D10	GMAC1_RXER_M0	I2C5_SDA_M0	PDM_SDI1_M2		
1T4	VOP_BT1120_D11/GMAC1_TXD0_M0/I2C3_SCL_M1/PWM10_M0/GPIO3_B5_d	GPIO3_B5_d	VOP_BT1120_D11	GMAC1_TXD0_M0	I2C3_SCL_M1	PWM10_M0		
1V2	VOP_BT1120_D12/GMAC1_TXD1_M0/I2C3_SDA_M1/PWM11_IR_M0/GPIO3_B6_d	GPIO3_B6_d	VOP_BT1120_D12	GMAC1_TXD1_M0	I2C3_SDA_M1	PWM11_IR_M0		
AP5	PWM12_M0/GMAC1_TXEN_M0/UART3_TX_M1/PDM_SDI2_M2/GPIO3_B7_d	GPIO3_B7_d	PWM12_M0	GMAC1_TXEN_M0	UART3_TX_M1	PDM_SDI2_M2		
AR4	PWM13_M0/GMAC1_MCLKINOUT_M0/UART3_RX_M1/PDM_SDI3_M2/GPIO3_C0_d	GPIO3_C0_d	PWM13_M0	GMAC1_MCLKINOUT_M0	UART3_RX_M1	PDM_SDI3_M2		
AP4	VOP_BT1120_D13/SPI1_MOSI_M1/PCIE20_PERSTn_M1/I2S1_SDO2_M2/GPIO3_C1_d	GPIO3_C1_d	VOP_BT1120_D13	SPI1_MOSI_M1	PCIE20_PERSTn_M1	I2S1_SDO2_M2		
AP3	VOP_BT1120_D14/SPI1_MISO_M1/UART5_TX_M1/I2S1_SDO3_M2/GPIO3_C2_d	GPIO3_C2_d	VOP_BT1120_D14	SPI1_MISO_M1	UART5_TX_M1	I2S1_SDO3_M2		
AR2	VOP_BT1120_D15/SPI1_CLK_M1/UART5_RX_M1/I2S1_SCLK_RX_M2/GPIO3_C3_d	GPIO3_C3_d	VOP_BT1120_D15	SPI1_CLK_M1	UART5_RX_M1	I2S1_SCLK_RX_M2		
1P3	PWM14_M0/VOP_PWM_M1/GMAC1_MDC_M0/UART7_TX_M1/PDM_CLK1_M2/GPIO3_C4_d	GPIO3_C4_d	PWM14_M0	VOP_PWM_M1	GMAC1_MDC_M0	UART7_TX_M1	PDM_CLK1_M2	
1P4	PWM15_IR_M0/SPDIF_TX_M1/GMAC1_MDIO_M0/UART7_RX_M1/I2S1_LRC_RX_M2/GPIO3_C5_d	GPIO3_C5_d	PWM15_IR_M0	SPDIF_TX_M1	GMAC1_MDIO_M0	UART7_RX_M1	I2S1_LRCK_RX_M2	
1T2	CIF_D0/EBC_SDDO0/SDMMC2_D0_M0/I2S1_MCLK_M1/VOP_BT656_D0_M1/GPIO3_C6_d	GPIO3_C6_d	CIF_D0	EBC_SDDO0	SDMMC2_D0_M0	I2S1_MCLK_M1	VOP_BT656_D0_M1	
VCCIO6	CIF_D1/EBC_SDDO1/SDMMC2_D1_M0/I2S1_SCLK_TX_M1/VOP_BT656_D1	GPIO3_C7_d	CIF_D1	EBC_SDDO1	SDMMC2_D1_M0	I2S1_SCLK_TX	VOP_BT656_D1	

PIN	PIN Name	Func1	Func2	Func3	Func4	Func5	Func6	Power Domain
6	_M1/GPIO3_C7_d					M1	D1_M1	
AP1	CIF_D2/EBC_SDDO2/SDMMC2_D2_M0/I2S1_LRCK_TX_M1/VOP_BT656_D2_M1/GPIO3_D0_d	GPIO3_D0_d	CIF_D2	EBC_SDDO2	SDMMC2_D2_M0	I2S1_LRCK_TX_M1	VOP_BT656_D2_M1	
AN2	CIF_D3/EBC_SDDO3/SDMMC2_D3_M0/I2S1_SDO0_M1/VOP_BT656_D3_M1/GPIO3_D1_d	GPIO3_D1_d	CIF_D3	EBC_SDDO3	SDMMC2_D3_M0	I2S1_SDO0_M1	VOP_BT656_D3_M1	
AM2	CIF_D4/EBC_SDDO4/SDMMC2_CMD_M0/I2S1_SDI0_M1/VOP_BT656_D4_M1/GPIO3_D2_d	GPIO3_D2_d	CIF_D4	EBC_SDDO4	SDMMC2_CMD_M0	I2S1_SDI0_M1	VOP_BT656_D4_M1	
AM1	CIF_D5/EBC_SDDO5/SDMMC2_CLK_M0/I2S1_SDI1_M1/VOP_BT656_D5_M1/GPIO3_D3_d	GPIO3_D3_d	CIF_D5	EBC_SDDO5	SDMMC2_CLK_M0	I2S1_SDI1_M1	VOP_BT656_D5_M1	
1R2	CIF_D6/EBC_SDDO6/SDMMC2_DET_M0/I2S1_SDI2_M1/VOP_BT656_D6_M1/GPIO3_D4_d	GPIO3_D4_d	CIF_D6	EBC_SDDO6	SDMMC2_DET_M0	I2S1_SDI2_M1	VOP_BT656_D6_M1	
1T1	CIF_D7/EBC_SDDO7/SDMMC2_PWREN_M0/I2S1_SDI3_M1/VOP_BT656_D7_M1/GPIO3_D5_d	GPIO3_D5_d	CIF_D7	EBC_SDDO7	SDMMC2_PWREN_M0	I2S1_SDI3_M1	VOP_BT656_D7_M1	
AL2	CIF_D8/EBC_SDDO8/GMAC1_TXD2_M1/UART1_TX_M1/PDM_CLK0_M1/GPIO3_D6_d	GPIO3_D6_d	CIF_D8	EBC_SDDO8	GMAC1_TXD2_M1	UART1_TX_M1	PDM_CLK0_M1	
AL1	CIF_D9/EBC_SDDO9/GMAC1_TXD3_M1/UART1_RX_M1/PDM_SDI0_M1/GPIO3_D7_d	GPIO3_D7_d	CIF_D9	EBC_SDDO9	GMAC1_TXD3_M1	UART1_RX_M1	PDM_SDI0_M1	
AK2	CIF_D10/EBC_SDDO10/GMAC1_TXCLK_M1/PDM_CLK1_M1/GPIO4_A0_d	GPIO4_A0_d	CIF_D10	EBC_SDDO10	GMAC1_TXCLK_M1	PDM_CLK1_M1		
1P2	CIF_D11/EBC_SDDO11/GMAC1_RXD2_M1/PDM_SDI1_M1/GPIO4_A1_d	GPIO4_A1_d	CIF_D11	EBC_SDDO11	GMAC1_RXD2_M1	PDM_SDI1_M1		
1R1	CIF_D12/EBC_SDDO12/GMAC1_RXD3_M1/UART7_TX_M2/PDM_SDI2_M1/GPIO4_A2_d	GPIO4_A2_d	CIF_D12	EBC_SDDO12	GMAC1_RXD3_M1	UART7_TX_M2	PDM_SDI2_M1	
AJ2	CIF_D13/EBC_SDDO13/GMAC1_RXCLK_M1/UART7_RX_M2/PDM_SDI3_M1/GPIO4_A3_d	GPIO4_A3_d	CIF_D13	EBC_SDDO13	GMAC1_RXCLK_M1	UART7_RX_M2	PDM_SDI3_M1	
1N2	CIF_D14/EBC_SDDO14/GMAC1_TXD0_M1/UART9_TX_M2/I2S2_LRCK_TX_M1/GPIO4_A4_d	GPIO4_A4_d	CIF_D14	EBC_SDDO14	GMAC1_TXD0_M1	UART9_TX_M2	I2S2_LRCK_TX_M1	
AJ1	CIF_D15/EBC_SDDO15/GMAC1_TXD1_M1/UART9_RX_M2/I2S2_LRCK_RX_M1/GPIO4_A5_d	GPIO4_A5_d	CIF_D15	EBC_SDDO15	GMAC1_TXD1_M1	UART9_RX_M2	I2S2_LRCK_RX_M1	
AH2	ISP_FLASHTRIGOUT/EBC_SDCE0/GMAC1_TXEN_M1/SPI3_CS0_M0/I2S1_SCLK_RX_M1/GPIO4_A6_d	GPIO4_A6_d	ISP_FLASHTRIGOUT	EBC_SDCE0	GMAC1_TXEN_M1	SPI3_CS0_M0	I2S1_SCLK_RX_M1	
1N1	CAM_CLKOUT0/EBC_SDCE1/GMAC1_RXD0_M1/SPI3_CS1_M0/I2S1_LRCK_RX_M1/GPIO4_A7_d	GPIO4_A7_d	CAM_CLKOUT0	EBC_SDCE1	GMAC1_RXD0_M1	SPI3_CS1_M0	I2S1_LRCK_RX_M1	
1L2	CAM_CLKOUT1/EBC_SDCE2/GMAC1_RXD1_M1/SPI3_MISO_M0/I2S1_SDO1_M1/GPIO4_B0_d	GPIO4_B0_d	CAM_CLKOUT1	EBC_SDCE2	GMAC1_RXD1_M1	SPI3_MISO_M0	I2S1_SDO1_M1	
AG2	ISP_PRELIGHT_TRIG/EBC_SDCE3/GMAC1_RXDV_CRIS_M1/I2S1_SDO2_M1/GPIO4_B1_d	GPIO4_B1_d	ISP_PRELIGHT_TRIG	EBC_SDCE3	GMAC1_RXDV_CRIS_M1	I2S1_SDO2_M1		
AF2	I2C4_SDA_M0/EBC_VCOM/GMAC1_RXER_M1/SPI3_MOSI_M0/I2S2_SDI_M1/GPIO4_B2_d	GPIO4_B2_d	I2C4_SDA_M0	EBC_VCOM	GMAC1_RXER_M1	SPI3_MOSI_M0	I2S2_SDI_M1	
AE2	I2C4_SCL_M0/EBC_GDOE/ETH1_REFCLKO_25M_M1/SPI3_CLK_M0/I2S2_SDO_M1/GPIO4_B3_d	GPIO4_B3_d	I2C4_SCL_M0	EBC_GDOE	ETH1_REFCLKO_25M_M1	SPI3_CLK_M0	I2S2_SDO_M1	
AF1	I2C2_SDA_M1/EBC_GDSP/ISP_FLASH_TRIGIN/VOP_BT656_CLK_M1/GPIO4_B4_d	GPIO4_B4_d	I2C2_SDA_M1	EBC_GDSP	ISP_FLASH_TRIGIN	VOP_BT656_CLK_M1		
AD1	I2C2_SCL_M1/EBC_SDSHR/I2S1_SDO3_M1/GPIO4_B5_d	GPIO4_B5_d	I2C2_SCL_M1	EBC_SDSHR	I2S1_SDO3_M1			
1L1	CIF_HREF/EBC_SDLE/GMAC1_MDC_M1/UART1_RTsn_M1/I2S2_MCLK_M1/GPIO4_B6_d	GPIO4_B6_d	CIF_HREF	EBC_SDLE	GMAC1_MDC_M1	UART1_RTsn_M1	I2S2_MCLK_M1	
AC2	CIF_VSYNC/EBC_SDOE/GMAC1_MDIO_M1/I2S2_SCLK_TX_M1/GPIO4_B7_d	GPIO4_B7_d	CIF_VSYNC	EBC_SDOE	GMAC1_MDIO_M1	I2S2_SCLK_TX_M1		
AB2	CIF_CLKOUT/EBC_GDCLK/PWM11_IR_M1/GPIO4_C0_d	GPIO4_C0_d	CIF_CLKOUT	EBC_GDCLK	PWM11_IR_M1			
AB1	CIF_CLKIN/EBC_SDCLK/GMAC1_MCLKINOUT_M1/UART1_CTSn_M1/I2S2_SCLK_RX_M1/GPIO4_C1_d	GPIO4_C1_d	CIF_CLKIN	EBC_SDCLK	GMAC1_MCLKINOUT_M1	UART1_CTSn_M1	I2S2_SCLK_RX_M1	
1U7	PWM14_M1/SPI3_CLK_M1/I2S3_MCLK_M1/GPIO4_C2_d	GPIO4_C2_d	PWM14_M1	SPI3_CLK_M1	I2S3_MCLK_M1			
VCCIO7	PWM15_IR_M1/SPI3_MOSI_M1/I2S3_SCLK_M1/GPIO4_C3_d	GPIO4_C3_d	PWM15_IR_M1	SPI3_MOSI_M1	I2S3_SCLK_M1			VCCIO7
1V6	EDP_HPDIIN_M0/SPDIF_TX_M2/SATA2_ACT_LED/I2S3_LRCK_M1/GPIO4_C4_d	GPIO4_C4_d	EDP_HPDIIN_M0	SPDIF_TX_M2	SATA2_ACT_LED	I2S3_LRCK_M1		VCCIO7
1U6	PWM12_M1/SPI3_MISO_M1/SATA1_ACT_LED/UART9_TX_M1/I2S3_SDO_M1/GPIO4_C5_d	GPIO4_C5_d	PWM12_M1	SPI3_MISO_M1	SATA1_ACT_LED	UART9_TX_M1	I2S3_SDO_M1	VCCIO7

PIN	PIN Name	Func1	Func2	Func3	Func4	Func5	Func6	Power Domain	
1T6	PWM13_M1/SPI3_CS0_M1/SATA0_ACT_LED/UART9_RX_M1/I2S3_SDI_M1/GPIO4_C6_d	GPIO4_C6_d	PWM13_M1	SPI3_CS0_M1	SATA0_ACT_LED	UART9_RX_M1	I2S3_SDI_M1		
AR12	HDMITX_SCL/I2C5_SCL_M1/GPIO4_C7_u	GPIO4_C7_u	HDMITX_SCL	I2C5_SCL_M1					
AP11	HDMITX_SDA/I2C5_SDA_M1/GPIO4_D0_u	GPIO4_D0_u	HDMITX_SDA	I2C5_SDA_M1					
1V5	HDMITX_CEC_M0/SPI3_CS1_M1/GPIO4_D1_u	GPIO4_D1_u	HDMITX_CEC_M0	SPI3_CS1_M1					
AP32	HDMI_TX_CLKN	HDMI_TX_CLKN						HDMI	
HDMI	HDMI_TX_CLKP	HDMI_TX_CLKP							
AR33	HDMI_TX_D0N	HDMI_TX_D0N							
AP33	HDMI_TX_D0P	HDMI_TX_D0P							
AP35	HDMI_TX_D1N	HDMI_TX_D1N							
AR35	HDMI_TX_D1P	HDMI_TX_D1P							
AR36	HDMI_TX_D2N	HDMI_TX_D2N							
AP36	HDMI_TX_D2P	HDMI_TX_D2P							
1V17	HDMI_TX_HPDIN	HDMI_TX_HPDIN							
1U16	HDMI_TX_REXT	HDMI_TX_REXT							
1U9	MIPI_CSI_RX_CLK0N	MIPI_CSI_RX_CLK0N						MIPI_CSI	
MIPI_CSI	MIPI_CSI_RX_CLK0P	MIPI_CSI_RX_CLK0P							
1U8	MIPI_CSI_RX_CLK1N	MIPI_CSI_RX_CLK1N							
1V8	MIPI_CSI_RX_CLK1P	MIPI_CSI_RX_CLK1P							
AR18	MIPI_CSI_RX_D0N	MIPI_CSI_RX_D0N							
AP18	MIPI_CSI_RX_D0P	MIPI_CSI_RX_D0P							
AP17	MIPI_CSI_RX_D1N	MIPI_CSI_RX_D1N							
AR17	MIPI_CSI_RX_D1P	MIPI_CSI_RX_D1P							
AR15	MIPI_CSI_RX_D2N	MIPI_CSI_RX_D2N							
AP15	MIPI_CSI_RX_D2P	MIPI_CSI_RX_D2P							
AP14	MIPI_CSI_RX_D3N	MIPI_CSI_RX_D3N							
AR14	MIPI_CSI_RX_D3P	MIPI_CSI_RX_D3P							
1V15	MIPI_DSI_TX0_CLKN/LVDS_TX0_CLKN	MIPI_DSI_TX0_CLKN	LVDS_TX0_CLKN						MIPI_DSI0/LVDS0
MIPI_DSI0/LVDS0	MIPI_DSI_TX0_CLKP/LVDS_TX0_CLKP	MIPI_DSI_TX0_CLKP	LVDS_TX0_CLKP						
AR30	MIPI_DSI_TX0_D0N/LVDS_TX0_D0N	MIPI_DSI_TX0_D0N	LVDS_TX0_D0N						
AP30	MIPI_DSI_TX0_D0P/LVDS_TX0_D0P	MIPI_DSI_TX0_D0P	LVDS_TX0_D0P						
AP29	MIPI_DSI_TX0_D1N/LVDS_TX0_D1N	MIPI_DSI_TX0_D1N	LVDS_TX0_D1N						
AR29	MIPI_DSI_TX0_D1P/LVDS_TX0_D1P	MIPI_DSI_TX0_D1P	LVDS_TX0_D1P						
AR27	MIPI_DSI_TX0_D2N/LVDS_TX0_D2N	MIPI_DSI_TX0_D2N	LVDS_TX0_D2N						
AP27	MIPI_DSI_TX0_D2P/LVDS_TX0_D2P	MIPI_DSI_TX0_D2P	LVDS_TX0_D2P						

PIN	PIN Name	Func1	Func2	Func3	Func4	Func5	Func6	Power Domain
		2P						
AP26	MIPI_DSI_TX0_D3N/LVDS_TX0_D3N	MIPI_DSI_TX0_D3N	LVDS_TX0_D3N					
AR26	MIPI_DSI_TX0_D3P/LVDS_TX0_D3P	MIPI_DSI_TX0_D3P	LVDS_TX0_D3P					
1U11	MIPI_DSI_TX1_CLKN	MIPI_DSI_TX1_CLKN						
MIPI_DSI1	MIPI_DSI_TX1_CLKP	MIPI_DSI_TX1_CLKP						
AR24	MIPI_DSI_TX1_D0N	MIPI_DSI_TX1_D0N						
AP24	MIPI_DSI_TX1_D0P	MIPI_DSI_TX1_D0P						
AP23	MIPI_DSI_TX1_D1N	MIPI_DSI_TX1_D1N						
AR23	MIPI_DSI_TX1_D1P	MIPI_DSI_TX1_D1P						
AR21	MIPI_DSI_TX1_D2N	MIPI_DSI_TX1_D2N						
AP21	MIPI_DSI_TX1_D2P	MIPI_DSI_TX1_D2P						
AP20	MIPI_DSI_TX1_D3N	MIPI_DSI_TX1_D3N						
AR20	MIPI_DSI_TX1_D3P	MIPI_DSI_TX1_D3P						
1H20	EDP_TX_AUXN	EDP_TX_AUXN						
EDP	EDP_TX_AUXP	EDP_TX_AUXP						
J38	EDP_TX_D0N	EDP_TX_D0N						
J37	EDP_TX_D0P	EDP_TX_D0P						
K37	EDP_TX_D1N	EDP_TX_D1N						
K38	EDP_TX_D1P	EDP_TX_D1P						
M38	EDP_TX_D2N	EDP_TX_D2N						
M37	EDP_TX_D2P	EDP_TX_D2P						
N38	EDP_TX_D3N	EDP_TX_D3N						
N37	EDP_TX_D3P	EDP_TX_D3P						
1K20	PCIE20_REFCLKN	PCIE20_REFCLKN						
PCIE	PCIE20_REFCLKP	PCIE20_REFCLKP						
AB38	PCIE20_RXN/SATA2_RXN	PCIE20_RXN	SATA2_RXN					
AB37	PCIE20_RXP/SATA2_RXP	PCIE20_RXP	SATA2_RXP					
AA38	PCIE20_TXN/SATA2_TXN	PCIE20_TXN	SATA2_TXN					
AA37	PCIE20_TXP/SATA2_TXP	PCIE20_TXP	SATA2_TXP					
1D17	SARADC_VINO	SARADC_VINO						
SARADC	SARADC_VIN1	SARADC_VIN1						
1B18	SARADC_VIN2	SARADC_VIN2						
1A19	SARADC_VIN3	SARADC_VIN3						
V1	USB_HOST2_DM	USB_HOST2_DM						
USB2	USB_HOST2_DP	USB_HOST2_DP						
Y1	USB_HOST3_DM	USB_HOST3_DM						
Y2	USB_HOST3_DP	USB_HOST3_DP						
1J20	USB3_HOST1_DM	USB3_HOST1_DM						
USB3	USB3_HOST1_DP	USB3_HOST1_DP						
V37	USB3_HOST1_SSRXN/SATA1_RXN	USB3_HOST1_SSRXN	SATA1_RXN					

PIN	PIN Name	Func1	Func2	Func3	Func4	Func5	Func6	Power Domain
V38	USB3_HOST1_SSRXP/SATA1_RXP	USB3_HOST1_SS RXP	SATA1_RXP					
W38	USB3_HOST1_SSTXN/SATA1_TXN	USB3_HOST1_SS TXN	SATA1_TXN					
W37	USB3_HOST1_SSTXP/SATA1_TXP	USB3_HOST1_SS TXP	SATA1_TXP					
R38	USB_OTG0_DM	USB_OTG0_DM						
R37	USB_OTG0_DP	USB_OTG0_DP						
T37	USB_OTG0_ID	USB_OTG0_ID						
T38	USB_OTG0_VBUSDET	USB_OTG0_VBUS DET						
1C7	DDR4_RESEtN/LPDDR4_RESEtN/DDR3_RESEtN/AC29	DDR4_RESEtN	LPDDR4_RESEtN	DDR3_RESEtN	AC29			
DDR	DDR_DM0_A/DDR4_DML_A/LPDDR4_DM0_A/DDR3_DM0/LPDDR3_DM1	DDR4_DML_A	LPDDR4_DM0_A	DDR3_DM0	LPDDR3_DM1			
1B8	DDR_DM0_B/DDR4_DMU_B/LPDDR4_DM0_B/DDR3_DM2/LPDDR3_DM0	DDR4_DMU_B	LPDDR4_DM0_B	DDR3_DM2	LPDDR3_DM0			
1G1	DDR_DM1_A/DDR4_DMU_A/LPDDR4_DM1_A/DDR3_DM1/LPDDR3_DM3	DDR4_DMU_A	LPDDR4_DM1_A	DDR3_DM1	LPDDR3_DM3			
1A11	DDR_DM1_B/DDR4_DML_B/LPDDR4_DM1_B/DDR3_DM3/LPDDR3_DM2	DDR4_DML_B	LPDDR4_DM1_B	DDR3_DM3	LPDDR3_DM2			
G2	DDR_DQ0_A/DDR4_DQ0_A/LPDDR4_DQ0_A/DDR3_DQ0/LPDDR3_DQ15	DDR4_DQ0_A	LPDDR4_DQ0_A	DDR3_DQ0	LPDDR3_DQ15			
B12	DDR_DQ0_B/DDR4_DQU7_B/LPDDR4_DQ0_B/DDR3_DQ16/LPDDR3_DQ1	DDR4_DQU7_B	LPDDR4_DQ0_B	DDR3_DQ16	LPDDR3_DQ1			
F2	DDR_DQ1_A/DDR4_DQ2_A/LPDDR4_DQ1_A/DDR3_DQ1/LPDDR3_DQ14	DDR4_DQ2_A	LPDDR4_DQ1_A	DDR3_DQ1	LPDDR3_DQ14			
B10	DDR_DQ1_B/DDR4_DQU5_B/LPDDR4_DQ1_B/DDR3_DQ17/LPDDR3_DQ5	DDR4_DQU5_B	LPDDR4_DQ1_B	DDR3_DQ17	LPDDR3_DQ5			
R2	DDR_DQ10_A/DDR4_DQU7_A/LPDDR4_DQ10_A/DDR3_DQ10/LPDDR3_DQ28	DDR4_DQU7_A	LPDDR4_DQ10_A	DDR3_DQ10	LPDDR3_DQ28			
A20	DDR_DQ10_B/DDR4_DQL4_B/LPDDR4_DQ10_B/DDR3_DQ26/LPDDR3_DQ22	DDR4_DQL4_B	LPDDR4_DQ10_B	DDR3_DQ26	LPDDR3_DQ22			
T2	DDR_DQ11_A/DDR4_DQU5_A/LPDDR4_DQ11_A/DDR3_DQ11/LPDDR3_DQ29	DDR4_DQU5_A	LPDDR4_DQ11_A	DDR3_DQ11	LPDDR3_DQ29			
B20	DDR_DQ11_B/DDR4_DQL6_B/LPDDR4_DQ11_B/DDR3_DQ27/LPDDR3_DQ23	DDR4_DQL6_B	LPDDR4_DQ11_B	DDR3_DQ27	LPDDR3_DQ23			
M1	DDR_DQ12_A/DDR4_DQU2_A/LPDDR4_DQ12_A/DDR3_DQ12/LPDDR3_DQ26	DDR4_DQU2_A	LPDDR4_DQ12_A	DDR3_DQ12	LPDDR3_DQ26			
A15	DDR_DQ12_B/DDR4_DQL7_B/LPDDR4_DQ12_B/DDR3_DQ28/LPDDR3_DQ16	DDR4_DQL7_B	LPDDR4_DQ12_B	DDR3_DQ28	LPDDR3_DQ16			
1F2	DDR_DQ13_A/DDR4_DQU4_A/LPDDR4_DQ13_A/DDR3_DQ13/LPDDR3_DQ31	DDR4_DQU4_A	LPDDR4_DQ13_A	DDR3_DQ13	LPDDR3_DQ31			DDR
B15	DDR_DQ13_B/DDR4_DQL5_B/LPDDR4_DQ13_B/DDR3_DQ29/LPDDR3_DQ17	DDR4_DQL5_B	LPDDR4_DQ13_B	DDR3_DQ29	LPDDR3_DQ17			
1F1	DDR_DQ14_A/DDR4_DQU6_A/LPDDR4_DQ14_A/DDR3_DQ14/LPDDR3_DQ30	DDR4_DQU6_A	LPDDR4_DQ14_A	DDR3_DQ14	LPDDR3_DQ30			
1C10	DDR_DQ14_B/DDR4_DQL1_B/LPDDR4_DQ14_B/DDR3_DQ30/LPDDR3_DQ20	DDR4_DQL1_B	LPDDR4_DQ14_B	DDR3_DQ30	LPDDR3_DQ20			
1G2	DDR_DQ15_A/DDR4_DQU0_A/LPDDR4_DQ15_A/DDR3_DQ15/LPDDR3_DQ27	DDR4_DQU0_A	LPDDR4_DQ15_A	DDR3_DQ15	LPDDR3_DQ27			
B16	DDR_DQ15_B/DDR4_DQL3_B/LPDDR4_DQ15_B/DDR3_DQ31/LPDDR3_DQ21	DDR4_DQL3_B	LPDDR4_DQ15_B	DDR3_DQ31	LPDDR3_DQ21			
F1	DDR_DQ2_A/DDR4_DQL4_A/LPDDR4_DQ2_A/DDR3_DQ2/LPDDR3_DQ10	DDR4_DQL4_A	LPDDR4_DQ2_A	DDR3_DQ2	LPDDR3_DQ10			
1A8	DDR_DQ2_B/DDR4_DQU3_B/LPDDR4_DQ2_B/DDR3_DQ18/LPDDR3_DQ6	DDR4_DQU3_B	LPDDR4_DQ2_B	DDR3_DQ18	LPDDR3_DQ6			
E1	DDR_DQ3_A/DDR4_DQL6_A/LPDDR4_DQ3_A/DDR3_DQ3/LPDDR3_DQ9	DDR4_DQL6_A	LPDDR4_DQ3_A	DDR3_DQ3	LPDDR3_DQ9			
1A7	DDR_DQ3_B/DDR4_DQU1_B/LPDDR4_DQ3_B/DDR3_DQ19/LPDDR3_DQ4	DDR4_DQU1_B	LPDDR4_DQ3_B	DDR3_DQ19	LPDDR3_DQ4			
M2	DDR_DQ4_A/DDR4_DQL7_A/LPDDR4_DQ4_A/DDR3_DQ4/LPDDR3_DQ13	DDR4_DQL7_A	LPDDR4_DQ4_A	DDR3_DQ4	LPDDR3_DQ13			
B13	DDR_DQ4_B/DDR4_DQU0_B/LPDDR4_DQ4_B/DDR3_DQ20/LPDDR3_DQ2	DDR4_DQU0_B	LPDDR4_DQ4_B	DDR3_DQ20	LPDDR3_DQ2			
K1	DDR_DQ5_A/DDR4_DQL5_A/LPDDR4_DQ5_A/DDR3_DQ5/LPDDR3_DQ12	DDR4_DQL5_A	LPDDR4_DQ5_A	DDR3_DQ5	LPDDR3_DQ12			
1A10	DDR_DQ5_B/DDR4_DQU6_B/LPDDR4_DQ5_B/DDR3_DQ21/LPDDR3_DQ3	DDR4_DQU6_B	LPDDR4_DQ5_B	DDR3_DQ21	LPDDR3_DQ3			
K2	DDR_DQ6_A/DDR4_DQL3_A/LPDDR4_DQ6_A/DDR3_DQ6/LPDDR3_DQ8	DDR4_DQL3_A	LPDDR4_DQ6_A	DDR3_DQ6	LPDDR3_DQ8			
1B9	DDR_DQ6_B/DDR4_DQU4_B/LPDDR4_DQ6_B/DDR3_DQ22/LPDDR3_DQ7	DDR4_DQU4_B	LPDDR4_DQ6_B	DDR3_DQ22	LPDDR3_DQ7			
1E1	DDR_DQ7_A/DDR4_DQL1_A/LPDDR4_DQ7_A/DDR3_DQ7/LPDDR3_DQ11	DDR4_DQL1_A	LPDDR4_DQ7_A	DDR3_DQ7	LPDDR3_DQ11			

PIN	PIN Name	Func1	Func2	Func3	Func4	Func5	Func6	Power Domain
1A9	DDR_DQ7_B/DDR4_DQU2_B/LPDDR4_DQ7_B/DDR3_DQ23/LPDDR3_DQ0	DDR4_DQU2_B	LPDDR4_DQ7_B	DDR3_DQ23	LPDDR3_DQ0			
P2	DDR_DQ8_A/DDR4_DQU3_A/LPDDR4_DQ8_A/DDR3_DQ8/LPDDR3_DQ25	DDR4_DQU3_A	LPDDR4_DQ8_A	DDR3_DQ8	LPDDR3_DQ25			
B19	DDR_DQ8_B/DDR4_DQLO_B/LPDDR4_DQ8_B/DDR3_DQ24/LPDDR3_DQ18	DDR4_DQLO_B	LPDDR4_DQ8_B	DDR3_DQ24	LPDDR3_DQ18			
R1	DDR_DQ9_A/DDR4_DQU1_A/LPDDR4_DQ9_A/DDR3_DQ9/LPDDR3_DQ24	DDR4_DQU1_A	LPDDR4_DQ9_A	DDR3_DQ9	LPDDR3_DQ24			
A19	DDR_DQ9_B/DDR4_DQL2_B/LPDDR4_DQ9_B/DDR3_DQ25/LPDDR3_DQ19	DDR4_DQL2_B	LPDDR4_DQ9_B	DDR3_DQ25	LPDDR3_DQ19			
H1	DDR_DQS0N_A/DDR4_DQSL_N_A/LPDDR4_DQS0N_A/DDR3_DQS0N/LPDDR3_DQS1N	DDR4_DQSL_N_A	LPDDR4_DQS0N_A	DDR3_DQS0N	LPDDR3_DQS1N			
A12	DDR_DQS0N_B/DDR4_DQSU_N_B/LPDDR4_DQS0N_B/DDR3_DQS2N/LPDDR3_DQS0N	DDR4_DQSU_N_B	LPDDR4_DQS0N_B	DDR3_DQS2N	LPDDR3_DQS0N			
H2	DDR_DQS0P_A/DDR4_DQSL_P_A/LPDDR4_DQS0P_A/DDR3_DQS0P/LPDDR3_DQS1P	DDR4_DQSL_P_A	LPDDR4_DQS0P_A	DDR3_DQS0P	LPDDR3_DQS1P			
A13	DDR_DQS0P_B/DDR4_DQSU_P_B/LPDDR4_DQS0P_B/DDR3_DQS2P/LPDDR3_DQS0P	DDR4_DQSU_P_B	LPDDR4_DQS0P_B	DDR3_DQS2P	LPDDR3_DQS0P			
N2	DDR_DQS1N_A/DDR4_DQSU_N_A/LPDDR4_DQS1N_A/DDR3_DQS1N/LPDDR3_DQS3N	DDR4_DQSU_N_A	LPDDR4_DQS1N_A	DDR3_DQS1N	LPDDR3_DQS3N			
B17	DDR_DQS1N_B/DDR4_DQSL_N_B/LPDDR4_DQS1N_B/DDR3_DQS3N/LPDDR3_DQS2N	DDR4_DQSL_N_B	LPDDR4_DQS1N_B	DDR3_DQS3N	LPDDR3_DQS2N			
N1	DDR_DQS1P_A/DDR4_DQSU_P_A/LPDDR4_DQS1P_A/DDR3_DQS1P/LPDDR3_DQS3P	DDR4_DQSU_P_A	LPDDR4_DQS1P_A	DDR3_DQS1P	LPDDR3_DQS3P			
A17	DDR_DQS1P_B/DDR4_DQSL_P_B/LPDDR4_DQS1P_B/DDR3_DQS3P/LPDDR3_DQS2P	DDR4_DQSL_P_B	LPDDR4_DQS1P_B	DDR3_DQS3P	LPDDR3_DQS2P			
A7	DDR4_A0/LPDDR4_CLKP_B/DDR3_A9/-/AC0	DDR4_A0	LPDDR4_CLKP_B	DDR3_A9	-			
1D2	DDR4_A1/-/DDR3_A2/-/AC1	DDR4_A1	-	DDR3_A2	-			
C1	DDR4_A2/LPDDR4_A1_A/DDR3_A4/LPDDR3_A6/AC2	DDR4_A2	LPDDR4_A1_A	DDR3_A4	LPDDR3_A6			
1C3	DDR4_A3/LPDDR4_CKE1_A/DDR3_A3/-/AC3	DDR4_A3	LPDDR4_CKE1_A	DDR3_A3	-			
1B6	DDR4_A4/LPDDR4_A3_B/DDR3_BA1/LPDDR3_A3/AC4	DDR4_A4	LPDDR4_A3_B	DDR3_BA1	LPDDR3_A3			
B8	DDR4_A5/LPDDR4_A5_B/DDR3_A11/LPDDR3_A2/AC5	DDR4_A5	LPDDR4_A5_B	DDR3_A11	LPDDR3_A2			
B9	DDR4_A6/LPDDR4_A1_B/DDR3_A13/LPDDR3_A1/AC6	DDR4_A6	LPDDR4_A1_B	DDR3_A13	LPDDR3_A1			
A10	DDR4_A7/LPDDR4_ODT0_CA_B/DDR3_A8/-/AC7	DDR4_A7	LPDDR4_ODT0_CA_B	DDR3_A8	-			
E2	DDR4_A8/LPDDR4_ODT0_CA_A/DDR3_A6/LPDDR3_A9/AC8	DDR4_A8	LPDDR4_ODT0_CA_A	DDR3_A6	LPDDR3_A9			
B7	DDR4_A9/LPDDR4_CLKN_B/DDR3_A5/-/AC9	DDR4_A9	LPDDR4_CLKN_B	DDR3_A5	-			
1A3	DDR4_A10/LPDDR4_CKE0_B/DDR3_A10/-/AC10	DDR4_A10	LPDDR4_CKE0_B	DDR3_A10	-			
C2	DDR4_A11/LPDDR4_A0_A/DDR3_A7/LPDDR3_A8/AC11	DDR4_A11	LPDDR4_A0_A	DDR3_A7	LPDDR3_A8			
1B3	DDR4_A12/LPDDR4_A3_A/DDR3_BA2/-/AC12	DDR4_A12	LPDDR4_A3_A	DDR3_BA2	-			
A9	DDR4_A13/LPDDR4_A0_B/DDR3_A14/LPDDR3_A0/AC13	DDR4_A13	LPDDR4_A0_B	DDR3_A14	LPDDR3_A0			
1B1	DDR4_A14_WEn/LPDDR4_A4_A/DDR3_A15/LPDDR3_A5/AC14	DDR4_A14_WEn	LPDDR4_A4_A	DDR3_A15	LPDDR3_A5			
1C1	DDR4_A15_CASn/LPDDR4_A2_A/DDR3_A0/-/AC15	DDR4_A15_CASn	LPDDR4_A2_A	DDR3_A0	-			
1A1	DDR4_A16_RASn/LPDDR4_A5_A/DDR3_RASn/LPDDR3_A7/AC16	DDR4_A16_RASn	LPDDR4_A5_A	DDR3_RASn	LPDDR3_A7			
1A2	DDR4_ACTn/LPDDR4_CKE1_B/DDR3_CASn/-/AC17	DDR4_ACTn	LPDDR4_CKE1_B	DDR3_CASn	-			
1B7	DDR4_BA0/LPDDR4_A2_B/DDR3_A1/-/AC18	DDR4_BA0	LPDDR4_A2_B	DDR3_A1	-			
1A6	DDR4_BA1/LPDDR4_A4_B/DDR3_A12/LPDDR3_A4/AC19	DDR4_BA1	LPDDR4_A4_B	DDR3_A12	LPDDR3_A4			
1A4	DDR4_BG0/LPDDR4_ODT1_CA_B/DDR3_WEn/-/AC20	DDR4_BG0	LPDDR4_ODT1_CA_B	DDR3_WEn	-			
1C2	DDR4_BG1/LPDDR4_ODT1_CA_A/DDR3_BA0/-/AC21	DDR4_BG1	LPDDR4_ODT1_CA_A	DDR3_BA0	-			
B4	DDR4_CKE/LPDDR4_CKE0_A/DDR3_CKE/LPDDR3_CKE/AC22	DDR4_CKE	LPDDR4_CKE0_A	DDR3_CKE	LPDDR3_CKE			
B5	DDR4_CLKN/LPDDR4_CLKN_A/DDR3_CLKN/LPDDR3_CLKN/AC24	DDR4_CLKN	LPDDR4_CLKN_A	DDR3_CLKN	LPDDR3_CLKN			
A5	DDR4_CLKP/LPDDR4_CLKP_A/DDR3_CLKP/LPDDR3_CLKP/AC23	DDR4_CLKP	LPDDR4_CLKP_A	DDR3_CLKP	LPDDR3_CLKP			

PIN	PIN Name	Func1	Func2	Func3	Func4	Func5	Func6	Power Domain
B3	DDR4_CS0n/LPDDR4_CS0n_A/DDR3_ODT1/LPDDR3_ODT0/AC25	DDR4_CS0n	LPDDR4_CS0n_A	DDR3_ODT1	LPDDR3_ODT0			
A3	DDR4_CS1n/LPDDR4_CS1n_A/DDR3_CS1n/LPDDR3_ODT1/AC26	DDR4_CS1n	LPDDR4_CS1n_A	DDR3_CS1n	LPDDR3_ODT1			
1A5	DDR4_ODT0/LPDDR4_CS1n_B/DDR3_ODT0/LPDDR3_CS1n/AC27	DDR4_ODT0	LPDDR4_CS1n_B	DDR3_ODT0	LPDDR3_CS1n			
1B5	DDR4_ODT1/LPDDR4_CS0n_B/DDR3_CS0n/LPDDR3_CS0n/AC28	DDR4_ODT1	LPDDR4_CS0n_B	DDR3_CS0n	LPDDR3_CS0n			
1F3	DDR_RZQ	DDR_RZQ						
1H3	DDR_VREFOUT	DDR_VREFOUT						

Table 2-3 Function IO description

Notes:

- ① Pad types: I = digital-input, O = digital-output, I/O = digital input/output (bidirectional), A=Analog IO
- ② Def default IO direction for digital IO
- ③ Output Drive Unit is mA, only Digital IO has drive value;
- ④ INT: interrupt support.

Rockchip Confidential



## 2.8 IO Pin Name Description

This sub-chapter will focus on the detailed function description of every pins based on different interface.

Table 2-4 IO function description list

Interface	Pin Name	Dir.	Description
Misc	XIN24M	I	Clock input of 24MHz crystal
	XOUT24M	O	Clock output of 24MHz crystal
	NPOR	I	Chip hardware reset
	CLK32K_IN	I	32K clock input
	CLK32K_OUT	O	32K clock output

Interface	Pin Name	Dir.	Description
SWJ-DP	ARMJTAG_TCK	I	SWD interface clock input
	ARMJTAG_TMS	I/O	SWD interface data inout

Interface	Pin Name	Dir.	Description
MCU_JTAG	MCU_JTAGTCK	I	JTAG interface clock input
	MCU_JTAGTRST	I	JTAG interface reset input
	MCU_JTAGTMS	I	JTAG interface TMS input
	MCU_JTAGTDO	O	JTAG interface TDO
	MCU_JTAGTDI	I	JTAG interface TDI

Interface	Pin Name	Dir.	Description
SD/MMC Host Controller	SDMMC[i]_CLK( $i=0\sim 2$ )	O	sdmmc card clock
	SDMMC[i]_CMD( $i=0\sim 2$ )	I/O	sdmmc card command output and response input
	SDMMC[i]_D[j]( $i=0\sim 2$ , $j=0\sim 3$ )	I/O	sdmmc card data input and output
	SDMMC[i]_DET( $i=0\sim 2$ )	I	sdmmc card detect signal, 0 represents presence of card

Interface	Pin Name	Dir.	Description
eMMC Interface	EMMC_CLKOUT	O	emmc card clock
	EMMC_CMD	I/O	emmc card command output and response input
	EMMC_D[i]( $i=0\sim 7$ )	I/O	emmc card data input and output

Interface	Pin Name	Dir.	Description
Nand Flash Interface	FLASH_ALE	O	Flash address latch enable signal
	FLASH_CLE	O	Flash command latch enable signal
	FLASH_WRN	O	Flash write enable and clock signal
	FLASH_RDN	O	Flash read enable and write/read signal
	FLASH_D[i] ( $i=0\sim 7$ )	I/O	Flash data inputs/outputs signal
	FLASHx_DQS	I/O	Flash data strobe signal
	FLASHx_RDY	I	Flash ready/busy signal

Interface	Pin Name	Dir.	Description
	FLASHx_CSN[i]=0~1)	O	Flash chip enable signal for chip i, i=0~7

Interface	Pin Name	Dir.	Description
FSPI Controller	FSPI_CLK	I/O	FSPI serial clock
	FSPI_CSN[i] (i=0)	I/O	FSPI chip select signal, low active
	FSPI_SIO[i] (i=0,3)	O	FSPI serial data inout

Interface	Pin Name	Dir.	Description
I2S1/PCM Controller	I2S1_MCLK	O	I2S/PCM clock source
	I2S1_SCLKTX	I/O	I2S/PCM serial clock for transmit data
	I2S1_SCLKRX	I/O	I2S/PCM serial clock for receive data
	I2S1_LRCKRX	I/O	I2S/PCM left & right channel signal for receiving serial data, synchronous left & right channel in I2S mode and the beginning of a group of left & right channels in PCM mode
	I2S1_LRCKTX	I/O	I2S/PCM left & right channel signal for transmitting serial data, synchronous left & right channel in I2S mode and the beginning of a group of left & right channels in PCM mode
	I2S1_SDI[i](i=1~3)	I	I2S/PCM serial data input
	I2S1_SDO[i](i=1~3)	O	I2S/PCM serial data output

Interface	Pin Name	Dir.	Description
I2S2/PCM Controller	I2S2_MCLK	O	I2S/PCM clock source
	I2S2_SCLKRX	I/O	I2S/PCM serial clock for receive data
	I2S2_SCLKTX	I/O	I2S/PCM serial clock for transmit data
	I2S2_LRCKRX	I/O	I2S/PCM left & right channel signal for receiving serial data, synchronous left & right channel in I2S mode and the beginning of a group of left & right channels in PCM mode
	I2S2_LRCKTX	I/O	I2S/PCM left & right channel signal for transmitting serial data, synchronous left & right channel in I2S mode and the beginning of a group of left & right channels in PCM mode
	I2S2_SDI	I	I2S/PCM serial data input
	I2S2_SDO	O	I2S/PCM serial data output

Interface	Pin Name	Dir.	Description
I2S3/PCM Controller	I2S3_MCLK	O	I2S/PCM clock source
	I2S3_SCLKRX	I/O	I2S/PCM serial clock for receive data
	I2S3_SCLKTX	I/O	I2S/PCM serial clock for transmit data
	I2S3_LRCKRX	I/O	I2S/PCM left & right channel signal for receiving serial data, synchronous left & right channel in I2S mode and the beginning of a group of left & right channels in PCM mode
	I2S3_LRCKTX	I/O	I2S/PCM left & right channel signal for transmitting serial data, synchronous left & right channel in I2S mode and the beginning of a group of left & right channels in PCM mode
	I2S3_SDI	I	I2S/PCM serial data input
	I2S3_SDO	O	I2S/PCM serial data output

Interface	Pin Name	Dir.	Description
SPDIF	SPDIF_TX	O	S/SPDIF data output

Interface	Pin Name	Dir.	Description
PDM	PDM_CLK	O	PDM sampling clock
	PDM_SDI[i](i=0~3)	I	PDM data

Interface	Pin Name	Dir.	Description
CAN	CAN_RXD	I	CAN receive data
	CAN_TXD	O	CAN transmit data

Interface	Pin Name	Dir.	Description
Digital Audio CODEC	ACODEC_DAC_CLK	O	CODEC DAC clock output signal
	ACODEC_ADC_CLK	O	CODEC ADC clock output signal
	ACODEC_DAC_SYNC	O	CODEC DAC synchronous signal
	ACODEC_ADC_SYNC	O	CODEC ADC synchronous signal
	ACODEC_DAC_DATAR	O	CODEC DAC right channel data
	ACODEC_DAC_DATAL	O	CODEC DAC left channel data
	ACODEC_ADC_DATA	I	CODEC ADC data

Interface	Pin Name	Dir.	Description
Smart Card	SCR_CLK	O	Smart Card clock
	SCR_RST	O	Smart Card reset
	SCR_DET	I	Smart Card detect
	SCR_IO	I/O	Smart Card data

Interface	Pin Name	Dir.	Description
SPI0	SPI0_CLK	I/O	SPI serial clock
	SPI0_CSN[i](i=0)	I/O	SPI chip select signal, low active
	SPI0_MOSI	I/O	SPI serial data
	SPI0_MISO	I/O	SPI serial data

Interface	Pin Name	Dir.	Description
SPI1	SPI1_CLK	I/O	SPI serial clock
	SPI1_CSN[i](i=0,1)	I/O	SPI chip select signal, low active
	SPI1_MOSI	I/O	SPI serial data
	SPI1_MISO	I/O	SPI serial data

Interface	Pin Name	Dir.	Description
SPI2	SPI2_CLK	I/O	SPI serial clock

Interface	Pin Name	Dir.	Description
	SPI2_CSN[i](i=0,1)	I/O	SPI chip select signal, low active
	SPI2_MOSI	I/O	SPI serial data
	SPI2_MISO	I/O	SPI serial data

Interface	Pin Name	Dir.	Description
SPI3	SPI3_CLK	I/O	SPI serial clock
	SPI3_CSN[i](i=0,1)	I/O	SPI chip select signal, low active
	SPI3_MOSI	I/O	SPI serial data
	SPI3_MISO	I/O	SPI serial data

Interface	Pin Name	Dir.	Description
PWM	PWM0	I/O	Pulse Width Modulation input and output
	PWM1	I/O	Pulse Width Modulation input and output
	PWM2	I/O	Pulse Width Modulation input and output
	PWM3_IR	I/O	Pulse Width Modulation input and output, used for IR application recommended
	PWM4	I/O	Pulse Width Modulation input and output
	PWM5	I/O	Pulse Width Modulation input and output
	PWM6	I/O	Pulse Width Modulation input and output
	PWM7_IR	I/O	Pulse Width Modulation input and output, used for IR application recommended
	PWM8	I/O	Pulse Width Modulation input and output
	PWM9	I/O	Pulse Width Modulation input and output
	PWM10	I/O	Pulse Width Modulation input and output
	PWM11_IR	I/O	Pulse Width Modulation input and output, used for IR application recommended
	PWM12	I/O	Pulse Width Modulation input and output
	PWM13	I/O	Pulse Width Modulation input and output
	PWM14	I/O	Pulse Width Modulation input and output
PWM15_IR	I/O	Pulse Width Modulation input and output, used for IR application recommended	

Interface	Pin Name	Dir.	Description
I2C	I2C[i]_SDA(i=0,1,2,3,4,5)	I/O	I2C data
	I2C[i]_SCL(i=0,1,2,3,4,5)	I/O	I2C clock

Interface	Pin Name	Dir.	Description
UART	UART[i]_RX(i=0~9)	I	UART serial data input
	UART[i]_TX(i=0~9)	O	UART serial data output
	UART[i]_CTS(i=0~9)	I	UART clear to send modem status input
	UART[i]_RTS(i=0~9)	O	UART modem control request to send output

Interface	Pin Name	Dir.	Description
GMAC	GMAC1_CLK	I/O	RMII REC_CLK output or GMAC external clock input
	GMAC1_TXCLK	O	RGMII TX clock output
	GMAC1_RXCLK	I	RGMII RX clock input
	GMAC1_MDC	O	GMAC management interface clock
	GMAC1_MDIO	I/O	GMAC management interface data
	GMAC1_TXD <i>(j=0~3)</i>	O	GMAC TX data
	GMAC1_RXD <i>[j](j=0~3)</i>	I	GMAC RX data
	GMAC1_TXEN	O	GMAC TX data enable
	GMAC1_RXDV	I	GMAC RX data valid signal
	GMAC1_RXER	I	GMAC RX error signal
	GMAC1_COL	I	PHY Collision signal
	GMAC1_CRS	I	PHY CRS signal

Interface	Pin Name	Dir.	Description
MIPI_DSI0	MIPI_DSI_TX0_D <i>[i]N</i> <i>(i=0~3)</i>	O	MIPI DSI negative differential data line transceiver output
	MIPI_DSI_TX0_D <i>[i]P</i> <i>(i=0~3)</i>	O	MIPI DSI positive differential data line transceiver output
	MIPI_DSI_TX0_CLKP	O	MIPI DSI positive differential clock line transceiver output
	MIPI_DSI_TX0_CLKN	O	MIPI DSI negative differential clock line transceiver output

Interface	Pin Name	Dir.	Description
MIPI_DSI1	MIPI_DSI_TX1_D <i>[i]N</i> <i>(i=0~3)</i>	O	MIPI DSI negative differential data line transceiver output
	MIPI_DSI_TX1_D <i>[i]P</i> <i>(i=0~3)</i>	O	MIPI DSI positive differential data line transceiver output
	MIPI_DSI_TX1_CLKP	O	MIPI DSI positive differential clock line transceiver output
	MIPI_DSI_TX1_CLKN	O	MIPI DSI negative differential clock line transceiver output

Interface	Pin Name	Dir.	Description
LVDS0	LVDS_TX0_D <i>[i]N</i> <i>(i=0~3)</i>	O	LVDS negative differential data line transceiver output
	LVDS_TX0_D <i>[i]P</i> <i>(i=0~3)</i>	O	LVDS positive differential data line transceiver output
	LVDS_TX0_CLKP	O	LVDS positive differential clock line transceiver output
	LVDS_TX0_CLKN	O	LVDS negative differential clock line transceiver output

Interface	Pin Name	Dir.	Description
MIPI_CSI	MIPI_CSI_D[i]N (i=0~3)	I	MIPI CSI negative differential data line transceiver output
	MIPI_CSI_D[i]P (i=0~3)	I	MIPI CSI positive differential data line transceiver output
	MIPI_CSI_CLK[i]P(i=0~1)	I	MIPI CSI positive differential clock line transceiver output
	MIPI_CSI_CLK[i]N(i=0~1)	I	MIPI CSI negative differential clock line transceiver output

Interface	Pin Name	Dir.	Description
Camera Interface	CIF_CLKIN	I	Camera interface input pixel clock
	CAM_CLKOUT0	O	Camera interface output work clock
	CAM_CLKOUT1	O	Camera interface output work clock
	CIF_VSYNC	I	Camera interface vertical sync signal
	CIF_HREF	I	Camera interface horizontal sync signal
	CIF_D[i](i=0~15)	I	Camera interface input pixel data

Interface	Pin Name	Dir.	Description
PCIe2	PCIe20_REFCLKN PCIe20_REFCLKP	I/O	100MHz differential reference clock for PCIe peripheral
	PCIe20_TXN PCIe20_TXP	O	PCIe differential data output signals
	PCIe20_RXN PCIe20_RXP	I	PCIe differential data input signals
	PCIe20_BUTTONRSTN	I	PCIe Reset request
	PCIe20_WAKENM0	I/O	PCIe wake up
	PCIe20_PERSTNM0	I	PCIe warm reset request
	PCIe20_CLKREQN	I	PCIe clock request from PCIe peripheral

Interface	Pin Name	Dir.	Description
USB 2.0	USB_HOST2_DP	I/O	USB 2.0 Data signal DP
	USB_HOST2_DM	I/O	USB 2.0 Data signal DM
	USB_HOST3_DP	I/O	USB 2.0 Data signal DP
	USB_HOST3_DM	I/O	USB 2.0 Data signal DM

Interface	Pin Name	Dir.	Description
USB OTG	USB_OTG0_DP	I/O	USB 2.0 Data signal DP
	USB_OTG0_DM	I/O	USB 2.0 Data signal DM
	USB_OTG0_VBUSDET	I	Insert detect when act as USB device
	USB_OTG0_ID	I	USB Mini-Receptacle Identifier

Interface	Pin Name	Dir.	Description
USB3 Host	USB3_HOST1_SSTXP USB3_HOST1_SSTXN	O	USB 3.0 transmission signal DP/DM,
	USB3_HOST1_SSRXP USB3_HOST1_SSRXN	I	USB 3.0 receive signal DP/DM
	USB3_HOST1_DP	I/O	USB 2.0 Data signal DP
	USB3_HOST1_DM	I/O	USB 2.0 Data signal DM

Interface	Pin Name	Dir.	Description
eDP	EDP_TX[i]P(i=0~3)	O	eDP data lane positive output
	EDP_TX[i]N(i=0~3)	O	eDP data lane negative output
	EDP_AUXP	I/O	eDP CH-AUX positive differential output
	EDP_AUXN	I/O	eDP CH-AUX negative differential output

Interface	Pin Name	Dir.	Description
HDMI	HDMI_TX_D[i]N(i=0~2)	O	HDMI negative TMDS differential line driver data output
	HDMI_X_D[i]P(i=0~2)	O	HDMI positive TMDS differential line driver data output
	HDMI_TX_CLKN	O	HDMI negative TMDS differential line driver clock output
	HDMI_TX_CLKP	O	HDMI positive TMDS differential line driver clock output
	HDMI_TX_REXT	I/O	HDMI reference resistor connection
	HDMI_TX_HPDIN	I/O	HDMI hot plug detect signal
	HDMITX_SDA	I/O	I2C data line for HDMI
	HDMITX_SCL	I/O	I2C clock line for HDMI
	HDMITX_CEC	I/O	HDMI CEC signal

Interface	Pin Name	Dir.	Description
	ISP_FLASHTRIGOUT	O	Hold signal for flash light
	ISP_PRELIGHTTRIG	O	Hold signal for prelight
	ISP_FLASHTRIGIN	I	External flash trigger pulse

Interface	Pin Name	Dir.	Description
DDR3 Interface	DDR3_CLKP	O	Active-high clock signal to the memory device.
	DDR3_CLKN	O	Active-low clock signal to the memory device.
	DDR3_CKE	O	Active-high clock enable signal to the memory device
	DDR3_CSN[i] (i=0,1)	O	Active-low chip select signal to the memory device.
	DDR3_RASn	O	Active-low row address strobe to the memory device.
	DDR3_CASn	O	Active-low column address strobe to the memory device.

Interface	Pin Name	Dir.	Description
	DDR3_WEn	O	Active-low write enable strobe to the memory device.
	DDR3_BA[i] (i=0,1,2)	O	Bank address signal to the memory device.
	DDR3_A[i] (i=0~15)	O	Address signal to the memory device.
	DDR3_DQ[i] (i=0~31)	I/O	BiDir.al data line to the memory device.
	DDR3_DQS[i]_P (i=0~3)	I/O	Active-high biDir.al data strobes to the memory device.
	DDR3_DQS[i]_N (i=0~3)	I/O	Active-low biDir.al data strobes to the memory device.
	DDR3_DM[i] (i=0~3)	O	Active-low data mask signal to the memory device.
	DDR3_ODT[i] (i=0,1)	O	On-Die Termination output signal for two chip select.
	DDR3_RESEtN	O	Reset signal to the memory device

Interface	Pin Name	Dir.	Description
DDR4 Interface	DDR4_CLKP	O	Active-high clock signal to the memory device.
	DDR4_CLKN	O	Active-low clock signal to the memory device.
	DDR4_CKE	O	Active-high clock enable signal to the memory device
	DDR4_CS[i]n (i=0,1)	O	Active-low chip select signal to the memory device. A
	DDR4_BA[i] (i=0,1)	O	Bank address signal to the memory device.
	DDR4_BG[i] (i=0,1)	O	Bank address signal to the memory device.
	DDR4_A[i] (i=0~13)	O	Address signal to the memory device.
	DDR4_A14_Wen	O	Address signal to the memory device/Active-low write enable strobe to the memory device.
	DDR4_A15_CASn	O	Address signal to the memory device/Active-low column address strobe to the memory device.
	DDR4_A16_RASn	O	Address signal to the memory device/Active-low row address strobe to the memory device.
	DDR4_DQL_A[i] (i=0~7)	I/O	BiDir.al data line to the memory device.
	DDR4_DQH_A[i] (i=0~7)	I/O	BiDir.al data line to the memory device.
	DDR4_DQSL_P_A	I/O	Active-high biDir.al data strobes to the memory device.
	DDR4_DQSL_N_A	I/O	Active-low biDir.al data strobes to the memory device.
	DDR4_DQSH_P_A	I/O	Active-high biDir.al data strobes to the memory device.
	DDR4_DQSH_N_A	I/O	Active-low biDir.al data strobes to the memory device.
	DDR4_DML_A	O	Active-low data mask signal to the memory device.
	DDR4_DMH_A	O	Active-low data mask signal to the memory device.
	DDR4_DQL_B[i] (i=0~7)	I/O	BiDir.al data line to the memory device.



Interface	Pin Name	Dir.	Description
	DDR4_DQH_B[i] (i=0~7)	I/O	BiDir.al data line to the memory device.
	DDR4_DQSL_P_B	I/O	Active-high biDir.al data strobes to the memory device.
	DDR4_DQSL_N_B	I/O	Active-low biDir.al data strobes to the memory device.
	DDR4_DQSH_P_B	I/O	Active-high biDir.al data strobes to the memory device.
	DDR4_DQSH_N_B	I/O	Active-low biDir.al data strobes to the memory device.
	DDR4_DML_B	O	Active-low data mask signal to the memory device.
	DDR4_DMH_B	O	Active-low data mask signal to the memory device.
	DDR4_ODT[i] (i=0,1)	O	On-Die Termination output signal for two chip select.
	DDR4_RESETh	O	Reset signal to the memory device

Interface	Pin Name	Dir.	Description
LPDDR3 Interface	LPDDR3_CLKP	O	Active-high clock signal to the memory device.
	LPDDR3_CLKN	O	Active-low clock signal to the memory device.
	LPDDR3_CKE	O	Active-high clock enable signal to the memory device
	LPDDR3_CS[i]n (i=0,1)	O	Active-low chip select signal to the memory device. AThere are two chip select.
	LPDDR3_A[i] (i=0~9)	O	Address signal to the memory device.
	LPDDR3_DQ[i] (i=0~31)	I/O	BiDir.al data line to the memory device.
	LPDDR3_DQS[i]_P (i=0~3)	I/O	Active-high biDir.al data strobes to the memory device.
	LPDDR3_DQS[i]_N (i=0~3)	I/O	Active-low biDir.al data strobes to the memory device.
	LPDDR3_DM[i](i=0~3)	O	Active-low data mask signal to the memory device.
	LPDDR3_ODT[i] (i=0,1)	O	On-Die Termination output signal for two chip select.
LPDDR3_RESETh	O	LPDDR3/DDR4 reset signal to the memory device	

Interface	Pin Name	Dir.	Description
LPDDR4 /LPDDR4X Interface	LPDDR4_CLKP_A	O	Active-high clock signal to the memory device.
	LPDDR4_CLKN_A	O	Active-low clock signal to the memory device.
	LPDDR4_CKE0_A	O	Active-high clock enable signal to the memory device
	LPDDR4_CKE1_A	O	Active-high clock enable signal to the memory device
	LPDDR4_CS[i]n_A (i=0,1)	O	Active-low chip select signal to the memory device. AThere are two chip select.
	LPDDR4_A[i] (i=0~15)	O	Address signal to the memory device.

<b>Interface</b>	<b>Pin Name</b>	<b>Dir.</b>	<b>Description</b>
	LPDDR4_DQ[i]_A (i=0~15)	I/O	BiDir.al data line to the memory device.
	LPDDR4_DQS[i]P_A (i=0,1)	I/O	Active-high biDir.al data strobes to the memory device.
	LPDDR4_DQS[i]N_A (i=0,1)	I/O	Active-low biDir.al data strobes to the memory device.
	LPDDR4_DM[i](i=0~3)	O	Active-low data mask signal to the memory device.
	LPDDR4_ODT[i]_CA_A (i=0,1)	O	On-Die Termination output signal for two chip select.
	LPDDR4_CLKP_B	O	Active-high clock signal to the memory device.
	LPDDR4_CLKN_B	O	Active-low clock signal to the memory device.
	LPDDR4_CKE0_B	O	Active-high clock enable signal to the memory device
	LPDDR4_CKE1_B	O	Active-high clock enable signal to the memory device
	LPDDR4_CS[i]n_B (i=0,1)	O	Active-low chip select signal to the memory device.
	LPDDR4_B[i] (i=0~15)	O	Address signal to the memory device.
	LPDDR4_DQ[i]_B (i=0~15)	I/O	BiDir.al data line to the memory device.
	LPDDR4_DQS[i]P_B (i=0,1)	I/O	Active-high biDir.al data strobes to the memory device.
	LPDDR4_DQS[i]N_B (i=0,1)	I/O	Active-low biDir.al data strobes to the memory device.
	LPDDR4_DM[i] (i=0~3)	O	Active-low data mask signal to the memory device.
	LPDDR4_ODT[i]_CA_B (i=0,1)	O	On-Die Termination output signal for two chip select.
	LPDDR4_RESETh	O	Reset signal to the memory device

## Chapter 3 Electrical Specification

### 3.1 Absolute Ratings

The below table provides the absolute ratings.

Absolute maximum ratings specify the values beyond which the device may be damaged permanently. Long-term exposure to absolute maximum ratings conditions may affect device reliability.

Absolute minimum ratings specify the values beyond which the device may be damaged permanently. Long-term exposure to absolute minimum ratings conditions may affect device reliability.

Table 3-1 Absolute ratings

Parameters	Related Power Group	Min	Max	Unit
Supply voltage for CPU	VDD_CPU	-0.3	1.2	V
Supply voltage for GPU	VDD_GPU	-0.3	1.2	V
Supply voltage for NPU	VDD_NPU	-0.3	1.2	V
Supply voltage for core logic	VDD_LOGIC	-0.3	1.1	V
0.9V supply voltage	PMU_VDD_LOGIC_0V9 PMUPLL_AVDD_0V9 USB_AVDD2_0V9 USB_AVDD1_0V9 MULTI_PHY_AVDD_0V9 MIPI_CSI_RX_AVDD_0V9 MIPI_DSI_TX0/LVDS_TX0_AVDD_0V9 MIPI_DSI_TX1 EDP_TX_AVDD_0V9 HDMI_TX_AVDD_0V9	-0.3	1.1	V
1.8V supply voltage	PMUPLL_AVDD_1V8 SYSPLL_AVDD_1V8 MULTI_PHY_AVDD_1V8 USB_AVDD2_1V8 USB_AVDD1_1V8 MULTI_PHY_AVDD_1V8 MIPI_CSI_RX_AVDD_1V8 MIPI_DSI_TX0/LVDS_TX0_AVDD_1V8 MIPI_DSI_TX1/LVDS_TX1_AVDD_1V8 EDP_TX_AVDD_1V8 HDMI_TX_AVDD_1V8 OTP_VCC_1V8	-0.3	1.98	V
3.3V supply voltage	USB_AVDD2_3V3 USB_AVDD1_3V3	-0.3	3.63	V
Supply voltage for DDR IO	DDRPHY_VDDQ	-0.3	1.65	V
Storage Temperature	Tstg	-40	125	°C
Max Conjunction Temperature	Tj	NA	125	°C

### 3.2 Recommended Operating Condition

Following table describes the recommended operating condition.

Table 3-2 Recommended operating condition

Parameters	Symbol	Min	Typ	Max	Unit
Voltage for CPU	VDD_CPU	0.81	0.9	NA	V
Voltage for GPU	VDD_GPU	0.81	0.9	NA	V
Voltage for NPU	VDD_NPU	0.81	0.9	NA	V
Voltage for core logic	VDD_LOGIC	0.81	0.9	0.99	V
Voltage for PMU	PMU_VDD_LOGIC_0V9	0.81	0.9	0.99	V
PMUIO1 GPIO Power	PMUIO1	2.97	3.3	3.63	V
Digital GPIO Power (3.3V/1.8V)	VCCIO1,VCCIO2, VCCIO3, VCCIO4VCCIO5, VCCIO6, VCCIO7, PMUIO2	2.97 1.62	3.3 1.8	3.63 1.98	V
DDR3 IO VDDQ power	DDRPHY_VDDQ	1.425	1.5	1.575	V
DDR3L IO VDDQ Power	DDRPHY_VDDQ	1.283	1.35	1.417	V
LPDDR3 IO VDDQ Power	DDRPHY_VDDQ	0.994	1.2	1.3	V
DDR4 IO VDDQ Power	DDRPHY_VDDQ	0.994	1.2	1.3	V
LPDDR4 IO VDDQ Power	DDRPHY_VDDQ	1.0	1.1	1.21	V
LPDDR4X IO VDDQ Power	DDRPHY_VDDQ	0.54	0.6	0.66	
PMU PLL Analog Power(0.9V)	PMUPLL_AVDD_0V9	0.81	0.9	0.99	V
PMU PLL Analog Power(1.8V)	PMUPLL_AVDD_1V8	1.62	1.8	1.98	V
System PLL Analog Power(0.9V)	SYSPLL_AVDD_0V9	0.81	0.9	0.99	V
System PLL Analog Power(1.8V)	SYSPLL_AVDD_1V8	1.62	1.8	1.98	V
USB 2.0 Analog Power (0.9V)	USB_AVDD2_0V9	0.81	0.9	0.99	V
USB 2.0 Analog Power (1.8V)	USB_AVDD2_1V8	1.62	1.8	1.98	V
USB 2.0 Analog Power (3.3V)	USB_AVDD2_3V3	2.97	3.3	3.63	V
USB 3.0 Analog Power (0.9V)	USB_AVDD1_0V9	0.81	0.9	0.99	V
USB 3.0 Analog Power (1.8V)	USB_AVDD1_1V8	1.62	1.8	1.98	V
USB 3.0 Analog Power (3.3V)	USB_AVDD1_3V3	2.97	3.3	3.63	V
Multi-phy Analog Power(0.9V)	MULTI_PHY_AVDD_0V9	0.81	0.9	0.99	V
Multi-phy Analog Power(1.8V)	MULTI_PHY_AVDD_1V8	1.62	1.8	1.98	V
MIPI CSI Analog Power(0.9V)	MIPI_CSI_RX_AVDD_0V9	0.81	0.9	0.99	V
MIPI CSI Analog Power(1.8V)	MIPI_CSI_RX_AVDD_1V8	1.62	1.8	1.98	V
MIPI DSI Analog Power(0.9V)	MIPI_DSI_TX0/LVDS_TX0_AVDD_0V9	0.81	0.9	0.99	V
MIPI DSI Analog Power (1.8V)	MIPI_DSI_TX0/LVDS_TX0_AVDD_1V8	1.62	1.8	1.98	V
MIPI DSI Analog Power(0.9V)	MIPI_DSI_TX1_AVDD_0V9	0.81	0.9	0.99	V
MIPI DSI Analog Power (1.8V)	MIPI_DSI_TX1_AVDD_1V8	1.62	1.8	1.98	V
eDP Analog Power(0.9V)	EDP_TX_AVDD_0V9	0.81	0.9	0.99	V
eDP Analog Power (1.8V)	EDP_TX_AVDD_1V8	1.62	1.8	1.98	V
HDMI Analog Power(0.9V)	HDMI_TX_AVDD_0V9	0.81	0.9	0.99	V
HDMI Analog Power (1.8V)	HDMI_TX_AVDD_1V8	1.62	1.8	1.98	V
SARADC Analog Power(1.8V)	SARADC_AVDD_1V8	1.62	1.8	1.98	V
OTP Analog Power(1.8V)	OTP_VCC_1V8	1.62	1.8	1.98	V
OSC input clock frequency		NA	24	NA	MHz
Max CPU frequency		NA	NA	TBD	GHz

Parameters	Symbol	Min	Typ	Max	Unit
Max GPU frequency		NA	NA	TBD	MHz
Max NPU frequency		NA	NA	TBD	MHz
Ambient Operating Temperature	T <sub>A</sub>	0	NA	80	°C

Notes:

- ① Symbol name is same as the pin name in the io descriptions

### 3.3 DC Characteristics

Table 3-3 DC Characteristics

Parameters	Symbol	Min	Typ	Max	Unit	
Digital GPIO @3.3V	Input Low Voltage	Vil	-0.3	NA	0.8	V
	Input High Voltage	Vih	2.0	NA	VDDO+0.3	V
	Output Low Voltage	Vol	-0.3	NA	0.4	V
	Output High Voltage	Voh	2.4	NA	VDDO+0.3	V
	Pullup Resistor	Rpu	16	NA	43	Kohm
	Pulldown Resistor	Rpd	16	NA	43	Kohm
Digital GPIO @1.8V	Input Low Voltage	Vil	-0.3	NA	0.35*VDDO	V
	Input High Voltage	Vih	0.65*VDDO	NA	VDDO+0.3	V
	Output Low Voltage	Vol	-0.3	NA	0.4	V
	Output High Voltage	Voh	1.4	NA	VDDO+0.3	V
	Pullup Resistor	Rpu	16	NA	43	Kohm
	Pulldown Resistor	Rpd	16	NA	43	Kohm

Parameters	Symbol	Min	Typ	Max	Unit	
DDR IO @DDR3 mode	Input High Voltage	Vih_dds	Vref+0.1	NA	DDRPHY_VDD Q	V
	Input Low Voltage	Vil_dds	VSSQ	NA	Vref-0.1	V
	output impedance	Rtt	20	NA	60	Ohm
DDR IO @DDR3L mode	Input High Voltage	Vih_dds	Vref+0.1	NA	DDRPHY_VDD Q	V
	Input Low Voltage	Vil_dds	VSSQ	NA	Vref-0.1	V
	output impedance	Rtt	20	NA	60	Ohm
DDR IO @DDR4 mode	Input High Voltage	Vih_dds	Vref+0.1	NA	DDRPHY_VDD Q	V
	Input Low Voltage	Vil_dds	VSSQ	NA	Vref-0.1	V
	output impedance	Rtt	20	NA	60	Ohm
DDR IO @ LPDDR3 mode	Input High Voltage	Vih_dds	Vref+0.1	NA	DDRPHY_VDD Q	V
	Input Low Voltage	Vil_dds	VSSQ	NA	Vref-0.1	V
	output impedance	Rtt	20	NA	60	Ohm
DDR IO @LPDDR4 mode	Input High Voltage	Vih_dds	Vref+0.1	NA	DDRPHY_VDD Q	V
	Input Low Voltage	Vil_dds	VSSQ	NA	Vref-0.1	V
	output impedance	Rtt	20	NA	60	Ohm
DDR IO @LPDDR4X mode	Input High Voltage	Vih_dds	Vref+0.1	NA	DDRPHY_VDD QL	V
	Input Low Voltage	Vil_dds	VSSQ	NA	Vref-0.1	V

Parameters	Symbol	Min	Typ	Max	Unit
output impedance	Rtt	20	NA	60	Ohm

Parameters	Symbol	Min	Typ	Max	Unit	
LVDS	Output High Voltage	Voh	NA	NA	1.475	V
	Output Low Voltage	Vol	925	NA	NA	mV
	Output differential voltage	VOD	250	NA	400	mV
	Output offset voltage	Vos	1125	NA	1275	mV
	Output impedance, single ended	Ro	40	NA	140	Ω
	Ro mismatch between A & B	ΔRo	NA	NA	10	%
	Change in  Vod  between 0 and 1	ΔVod	NA	NA	25	mV
	Change in Vod between 0 and 1	ΔVos	NA	NA	25	mV

Parameters	Symbol	Min	Typ	Max	Unit	
MIPI	Output High Voltage	Voh	1.08	1.2	1.32	V
	Output Low Voltage	Vol	-50	NA	50	mV
	HS TX static Common-mode voltage	VCMTX	150	200	250	mV
	VCMTX mismatch when output is Differential-1 or Differential-0	ΔVCMTX(1,0)	NA	NA	5	mV
	HS transmit differential voltage	VOD	140	200	270	mV
	VOD mismatch when output is Differential-1 or Differential-0	ΔVOD	NA	NA	14	mV
	HS output high voltage	VOHHS	NA	NA	360	mV
	Single ended output impedance	ZOS	40	50	62.5	Ω
	Single ended output impedance mismatch	ΔZOS	NA	NA	10	%

### 3.4 Electrical Characteristics for General IO

Table 3-4 Electrical Characteristics for Digital General IO

Parameters	Symbol	Test condition	Min	Typ	Max	Unit	
Digital GPIO @3.3V	Input leakage current	Ii	Vin = 3.3V or 0V	NA	NA	10	uA
	Tri-state output leakage current	Ioz	Vout = 3.3V or 0V	NA	NA	10	uA
	High level input current	Iih	Vin = 3.3V, pulldown disabled	NA	NA	10	uA
			Vin = 3.3V, pulldown enabled	NA	NA	10	uA
	Low level input current	Iil	Vin = 0V, pullup disabled	NA	NA	10	uA
			Vin = 0V, pullup enabled	NA	NA	10	uA
Digital GPIO @1.8V	Input leakage current	Ii	Vin = 1.8V or 0V	NA	NA	10	uA
	Tri-state output leakage current	Ioz	Vout = 1.8V or 0V	NA	NA	10	uA

Parameters		Symbol	Test condition	Min	Typ	Max	Unit
High level input current		Iih	Vin = 1.8V, pulldown disabled	NA	NA	10	uA
			Vin = 1.8V, pulldown enabled	NA	NA	10	uA
Low level input current		Iil	Vin = 0V, pullup disabled	NA	NA	10	uA
			Vin = 0V, pullup enabled	NA	NA	10	uA

### 3.5 Electrical Characteristics for PLL

Table 3-5 Electrical Characteristics for Frac PLL

Parameters		Symbol	Test condition	Min	Typ	Max	Unit
Input clock frequency(Frac)		F <sub>in</sub>	Fin = FREF @1.8V/0.99V	1	NA	1200	MHz
VCO operating range		F <sub>vco</sub>	Fvco = Fref * FBDIV @3.3V/0.99V	950	NA	3800	MHz
Output clock frequency		F <sub>out</sub>	Fout = Fvco/POSTDIV @3.3V/0.99V	19	NA	3800	MHz
Lock time		T <sub>lt</sub>	@ 3.3V/0.99V, FREF=24M,REFDIV=1	NA	250	500	Input clock cycles

Table 3-6 Electrical Characteristics for Int-PLL

Parameters		Symbol	Test condition	Min	Typ	Max	Unit
Input clock frequency(Frac)		F <sub>in</sub>	Fin = FREF @1.8V/0.99V	10	NA	800	MHz
VCO operating range		F <sub>vco</sub>	Fvco = Fref * FBDIV @3.3V/0.99V	475	NA	1900	MHz
Output clock frequency		F <sub>out</sub>	Fout = Fvco/POSTDIV @3.3V/0.99V	9	NA	1900	MHz
Lock time		T <sub>lt</sub>	@ 3.3V/0.99V, FREF=24M,REFDIV=1	NA	1000	1500	Input clock cycles

Notes:

- ① REF<sub>DIV</sub> is the input divider value;
- ② F<sub>B</sub><sub>DIV</sub> is the feedback divider value;
- ③ P<sub>OST</sub><sub>DIV</sub> is the output divider value

### 3.6 Electrical Characteristics for USB 2.0 Interface

Table 3-7 Electrical Characteristics for USB 2.0 Interface

Parameters	Symbol	Test condition	Min	Typ	Max	Unit
Transmitter						
Output resistance	R <sub>OUT</sub>	Classic mode (Vout = 0 or 3.3V)	40.5	45	49.5	ohm
		HS mode (Vout = 0 to 800mV)	40.5	45	49.5	ohm

Parameters	Symbol	Test condition	Min	Typ	Max	Unit
Output Capacitance	COUT	seen from D+ or D-	NA	NA	3	pF
Output Common Mode Voltage	VM	Classic (LS/FS) mode	1.45	1.65	1.85	V
		HS mode	0.175	0.2	0.225	V
Differential output signal high	VOH	Classic (LS/FS); Io=0mA	2.97	3.3	3.63	V
		Classic (LS/FS); Io=6mA	2.2	NA	NA	V
		HS mode; Io=0mA	360	400	440	mV
Differential output signal low	VOL	Classic (LS/FS); Io=0mA	-0.33	0	0.33	V
		Classic (LS/FS); Io=6mA	NA	0.3	0.8	V
		HS mode; Io=0mA	-40	0	40	mV
Receiver						
Receiver sensitivity	RSENS	Classic mode	NA	+ -250	NA	mV
		HS mode	NA	+ -25	NA	mV
Receiver common mode	RCM	Classic mode	0.8	1.65	2.5	V
		HS mode (differential and squelch comparator)	0.1	0.2	0.3	V
		HS mode (disconnect comparator)	0.5	0.6	0.7	V
Input capacitance (seen at D+ or D-)			NA	NA	3	pF
Squelch threshold			100	112	150	mV
Disconnect threshold			570	590	625	mV
High input level	VIH		0.6	NA	NA	V
Low input level	VIL		NA	NA	0.2	V

### 3.7 Electrical Characteristics for DDR IO

Table 3-8 Electrical Characteristics for DDR IO

Parameters	Symbol	Test condition	Min	Typ	Max	Unit
DDR IO @DDR3 mode	Input leakage current	@ 1.5V , 125°C	-80	NA	6	uA
DDR IO @DDR3L mode	Input leakage current	@ 1.35V , 125°C	-65	NA	5	uA
DDR IO @DDR4 mode	Input leakage current	@ 1.2V , 125°C	-50	NA	4	uA
DDR IO @LPDDR3 mode	Input leakage current	@ 1.2V , 125°C	-50	NA	4	uA
DDR IO @LPDDR4 mode	Input leakage current	@ 1.1V , 125°C	-45	NA	3.5	uA
DDR IO @LPDDR4X mode	Input leakage current	@ 0.6V , 125°C	-20	NA	1.5	uA



### 3.8 Electrical Characteristics for TSADC

Table 3-9 Electrical Characteristics for TSADC

Parameters	Symbol	Test condition	Min	Typ	Max	Unit
Temperature Resolution			NA	±5	NA	°C
Temperature Range			-20	NA	120	°C

### 3.9 Electrical Characteristics for MIPI DSI

Table 3-10 Electrical Characteristics for MIPI DSI

Parameters	Symbol	Test condition	Min	Typ	Max	Units
Common-mode variations above 450 MHz	$\Delta V_{cmtx}(HF)$		NA	NA	15	mVrms
Common-mode variations between 50MHz - 450MHz	$\Delta V_{cmtx}(LF)$		NA	NA	25	mVpeak
20%-80% rise time and fall time	Tr and Tf		NA	NA	0.3	UI
			10	NA	NA	ps

### 3.10 Electrical Characteristics for MIPI CSI

Table 3-11 Electrical Characteristics for MIPI CSI

Parameters	Symbol	Test condition	Min	Typ	Max	Units
Common-mode interference beyond 450 MHz	$\Delta V_{cmrx}(HF)$		NA	NA	100	mV
Common-mode interference 50MHz-450MHz	$\Delta V_{cmrx}(LF)$		NA	NA	50	mV
Common-mode termination	Ccm		NA	NA	60	pF
Input pulse rejection	Espike		NA	NA	300	V.ps
Minimum pulse width response	Tmin-rx		20	NA	NA	ns
Peak interference amplitude	Vint		NA	NA	200	mV
Interference frequency	Fint		450	NA	NA	MHz

### 3.11 Electrical Characteristics for HDMI

Table 3-12 Electrical Characteristics for HDMI

Parameters	Symbol	Test condition	Min	Typ	Max	Unit
Differential output signal rise time	tR	20~80% RL=50Ω	75	NA	NA	ps
	tR_DATA	20~80% RL=50Ω	42.5	NA	NA	ps
	tR_CLOCK	20~80% RL=50Ω	75	NA	NA	ps
Differential output signal fall time	tF	20~80% RL=50Ω	75	NA	NA	ps
	tF_DATA	20~80% RL=50Ω	42.5	NA	NA	ps
	tF_CLOCK	20~80% RL=50Ω	75	NA	NA	ps

### 3.12 Electrical Characteristics for multi-PHY

Table 3-13 Electrical Characteristics for PCIe PHY

Parameters	Symbol	Condition	Min	Typ	Max	Unit
Transmitter						
Differential p-pTx voltage swing	$V_{TX-DIFF-PP}$		0.8	NA	1.2	V
Low power differential p-p Tx voltage swing	$V_{TX-DIFF-PP-LOW}$		0.4	NA	1.2	V
Tx de-emphasis level ratio	$R_{TX-DIFF-DC}$		80	NA	120	ohm
Single Ended Output Resistance Matching	$R_{TX-DC-OFFSET}$		NA	NA	5	%
The amount of voltage change allowed during Receiver Detection	$V_{TX-RCV-DETECT}$		NA	NA	600	mV
Output rising time for 20% to 80%	$T_r$		25	NA	NA	ps
Output falling time for 20% to 80%	$T_f$		25	NA	NA	ps
AC Coupling Capacitor(USB3.0/PCIE2.1)	$C_{TX}$		75	NA	200	nF
AC Coupling Capacitor(SATA3.0)	$C_{TX}$		6	NA	12	nF
Unit Interval	UI		399.88	NA	400.12	ps
Input Voltage Swing	$V_{rxdpp-c}$		250	NA	1200	mV
Input differential impedance	$R_{rxd-c}$		80	NA	120	ohm
Single Ended input Resistance Matching	$T_{rxd-c-ms}$		NA	NA	5	%

## Chapter 4 Thermal Management

### 4.1 Overview

For reliability and operability concerns, the absolute maximum junction temperature has to be below 125°C.

### 4.2 Package Thermal Characteristics

Table 4-1 provides the thermal resistance characteristics for the package used on the SoC. The resulting simulation data for reference only, please prevail in kind test.

Table 4-1 Thermal Resistance Characteristics

Parameter	Symbol	Typical	Unit
Junction-to-ambient thermal resistance	$\theta_{JA}$	20.728	(°C/W)
Junction-to-board thermal resistance	$\theta_{JB}$	17.74	(°C/W)
Junction-to-case thermal resistance	$\theta_{JC}$	1.544	(°C/W)

Note: The testing PCB is 4 layers, 114.3mmx101.6mm, 1.6mm thickness, Ambient temperature is 25°C.

## X-ON Electronics

Largest Supplier of Electrical and Electronic Components

*Click to view similar products for [32-bit Microcontrollers - MCU category](#):*

*Click to view products by [Rockchip manufacturer](#):*

Other Similar products are found below :

[MCF51AC256AVFUE](#) [MCF51AC256BCFUE](#) [MCF51AC256BVFUE](#) [MB91F464AAPMC-GSE2](#) [R5S726B0D216FP#V0](#) [MB91F248PFV-GE1](#) [MB91243PFV-GS-136E1](#) [SAK-TC1782F-320F180HR BA](#) [TC364DP64F300WAAKXUMA1](#) [R5F566NNDDFP#30](#)  
[R5F566NNDDFC#30](#) [R5F566NNDDBD#20](#) [MC96F8216ADBN](#) [A96G181HDN](#) [A96G140KNN](#) [A96G174FDN](#) [A31G213CL2N](#)  
[A96G148KNN](#) [A96G174AEN](#) [AC33M3064TLBN-01](#) [V3s](#) [T3](#) [A40i-H](#) [V526](#) [A83T](#) [R11](#) [V851s](#) [A133](#) [V833](#) [F1C100S](#) [T3L](#) [T507](#) [A33](#)  
[A63](#) [T113-i](#) [H616](#) [V853](#) [V533](#) [R16-J](#) [V536-H](#) [A64-H](#) [V831](#) [V3LP](#) [T113-S3](#) [F1C200S](#) [F133-A](#) [R128-S2](#) [D1-H](#) [ADUCM360BCPZ128-TR](#)  
[APT32S003F8PT](#)