

Rockchip RK628F Datasheet

Revision History

Date	Revision	Description
2024-07-02	1.1	Update the parameters in 3.1 Absolute Maximum Ratings and 3.2 Recommended Operating Condition
2023-12-26	1.0	Initial release

Table of Content

Figure Index	3
Table Index.....	4
Warranty Disclaimer.....	5
Chapter 1 Introduction	6
1.1 Features	6
1.2 Block Diagram	8
Chapter 2 Package Information.....	9
2.1 Order Information	9
2.2 Top Marking	9
2.3 Package Dimension	9
2.4 MSL Information	11
2.5 Lead Finish/Ball Material Information	11
2.6 Pin Number Order	11
Chapter 3 Electrical Specification	13
3.1 Absolute Maximum Ratings	13
3.2 Recommended Operating Conditions	13
3.3 DC Characteristics	13
3.4 Recommended Operating Frequency	14
Chapter 4 Thermal Management.....	15
4.1 Overview	15
4.2 Package Thermal Characteristics	15

Figure Index

Fig. 1-1 RK628F Block Diagram	8
Fig. 2-1 RK628F Package Definition	9
Fig. 2-2 RK628F Package Top View	9
Fig. 2-3 RK628F Package Bottom View.....	10
Fig. 2-4 RK628F Package Side View.....	10
Fig. 2-5 RK628F Package Dimension.....	11

Table Index

Table 1-1 RK628F video input interface	6
Table 1-2 RK628F video output interface	7
Table 2-1 RK628F WBBGA144 Pin Number Order Information.....	11
Table 3-1 RK628F Absolute Maximum Ratings	13
Table 3-2 RK628F Recommended Operating Conditions	13
Table 3-3 RK628F DC Characteristics	13
Table 3-4 RK628F Recommended Operating Frequency	14
Table 4-1 Thermal Resistance Characteristics	15

Warranty Disclaimer

Copyright © 2024 Rockchip Electronics Co., Ltd. All rights reserved.

No part of this document may be reproduced, transmitted or used in any form or by any means without the written prior consent of Rockchip Electronics Co., Ltd.

Trademark

Rockchip is a registered trademark of Rockchip Electronics Co., Ltd. in the People's Republic of China and other countries/areas. Other brands, product names mentioned in this document are the property of their respective owners.

Disclaimer

Rockchip Electronics Co., Ltd. ("Rockchip") may make changes to any information in this document at any time without any prior notice.

Information in this document is provided just as a reference or typical applications. All or part of product features described in this document may not be within the purchase scope or the usage scope, and may be subject to the third party licensing requirements. All statements, information in this document is provided "AS IS" without warranties of any kind, either express or implied. Actual performance of Rockchip products may vary in different applications. Third party licenses maybe required to use some features supported by Rockchip products. Customers shall be solely and exclusively responsible to obtain all appropriately required third party licenses prior to its such use. Should customers use the features supported by Rockchip products without any required third party license, customers shall indemnify and hold Rockchip and its subsidiaries, affiliates as well as distributors harmless against all claims, costs, damages, and expenses, and reasonable attorney fees arising out of any claim associated with such unauthorized use.

Rockchip products are not intended for use in military, airplane, medical devices, lifesaving or life sustaining applications ("Unintended Uses"). Customers shall take any and all actions to ensure using Rockchip products in a lawful manner and shall be liable for Unintended Uses.

Chapter 1 Introduction

RK628F is a high-integration interface chip, which can support HDMI/parallel RGB/BT.1120 as input and dual MIPI/dual LVDS/GVI(general video interface)/parallel RGB/BT.1120 as output with featured scaler inside. The key application scenario is extension of display output port for original application processor such as RK3288/RK3399/RK3588, or HDMI in interface providing.

1.1 Features

1.1.1 Video input interface

- HDMI RX interface
 - Compliant with HDMI 1.4/HDMI 2.0
 - Supports HDCP 1.4
 - Supports 8/10bit per component video format
 - Supports rgb888/yuv444/yuv422/yuv420
 - Supports Max resolution 4096x2160@60fps
 - Supports data rates up to 600Mhz, with PHY bit rate 6Gbps per lane
 - Supports DDC Bus I2C master interface at 3.3/5V
 - Supports EDID and CEC function
 - Supports DVI
- Parallel IN interface
 - Supports Max resolution 1080p@60fps
 - Supports 16bits BT.1120 in
 - Supports 24bits parallel RGB in

Table 1-1 RK628F video input interface

Interface	Resolution	Data rate	Bit rate per lane
HDMI	4096x2160@60	NA	6Gbps
BT.1120	1080p@60fps	148.5M	NA
RGB	1080p@60fps	148.5M	NA

1.1.2 Video output interface

- HDMI TX interface
 - Supports all DTV resolutions including 480p/720p /1080p
 - Supports data rate from 25MHz to 148.5MHZ
 - TMDS Tx Drivers with programmable output swing, resister values and pre-emphasis
 - DDC Bus I2C master interface at 3.3/5V
 - The EDID and CEC function are also supported by HDMI Transmitter Controller
- MIPI TX interface
 - DSI
 - ◆ Compliant with MIPI DPHY V1.2
 - ◆ Support the DPI interface color coding mappings into 24-bit Interface
 - ◆ Up to 4 D-PHY Data Lanes per channel
 - ◆ Supports data rate up to 1.3Gbps
 - ◆ Supports dual channel DSI
 - CSI
 - ◆ Compliant with MIPI DPHY V1.2
 - ◆ Support format: YUV422
 - ◆ Up to 4 D-PHY Data Lanes
 - ◆ Supports data rate up to 1.3Gbps
 - ◆ Supports dual channel CSI
- GVI TX interface
 - Supports RGB666/RGB888/RGB101010/YUV422-8bit/YUV422-10bit format
 - Supports Max resolution 4096x2160@60fps
 - Supports up to 3.75Gbps data rate (effective data rate 3Gbps)
 - Supports 1/2/4/8 lanes

- Supports output lanes flexible mapping
- Supports 1/2 section mode
- LVDS TX interface
 - Compliant with the Standard TIA/EIA-644-A LVDS standard
 - Supports data rate up to 1Gbps
 - Support 8bit format-1, format-2, format-3 display mode, Support 6bit display mode.
 - Supports dual channel LVDS
- Parallel Video Out interface
 - Supports Max resolution 1080p@60fps
 - Supports 16bits BT.1120 out
 - Supports 24bits parallel RGB out

Table 1-2 RK628F video output interface

Interface	Resolution	Data rate	Bit rate per lane
GVI	4096x2160@60fps	NA	3.75Gbps
Dual MIPI DSI	2560x1600@60fps	NA	1.3Gbps
MIPI DSI	1080p@60fps	NA	1.3Gbps
Dual MIPI CSI	3840x2160@60fps	NA	1.3Gbps
MIPI CSI	3840x2160@30fps	NA	1.3Gbps
Dual LVDS	1080p@60fps	NA	1 Gbps
LVDS	720p@60fps	NA	1 Gbps
BT.1120	1080p@60fps	148.5M	NA
RGB	1080p@60fps	148.5M	NA
HDMI	1080p@60fps	148.5M	NA

1.1.3 TX/RX adapter

- Interaction of HDP signal between HDMI TX and HDMI RX
- Support HDMI TX CEC function
- Support RX HDCP1.4 inside-key memory. It is readable and writable
- Support HDMI RX/TX
- Support on-chip EDID memory. It is readable and writable

1.1.4 Post process

- CSC
 - RGB2YUV
 - YUV2RGB
 - YUV2VYU
 - CSC matrix
- Display interface
 - Parallel display Interface: 30-bit(RGB/YUV)
 - Asynchronous output pixel clock (PLL required)
 - Flexible display timing setting
 - Configurable border black area
- Scaling down
 - Max input resolution: 4096x2160
 - Arbitrary non-integer scaling ratio
 - Support two mode: bilinear and average
 - Max 1/4 scaling ratio for bilinear scaling down
 - Max 1/6 scaling ratio for average scaling down
- Scaling up
 - Max output resolution: 4096x2160
 - Arbitrary non-integer scaling ratio
 - Support four scaling up mode for different effect
 - Max 6 scaling ratio
- Split
 - Left-right mode
 - Odd-even mode

1.1.5 Others

- Audio
 - Support HDMI RX I2S interface, up to 192kHz sample rate, 8 channel
 - Support I/O I2S interface, 8 channel
 - Support HDMI TX I2S interface, 8 channel
 - Support the connection of RX and TX's I2S
- PWM
 - Single channel PWM output supported
- Package Type
 - FBGA144L (body:8mm x 8mm ;ball size: 0.3mm ;ball pitch: 0.65)

1.2 Block Diagram

The following figure shows the basic block diagram of RK628F.

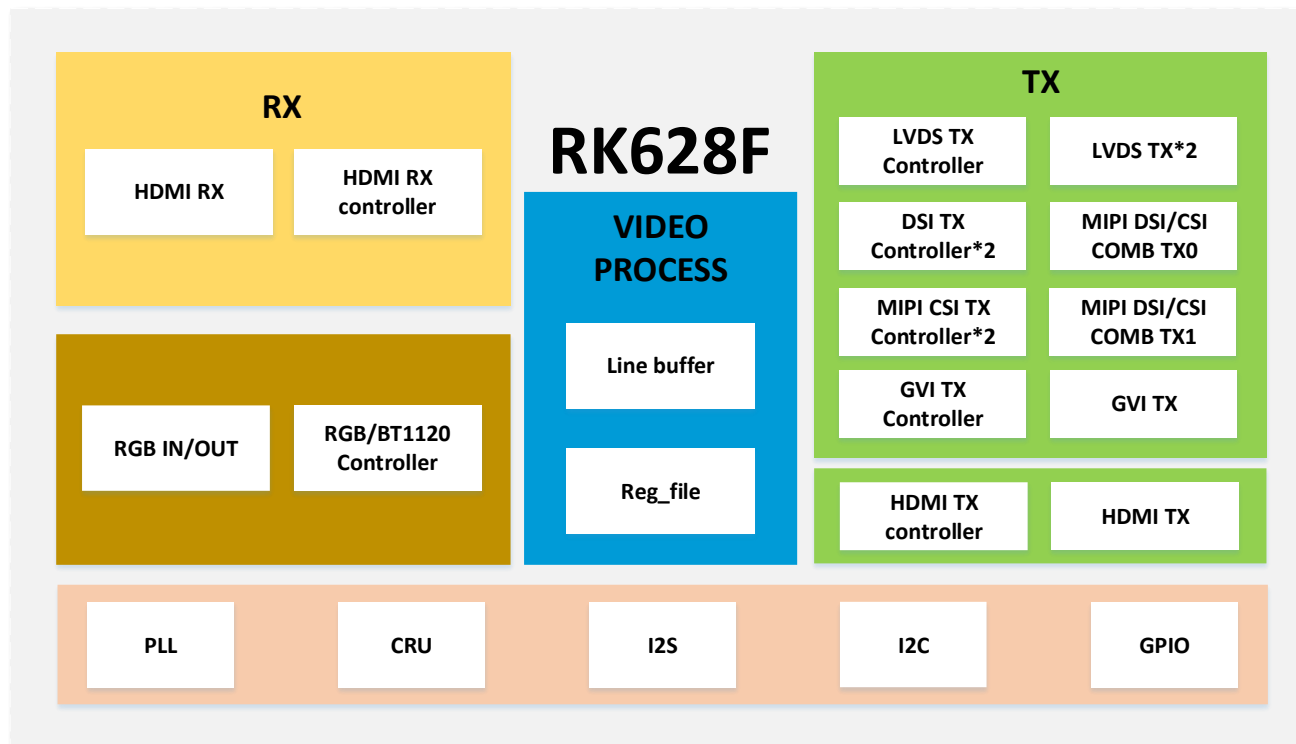


Fig. 1-1 RK628F Block Diagram

Chapter 2 Package Information

2.1 Order Information

Orderable Device	RoHS status	Package	Package Qty	Device Feature
RK628F	RoHS	FBGA144L	3480PCS	High speed interface bridge chip

2.2 Top Marking

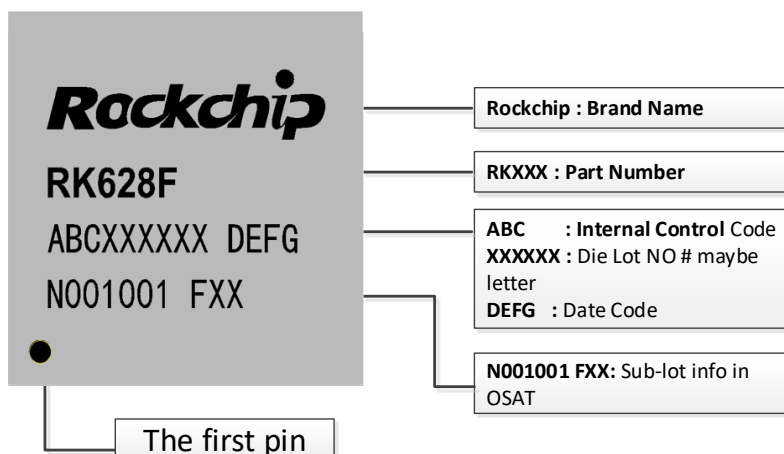


Fig. 2-1 RK628F Package Definition

2.3 Package Dimension

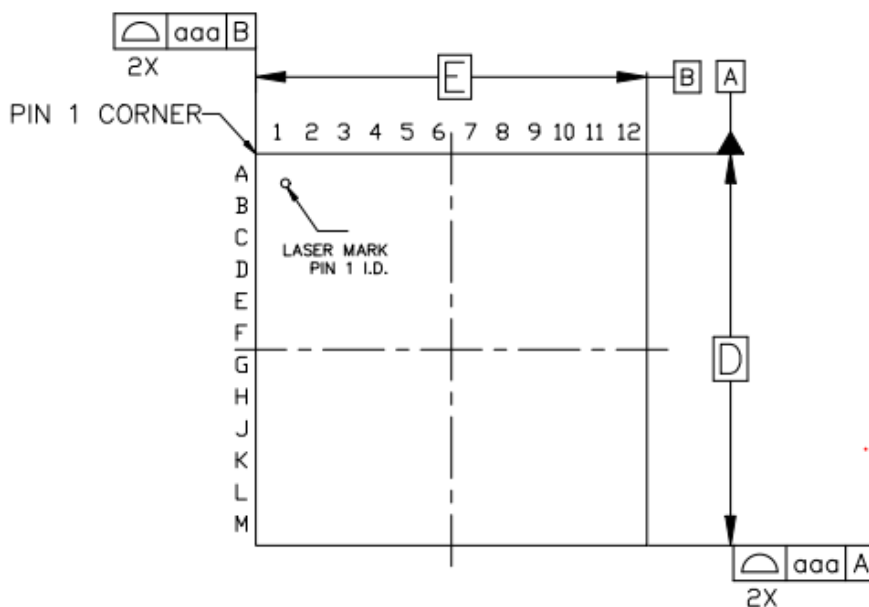


Fig. 2-2 RK628F Package Top View

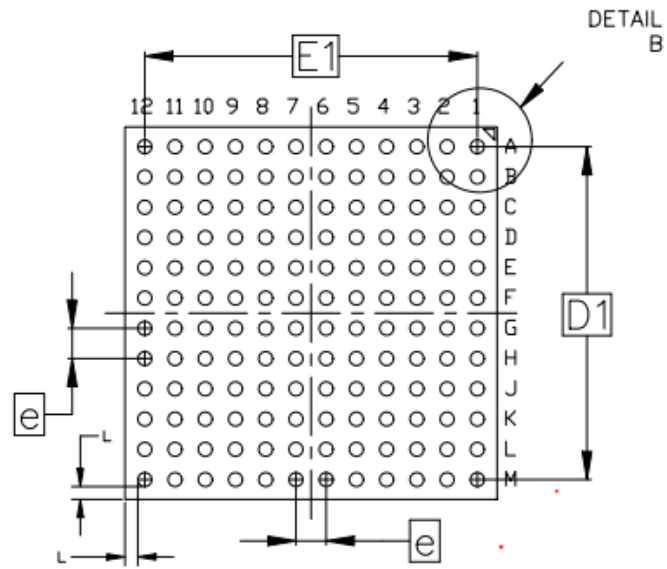


Fig. 2-3 RK628F Package Bottom View

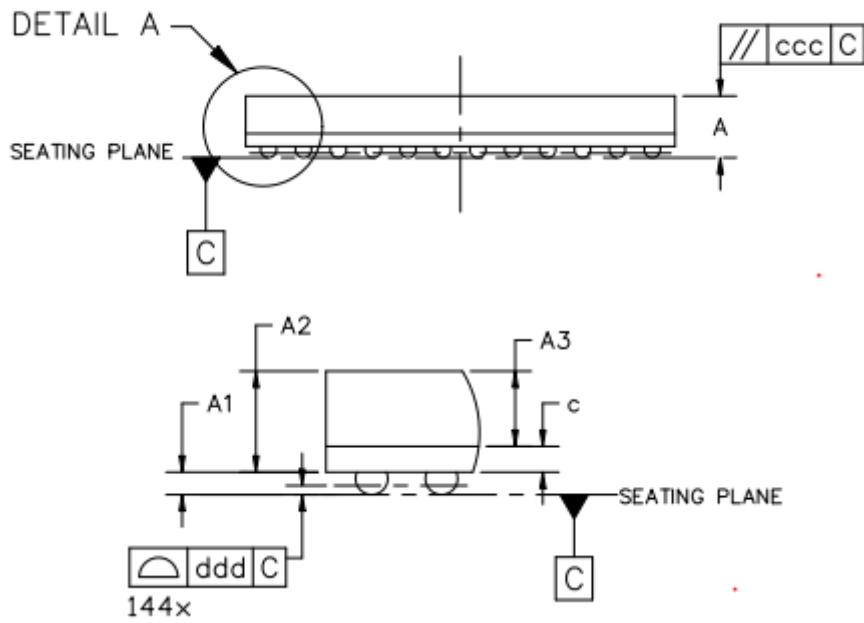


Fig. 2-4 RK628F Package Side View

SYMBOL	MILLIMETER		
	MIN	NOM	MAX
A	--	1.15	1.23
A1	0.16	0.21	0.26
A2	0.89	0.94	0.99
A3	0.70 BASIC		
c	0.20	0.24	0.28
D	7.90	8.00	8.10
D1	7.15 BASIC		
E	7.90	8.00	8.10
E1	7.15 BASIC		
e	0.65 BASIC		
b	0.25	0.30	0.35
L	0.275 REF		
aaa	0.15		
ccc	0.08		
ddd	0.08		
eee	0.15		
fff	0.08		

Fig. 2-5 RK628F Package Dimension

2.4 MSL Information

Moisture sensitivity Level : MSL3

2.5 Lead Finish/Ball Material Information

Lead Finish/Ball material : SnAgCu

2.6 Pin Number Order

Table 2-1 RK628F WBBGA144 Pin Number Order Information

Pin Number	Pin Name	Pin Number	Pin Name
A1	VSS_1	G1	GVI/LVDS/MIPI_TX0N
A2	GVI/LVDS/MIPI_TX5P	G2	GVI/LVDS/MIPI_TX0P
A3	GVI/LVDS/MIPI_TX6P	G3	VSS_25
A4	GVI/LVDS/MIPI_TX7P	G4	VSS_19
A5	GVI/LVDS/MIPI_TX8P	G5	VSS_9
A6	GVI/LVDS/MIPI_TX9P	G6	VSS_13
A7	GPIO3_B1/GVI_HPD	G7	VSS_16
A8	GPIO3_A1/VOP_HSYNC	G8	VSS_20
A9	VOP_DCLK	G9	HDMIRX_EXTR
A10	GPIO2_C4/VOP_D20/JTAGTDI	G10	GPIO2_A0/VOP_D0
A11	GPIO2_C1/VOP_D17/XIPSCFMISO	G11	GPIO2_A1/VOP_D1
A12	VSS_2	G12	GPIO2_A2/VOP_D2
B1	GVI/LVDS/MIPI_REXT	H1	GPIO0_A7/I2S_D3_M0/UARTTRTSN
B2	GVI/LVDS/MIPI_TX5N	H2	GPIO0_A6/I2S_D2_M0/UARTCTS
B3	GVI/LVDS/MIPI_TX6N	H3	GPIO0_A5/I2S_D1_M0/UARTRX
B4	GVI/LVDS/MIPI_TX7N	H4	RESETN
B5	GVI/LVDS/MIPI_TX8N	H5	VCCIO1
B6	GVI/LVDS/MIPI_TX9N	H6	VSS_29
B7	GPIO3_B2/GVI_LOCK	H7	GPIO1_A0/TEST_CLKO

Pin Number	Pin Name	Pin Number	Pin Name
B8	GPIO3_A3/VOP_VSYNC	H8	GPIO1_A1/SFC_CLK
B9	GPIO3_A0/VOP_DEN	H9	HDMIRX_DVDD_1V1_1
B10	GPIO2_C3/VOP_D19/JTAGTDO	H10	VSS_18
B11	GPIO2_C0/VOP_D16/XIPSFCCSN	H11	HDMIRX_D2N
B12	GPIO2_B7/VOP_D15	H12	HDMIRX_D2P
C1	GVI/LVDS/MIPI_TX4N	J1	GPIO0_A3/I2S_LRCK_M0
C2	GVI/LVDS/MIPI_TX4P	J2	GPIO0_A2/I2S_SCK_M0
C3	GVI/LVDS/MIPI_PLL_AVDD_3V3	J3	INT/SPIBOOT
C4	VSS_26	J4	HDMITX_DVDD_1V1_2
C5	GVI/LVDS/MIPI_AVDD_1V1_3	J5	HDMITX_DVDD_1V1_3
C6	VSS_27	J6	HDMITX_DVDD_1V1_1
C7	I2C_ADDR	J7	PLL_AVDD_1V1
C8	GPIO2_C7/VOP_D23/JTAGTRSN	J8	GND30
C9	GPIO2_C6/VOP_D22/JTAGTCK	J9	HDMIRX_DVDD_1V1_2
C10	GPIO2_C2/VOP_D18/XIPSFCSMOSI	J10	HDMIRX_AVDD_3V3_1
C11	GPIO2_B4/VOP_D12	J11	HDMIRX_D1N
C12	GPIO2_B6/VOP_D14	J12	HDMIRX_D1P
D1	GVI/LVDS/MIPI_TX3N	K1	GPIO0_B1/HDMITX_SDA
D2	GVI/LVDS/MIPI_TX3P	K2	GPIO0_A4/I2S_D0_M0/UARTTX
D3	VSS_5	K3	I2C_SDA
D4	GVI/LVDS/MIPI_AVDD_1V1_1	K4	HDMITX_AVDD_3V3
D5	GVI/LVDS/MIPI_AVDD_3V3_1	K5	VSS_7
D6	VSS_24	K6	VSS_22
D7	TEST	K7	VSS_10
D8	DVDD_2	K8	GPIO1_B0/HDMIRX_HPD_M0
D9	GPIO2_C5/VOP_D21/JTAGTMS	K9	GPIO1_B3/HDMIRX_CEC_M0
D10	GPIO2_B2/VOP_D10	K10	VSS_23
D11	GPIO2_B3/VOP_D11	K11	HDMIRX_D0N
D12	GPIO2_B5/VOP_D13	K12	HDMIRX_D0P
E1	GVI/LVDS/MIPI_TX2N	L1	GPIO0_B2/HDMITX_SCL
E2	GVI/LVDS/MIPI_TX2P	L2	GPIO0_B0/HDMITX_HPD
E3	GVI/LVDS/MIPI_AVDD_1V1_2	L3	I2C_SCL
E4	GVI/LVDS/MIPI_AVDD_3V3_2	L4	HDMITX_CLKN
E5	VSS_11	L5	HDMITX_D0N
E6	VSS_14	L6	HDMITX_D1N
E7	VSS_28	L7	HDMITX_D2N
E8	VCCIO2_1	L8	GPIO1_B2/HDMIRX_SCL_M0
E9	DVDD_1	L9	OSC_OUT
E10	GPIO2_A7/VOP_D7	L10	VSS_28
E11	GPIO2_B1/VOP_D9	L11	HDMIRX_CLKN
E12	GPIO2_B0/VOP_D8	L12	HDMIRX_CLKP
F1	GVI/LVDS/MIPI_TX1N	M1	VSS_4
F2	GVI/LVDS/MIPI_TX1P	M2	GPIO0_B3/HDMITX_CEC
F3	GVI/LVDS/MIPI_AVDD_1V1_4	M3	HDMITX_EXTR
F4	VSS_6	M4	HDMITX_CLKP
F5	VSS_8	M5	HDMITX_D0P
F6	VSS_12	M6	HDMITX_D1P
F7	VSS_15	M7	HDMITX_D2P
F8	VCCIO2_2	M8	GPIO1_B1/HDMIRX_SDA_M0
F9	GPIO2_A3/VOP_D3	M9	OSC_IN
F10	GPIO2_A6/VOP_D6	M10	PLL_AVDD
F11	GPIO2_A5/VOP_D5	M11	VSS_29
F12	GPIO2_A4/VOP_D4	M12	VSS_3

Chapter 3 Electrical Specification

3.1 Absolute Maximum Ratings

Table 3-1 RK628F Absolute Maximum Ratings

Parameters	Related Power Group	Max	Unit
DC supply voltage for internal digital logic@1.1v	DVDD_1,DVDD_2	1.32	V
DC supply voltage for digital GPIO@1.8V mode	VCCIO2_1 VCCIO2_2	1.98 1.98	V
DC supply voltage for digital GPIO@3.3V mode	VCCIO1 VCCIO2_1 VCCIO2_2	3.63 3.63 3.63	V
DC supply voltage for HDMI RX	HDMIRX_AVDD_3V3 HDMIRX_DVDD_1V1	3.63 1.32	V
DC supply voltage for GVI/LVDS/MIPI TX	GVI/LVDS/MIPI_PLL_AVDD_3V3 GVI/LVDS/MIPI_AVDD_3V3 GVI/LVDS/MIPI_AVDD_1V1	3.63 3.63 1.32	V
DC supply voltage for HDMI TX	HDMITX_DVDD_1V1 HDMITX_AVDD_3V3	1.32 3.63	V
DC supply voltage for PLL	PLL_AVDD_1V1 PLL_AVDD_3V3	1.32 3.63	V
Storage Temperature	Tstg	125	°C
Max Conjunction Temperature	Tj	125	°C

Absolute maximum ratings specify the values beyond which the device may be damaged permanently. Long-term exposure to absolute maximum ratings conditions may affect device reliability.

3.2 Recommended Operating Conditions

The following table describes the recommended operating conditions.

Table 3-2 RK628F Recommended Operating Conditions

Parameters	Symbol	Min	Typ	Max	Unit
DC supply voltage for internal digital logic@1.1v	DVDD_1,DVDD_2	0.99	1.1	1.21	V
DC supply voltage for digital GPIO@1.8V mode	VCCIO2_1 VCCIO2_2	1.71 1.71	1.8 1.8	1.89 1.89	V
DC supply voltage for digital GPIO@3.3V mode	VCCIO1 VCCIO2_1 VCCIO2_2	3.135 3.135 3.135	3.3 3.3 3.3	3.465 3.465 3.465	V
DC supply voltage for HDMI RX	HDMIRX_AVDD_3V3 HDMIRX_DVDD_1V1	3.135 0.99	3.3 1.1	3.465 1.21	V
DC supply voltage for GVI/LVDS/MIPI TX	GVI/LVDS/MIPI_PLL_AVDD_3V3 GVI/LVDS/MIPI_AVDD_3V3 GVI/LVDS/MIPI_AVDD_1V1	3.135 3.135 0.99	3.3 3.3 1.1	3.465 3.465 1.21	V
DC supply voltage for HDMI TX	HDMITX_AVDD_3V3 HDMITX_DVDD_1V1	3.135 0.99	3.3 1.1	3.465 1.21	V
DC supply voltage for PLL	PLL_AVDD_3V3 PLL_AVDD_1V1	3.135 0.99	3.3 1.1	3.465 1.21	V
PLL input clock frequency		N/A	24	N/A	MHz
Operating Temperature		-20	25	80	°C

3.3 DC Characteristics

Table 3-3 RK628F DC Characteristics

Parameters	Symbol	Min	Typ	Max	Units
Digital GPIO @3.3V for GPIO0/1/2/3	Input Low Voltage	Vil	-0.3	0	V
	Input High Voltage	Vih	2.0	3.3	V
	Output Low Voltage	Vol	NA	0	V
	Output High Voltage	Voh	2.4	3.3	V
	Threshold Point	Vtr+	1	1.16	1.34

Parameters		Symbol	Min	Typ	Max	Units
		Vtr-	1.02	1.19	1.39	V
	Pullup Resistor	Rpu	26	46	71	Kohm
	Pulldown Resistor	Rpd	27	48	102	Kohm
Digital GPIO @1.8V for GPIO0/1/2/3	Input Low Voltage	Vil	-0.3	0	0.58	V
	Input High Voltage	Vih	1.27	1.8	3.15	V
	Output Low Voltage	Vol	NA	0	0.45	V
	Output High Voltage	Voh	1.40	1.8	NA	V
	Threshold Point	Vtr+	0.9	0.95	1.01	V
		Vtr-	0.91	0.97	1.03	V
	Pullup Resistor	Rpu	/	50	/	Kohm
Pulldown Resistor	Rpd	/	50	/	Kohm	

3.4 Recommended Operating Frequency

Table 3-4 RK628F Recommended Operating Frequency

Parameter	Condition	Symbol	Min	Typ	Max	Unit
CPLL	1.1V , 25 °C	cpll	270	1188	1600	MHz
	1.21V , -40 °C		270	1188	1600	
	0.99V , 125 °C		270	1188	1600	
GPLL	1.1V , 25 °C	gppll	270	984	1600	MHz
	1.21V , -40 °C		270	984	1600	
	0.99V , 125 °C		270	984	1600	
APLL	1.1V , 25 °C	apll	270	984	1600	MHz
	1.21V , -40 °C		270	984	1600	
	0.99V , 125 °C		270	984	1600	
HDMI RX CTRL	1.1V , 25 °C	dclk_rx	13.5	594	600	MHz
	1.21V , -40 °C		13.5	594	600	
	0.99V , 125 °C		13.5	594	600	
Process	1.1V , 25 °C	Sclk	13.5	594	600	MHz
	1.21V , -40 °C		13.5	594	600	
	0.99V , 125 °C		13.5	594	600	

Chapter 4 Thermal Management

4.1 Overview

For reliability and operability concerns, the absolute maximum junction temperature has to be below 125°C.

4.2 Package Thermal Characteristics

Table 4-1 provides the thermal resistance characteristics for the package used on the SoC. The resulting simulation data for reference only, please prevail in kind test.

Table 4-1 Thermal Resistance Characteristics

Parameter	Symbol	Typical	Unit
Junction-to-ambient thermal resistance	θ_{JA}	42.36	(°C/W)
Junction-to-board thermal resistance	θ_{JB}	18.52	(°C/W)
Junction-to-case thermal resistance	θ_{JB}	20.51	(°C/W)

Note: The testing PCB is 4 layers, 114.3mmx101.6mm, 1.6mm thickness, Ambient temperature is 25°C.

X-ON Electronics

Largest Supplier of Electrical and Electronic Components

Click to view similar products for [Video ICs category](#):

Click to view products by [Rockchip manufacturer](#):

Other Similar products are found below :

[TW2964-LA2-CR](#) [TW6816-LA1-GR](#) [PI3HDX414FCEEX](#) [PI3HDX511DZLEX](#) [PI3HDX511EZLSEX](#) [TW8847-LA1-CE](#) [EL1881CS](#)
[TVP5146M2IPFPR](#) [TW2809-BC1-GR](#) [TW2816-TA1-GR](#) [TW2826-LA2-CR](#) [TW2880P-BC2-GR](#) [TW2960-LA1-CR](#) [TW6802B-LA2-GR](#)
[TW6815-LA1-GR](#) [TW9903-MBS](#) [GS12170-IBE3](#) [ADV7181CWBSTZ-REEL](#) [ADV7533BCBZ-RL7](#) [LM1881](#) [ALC897-VA2-CG](#)
[SSD2831QL9](#) [BH76812FVM-TR](#) [TC74VHC00F\(EL,K,F\)](#) [RK628F](#) [TW9910-NB2-GR](#) [ADV7181DBCPZ-RL](#) [TVP5160PNP](#) [TVP5151PBSR](#)
[BA7603F-E2](#) [BA7606FS-E2](#) [BA7626F-E2](#) [BH76112HFV-TR](#) [BH76361FV-E2](#) [BH76362FV-E2](#) [TVP5154APNPR](#) [GS2970AIBTE3](#)
[SII163BCTG100](#) [ADV7280AWBCPZ-RL](#) [ADV7391BCPZ-REEL](#) [NJM2575F1-TE1](#) [LMH1297RTVT](#) [GS12281-INE3](#) [TVP5151IZQC](#)
[CYV15G0203TB-BGXC](#) [MU82645DES S LM6B](#) [BH76106HFV-TR](#) [BH76206HFV-TR](#) [ADV7535BCBZ-RL7](#) [ADV7611BSWZ-P-RL](#)