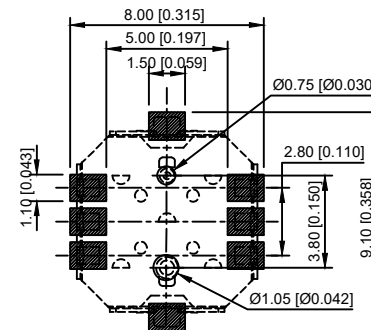
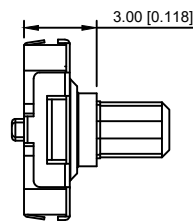


Rating	DC 15V 20mA	
Contact Resistance	100mΩ Max.	
Insulation Resistance	100MΩ Min.	
Withstand Voltage	AC 250V Min.	
Operating Force	4 Direction	240±50gf
	Center	360±50gf
Travel	4 Direction	0.25±0.1mm
	Center	0.15±0.1mm
Operating Life(cycles)	200,000	
General Tolerance	±0.2	



P.C.B LAYOUT
TOP VIEW

A4				
A3				
A2				
A1				
REV	DATE	REVISION	DESCRIPTION	ISSUE



COMMON TOLERANCE

X.XX	± 0.10
X.X	± 0.15
X	± 0.25
ANGULAR	—

UNIT	MM	PROJECTED	
DRAWN BY	FUYUAN	CHECKED BY	COCO
DATE	2019	APPROVAL B	ALEN

PRODUCT NAME:

MODEL NO: TP-0207-2

Https: www.rocpcu.tw

ROCPCU TECHNOLOGY CO.,LTD

Copies are issued in strict confidence and shall not be reproduced or copied, or used as the basis of manufacture or sale of apparatus without permission

X-ON Electronics

Largest Supplier of Electrical and Electronic Components

Click to view similar products for [Multi-Directional Switches](#) category:

Click to view products by [ROCPU Technology](#) manufacturer:

Other Similar products are found below :

[RA3CSH6A](#) [APTCFVTR](#) [RKJXW1014002](#) [RKJXW2014001](#) [TSWA-3N-CUP2-LFS](#) [TSW A-3N-CUP-LFS](#) [3J2115-200N](#) [3J2015-200](#)
[3J2015-200N](#) [10*10*9-6P WX](#) [7*7*5-6P-L WX](#) [7*7*6-6P-L WX](#) [7*7*6-6P WX](#) [7*7*5-6P WX](#) [RKJXV122400R](#) [K1-5203UA-06A](#)
[RKJXV122400D](#) [SKQUBAE010](#) [CS41001E](#) [T4-0010](#) [2200-000301](#) [T4-CN211N](#) [T4-CD2212](#) [RKJXK1210002](#) [RKJXK122000D](#)
[RKJXK122400Y](#) [RKJXL100401V](#) [RKJXM1015004](#) [RKJXM2E13001](#) [RKJXM2E13004](#) [RKJXS1004001](#) [RKJXT1F42001](#) [RKJXV1220001](#)
[RKJXV1224005](#) [RKJXY1000006](#) [SKQUDBE010](#) [SKRHAAE010](#) [SKRHABE010](#) [SKRHACE010](#) [SKRHADE010](#) [SLLB120100](#)
[SLLB120200](#) [SLLB120300](#) [SLLB510100](#) [SLLB510200](#) [SLLB520100](#) [SLLB520200](#) [SRBE110301](#) [SRBE210200](#) [AMPTFP2VTR](#)