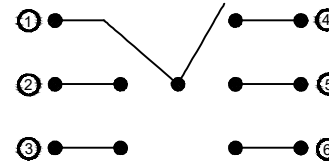
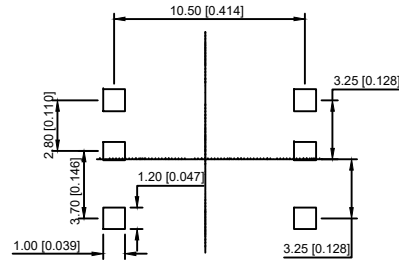
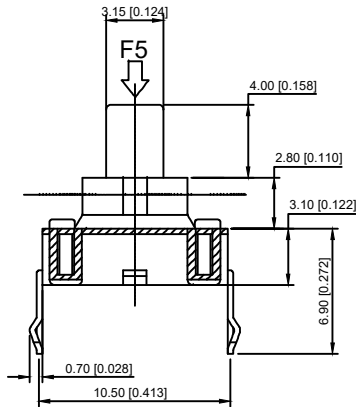


Technical parameter	
Rated load:	0.1A DC12V
Insulation resistance:	100MΩ min(DC100V)
Compressive strength:	AC100V(50/60HZ for 1 minute)
life:	50,000 cycles
Operating temperature:	-10 +60
Operating strength:	4-150±50gf
	1-250±50gf



	1	2	3	4	5	6
F1	●			●		
F2	●	●				
F3	●					●
F4	●			●		
F5		●				

⑦		—				
⑥	Contact	—	5	F.ag/Brass	Plating silver	
⑤	Terminal	—	6	Brass(0.15t)	Plating silver	
④	Base	—	1	Lcp		
③	Cover	—	1	Sus		
②	Axle sleeve	—	1	Lcp		
①	Knob	—	1	PA66		
ITEM	PAPT NAMF	TER,NO	QTY	MATERIAL	FINISHING	REMARK

A4				
A3				
A2				
A1				
REV	DATE	REVISION DESCRIPTION	ISSUE	



COMMON TOLERANCE

X.XX	± 0.10
X.X	± 0.15
X	± 0.25
ANGULAR	—

UNIT	MM	PROJECTED		PRODUCT NAME:
DRAWN BY	FUYUAN	CHECKED BY	COCO	MODEL NO: TP-0208-1
DATE	2019	APPROVAL B	ALEN	Https: www.rocpcu.tw
ROCPCU TECHNOLOGY CO.,LTD				
Copies are issued in strict confidence and shall not be reproduced or copied, or used as the basic of manufacture or sale of apparatus without permission				

X-ON Electronics

Largest Supplier of Electrical and Electronic Components

Click to view similar products for [Multi-Directional Switches](#) category:

Click to view products by [ROCPU Technology](#) manufacturer:

Other Similar products are found below :

[RA3CSH6A](#) [APTCFVTR](#) [RKJXW1014002](#) [RKJXW2014001](#) [TSWA-3N-CUP2-LFS](#) [TSW A-3N-CUP-LFS](#) [3J2115-200N](#) [3J2015-200](#)
[3J2015-200N](#) [10*10*9-6P WX](#) [7*7*5-6P-L WX](#) [7*7*6-6P-L WX](#) [7*7*6-6P WX](#) [7*7*5-6P WX](#) [RKJXV122400R](#) [K1-5203UA-06A](#)
[RKJXV122400D](#) [SKQUBAE010](#) [CS41001E](#) [T4-0010](#) [2200-000301](#) [T4-CN211N](#) [T4-CD2212](#) [RKJXK1210002](#) [RKJXK122000D](#)
[RKJXK122400Y](#) [RKJXL100401V](#) [RKJXM1015004](#) [RKJXM2E13001](#) [RKJXM2E13004](#) [RKJXS1004001](#) [RKJXT1F42001](#) [RKJXV1220001](#)
[RKJXV1224005](#) [RKJXY1000006](#) [SKQUDBE010](#) [SKRHAAE010](#) [SKRHABE010](#) [SKRHACE010](#) [SKRHADE010](#) [SLLB120100](#)
[SLLB120200](#) [SLLB120300](#) [SLLB510100](#) [SLLB510200](#) [SLLB520100](#) [SLLB520200](#) [SRBE110301](#) [SRBE210200](#) [AMPTFP2VTR](#)