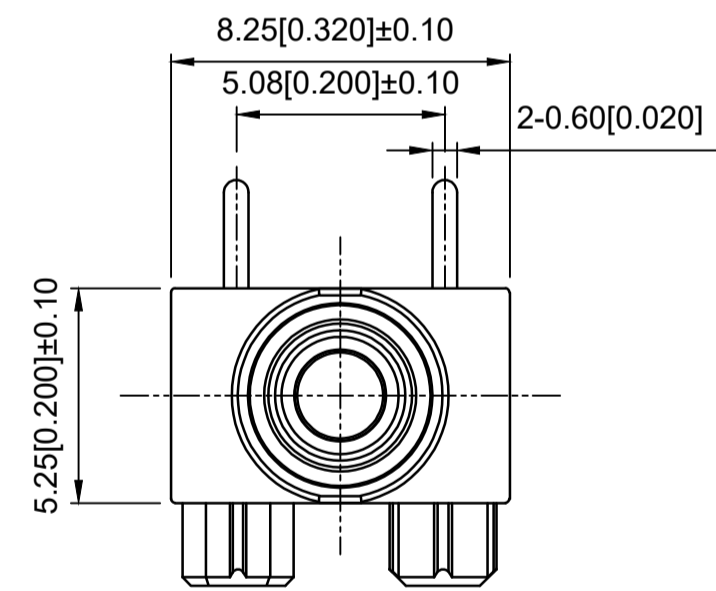
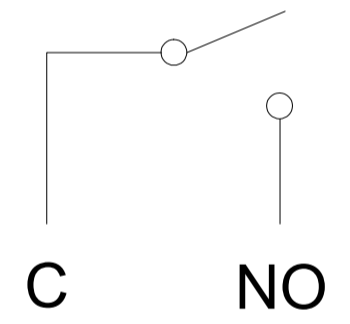


Circuit diagram



| | | |
|---|------------------------|-----------------|
| 1 | Rubber shell | PA66 |
| 2 | Seal ring | Silica gel |
| 3 | Base | Brass+PA66 |
| 4 | According to sincerity | Pom |
| 5 | Contact moving plate | Phosphor bronze |
| 6 | Strut | SUS |

Technical Parameters

技术参数

- Electrical Rating: 0.1A 125/250VAC
3A/12VDC; 0.1A/48VDC
1.电气额定值: 0.1A 125/250VAC
3A/12VDC; 0.1A/48VDC
- Electrical lifetime: 100,000 cycles
2.电气寿命: 100,000 cycles
- Mechanical lifetime: 100,000 cycles
3.机械寿命: 100,000 cycles
- Contact Resistance: ≤50mΩ
4.接触电阻: ≤50兆欧
- Operating force: 1.5N MAX
5.操作力: 1.5N MAX
- working temperature: -25~ + 105°C
6.工作温度: -25~ + 105°C
- FP: 7.6mm MAX
7.自有位置: 7.6mm MAX
- OP: 7.1±0.5mm
8.动作位置: 7.1±0.5mm
- TTP: 5.1mm Min
9.总行程行程: 5.1mm Min
- Withstand Voltage: Feet and Feet 500V/5S/5mA
Feet and Shell 1500/5S/5mA
10.耐压: 脚与脚 500/5s/5mA
脚与壳 1500/5S/5mA
- Insulation Resistance: ≥100MΩ
11.绝缘电阻: ≥100MΩ
- Proof Tracking Index(PTI): 175V
12.漏电起痕指数 (PTI): 175V
- Ambient temperature: 125°
13.环境温度: 125°
- Waterproof grade: IP67
14.防水等级: IP67

| | | | | |
|-----|------|----------|-------------|-------|
| A4 | | | | |
| A3 | | | | |
| A2 | | | | |
| A1 | | | | |
| REV | DATE | REVISION | DESCRIPTION | ISSUE |



| | |
|------------------|--------|
| COMMON TOLERANCE | |
| X.XX | ± 0.10 |
| X.X | ± 0.15 |
| X | ± 0.25 |
| ANGULAR | — |

| | | | | |
|----------|--------|------------|------|-----------------------|
| UNIT | MM | PROJECTED | | PRODUCT NAME: |
| DRAWN BY | FUYUAN | CHECKED BY | COCO | MODEL NO: TP330113000 |
| DATE | 2019 | APPROVAL B | ALEN | Https: www.rocpcu.tw |

ROCPCU TECHNOLOGY CO.,LTD

Copies are issued in strict confidence and shall not be reproduced or copied, or used as the basic of manufacture or sale of apparatus without permission

X-ON Electronics

Largest Supplier of Electrical and Electronic Components

Click to view similar products for [Basic / Snap Action Switches](#) category:

Click to view products by [ROCPU Technology](#) manufacturer:

Other Similar products are found below :

[5SM901-S12](#) [5SM9-S12N195](#) [602EN532](#) [602EN535-RB](#) [602HE5-RB1](#) [604HE223-6B](#) [624HE17-RB](#) [6HM82](#) [6SE1](#) [6SX1-H58](#) [71051](#) [714-0293](#) [MBH2731](#) [79211923](#) [79218589](#) [MIL30126AB6BBMD4A12XAU](#) [ML-1155](#) [ML-1376](#) [831010C3.0](#) [831090C2.EL](#) [83131904](#) [84212012](#) [8AS239](#) [8HM73-3](#) [8SX26-H33](#) [914CE1-6G](#) [11SM1077-H4](#) [11SM1077-H58](#) [11SM1-TN107](#) [11SM405](#) [11SM703-T](#) [11SM8423-H2](#) [11SX37-T](#) [11SX48-H58](#) [11SM2442-T](#) [11SM76-T](#) [11SM77-H58](#) [11SM77-T](#) [11SM863-T](#) [11SM866](#) [121EN188-R](#) [1245.0120](#) [125EN56-RB](#) [D433V3RD](#) [1267.0101](#) [1267.7101](#) [D4BFC1](#) [12SM4-T2](#) [12SX2-T2](#) [1298.0101](#)