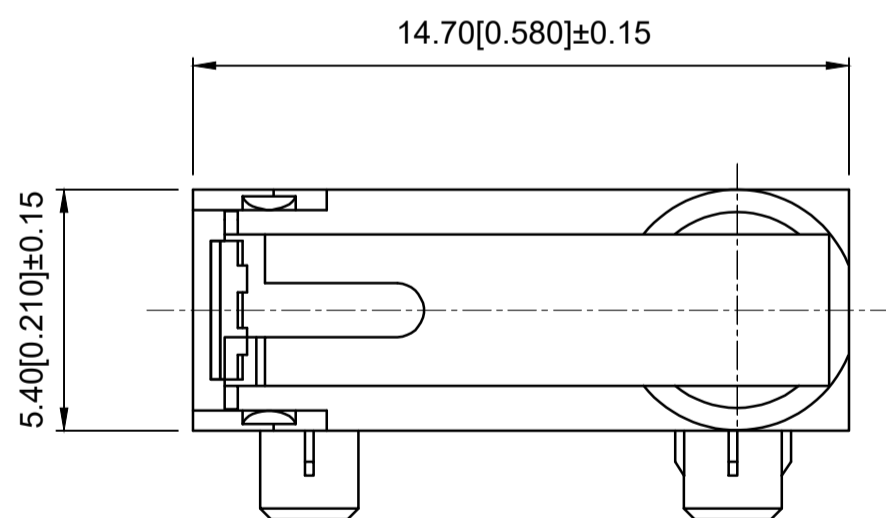
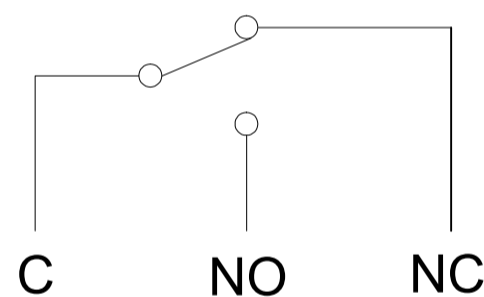


Circuit diagram



1	Rubber shell	PA66
2	Seal ring	Silica gel
3	Base	Brass+PA66
4	According to sincerity	Pom
5	Contact moving plate	Phosphor bronze
6	Strut	SUS

Technical Parameters

技术参数

- Electrical Rating: 0.1A 125/250VAC  
3A/12VDC; 0.1A/48VDC  
1.电气额定值: 0.1A 125/250VAC  
3A/12VDC; 0.1A/48VDC
- Electrical lifetime: 100,000 cycles  
2.电气寿命: 100,000 cycles
- Mechanical lifetime: 100,000 cycles  
3.机械寿命: 100,000 cycles
- Contact Resistance: ≤50mΩ  
4.接触电阻: ≤50兆欧
- Operating force: 2.2N MAX  
5.操作力: 2.2N MAX
- Operation Position: 7.1±0.5mm  
6.动作位置: 7.1±0.5mm
- Pretravel: 3.0mm  
7.动作行程: 3.0mm
- Withstand Voltage: Feet and Feet 500V/5S/5mA  
Feet and Shell 1500/5S/5mA  
8.耐压: 脚与脚 500/5s/5mA  
脚与壳 1500/5S/5mA
- Insulation Resistance: ≥100MΩ  
9.绝缘电阻: ≥100MΩ
- Proof Tracking Index(PTI): 175V  
10.漏电起痕指数 (PTI): 175V
- Ambient temperature: 125°  
11.环境温度: 125°
- Waterproof grade: IP67  
12.防水等级: IP67
- working temperature: -25°C ~ + 105°C  
13.工作温度: -25°C ~ + 105°C

A4				
A3				
A2				
A1				
REV	DATE	REVISION	DESCRIPTION	ISSUE



COMMON TOLERANCE

X.XX	± 0.10
X.X	± 0.15
X	± 0.25
ANGULAR	—

UNIT	MM	PROJECTED		PRODUCT NAME:
DRAWN BY	FUYUAN	CHECKED BY	COCO	MODEL NO: TP3305141365
DATE	2019	APPROVAL B	ALEN	Https: www.rocpcu.tw

**ROCPCU TECHNOLOGY CO.,LTD**

Copies are issued in strict confidence and shall not be reproduced or copied, or used as the basis of manufacture or sale of apparatus without permission

## X-ON Electronics

Largest Supplier of Electrical and Electronic Components

*Click to view similar products for [Basic / Snap Action Switches](#) category:*

*Click to view products by [ROCPU Technology](#) manufacturer:*

Other Similar products are found below :

[5SM901-S12](#) [5SM9-S12N195](#) [602EN532](#) [602EN535-RB](#) [602HE5-RB1](#) [604HE223-6B](#) [624HE17-RB](#) [6HM82](#) [6SE1](#) [6SX1-H58](#) [71051](#) [714-0293](#) [MBH2731](#) [79211923](#) [79218589](#) [MIL30126AB6BBMD4A12XAU](#) [ML-1155](#) [ML-1376](#) [831010C3.0](#) [831090C2.EL](#) [83131904](#) [84212012](#) [8AS239](#) [8HM73-3](#) [8SX26-H33](#) [914CE1-6G](#) [11SM1077-H4](#) [11SM1077-H58](#) [11SM1-TN107](#) [11SM405](#) [11SM703-T](#) [11SM8423-H2](#) [11SX37-T](#) [11SX48-H58](#) [11SM2442-T](#) [11SM76-T](#) [11SM77-H58](#) [11SM77-T](#) [11SM863-T](#) [11SM866](#) [121EN188-R](#) [1245.0120](#) [125EN56-RB](#) [D433V3RD](#) [1267.0101](#) [1267.7101](#) [D4BFC1](#) [12SM4-T2](#) [12SX2-T2](#) [1298.0101](#)