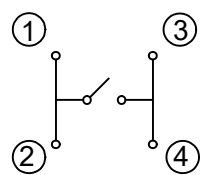
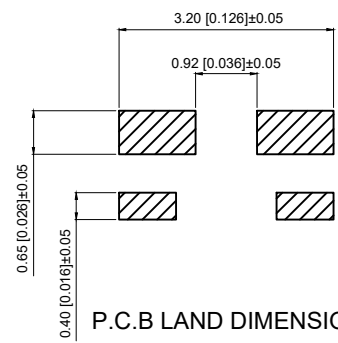
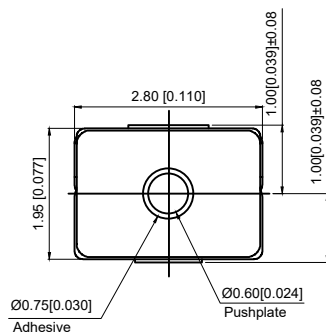


Specifications

规格
 Rating: 20mA/15V
 额定负荷: 20mA/15V
 Contact Resistance: ≤500mΩ max
 接触电阻: ≤500mΩ max
 Insulation resistance: ≥50mΩ
 绝缘电阻: ≥50mΩ
 Dielectric strength: AC250V(50~60HZ)60S min
 抗电强度: AC250V(50~60HZ)60S min
 Operation force: 160±50gf
 操作力: 160±50gf
 Operating Life: 300,000 cycles
 寿命: 300,000 cycles
 Travels: 0.13±0.05mm
 行程: 0.13±0.05mm
 Operating Temperature range: -40°C ~ +90°C
 使用温度范围: -40°C ~ +90°C



5	TERMINAL	1	PHOSPHORBRONZE	
4	BASE	1	PA9T	
3	CONTACT	2	STAINLESS STEEL	SILVER CLADDING
2	STEM	1	HIGH-TEMP POLYIMIDE	BLACK
1	TAPE	1	HIGH-TEMP POLYAMIDE FILM	SILVER PLATING
ITEM	DESC.	Q'TY	MATERIALS	TREATMENT

A4				
A3				
A2				
A1				
REV	DATE	REVISION	DESCRIPTION	ISSUE
	A			B



COMMON TOLERANCE	
X.XX	± 0.10
X.X	± 0.15
X	± 0.25
ANGULAR	—

UNIT	MM	PROJECTED	
DRAWN BY	FUYUAN	CHECKED BY	COCO
DATE	2019	APPROVAL B	ALEN

PRODUCT NAME:
 MODEL NO: TP40521116
 Https: www.rocpu.tw

ROCPCU TECHNOLOGY CO.,LTD

Copies are issued in strict confidence and shall not be reproduced or copied, or used as the basic of manufacture or sale of apparatus without permission

X-ON Electronics

Largest Supplier of Electrical and Electronic Components

Click to view similar products for [Tactile Switches](#) category:

Click to view products by [ROCPU Technology](#) manufacturer:

Other Similar products are found below :

[6407-250V-25273P](#) [ADTSA62NV](#) [B3F-3123](#) [1977177-8](#) [1977266-1](#) [ADTSA63NV](#) [ADTSM21NSVTR](#) [ADTSM25RVTR](#) [ADTSM32NVTR](#)
[ADTSMW64RV](#) [1977120-6](#) [FSMRA4JHA04](#) [GS4.70F300QP](#) [KSC241J SP DELTA LFS](#) [3FTL600RAS](#) [3FTL640RAS](#) [6407-250V-25343P](#)
[ADTSM31NVTR](#) [2-1977120-7](#) [TSJW-5.2-260-TR](#) [Y651050400P](#) [KMT011MNGJLHS](#) [70-201.0](#) [ADTSG648NV](#) [ADTSM62KSVTR](#)
[ADTSM648NV](#) [95C06E3RAT](#) [3ATH9Q](#) [FSMRA8JHA04](#) [HARS0073](#) [Y33R411N9FPLFT](#) [Y33R51139FPLFT](#) [Y31C01402FPLFS](#)
[PTS645SK50SMTR92](#) [ADTSM32NVB](#) [KMS233GPWTLFG](#) [Y78B64124FP](#) [Y31CJ244KFP LFS](#) [Y96D113G0FP LFS](#) [Y33A812C5FP LFT](#)
[Y56B2D120FP LFS](#) [Y31C5144KFP LFS](#) [PTS645 DVM83-BN125-2 LFS](#) [B3W 1000G](#) [KSC621G OL LFS](#) [B3F 1002C](#) [B3F 0047H](#) [B3W](#)
[1002C](#) [B3F 5001G](#) [B3W 1100C](#)