

A

B

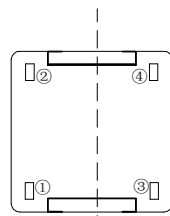
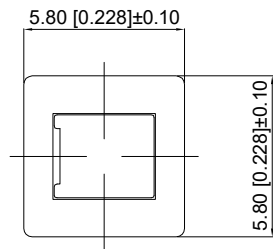
C

D

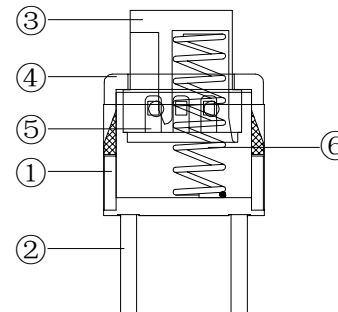
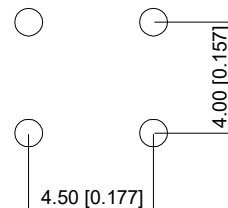
E

F

G



向视图



行程与通电状态对照

行程状态 (mm)	通电状态
0-0.5	3-1 4-2 1与2导通, 3与4导通
0.5-2.0	3-1 4-2 全断开

3.60 [0.142]

3.00 [0.118]±0.10

5.00 [0.197]±0.10

3.00 [0.118]

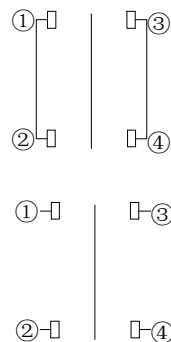
8.00 [0.315]±0.20 (ON)

6.80 [0.268]±0.20 (OFF)

4.50 [0.177]±0.20

4.00 [0.157]±0.20

3.50 [0.138]±0.20



Circuit diagram

电路简图

Normal: 1-2 on, 3-4 on
 常态: 1-2导通, 3-4导通
 Press: all disconnected
 按下: 全部断开

Technical parameter

技术参数

1. Rated current: 100mA 30V DC
1. 额定电流: 100mA 30V DC
2. Contact resistance: $\leq 200m\ \Omega$
2. 接触电阻: $\leq 200m\ \Omega$
3. Operating force: $260gf \pm 50gf$
3. 操作力: $260gf \pm 50gf$
4. Maximum stroke: $2.0 \pm 0.2mm$
4. 最大行程: $2.0 \pm 0.2mm$

5. Insulation resistance: $\geq 100M\ \Omega$ 5. 绝缘电阻: $\geq 100M\ \Omega$

6. Electric strength: AC250v 50Hz 1Min

6. 抗电强度: AC250v 50Hz 1Min

7. Service life: 10000 times

7. 寿命: 10000次

8. Switch similar: No lock

8. 开关类似: 无锁

ITEM	Name	Materials	NUM	COLOR
6	Spring 弹簧	SUS 不锈钢丝	1	Natural color 本色
5	reed 簧片	Composite silver 复合银	1	Natural color 本色
4	Upper cover 上盖	PA66	1	black 黑色
3	handle 按柄	PA66	1	pale 灰白
2	terminal 端子	Brass 黄铜	1	Natural color/silver 本色/镀银
1	Pedestal 基座	PA66	1	black 黑色

REV	DATE	REVISION	DESCRIPTION	ISSUE
A4				
A3				
A2				
A1				



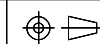
COMMON TOLERANCE

X.XX	± 0.10
X.X	± 0.15
X	± 0.25
ANGULAR	—

UNIT

MM

PROJECTED



PRODUCT NAME:

DRAWN BY

FUYUAN

CHECKED BY

COCO

MODEL NO: TP55821280

DATE

2019

APPROVAL B

ALEN

Https: www.rocpcu.tw

ROCPCU TECHNOLOGY CO., LTD

Copies are issued in strict confidence and shall not be reproduced or copied, or used as the basis of manufacture or sale of apparatus without permission

X-ON Electronics

Largest Supplier of Electrical and Electronic Components

Click to view similar products for [Pushbutton Switches](#) category:

Click to view products by [ROCPU Technology](#) manufacturer:

Other Similar products are found below :

[8971K1133](#) [LW2L-M1C20M-A](#) [M22-D-R-GB0/K11](#) [67021K512](#) [701PB580](#) [7199K101](#) [810K12910](#) [810KSV30B](#) [FLT 2U EE 01A](#)
[MML21EA2ADK](#) [MML21KA3ABK](#) [MML23KA3AC05K-001](#) [MML23KW3AA01W](#) [8418K2](#) [8442K3](#) [8450K1](#) [860K11911T01A](#) [861901](#)
[861K11911T01A07](#) [861K13810T00A14](#) [861K13911](#) [8646AB6X718UL](#) [9533CD4+U574+U4922](#) [99-450.837](#) [99-453.837](#)
[A2PMA1X03EC56](#) [A3A-7310](#) [A3A-7340](#) [12037A2ULCSA](#) [1203A2UL](#) [ABGW410-R](#) [1211390004](#) [ABN400-R](#) [121382](#) [1213C3](#) [HE3B-M2](#)
[1211500044](#) [121194](#) [1212MRA](#) [1232A6NF](#) [1241.1183.7047](#) [121489](#) [1223A2ULCSA](#) [1241.1183.8000](#) [1241.1183.8029](#) [D5P-MT4](#)
[13435AG](#) [13445AD29GX768](#) [AG23-L2](#) [AH165-2SGLG1TE3](#)