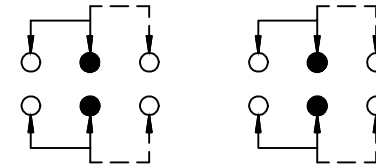


PCB LAYOUT BOTTOM VIEW



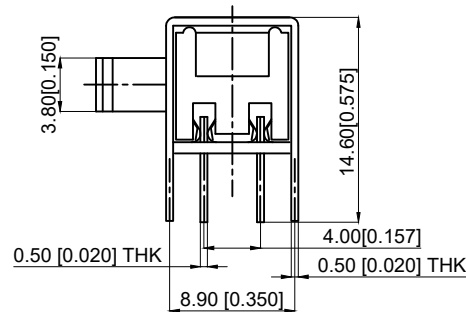
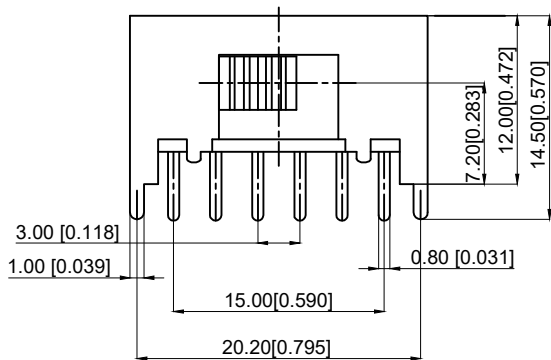
SCHEMATIC(SHORTING)

1.Specification:

1. 规范:
2. Rating:1.0A/DC24V
2. 额定值: 1.0A/DC24V
3. Contact resistance:≤50mΩ
3. 接触电阻: ≤50mΩ
4. Insulation Resistance:≥100MΩ DC250V
4. 绝缘电阻: ≥100MΩDC250V
5. Compressive strength:AC250V 1minute
5. 抗压强度: AC250V 1分钟

6.Operating temperature:-25℃ to +70℃

6. 工作温度: -25℃至 +70℃
7. Storage humidity:<85%RH
7. 储存湿度: <85%RH
8. Electrical life:10,000Cycles
8. 电气寿命: 10000次
9. Operating Force:260±80gf
9. 操作力: 260±80gf



7	STEEL BALL 钢珠	STEEL	1	NATURAL
6	SPRING PLATE 簧片	STEEL WIRE	1	TEMPER
5	CONTACT CLIP 接触片	PBS STRIP	4	Ag CLAD
4	TERMINAL 端子	BRASS	12	Ag PLATED
3	BASE 底座	PHENOLIC RESIN	1	NATURAL
2	FRAME 框架	STEEL	1	Ni PLATED
1	KBOB 手柄	PA66	1	BLACK
NO 序号	Part name 部件名	Material 材料	QTY 数量	Remark 备注

A4				
A3				
A2				
A1				
REV	DATE	REVISION	DESCRIPTION	ISSUE
		A		B



COMMON TOLERANCE

X.XX	± 0.10
X.X	± 0.15
X	± 0.25

ANGULAR

UNIT	MM	PROJECTED		PRODUCT NAME:
DRAWN BY	FUYUAN	CHECKED BY	COCO	MODEL NO: TP60421125
DATE	2019	APPROVAL B	ALEN	Https: www.rocpu.tw
<b>ROCPCU TECHNOLOGY CO.,LTD</b>				
Copies are issued in strict confidence and shall not be reproduced or copied, or used as the basic of manufacture or sale of apparatus without permission				

## X-ON Electronics

Largest Supplier of Electrical and Electronic Components

*Click to view similar products for [Slide Switches](#) category:*

*Click to view products by [ROCPU Technology](#) manufacturer:*

Other Similar products are found below :

[6-1437581-1](#) [M43R](#) [MHS123K15D](#) [MHS133K](#) [MMD](#) [MSS12A](#) [1825074-1](#) [1825160-3](#) [1825167-2](#) [1825289-7](#) [K232CB](#) [25139NLDB](#)  
[25449NAH](#) [SLB1240R45](#) [1825078-1](#) [1825080-4](#) [1825269-1](#) [1825270-2](#) [STS141RA04](#) [T2215BEN506](#) [GH46P000001](#) [GH49P010001](#)  
[25339NA](#) [25436NLDH](#) [M42A](#) [AYZ0202AG](#) [L203091MS02Q](#) [4-1437581-7](#) [48BFSP3M2QT](#) [1101M1S3ZB8E2](#) [1-1437581-1](#)  
[EG1218REDACTUATOR](#) [MSS2225G04](#) [MSS42G](#) [T105S1CWZBE](#) [SLB124145](#) [SLB1280R5](#) [TG39W000050](#) [25149NAH](#) [25439NAH](#)  
[25436NAH6](#) [TG36Y000050](#) [SL-1211C1B8](#) [46204LRX](#) [1977143-4](#) [1977144-4](#) [HASS0194](#) [JS0001](#) [SSJ12R04](#) [GR5-1323-0800](#)