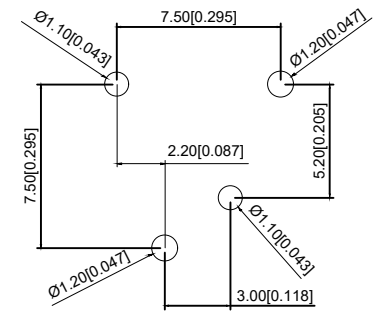
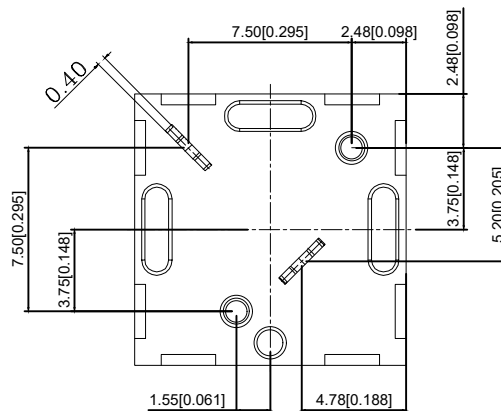
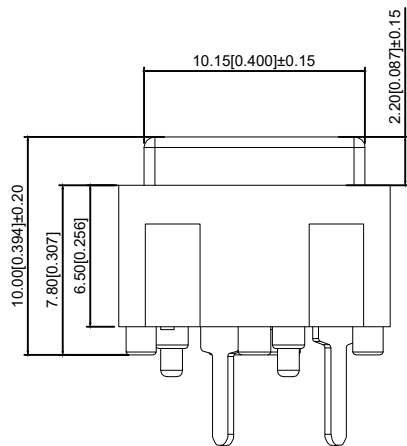


Circuit diagram



PCB SOLDER LAND DIMENSIONS



Rated electric load: AC/DC50V 25mA  
 额定电负荷: AC/DC12V 25mA  
 Withstand voltage strength: AC500V (50/60Hz foy 1minute)  
 耐压强度: AC500V (50/60Hz foy 1minute)  
 Insulation resistance: ≥ 100MΩ min(DC100v)  
 绝缘电阻: ≥ 100MΩ min(DC100V)  
 Contact impedance: 100M Ω Max  
 接触阻抗: 100mΩ max  
 Electrical life: 30000 cycles min  
 电气寿命: 30000 cycles min  
 Conduction stroke: 0.6mm (±0.3mm)  
 导通行程: 0.6mm (±0.3mm)  
 Action force: 300gf ± 100gf  
 力度: 300gf ± 100gf  
 Operation type: touch reply  
 操作类型: 触动回复式

4	terminal	2	BASS	silver (Ag)
3	Shrapnel	1	SUS	Concave gold coating
2	Base	1	PA46	black
1	Press handle	1	ABS	black
Serial number	NAME	QUANTITY	Texture of material	Plating/colour

A4			
A3			
A2			
A1			
REV	DATE	REVISION DESCRIPTION	ISSUE



COMMON TOLERANCE

X.XX	± 0.10
X.X	± 0.15
X	± 0.25
ANGULAR	—

UNIT	MM	PROJECTED		PRODUCT NAME:
DRAWN BY	FUYUAN	CHECKED BY	COCO	MODEL NO: TP-66015
DATE	2019	APPROVAL B	ALEN	Https: www.rocpcu.tw
<b>ROCPCU TECHNOLOGY CO.,LTD</b>				
Copies are issued in strict confidence and shall not be reproduced or copied, or used as the basic of manufacture or sale of apparatus without permission				

## X-ON Electronics

Largest Supplier of Electrical and Electronic Components

*Click to view similar products for [Tactile Switches](#) category:*

*Click to view products by [ROCPU Technology](#) manufacturer:*

Other Similar products are found below :

[6407-250V-25273P](#) [ADTSA62NV](#) [B3F-3123](#) [1977177-8](#) [1977266-1](#) [ADTSA63NV](#) [ADTSM21NSVTR](#) [ADTSM25RVTR](#) [ADTSM32NVTR](#)  
[ADTSMW64RV](#) [1977120-6](#) [FSMRA4JHA04](#) [GS4.70F300QP](#) [KSC241J SP DELTA LFS](#) [3FTL600RAS](#) [3FTL640RAS](#) [6407-250V-25343P](#)  
[ADTSM31NVTR](#) [2-1977120-7](#) [TSJW-5.2-260-TR](#) [Y651050400P](#) [KMT011MNGJLHS](#) [70-201.0](#) [ADTSG648NV](#) [ADTSM62KSVTR](#)  
[ADTSM648NV](#) [95C06E3RAT](#) [3ATH9Q](#) [FSMRA8JHA04](#) [HARS0073](#) [Y33R411N9FPLFT](#) [Y33R51139FPLFT](#) [Y31C01402FPLFS](#)  
[PTS645SK50SMTR92](#) [ADTSM32NVB](#) [KMS233GPWTLFG](#) [Y78B64124FP](#) [Y31CJ244KFP LFS](#) [Y96D113G0FP LFS](#) [Y33A812C5FP LFT](#)  
[Y56B2D120FP LFS](#) [Y31C5144KFP LFS](#) [PTS645 DVM83-BN125-2 LFS](#) [B3W 1000G](#) [KSC621G OL LFS](#) [B3F 1002C](#) [B3F 0047H](#) [B3W](#)  
[1002C](#) [B3F 5001G](#) [B3W 1100C](#)