

# TPS635 Series 3,5 mm Tact Switches

## Features/Benefits

- Compact size 6 x 3.5 mm
- Variety of switch heights
- Choice of actuation force
- RoHS compliant and compatible

## Typical Applications

- Consumer products
- Instrumentation
- Computer products
- Industrial



## Specification

FUNCTION: Momentary action  
CONTACT ARRANGEMENT: SPST, N.O.  
TERMINALS: PC pins

## Mechanical

ACTUATION FORCE: TPS635 models: 160 grams.  
TPS635 models: 250 grams.  
LIFE EXPECTANCY: 30,000 operations.

## Electrical

CONTACT RATING: 50 mA @ 12 V DC.  
DIELECTRIC STRENGTH: 250 V AC min.  
CONTACT RESISTANCE: 100 mΩ max. initial.  
INSULATION RESISTANCE: 10<sup>11</sup>Ω min.

## Environmental

OPERATING TEMPERATURE: -10°C to 70°C

**NOTE:** Specifications listed above are for switches with standard options.  
For information on specific and custom switches, consult Customer Service Center.

## Process

**SOLDERING:** Preheating to 100°C for 45 sec. max. Keep flux flush with top surface of PCB; do not apply to component side of PCB and area where terminals are located. Soldering to 255°C for 5 sec. max. Clean by brushing on solder surface. Do not clean switch with solvents.

## Materials

**BASE:** 6/6 nylon or glass filled polyester (PBT) (UL 94V-0).  
**ACTUATOR:** 6/6 nylon or polyacetal (UL 94HB).  
**COVER PLATE:** Tin plated stainless steel  
**DOME CONTACTS:** Phosphor bronze, silver clad.  
**STATIONARY CONTACTS:** Brass, silver plated.  
**TERMINALS:** Brass, silver plated. Insert molded.

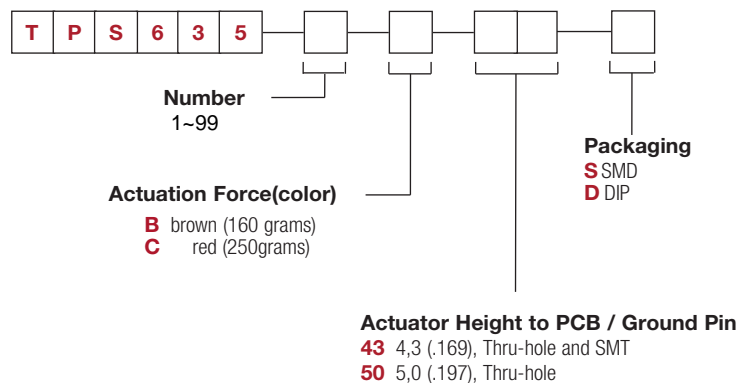
## Packaging

Bulk packaging.

**Tape & reel for:**  
2000 pcs per reel

## How To Order

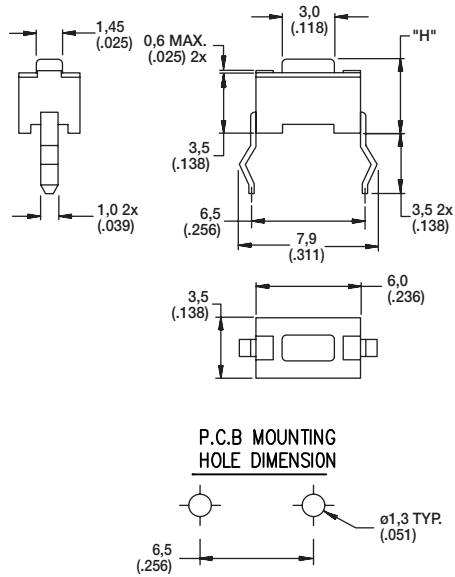
Our easy build-a-switch concept allows you to mix and match options to create the switch you need. To order, select desired option from each category and place it in the appropriate box.



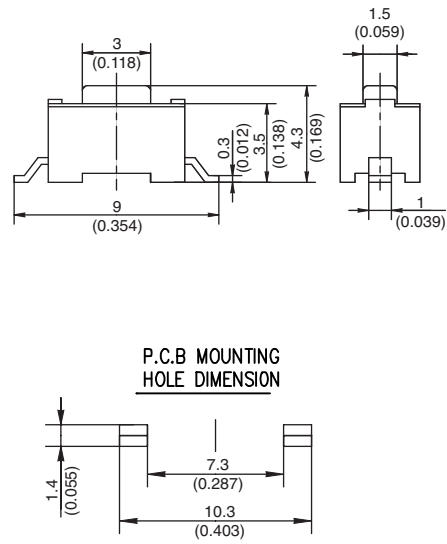
\* SMTR only available with TPS635 43 Actuator Height options.

# TPS635 Series 3,5 mm Tact Switches

## TPS635-1XXXD



## TPS635-2XXXS



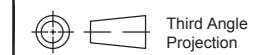
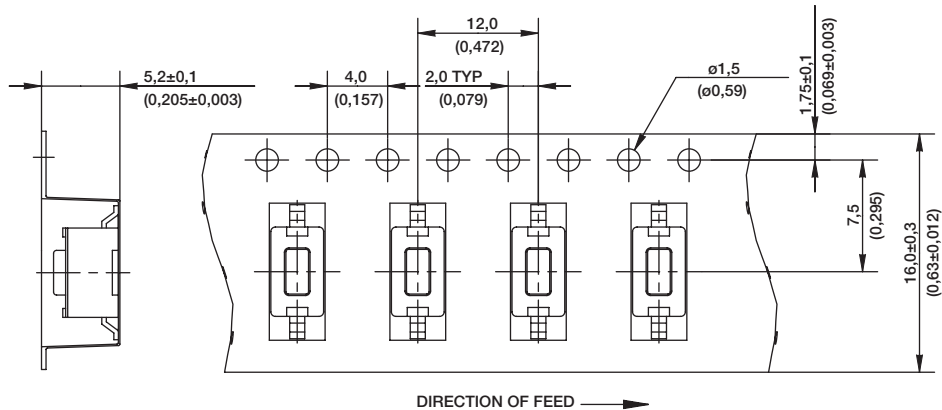
## ACTUATION FORCE

OPTION CODE	FORCE
<b>B</b>	160 grams
<b>C</b>	250 grams

## ACTUATOR HEIGHT

OPTION CODE	HEIGHT "H" or LENGTH "L"	TERMINATION	SCHEMATIC
<b>43</b>	4,3mm	Thru-hole & SMT	1  2
<b>50</b>	5,0 mm	Thru-hole	

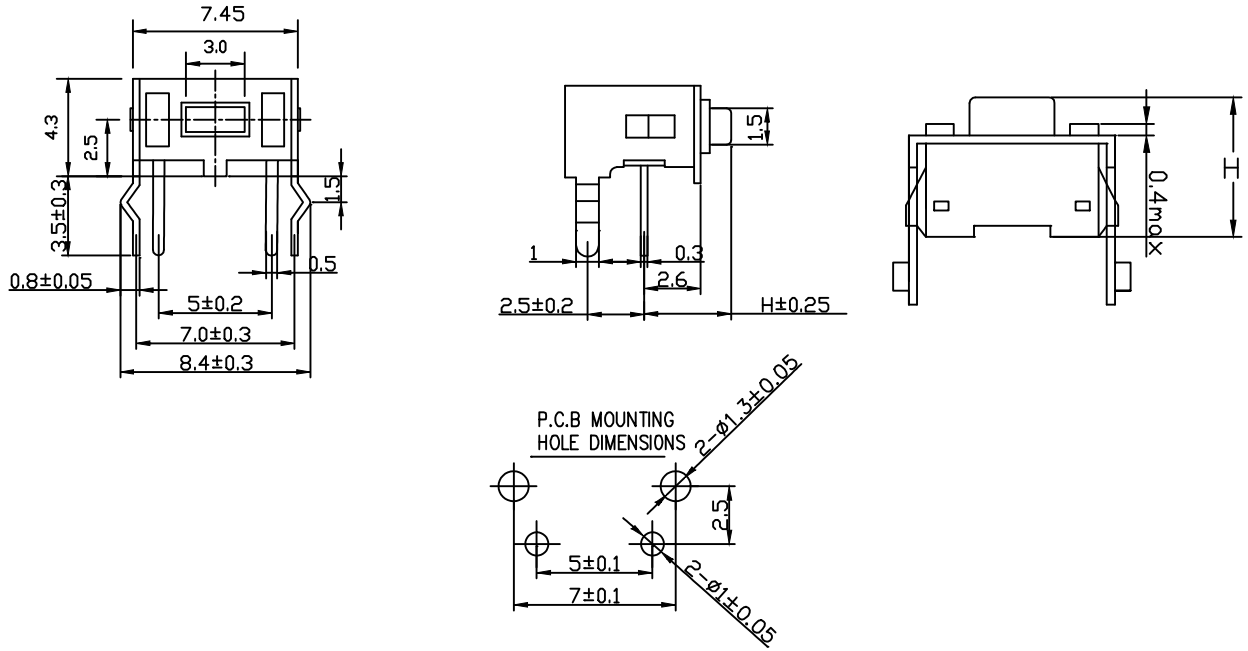
## INSERTION TYPE



Dimensions are shown: mm  
Specifications and dimensions subject to change

# TPS635 Series 3,5 mm Tact Switches

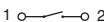
## TPS635-3XXXD



## ACTUATION FORCE

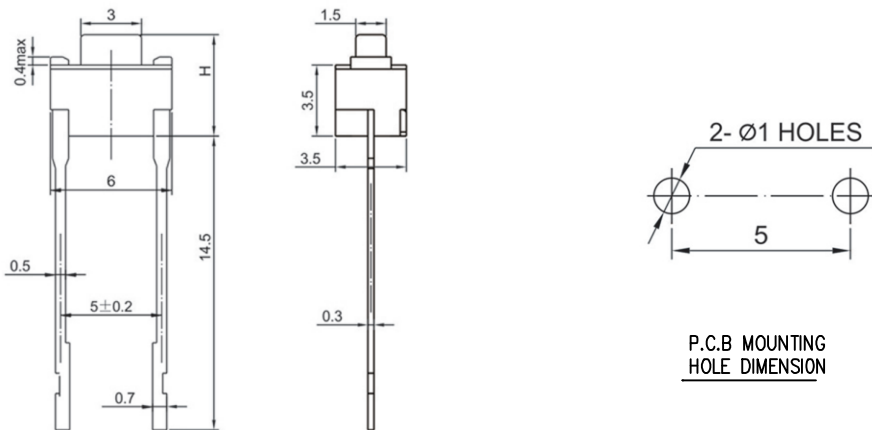
OPTION CODE	FORCE
<b>B</b>	160 grams
<b>C</b>	250 grams

## ACTUATOR HEIGHT

OPTION CODE	HEIGHT "H" or LENGTH "L"	TERMINATION	SCHEMATIC
<b>43</b>	4,3mm	Thru-hole & SMT	1  2
<b>50</b>	5,0 mm	Thru-hole	

# TPS635 Series 3,5 mm Tact Switches

## TPS635-4XXXD




Tactile Switches

### ACTUATION FORCE

OPTION CODE	FORCE
<b>B</b>	160 grams
<b>C</b>	250 grams

### ACTUATOR HEIGHT

OPTION CODE	HEIGHT "H" or LENGTH "L"	TERMINATION	SCHEMATIC
<b>43</b>	4,3mm	Thru-hole & SMT	1  2
<b>50</b>	5,0 mm	Thru-hole	

## X-ON Electronics

Largest Supplier of Electrical and Electronic Components

*Click to view similar products for [Tactile Switches](#) category:*

*Click to view products by [ROCPU Technology](#) manufacturer:*

Other Similar products are found below :

[5GTH92001](#) [5GTH9202242](#) [6407-250V-25273P](#) [ADTSA62NV](#) [ADTSA62RV](#) [B3F-3123](#) [1977177-8](#) [1977266-1](#) [ADTSA63NV](#)  
[ADTSM21NSVTR](#) [ADTSM25RVTR](#) [ADTSM32NVTR](#) [ADTSMW64RV](#) [FSMRA4JHA04](#) [GS4.70F300QP](#) [KSC241J SP DELTA LFS](#)  
[3FTL600RAS](#) [3FTL640RAS](#) [Y96K132V0FPLFS](#) [5GTH9658222](#) [ADTSM31NVTR](#) [2-1977120-7](#) [TSJW-5.2-260-TR](#) [KMT011MNGJLHS](#)  
[B3WN6002S](#) [70-201.0](#) [ADTSG648NV](#) [ADTSM62KSVTR](#) [ADTSM648NV](#) [95C06E3RAT](#) [5GTH96561](#) [3ATH9Q](#) [FSMRA8JHA04](#)  
[HARS0073](#) [Y33R411N9FPLFT](#) [Y31C01402FPLFS](#) [PTS645SK50SMTR92](#) [ADTSM32NVB](#) [KMS233GPWTLFG](#) [Y78B64124FP](#)  
[Y96D113G0FP LFS](#) [Y33A812C5FP LFT](#) [Y56B2D120FP LFS](#) [PTS645 DVM83-BN125-2 LFS](#) [B3W 1000G](#) [KSC621G OL LFS](#) [B3F 1002C](#)  
[B3F 0047H](#) [B3F 1000G](#) [B3W 1002C](#)