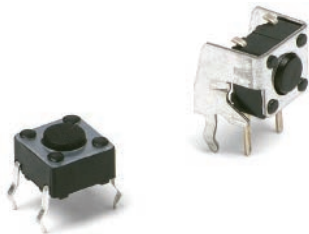


TPS645 Series 6 mm Tact Switches



Features/Benefits

- Compact size 6 x 6 mm
- Variety of actuator lengths
- Choice of actuation force
- RoHS compliant and compatible

Typical Applications

- Consumer products
- Instrumentation
- Computer products
- Industrial

B

Tactile Switches

Specification

FUNCTION: Momentary action
CONTACT ARRANGEMENT: SPST, N.O.
TERMINALS: PC pins

Mechanical

ACTUATION FORCE: 100 grams, 160 grams, 200 grams, 260 grams
LIFE EXPECTANCY: 100,000 operations.

Electrical

CONTACT RATING: 50 mA @ 12 V DC.
DIELECTRIC STRENGTH: 250 V AC min.
CONTACT RESISTANCE: 100 mΩ max. initial.
INSULATION RESISTANCE: 10¹¹ Ω min.

Environmental

OPERATING TEMPERATURE: -20°C to 60°C

Process

SOLDERING: Preheating to 100°C for 45 sec. max. Keep flux flush with top surface of PCB; do not apply to component side of PCB and area where terminals are located. Soldering to 255°C for 5 sec. max. Clean by brushing on solder surface. Do not clean switch with solvents.

Packaging

Bulk packaging.

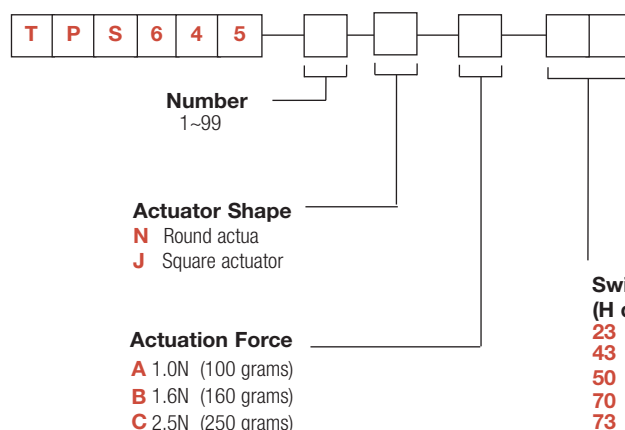
Tape & reel for the SMT type:

Reels of 1,000 pieces for 4,3 and 5,0 mm height
Reels of 700 pieces for 7,0 mm height
Reels of 500 pieces for 9,5 mm height
Reels of 400 pieces for 13,0 mm height

NOTE: Specifications listed above are for switches with standard options.
For information on specific and custom switches, consult Customer Service Center.

How To Order

Our easy build-a-switch concept allows you to mix and match options to create the switch you need. To order, select desired option from each category and place it in the appropriate box.



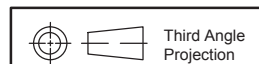
Switch height from PCB for S and T only (H dimension see actuator height drawings)

- 23** 2,3 (.159), thru-hole and SMT
- 43** 4,3 (.169), thru-hole and SMT
- 50** 5,0 (.197), thru-hole and SMT
- 70** 7,0 (.275), thru-hole and SMT
- 73** 7,3 (.275), thru-hole and SMT
- 75** 7,5 (.287), thru-hole, square actuator 2.4 mm side only
- 95** 9,5 (.374), thru-hole and SMT
- 13** 13,0 (.512) SMT only

Switch length from front leads for V only (H dimension see actuator height drawings)

- 31** 3,15 (.124), vertical
- 39** 3,85 (.151), vertical
- 58** 5,85 (.230), vertical
- 61** 6,15 (.242), vertical, square actuator 2.4 mm side only
- 83** 8,35 (.329), vertical

*Only the straight type termination without ESD pin is available in SMT type.

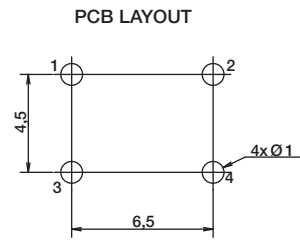
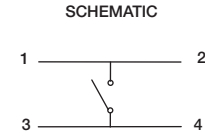
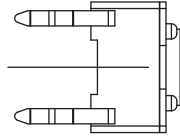
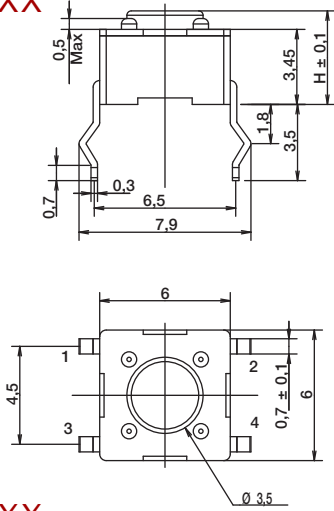


Dimensions are shown: mm
Specifications and dimensions subject to change

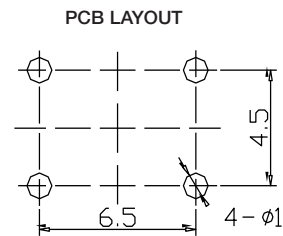
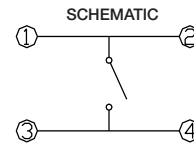
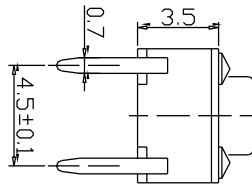
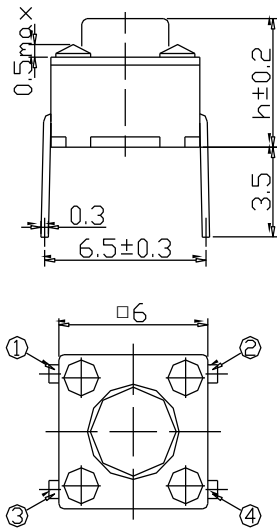
TPS645 Series 6 mm Tact Switches

TERMINATION

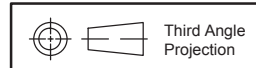
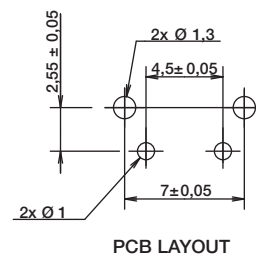
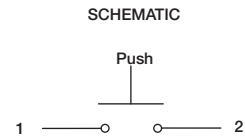
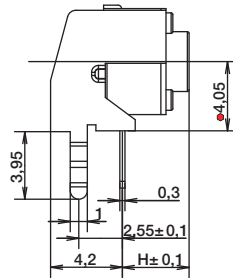
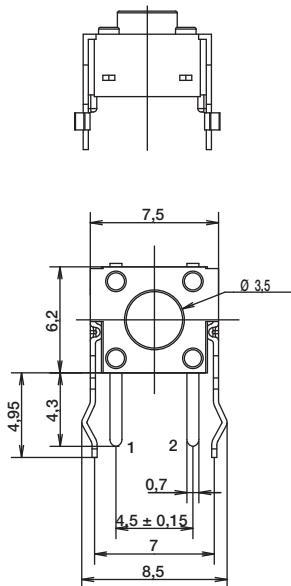
TPS645-1NXXX S STRAIGHT



TPS645-2NXXX S STRAIGHT



TPS645-3NXXX V VERTICAL



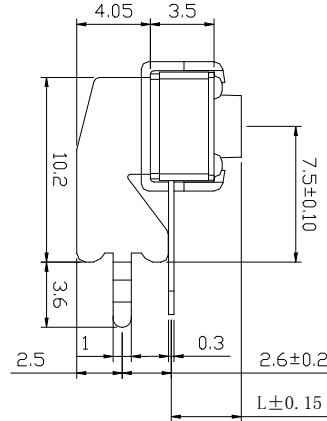
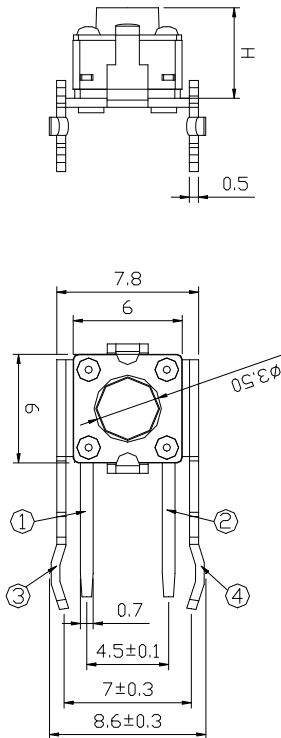
Dimensions are shown:mm
Specifications and dimensions subject to change

TPS645 Series 6 mm Tact Switches

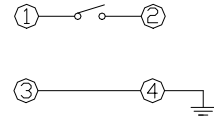
TERMINATION

TPS645-4NXXX

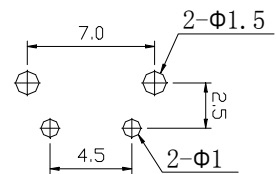
V VERTICAL



CIRCUIT DIAGRAM



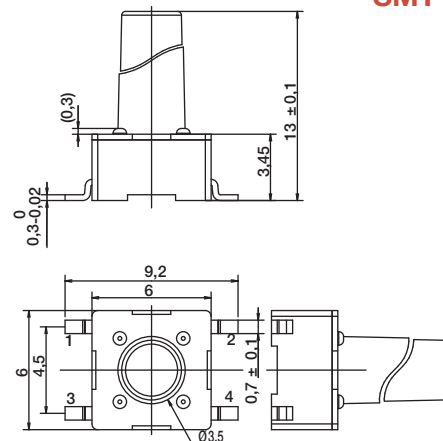
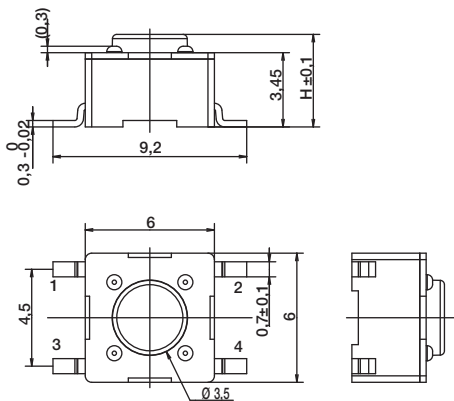
PCB WELDING DRAWING



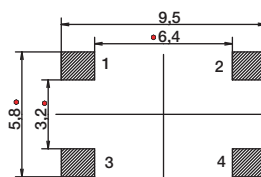
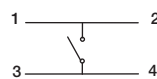
ACTUATOR HEIGHT

TPS645-5NXXX

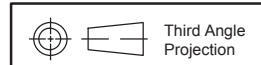
SMT



SCHEMATIC



PCB LAYOUT

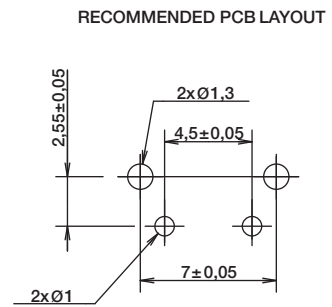
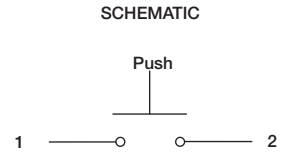
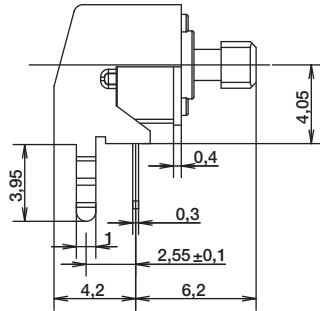
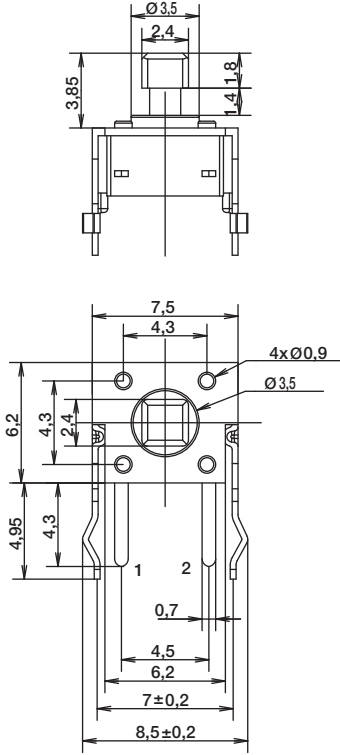


Dimensions are shown: mm
Specifications and dimensions subject to change

TPS645 Series 6 mm Tact Switches

ACTUATOR SHAPE

TPS645-6JX73
DIP

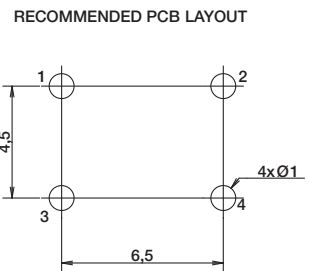
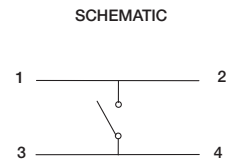
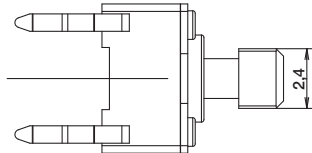
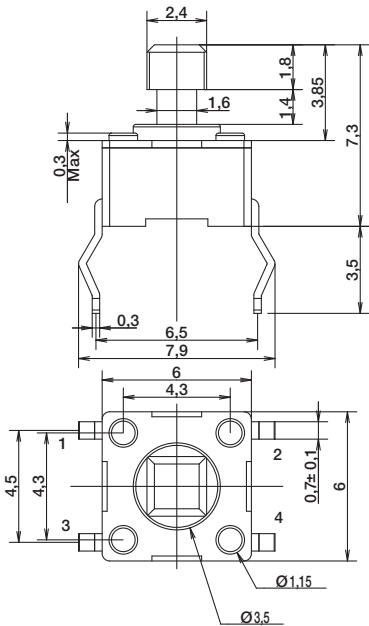


B

Tactile Switches

ACTUATOR SHAPE

TPS645-73JX73
DIP



X-ON Electronics

Largest Supplier of Electrical and Electronic Components

Click to view similar products for [Tactile Switches](#) category:

Click to view products by [ROCPU Technology](#) manufacturer:

Other Similar products are found below :

[5GTH92001](#) [5GTH9202242](#) [6407-250V-25273P](#) [ADTSA62NV](#) [ADTSA62RV](#) [B3F-3123](#) [1977177-8](#) [1977266-1](#) [ADTSA63NV](#)
[ADTSM21NSVTR](#) [ADTSM25RVTR](#) [ADTSM32NVTR](#) [ADTSMW64RV](#) [FSMRA4JHA04](#) [GS4.70F300QP](#) [KSC241J SP DELTA LFS](#)
[3FTL600RAS](#) [3FTL640RAS](#) [Y96K132V0FPLFS](#) [5GTH9658222](#) [ADTSM31NVTR](#) [2-1977120-7](#) [TSJW-5.2-260-TR](#) [KMT011MNGJLHS](#)
[B3WN6002S](#) [70-201.0](#) [ADTSG648NV](#) [ADTSM62KSVTR](#) [ADTSM648NV](#) [95C06E3RAT](#) [5GTH96561](#) [3ATH9Q](#) [FSMRA8JHA04](#)
[HARS0073](#) [Y33R411N9FPLFT](#) [Y31C01402FPLFS](#) [PTS645SK50SMTR92](#) [ADTSM32NVB](#) [KMS233GPWTLFG](#) [Y78B64124FP](#)
[Y96D113G0FP LFS](#) [Y33A812C5FP LFT](#) [Y56B2D120FP LFS](#) [PTS645 DVM83-BN125-2 LFS](#) [B3W 1000G](#) [KSC621G OL LFS](#) [B3F 1002C](#)
[B3F 0047H](#) [B3F 1000G](#) [B3W 1002C](#)