

# TPS 850 Series Microminiature SMT Top Actuated

## Features/Benefits

- 3.0 x 2.7 mm footprint
- Three different heights
- High number of cycles
- Reduced footprint

## Typical Applications

- Control panels
- Nomad devices
- Remote controls
- Keyless entry system

## Specifications

FUNCTION: momentary action  
 CONTACT ARRANGEMENT: 1 make contact = SPST N.O.  
 TERMINALS: J type for SMT  
 TRAVEL: 0.2mm + 0.1mm / -0.05 mm

	Operating Force (gf)	Life Cycles	Height mm	Pegs
TPS850 J14B V SMTR LFS	80 ± 50	200,000	1.4	No
TPS850 J14C V SMTR LFS	120 ± 50	100,000	1.4	No
TPS850 J14M V SMTR LFS	160 ± 50	200,000	1.4	No
TPS850 J14K V SMTR LFS	250 ± 50	100,000	1.4	No
TPS850 J14Q V SMTR LFS	400 ± 50	100,000	1.4	No

## Electrical

MAXIMUM VOLTAGE: 12 VDC  
 MAXIMUM CURRENT DC: 50 mA  
 DIELECTRIC STRENGTH: 100 VA C (1mn)  
 CONTACT RESISTANCE: ≤ 100 mΩ  
 INSULATION RESISTANCE: ≥ 100 MΩ  
 BOUNCE TIME: ≤ 10 ms

## Environmental

OPERATING TEMPERATURE: -40°C to 85°C

## Process

SOLDERING: This component is suited to the following methods:  
 Infrared Reflow Soldering in accordance with IEC61760-1

**NOTE:** Specifications listed above are for switches with standard options.  
 For information on specific and custom switches, consult Customer Service Center.

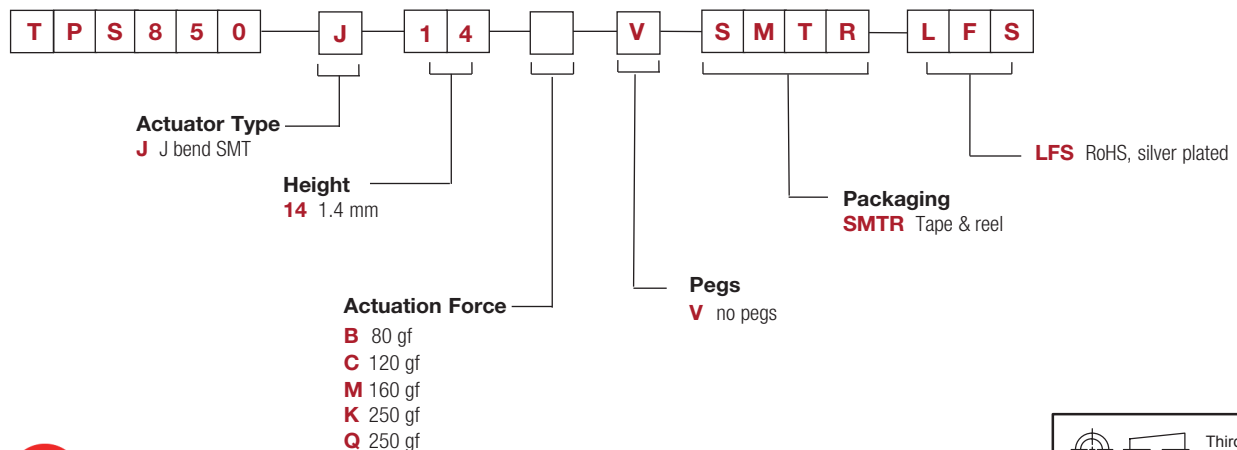
## Packaging

Switches in reels of 2,500 pieces for 1.5 and 2.0 mm height  
 Switches in reels of 2,300 pieces for 2.5 mm height  
 Dimensions of reels according to EIA 481B  
 External diameter 330 mm

## How To Order

Our easy build-a-switch concept allows you to mix and match options to create the switch you need. To order, select desired option from each category and place it in the appropriate box.

For any part number different from those listed above, please consult your local representative.

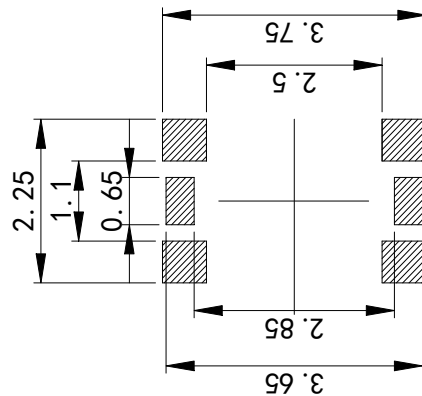
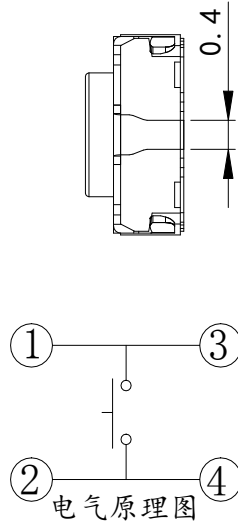
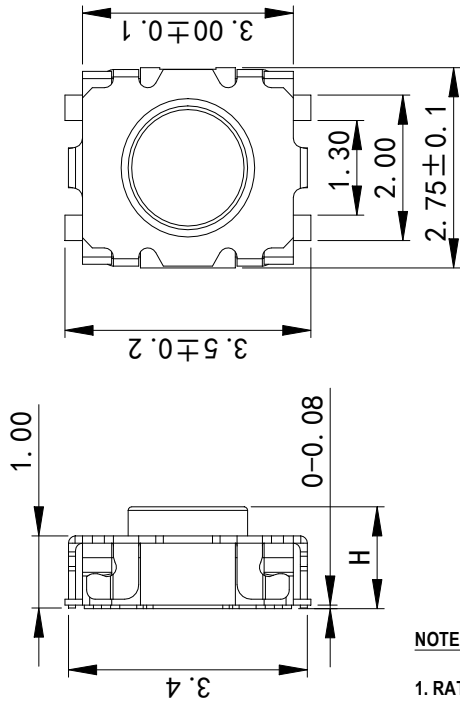


Dimensions are shown:mm  
 Specifications and dimensions subject to change

# TPS 850 Series Microminiature SMT Top Actuated

1.4 mm height (H) - version shown here with pegs

Tactile Switches



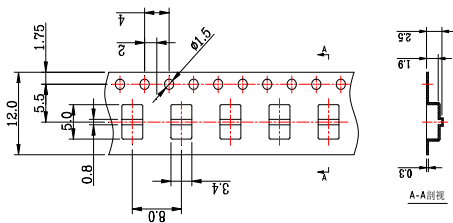
PCB. 焊接尺寸图  
P. C. B LAND DIMENSION

REFERENCE DRAWING

**NOTE**

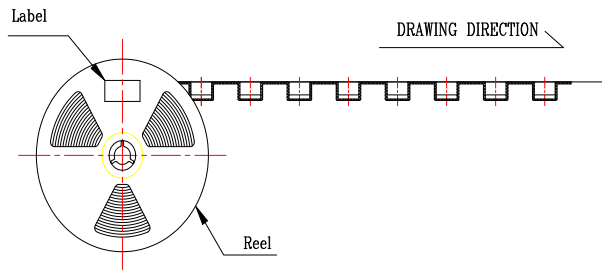
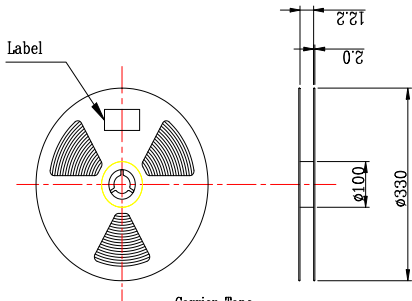
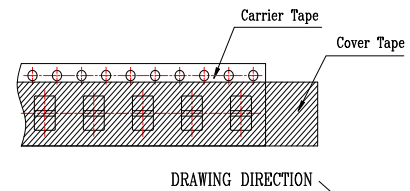
1. RATING : DC 15V 20mA
2. CONTACT RESISTANCE : 500mΩ MAX
3. GENERAL TOLERANCE : ±0.3

\* THE DIMENSION OF CARRIER TAPE, COVER TAPE AND REEL \*

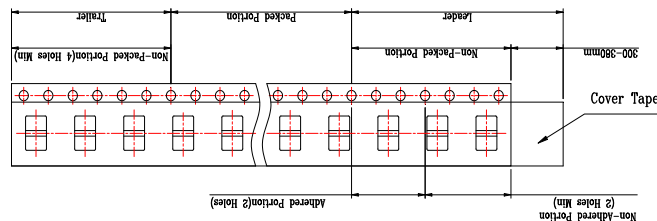
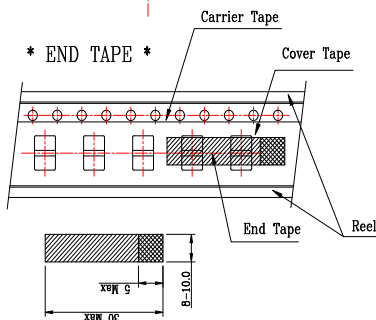


MODEL NAME	CODE NO.
TVAF36	

\* THE SPECIFICATION FOR PACKAGING \*



End \* THE SPECIFICATION FOR PACKAGING \* Start



**NOTE**

1. 4K pcs SWITCHES PER 1 REEL
2. GENERAL TOLERANCE : 0.2mm

REFERENCE DRAWING



Dimensions are shown:mm  
Specifications and dimensions subject to change



## X-ON Electronics

Largest Supplier of Electrical and Electronic Components

*Click to view similar products for [Tactile Switches](#) category:*

*Click to view products by [ROCPU Technology](#) manufacturer:*

Other Similar products are found below :

[5GTH92001](#) [5GTH9202242](#) [6407-250V-25273P](#) [ADTSA62NV](#) [ADTSA62RV](#) [B3F-3123](#) [1977177-8](#) [1977266-1](#) [ADTSA63NV](#)  
[ADTSM21NSVTR](#) [ADTSM25RVTR](#) [ADTSM32NVTR](#) [ADTSMW64RV](#) [FSMRA4JHA04](#) [GS4.70F300QP](#) [KSC241J SP DELTA LFS](#)  
[3FTL600RAS](#) [3FTL640RAS](#) [Y96K132V0FPLFS](#) [5GTH9658222](#) [6407-250V-25343P](#) [ADTSM31NVTR](#) [EVQ-P1D05K](#) [2-1977120-7](#) [TSJW-](#)  
[5.2-260-TR](#) [KMT011MNGJLHS](#) [B3WN6002S](#) [70-201.0](#) [ADTSG648NV](#) [ADTSM62KSVTR](#) [ADTSM648NV](#) [95C06E3RAT](#) [5GTH96561](#)  
[3ATH9Q](#) [FSMRA8JHA04](#) [HARS0073](#) [Y97HS12A5RAFP](#) [Y97BT23B2HAFP](#) [Y33R411N9FPLFT](#) [Y31C01402FPLFS](#)  
[PTS645SK50SMTR92](#) [ADTSM32NVB](#) [KMS233GPWTLFG](#) [Y78B64124FP](#) [PTS638SK25SMTR2LFS](#) [Y96D113G0FP LFS](#) [Y33A812C5FP](#)  
[LFT](#) [Y56B2D120FP LFS](#) [PTS645 DVM83-BN125-2 LFS](#) [B3W 1000G](#)