

# TPT Series Ultra Low Profile Top Actuated

## Features

- Smallest footprint 3.0 x 2.0 mm
- 0.6 /0.4 mm thickness
- High number of cycle

## Typical Applications

- Wearable electronics
- In-Ear headphones, Earbuds
- Mobile Phones
- Portable Electronics
- Hearing Aids

## Specification

FUNCTION: momentary action  
 CONTACT ARRANGEMENT: 1 make contact = SPST, N.O.  
 TERMINALS: G type for SMT  
 TRAVEL:NUMBER 1and2 0.18 mm ± 0.05 mm  
 TRAVEL:NUMBER 3 0.15 mm ± 0.05 mm

## Mechanical

	Operating force gf	Operating Life	Casing Color
TPT-1B1	160 ± 50	500,000	Black
TPT-1C1	250 ± 50	500,000	Black
TPT-2B1	160 ± 50	500,000	Black
TPT-1C1	250 ± 50	500,000	Black
TPT-3B1	160 ± 50	300,000	Black
TPT-3C1	250 ± 50	300,000	Black

## Electrical

MAXIMUM VOLTAGE: 15 VDC  
 MAXIMUM CURRENT DC: 20 mA  
 DIELECTRIC STRENGTH: (50/60 Hz, 1 min) 250 Vrms  
 CONTACT RESISTANCE: ≤ 500 mΩ  
 INSULATION RESISTANCE: ≥ 50 MΩ  
 BOUNCE TIME: ≤ 10 ms

## Environmental

OPERATING TEMPERATURE: -30°C to 85°C  
 STORAGE TEMPERATURE: -30°C to 85°C

## Process

SOLDERING: This component is suited to the following methods:  
 Infrared Reflow Soldering in accordance with IEC61760-1

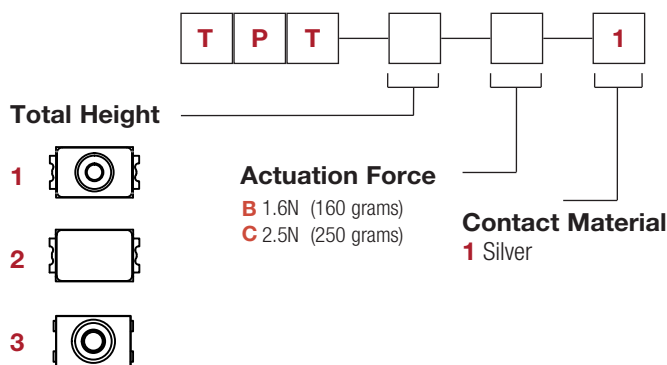
## Packaging

In reels of 1.0000 pieces  
 Dimensions of reels according to EIA 481B  
 External diameter 330 mm

**NOTE:** Specifications listed above are for switches with standard options.  
 For information on specific and custom switches, consult Customer Service Center.

## Part Number Description

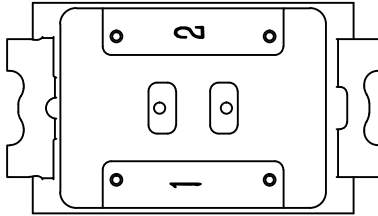
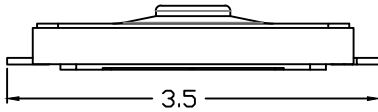
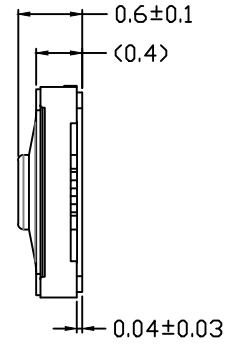
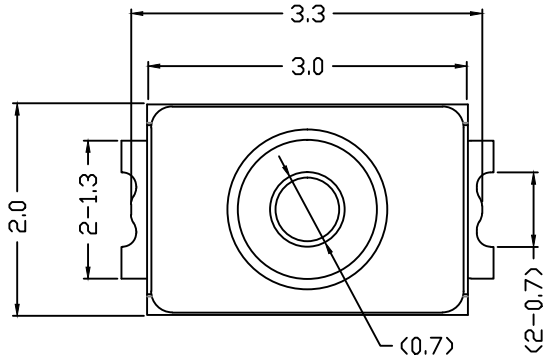
For any part number different from those listed above, please consult your local representative.



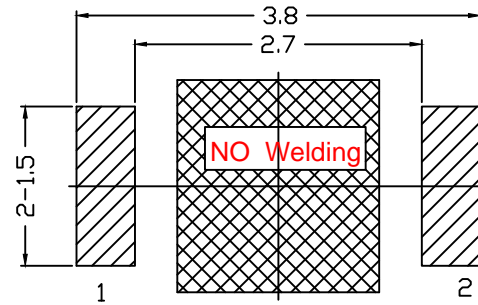
Dimensions are shown:mm  
 Specifications and dimensions subject to change

# TPT Series Ultra Low Profile Top Actuated

TPT-1B1  
TPT-1C1

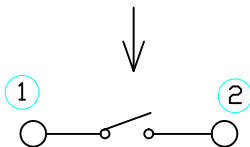


## PCB layout



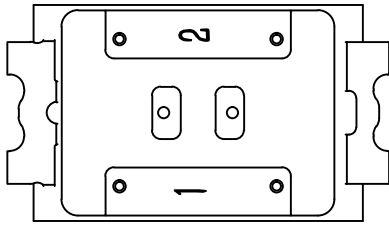
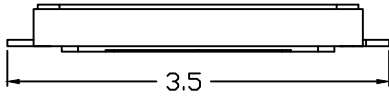
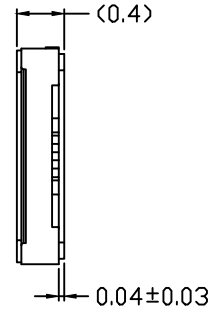
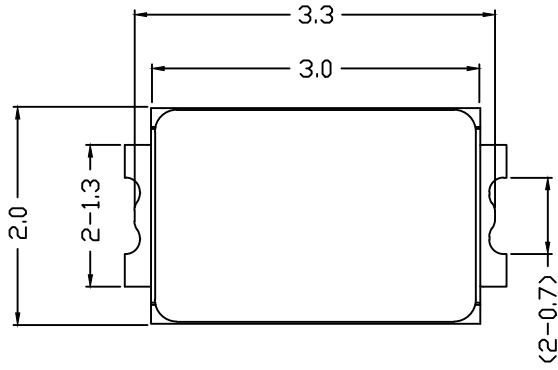
P. C. B LAND DIMENSION

## Circuit Diagram

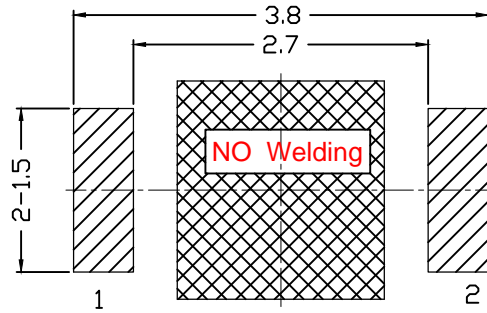


# TPT Series Ultra Low Profile Top Actuated

TPT-2B1  
TPT-2C1

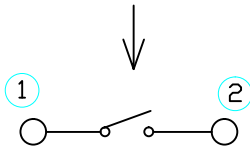


## PCB.layout



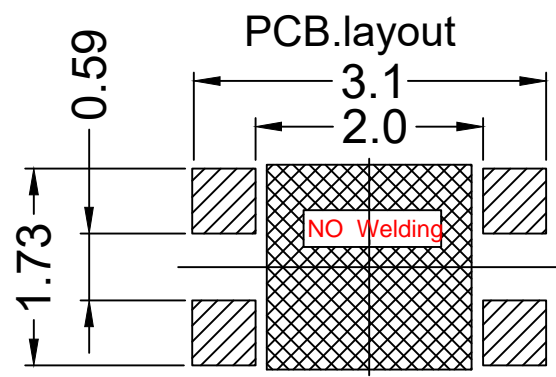
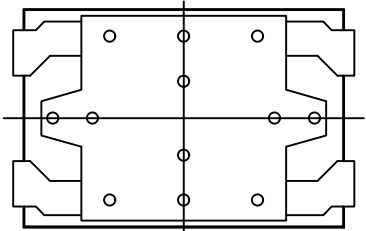
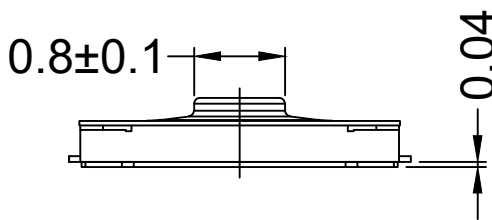
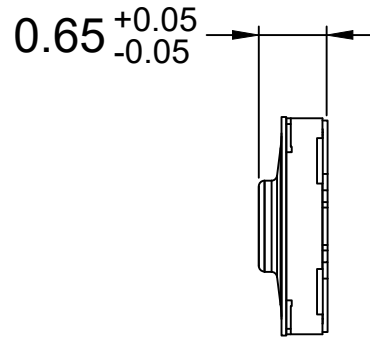
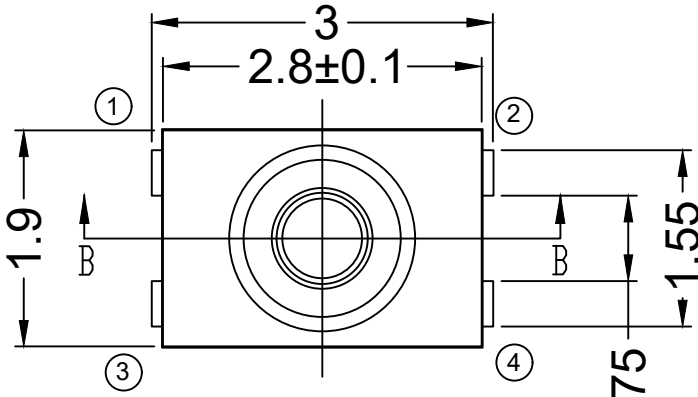
P. C. B LAND DIMENSION

## Circuit Diagram



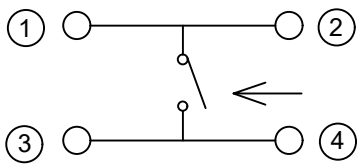
# TPT Series Ultra Low Profile Top Actuated

TPT-3B1  
TPT-3C1



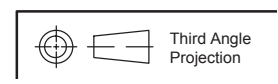
P. C. B LAND DIMENSION

## Circuit Diagram



Tactile Switches

B



Dimensions are shown:mm  
Specifications and dimensions subject to change

## X-ON Electronics

Largest Supplier of Electrical and Electronic Components

*Click to view similar products for [Tactile Switches](#) category:*

*Click to view products by [ROCPU Technology](#) manufacturer:*

Other Similar products are found below :

[5GTH92001](#) [5GTH9202242](#) [6407-250V-25273P](#) [ADTSA62NV](#) [ADTSA62RV](#) [B3F-3123](#) [1977177-8](#) [1977266-1](#) [ADTSA63NV](#)  
[ADTSM21NSVTR](#) [ADTSM25RVTR](#) [ADTSM32NVTR](#) [ADTSMW64RV](#) [FSMRA4JHA04](#) [GS4.70F300QP](#) [KSC241J SP DELTA LFS](#)  
[3FTL600RAS](#) [3FTL640RAS](#) [Y96K132V0FPLFS](#) [5GTH9658222](#) [ADTSM31NVTR](#) [EVQ-P1D05K](#) [2-1977120-7](#) [TSJW-5.2-260-TR](#)  
[KMT011MNGJLHS](#) [ADTSG648NV](#) [ADTSM62KSVTR](#) [ADTSM648NV](#) [95C06E3RAT](#) [5GTH96561](#) [3ATH9Q](#) [FSM4JSMLXTR](#)  
[FSM4JSMXL](#) [FSMRA8JHA04](#) [HARS0073](#) [Y97HS12A5RAFP](#) [Y97BT23B2HAFP](#) [Y33R411N9FPLFT](#) [Y31C01402FPLFS](#)  
[PTS645SK50SMTR92](#) [ADTSM32NVB](#) [KMS233GPWTLFG](#) [Y78B42324FP](#) [Y33R21116FPLFT](#) [Y31B43131FPLFG](#) [Y78B64124FP](#)  
[Y71243251FP](#) [Y33R31119FPLFT](#) [Y97HS12A5TAFP](#) [PTS638SK25SMTR2LFS](#)