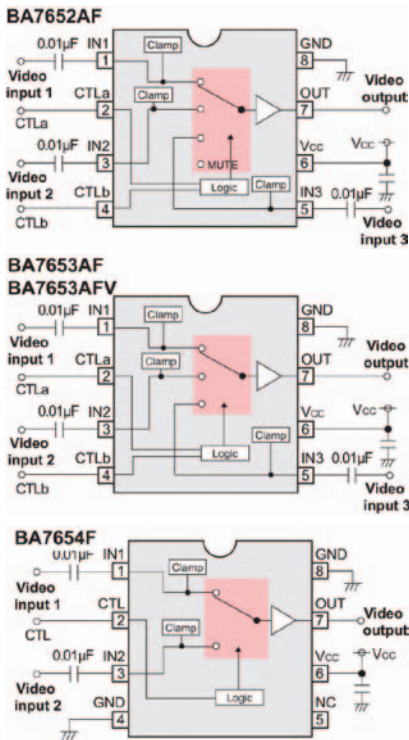


SOP8

Video Switcher Series

Single Circuit Video Switchers

The **BA7654F**, **BA7653AF/AFV**, and **BA7652AF** video switchers integrate 2-3 inputs into a single circuit. Utilization of a high-performance feedback clamp circuit at the input terminal enables compatibility with 0.01 μ F ceramic capacitors for input coupling resulting in increased space savings. Features such as a high-speed switching function and a broad dynamic range ensures suitability with a wide range of applications.



Key Features

- Feedback clamp circuit ensures compatibility with compact ceramic capacitors
- High-speed switching (70nsec) capability ideal for superimposing
- 10MHz flat frequency characteristics support a broad range of applications

Applications

- HDTVs
- Car entertainment/navigation systems
- PCs

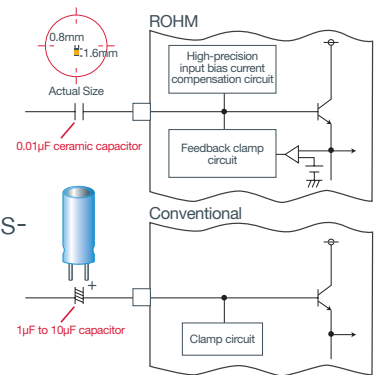
Pricing

Quantity per reel: 3,000 pieces

Price: \$0.66 - 0.91

Samples: Available now

Feedback Clamp Circuit



Part #	Supply Voltage (V)	Circuit Current (mA)	Internal Circuit	Input Type	Gain (dB)	Max Output Level (Vpp)	Crosstalk (dB)	Mute	Switching Speed (ns)	Package
BA7654F	4.0 to 7.0	5	2-in-1	Sync-tip clamp	0	3.1	-70 (4.43MHz)	_	70	SOP8
BA7653AF	4.0 to 7.0	5	3-in-1	Sync-tip clamp	0	3.1	-70 (4.43MHz)	_	70	SOP8
BA7653AFV	4.0 to 7.0	5	3-in-1	Sync-tip clamp	0	3.1	-70 (4.43MHz)	_	70	SSOP-B8
BA7652AF	4.0 to 7.0	5	3-in-1	Sync-tip clamp	0	3.1	-70 (4.43MHz)	Available	70	SOP8

More info

<http://www.rohm.com/products/lsi/video/video/sel1/>

See our full lineup: <http://www.rohm.com/products/lsi/video/video/switch/>

Visit us at www.rohm.com/us

X-ON Electronics

Largest Supplier of Electrical and Electronic Components

Click to view similar products for [Video ICs category](#):

Click to view products by [ROHM manufacturer](#):

Other Similar products are found below :

[M21328G-12](#) [TW2964-LA2-CR](#) [TW9903-FB](#) [TW9919-PE1-GR](#) [ADV8003KBCZ-7T](#) [PI3HDX511DZLEX](#) [M23428G-33](#)
[PI7VD9008ABHFDE](#) [ADV7186BBCZ-TL](#) [ADV7186BBCZ-T-RL](#) [ADV8003KBCZ-7C](#) [PI3VDP411LSAZBEX](#) [PI3VDP411LSTZBEX](#)
[M23145G-14](#) [PI3VDP411LSRZBEX](#) [PI3HDX511EZLSEX](#) [BH76912GU-E2](#) [CM5100-01CP](#) [TVP5160PNP](#) [TVP5151PBSR](#) [BA7603F-E2](#)
[MU82645DES S LM6B](#) [BH76106HFV-TR](#) [BH76206HFV-TR](#) [ADV7179WBCPZ](#) [ADV7611BSWZ-P-RL](#) [ADV7180KCP32Z](#)
[ADV7180WBCP32Z](#) [ADV7182WBCPZ](#) [ADV7280KCPZ](#) [ADV7280WBCPZ-M](#) [ADV7281WBCPZ-MA](#) [ADV7283WBCPZ](#) [ADV7283BCPZ](#)
[ADV7282WBCPZ-M](#) [ADV7280KCPZ-M](#) [ADV7280WBCPZ](#) [ADV7180KCP32Z-RL](#) [ADV7282AWBCPZ](#) [ADV7182AWBCPZ](#)
[AD723ARUZ](#) [ADV7611BSWZ](#) [ADV7181DWBCPZ-RL](#) [ADV7173KSTZ-REEL](#) [ADV7180WBST48Z-RL](#) [ADA4411-3ARQZ](#) [ADA4411-3ARQZ-R7](#) [ADA4417-3ARMZ](#) [ADA4417-3ARMZ-R7](#) [ADA4424-6ARUZ](#)