

NPN General Purpose Transistor

BC847B / BC847C

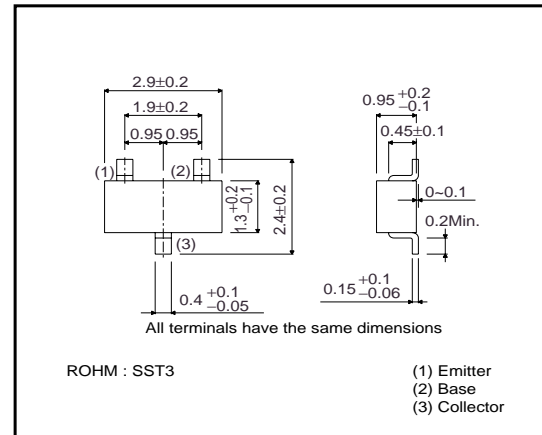
●Features

- 1) $BV_{CEO} < 45V$ ($I_C=1mA$)
- 2) Complements the BC857B.

●Package, marking, and Packaging specifications

Part No.	BC847B	BC847C
Packaging type	SST3	SST3
Marking	G1F	G1G
Code	T116	T116
Basic ordering unit (pieces)	3000	3000

●External dimensions (Units : mm)



●Absolute maximum ratings ($T_a=25^\circ C$)

Parameter	Symbol	Limits	Unit
Collector-base voltage	V_{CBO}	50	V
Collector-emitter voltage	V_{CEO}	45	V
Emitter-base voltage	V_{EBO}	6	V
Collector current	I_C	0.1	A
Collector power dissipation	P_C	0.2	W *
		0.35	
Junction temperature	T_j	150	$^\circ C$
Storage temperature	T_{stg}	-55~+150	$^\circ C$

* When mounted on a 7×5×0.6mm ceramic board.

●Electrical characteristics ($T_a=25^\circ C$)

Parameter	Symbol	Min.	Typ.	Max.	Unit	Conditions
Collector-base breakdown voltage	BV_{CBO}	50	-	-	V	$I_C=50\mu A$
Collector-emitter breakdown voltage	BV_{CEO}	45	-	-	V	$I_C=1mA$
Emitter-base breakdown voltage	BV_{EBO}	6	-	-	V	$I_E=50\mu A$
Collector cutoff current	I_{CBO}	-	-	15	nA	$V_{CB}=30V$
		-	-	5	μA	$V_{CB}=30V, T_a=150^\circ C$
Collector-emitter saturation voltage	$V_{CE(sat)}$	-	-	0.25	V	$I_C/I_B=10mA/0.5mA$
		-	-	0.6		$I_C/I_B=100mA/5mA$
Base-emitter saturation voltage	$V_{BE(on)}$	0.58	-	0.77	V	$V_{CE}/I_C=5V/10mA$
DC current transfer ratio	h_{FE}	200	-	450	-	$V_{CE}/I_C=5V/2mA$ BC847B
		420	-	800	-	$V_{CE}/I_C=5V/2mA$ BC847C
Transition frequency	f_T	-	200	-	MHz	$V_{CE}=5V, I_E=-20mA, f=100MHz$
Collector output capacitance	C_{ob}	-	3	-	pF	$V_{CB}=-10V, I_E=0, f=1MHz$
Emitter input capacitance	C_{ib}	-	8	-	pF	$V_{EB}=0.5V, I_C=0, f=1MHz$

●Electrical characteristic curves

The electrical characteristic curves for these products are the same as those of UMT222A, SST222A, MMST2222A and PN2222A.

X-ON Electronics

Largest Supplier of Electrical and Electronic Components

Click to view similar products for [Bipolar Transistors - BJT category](#):

Click to view products by [ROHM manufacturer](#):

Other Similar products are found below :

[619691C](#) [MCH4017-TL-H](#) [BC546/116](#) [BC557/116](#) [BSW67A](#) [NTE158](#) [NTE187A](#) [NTE195A](#) [NTE2302](#) [NTE2330](#) [NTE63](#) [C4460](#)
[2SA1419T-TD-H](#) [2SA1721-O\(TE85L,F\)](#) [2SA2126-E](#) [2SB1204S-TL-E](#) [2SC5488A-TL-H](#) [2SD2150T100R](#) [SP000011176](#) [FMMTA92QTA](#)
[2N2369ADCSM](#) [2N5769](#) [2SC2412KT146S](#) [2SC5490A-TL-H](#) [2SD1816S-TL-E](#) [2SD1816T-TL-E](#) [CMXT2207 TR](#) [CPH6501-TL-E](#)
[MCH4021-TL-E](#) [US6T6TR](#) [NJL0281DG](#) [732314D](#) [CMXT3906 TR](#) [CPH3121-TL-E](#) [CPH6021-TL-H](#) [873787E](#) [IMZ2AT108](#) [UMX21NTR](#)
[EMT2T2R](#) [MCH6102-TL-E](#) [FP204-TL-E](#) [NJL0302DG](#) [2N3583](#) [2SA1434-TB-E](#) [2SC3143-4-TB-E](#) [2SD1621S-TD-E](#) [NTE103](#) [30A02MH-TL-E](#) [NSV40301MZ4T1G](#) [NTE101](#)