

4.5V to 18V Input, 3.0A Integrated MOSFET Single Synchronous Buck DC/DC Converter

BD9C301FJ

General Description

BD9C301FJ is a synchronous buck switching regulator with built-in low on-resistance power MOSFETs. With wide input voltage range, it is capable of providing current of up to 3 A. It is a current mode control DC/DC converter and features high-speed transient response. Phase compensation can also be set easily.

Features

- Synchronous Single DC/DC Converter
- Over Current Protection
- Thermal Shutdown Protection
- Under Voltage Lockout Protection
- Short Circuit Protection
- Fixed Soft Start Function

Applications

- LCD TVs
- Set-top Boxes
- DVD/Blu-ray Disc Players/Recorders
- Broadband Network and Communication Interface
- Entertainment Devices

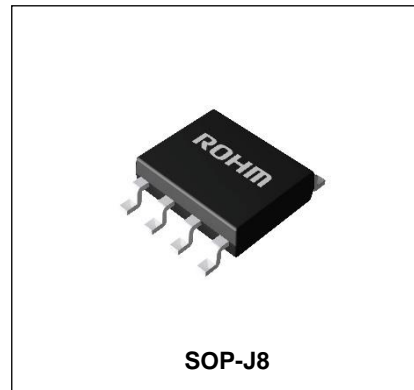
Key Specifications

■ Input Voltage Range:	4.5V to 18.0V
■ Reference Voltage:	0.8V ± 1%
■ Maximum Output Current:	3A(Max)
■ Switching Frequency:	500kHz(Typ)
■ Pch MOSFET On Resistance:	65mΩ(Typ)
■ Nch MOSFET On Resistance:	35mΩ(Typ)
■ Standby Current:	1μA (Typ)
■ Operating Temperature Range:	-40°C to +85°C

Package

SOP-J8

W(Typ) x D(Typ) x H(Max)
4.90mm x 6.00mm x 1.65mm



Typical Application Circuit

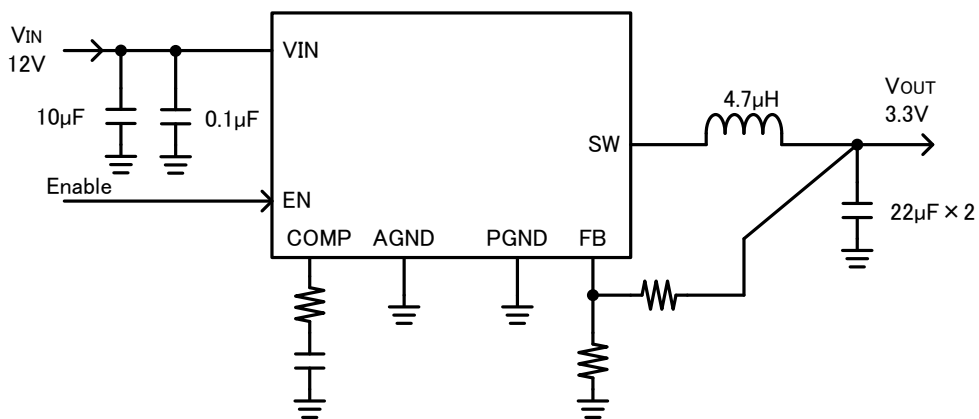


Figure 1. Application Circuit

Pin Configuration

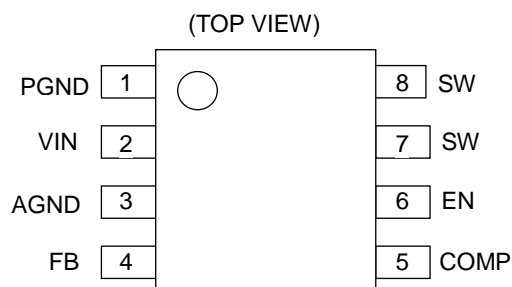


Figure 2. Pin Assignment

Pin Descriptions

Pin No.	Pin Name	Function
1	PGND	Ground pins for the output stage of the switching regulator.
2	VIN	This pins supply power to the control circuit and the output stage of the switching regulator. Connecting a 10 μ F and a 0.1 μ F ceramic capacitor is recommended.
3	AGND	Ground pin for the control circuit.
4	FB	An inverting input node for the gm error amplifier. See page 14 for how to calculate the resistance of the output voltage setting.
5	COMP	An input pin for the switch current comparator and an output pin for the gm error amplifier. Connect a frequency phase compensation component to this pin. See page 14 for how to calculate the resistance and capacitance for phase compensation.
6	EN	Turning this pin signal low (0.8 V or lower) forces the device to enter the shutdown mode. Turning this pin signal high (2.0 V or higher) enables the device. This pin must be terminated.
7	SW	Switch nodes. These pins are connected to the drain of Pch MOSFET and the drain of Nch MOSFET.
8		

Block Diagram

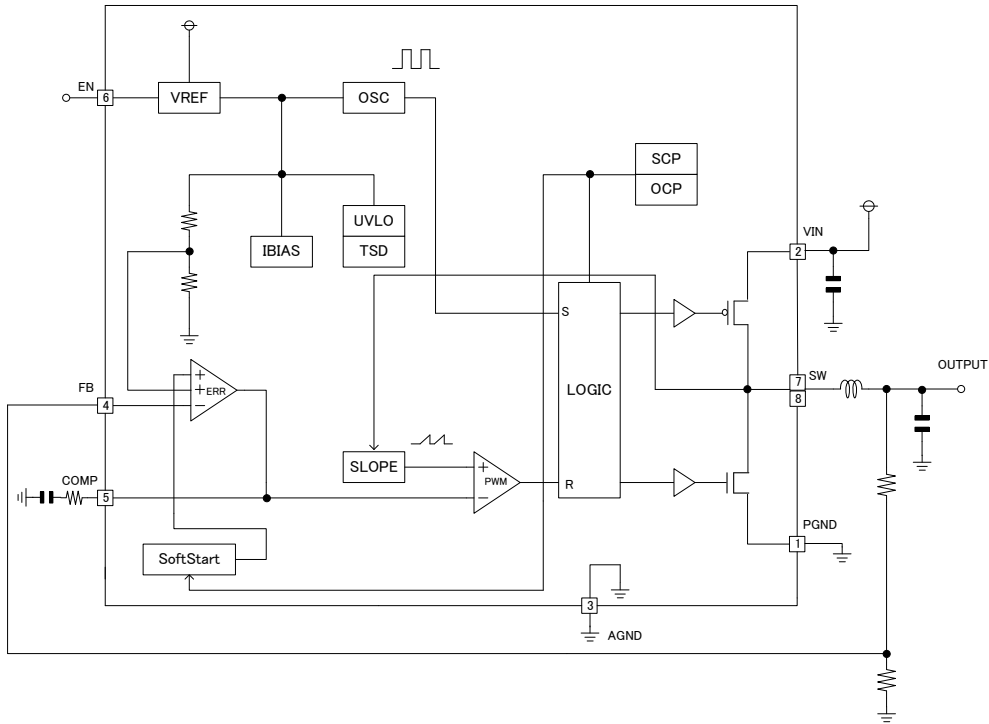


Figure 3. Block Diagram

Absolute Maximum Ratings (Ta = 25°C)

Parameter	Symbol	Rating	Unit	Conditions
Supply Voltage	V _{IN}	20	V	
SW Pin Voltage	V _{SW}	20	V	
EN Pin Voltage	V _{EN}	20	V	
Power Dissipation (Note 1)	P _d	0.68	W	When mounted on a 70 mm x 70 mm x 1.6 mm 1-layer glass epoxy board
Operating Temperature Range	T _{opr}	-40 to +85	°C	
Storage Temperature Range	T _{stg}	-55 to +150	°C	
Maximum Junction Temperature	T _{jmax}	150	°C	
FB, COMP Pin Voltage	V _{LVPINS}	7	V	

(Note1) Derate by 5.45 mW when operating above 25°C.

Caution: Operating the IC over the absolute maximum ratings may damage the IC. The damage can either be a short circuit between pins or an open circuit between pins and the internal circuitry. Therefore, it is important to consider circuit protection measures, such as adding a fuse, in case the IC is operated over the absolute maximum ratings.

Recommended Operating Conditions (Ta= -40°C to +85°C)

Parameter	Symbol	Rating			Unit
		Min	Typ	Max	
Supply Voltage	V _{IN}	4.5	-	18.0	V
Output Current	I _{OUT}	-	-	3.0	A
Output Voltage Setting Range	V _{RANGE}	V _{IN} × 0.125 ^(Note 1)	-	V _{IN} × 0.7	V

(Note1) V_{IN} × 0.125 ≥ 0.8 [V]

Electrical Characteristics(Ta = 25°C, V_{IN} = 12 V, V_{EN} = 5 V unless otherwise specified)

Parameter	Symbol	Limits			Unit	Conditions
		Min	Typ	Max		
Circuit Current in Active	I _{Q_active}	-	1.5	2.5	mA	V _{FB} = 0.75V, V _{EN} = 5V
Circuit Current in Standby	I _{Q_stby}	-	1.0	10.0	μA	V _{EN} = 0V
FB Pin Voltage	V _{FB}	0.792	0.800	0.808	V	FB-COMP Short (Voltage follower)
FB Input Current	I _{FB}	-	0	2	μA	
Switching Frequency	f _{osc}	450	500	550	kHz	
High Side FET On Resistance	R _{ONH}	-	65	-	mΩ	V _{IN} = 12V, I _{SW} = -1A
Low Side FET On Resistance	R _{ONL}	-	35	-	mΩ	V _{IN} = 12V, I _{SW} = -1A
Power MOS Leakage Current	I _{LSW}	-	0	5	μA	V _{IN} = 18V, V _{SW} = 18V
Current Limit	I _{LIMIT}	3.5	-	-	A	
Minimum Duty Ratio	Min_duty	-	-	12.5	%	
UVLO Threshold	V _{UVLO}	3.75	4.0	4.25	V	V _{IN} Sweep up
UVLO Hysteresis Voltage	V _{UVLOHYS}	-	0.2	-	V	
EN High-Level Input Voltage	V _{ENH}	2.0	-	-	V	
EN Low-Level Input Voltage	V _{ENL}	-	-	0.8	V	
Soft Start Time	T _{SS}	0.5	1.0	2.0	msec	

(Note 1) V_{FB}:FB Pin Voltage, V_{EN}:EN Pin Voltage, I_{SW}: SW Pin Current

(Note 2) Current capability should not exceed Pd.

Typical Performance Curves

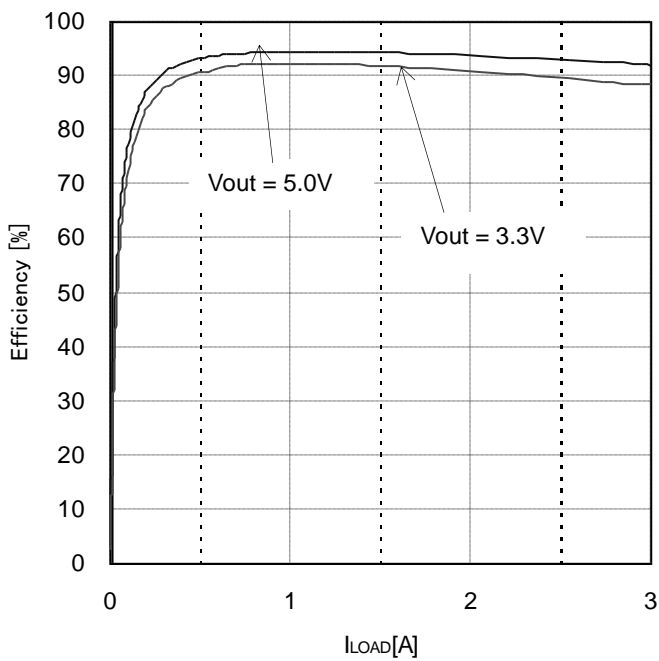


Figure 4. Efficiency
($V_{IN}=12V$, $L=4.7\mu H$)

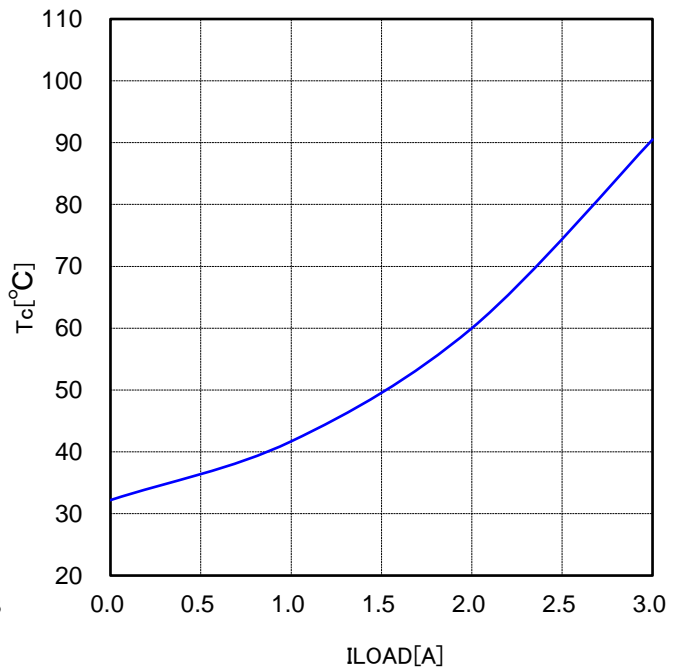
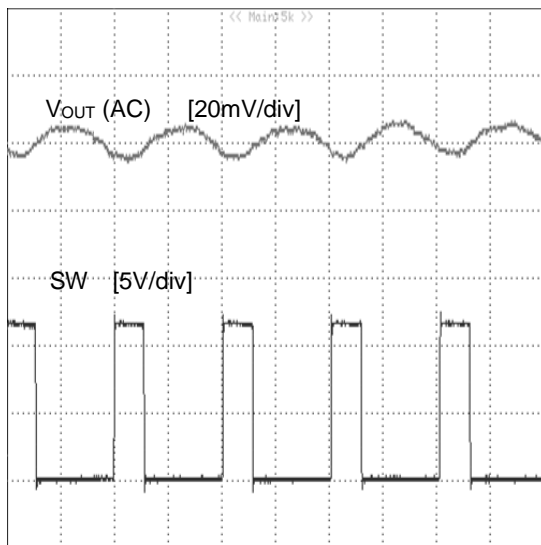
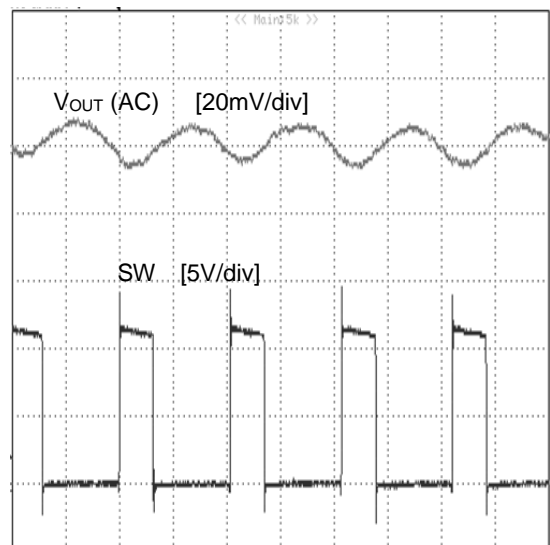


Figure 5. T_c vs I_{LOAD}
($V_{IN}=12V$, $V_{OUT}=3.3V$, $L=4.7\mu H$, $C_{out}=44\mu F$)



T - Time - 1µsec/div

Figure 6. Output Ripple Voltage
($V_{IN}=12V$, $V_{OUT}=3.3V$, $L=4.7\mu H$, $C_{out}=44\mu F$, $I_{out}=0A$)



T - Time - 1µsec/div

Figure 7. Output Ripple Voltage
($V_{IN}=12V$, $V_{OUT}=3.3V$, $L=4.7\mu H$, $C_{out}=44\mu F$, $I_{out}=3A$)

Typical Performance Curves (Continued)

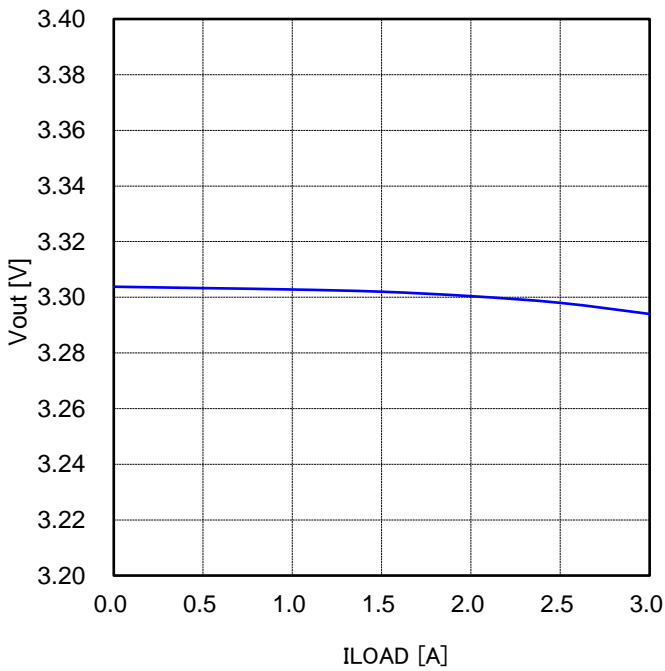


Figure 8. V_{OUT} Load Regulation
(V_{IN}=12V, V_{OUT} =3.3V, L=4.7μH, Cout=44μF)

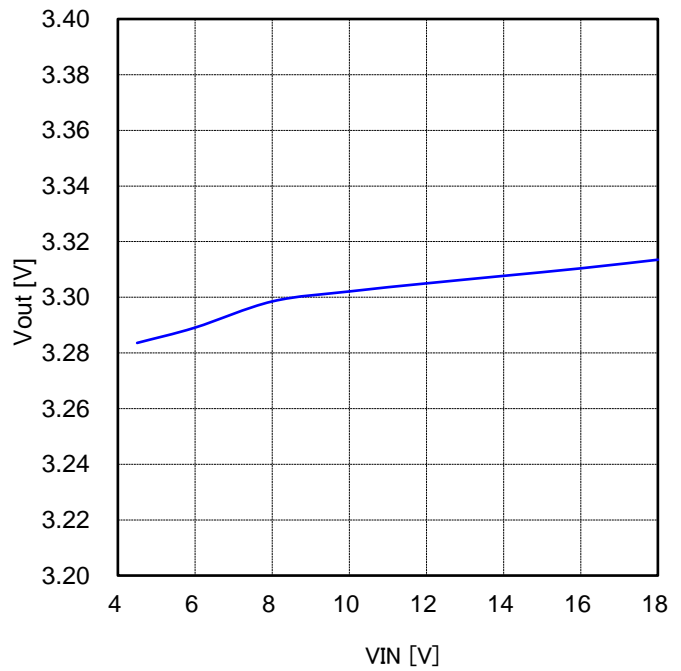


Figure 9. V_{OUT} Line Regulation
(V_{OUT} =3.3V, L=4.7μH, Cout=44μF, I_{OUT}=0A)

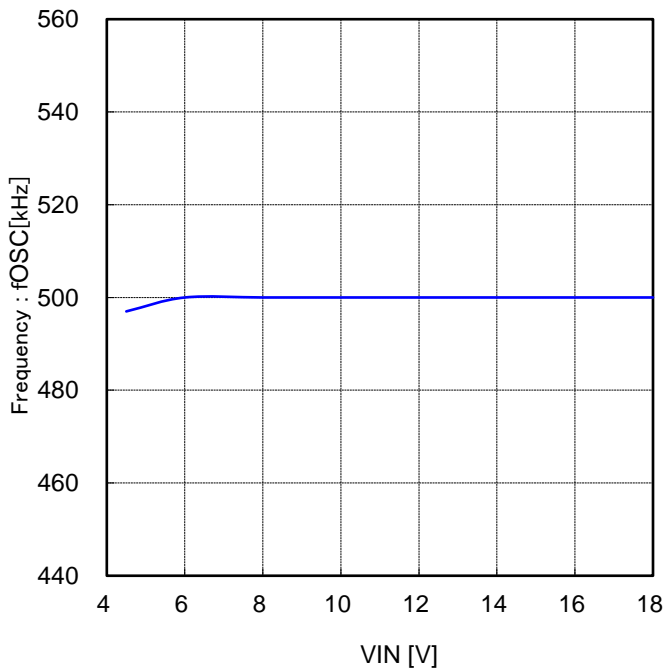


Figure 10. Switching Frequency
(V_{OUT} =3.3V, L=4.7μH, Cout=44μF, I_{OUT}=0A)

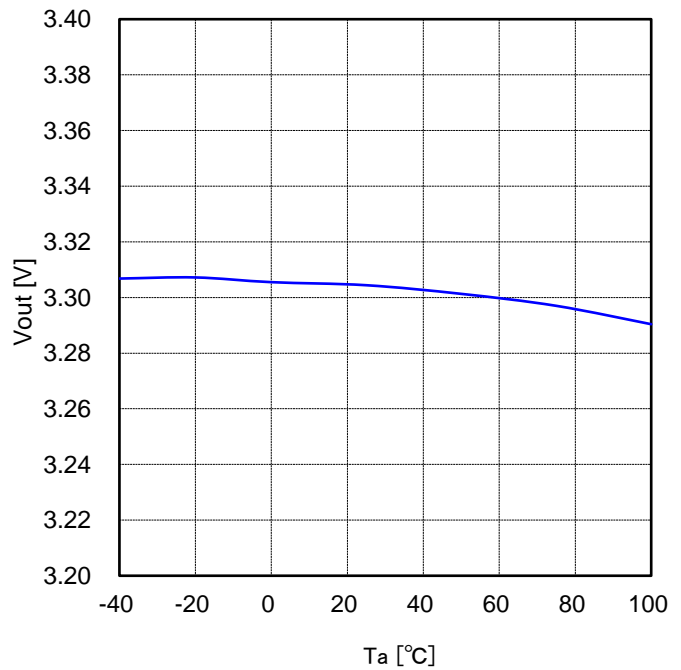
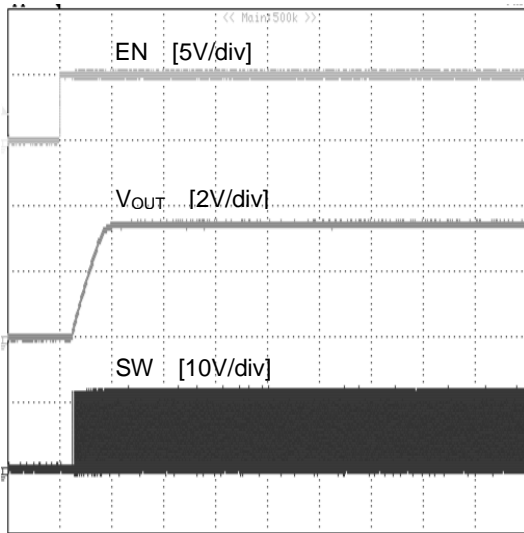


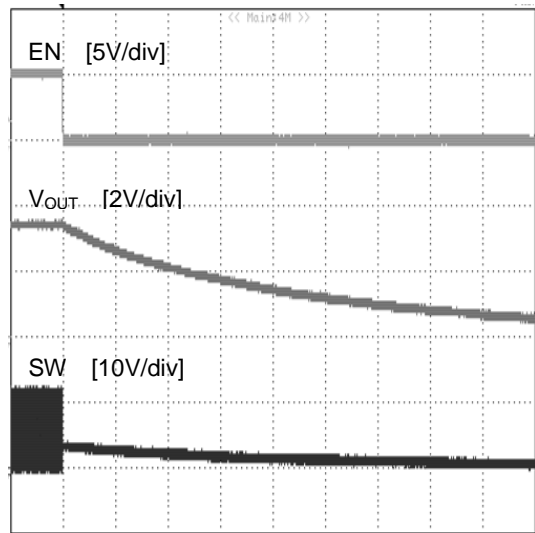
Figure 11. V_{OUT} vs Temperature
(V_{IN}=12V, V_{OUT} =3.3V, L=4.7μH, Cout=44μF, I_{OUT}=0A)

Typical Performance Curves (Continued)



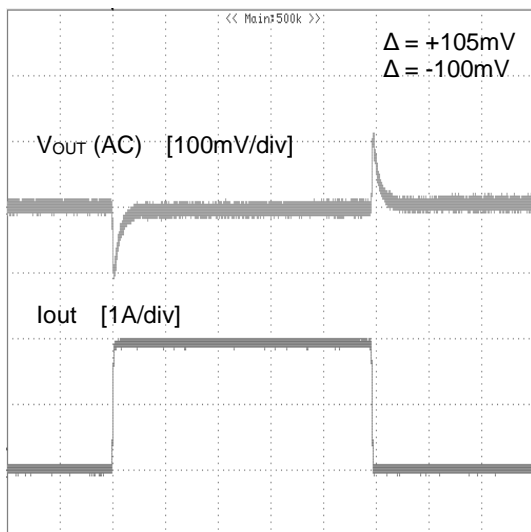
T - Time – 1msec/div

Figure 12. Start-up with EN
(V_{IN}=12V, V_{OUT}=3.3V, L=4.7μH, C_{out}=44μF, I_{out}=0A)



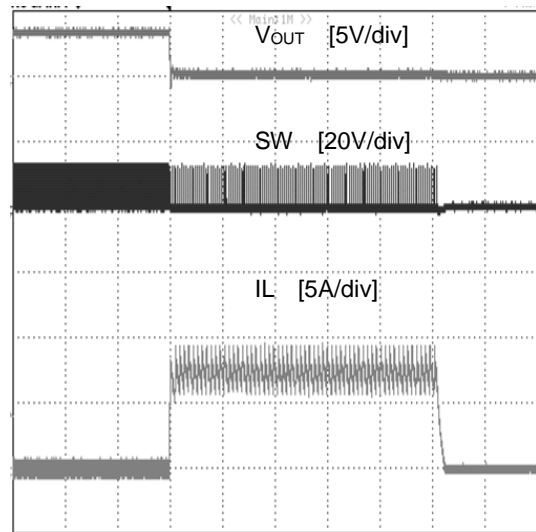
T - Time – 200msec/div

Figure 13. Shutdown Wave Form
(V_{IN}=12V, V_{OUT}=3.3V, L=4.7μH, C_{out}=44μF, I_{out}=0A)



T - Time – 1msec/div

Figure 14. Load Transient response
(V_{IN}=12V, V_{OUT}=3.3V, L=4.7μH, C_{out}=44μF, I_{out}=2A)



T - Time - 200μsec/div

Figure 15. OCP Function
(V_{IN}=12V, V_{OUT} 3.3V, L=4.7μH, C_{out}=44μF, V_{OUT} is short to GND)

Function Explanations

1. Enable control

The IC shutdown can be controlled by the voltage applied to the EN pin. When V_{EN} reaches 2.0 V, the internal circuit is activated and the IC starts up.

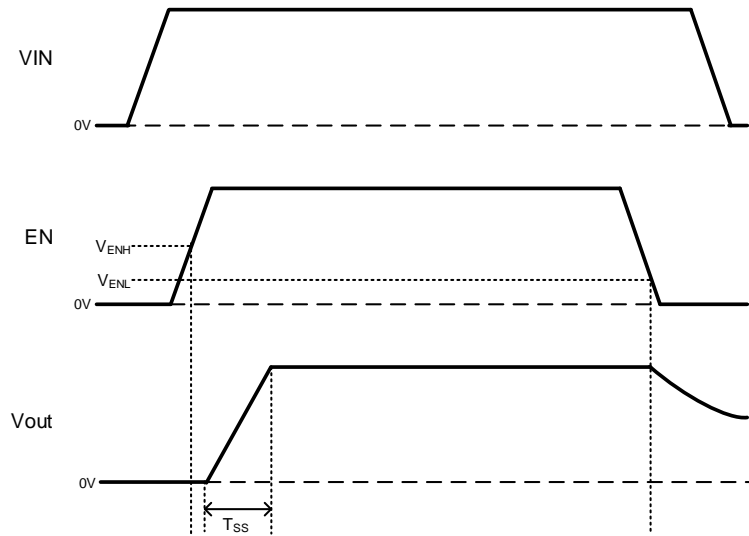


Figure 16. Timing Chart of Enable Control

2. Protective Functions

The protective circuits are intended for prevention of damage caused by unexpected accidents. Do not use them for continuous protective operation.

2.1 Short Circuit Protection Function (SCP)

The short circuit protection block (SCP) compares the FB pin voltage with the internal reference voltage V_{REF} . When the FB pin voltage fall below V_{SCP} ($= V_{REF} - 240mV$) and with that situation continuing for off latch time, it latches output in off situation.

Table 1 Short Circuit Protection Function

EN Pin	FB Pin	Short Circuit Protection Function	Short Circuit Protection Operation
2.0 V or higher	$< V_{SCP}$	Enabled	ON
	$> V_{SCP}$		OFF
0.8 V or lower	-	Disabled	OFF

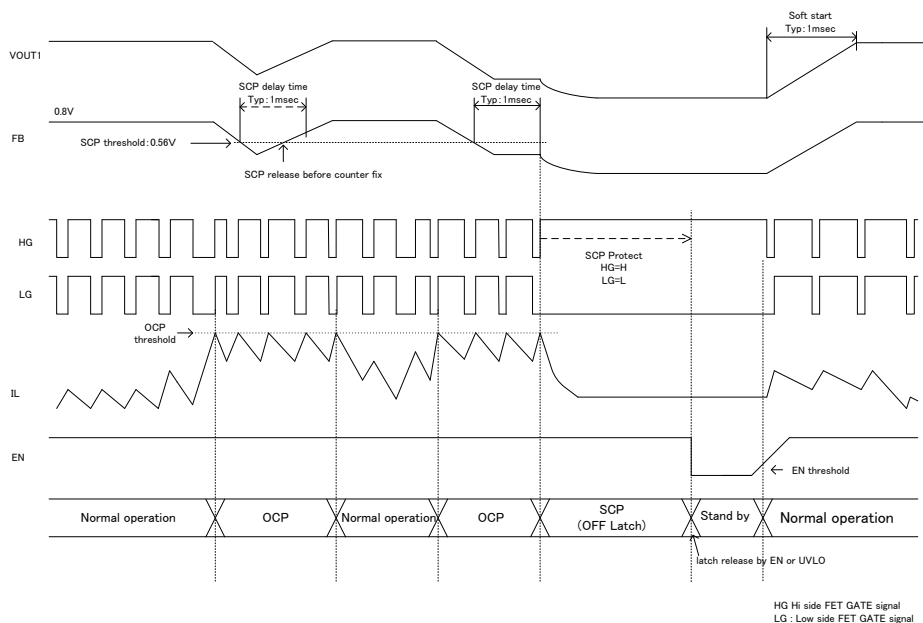


Figure 17. Short Circuit Protection function (SCP) timing chart

2.2. Under Voltage Lockout Protection (UVLO)

The Under Voltage Lockout Protection (UVLO) circuit monitors the VIN pin voltage. The device stops the switching operation and the output voltage drops when the VIN pin voltage is 3.8V (Typ) in the case of VIN sweep down. The device starts the switching operation and the output voltage gradually rises when the VIN pin voltage is 4.0V (Typ) in the case of VIN sweep up.

In the case of the application that EN pin is shortened to VIN pin like Figure 18-a, please use the UVLO function on the below conditions.

- VIN Sweep Down: Set the falling slew rate of VIN to 0.9V/ms or more and drop the VIN voltage to 0V.
- VIN Sweep Up: Set the rising slew rate of VIN to 1.8V/ms or more and start the VIN voltage from 0V.

If the slew rate is slower than the above values, UVLO circuit is not able to operate normally and the output of UVLO block may become indefinite at the lower VIN voltage than UVLO release or detect voltage. The Vout voltage may be re-outputted in the case of the indefinite UVLO output.

If the VIN pin voltage has the rising slew rate of less than 1.8V/ms or the falling slew rate of less than 0.9V/ms, the start-up and shutdown must be controlled by EN function instead of UVLO function as shown Figure 18-b.

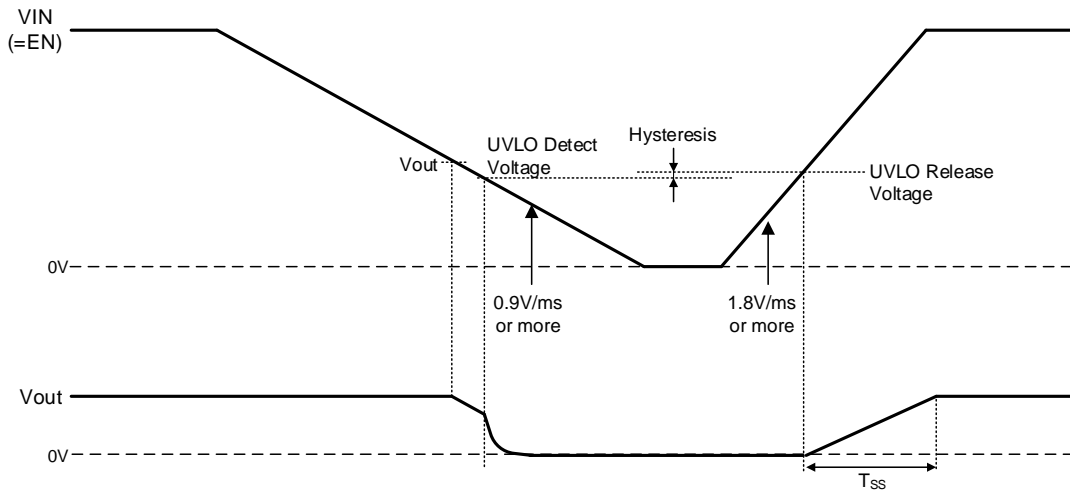


Figure 18-a. UVLO Timing Chart (VIN=EN)

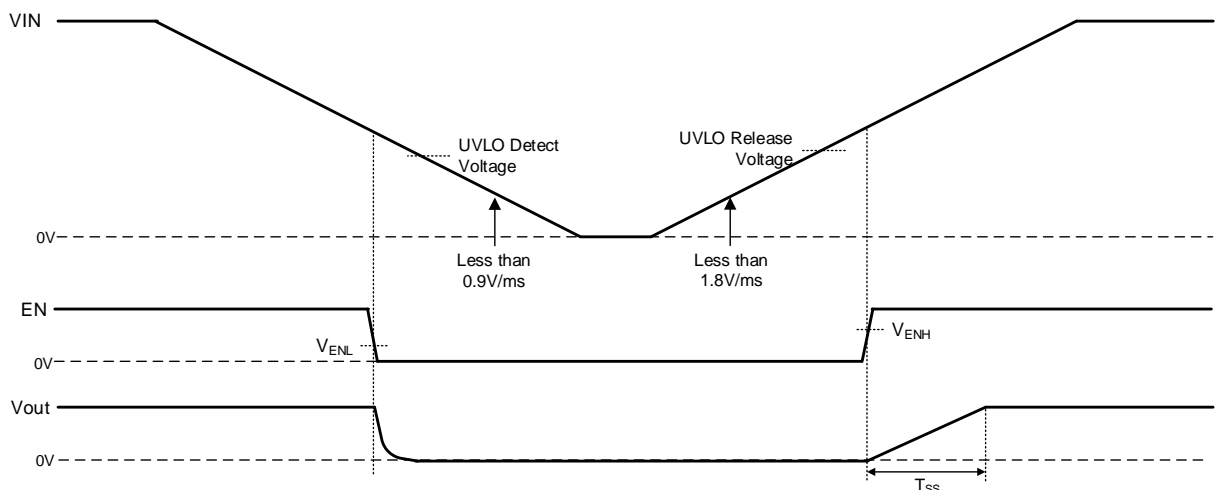


Figure 18-b. EN Control Timing Chart in the case of slow VIN slew rate

If there is any questions about above EN control or considerations of other control method, please contact us.

2-3. Thermal Shutdown

When the chip temperature exceeds $T_j = 175^{\circ}\text{C}$ (Typ), the DC/DC converter output is stopped. The thermal shutdown circuit is intended for shutting down the IC from thermal runaway in an abnormal state with the temperature exceeding $T_{jmax} = 150^{\circ}\text{C}$ (Typ). It is not meant to protect or guarantee the soundness of the application. Do not use the function of this circuit for application protection design.

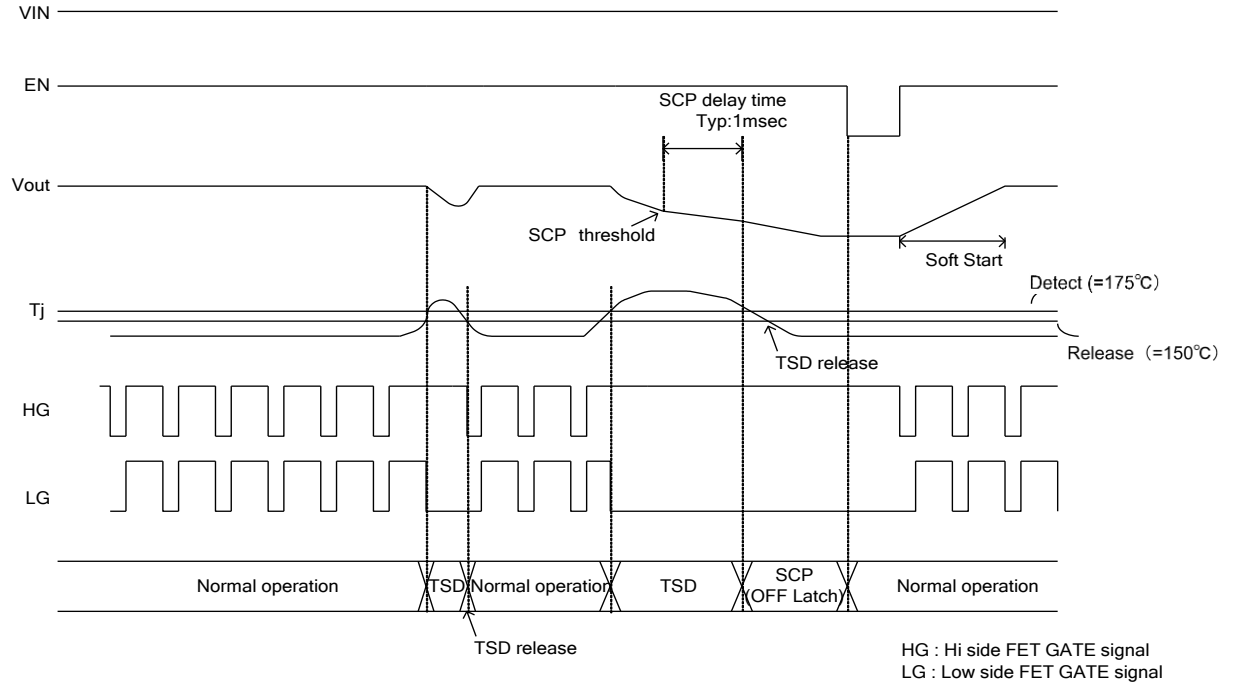


Figure 19. TSD Timing chart

2-4. Over Current Protection

The Over Current Protection operates by using the current mode control to limit the current that flows through the top MOSFET at each cycle of the switching frequency. When an abnormal state continues, the output is fixed in a low level.

2-5. Error detection (off latch) release method

BD9C301FJ enters the state of off latch when the protection function operates.

To release the off latch state, the VIN pin voltage should be changed to less than UVLO level ($=3.8\text{V}$ [Typ]) or, the EN pin voltage falls below V_{ENL} voltage.

Application Example

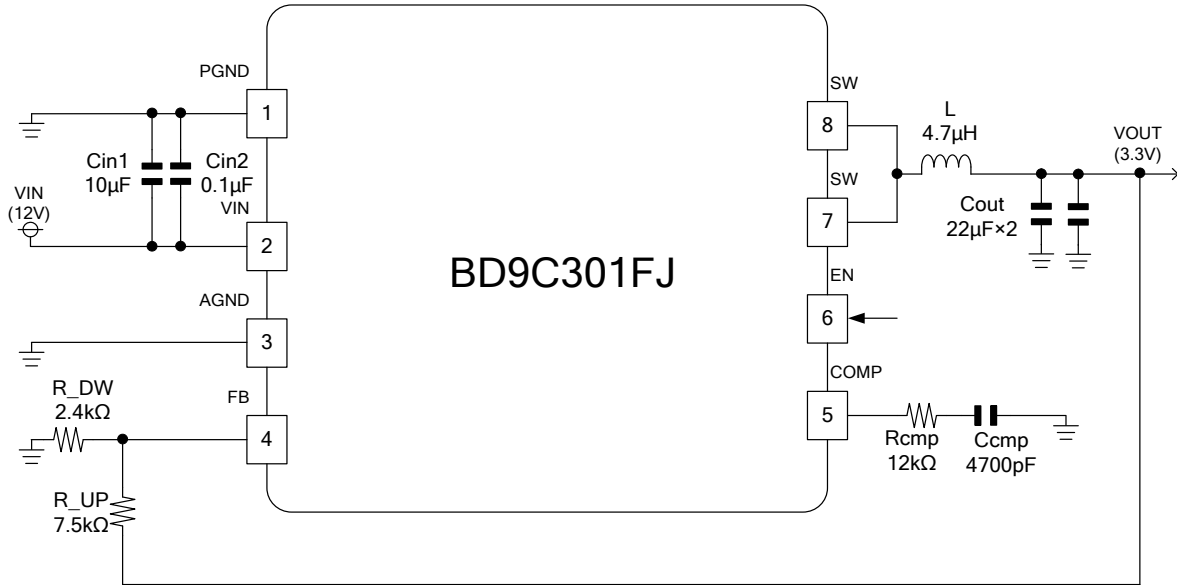


Figure 20. Application Circuit
(VIN=12V, VOUT=3.3V)

*Please confirm the above components values and the characteristics on the application board because there is a case needed to adjust the values due to the application load.

*If it is considered to use the other application circuit or the other components values, please contact us.

		Maker	Part No
Input capacitor(Cin1)	10µF/25V	TDK	C3225JB1E106K
Input capacitor(Cin2)	0.1µF/25V	TDK	C1608JB1H104K
Output capacitor(Cout)	22µF/16V x 2	TDK	C3216JB1C226M x 2
Inductor (L)	4.7µH	TDK	SPM6530-4R7

The example of output voltage setting at VIN=12V

Vo(V)	FB	
	R_UP [kΩ]	R_DW [kΩ]
5	4.3	0.82
3.3	7.5	2.4
1.8	15	12
1.5	16	18
1.2 ^(Note1)	10	20
1 ^(Note1)	5.1	20

(Note 1) VOUT has restriction with VIN. See page 14.

PCB Layout Design

In the step-down DC/DC converter, a large pulse current flows into two loops. The first loop is the one into which the current flows when the top FET is turned ON. The flow starts from the input capacitor C_{IN} , runs through the FET, inductor L and output capacitor C_{OUT} and back to GND of C_{IN} via GND of C_{OUT} . The second loop is the one into which the current flows when the bottom FET is turned on. The flow starts from the bottom FET, runs through the inductor L and output capacitor C_{OUT} and back to GND of the bottom FET via GND of C_{OUT} . Route these two loops as thick and as short as possible to allow noise to be reduced for improved efficiency. It is recommended to connect the input and output capacitors directly to the GND plane. The PCB layout has a great influence on the DC/DC converter in terms of all of the heat generation, noise and efficiency characteristics.

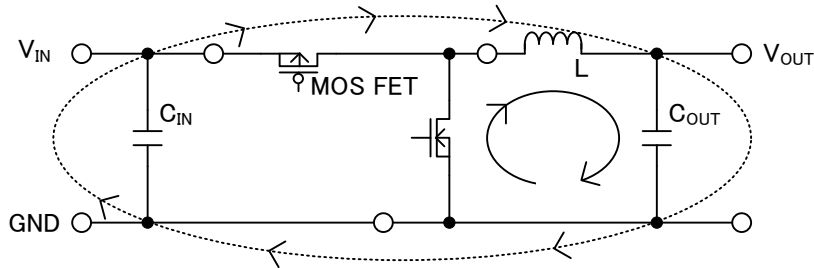


Figure 21. Current Loop of Buck Converter

Accordingly, design the PCB layout considering the following points.

- Connect an input capacitor as close as possible to the IC VIN pin on the same plane as the IC.
- If there is any unused area on the PCB, provide a copper foil plane for the GND node to assist heat dissipation from the IC and the surrounding components.
- Switching nodes such as SW are susceptible to noise due to AC coupling with other nodes. Route the coil pattern as thick and as short as possible.
- Provide lines connected to FB and COMP far from the SW nodes.
- Place the output capacitor away from the input capacitor in order to avoid the effect of harmonic noise from the input.

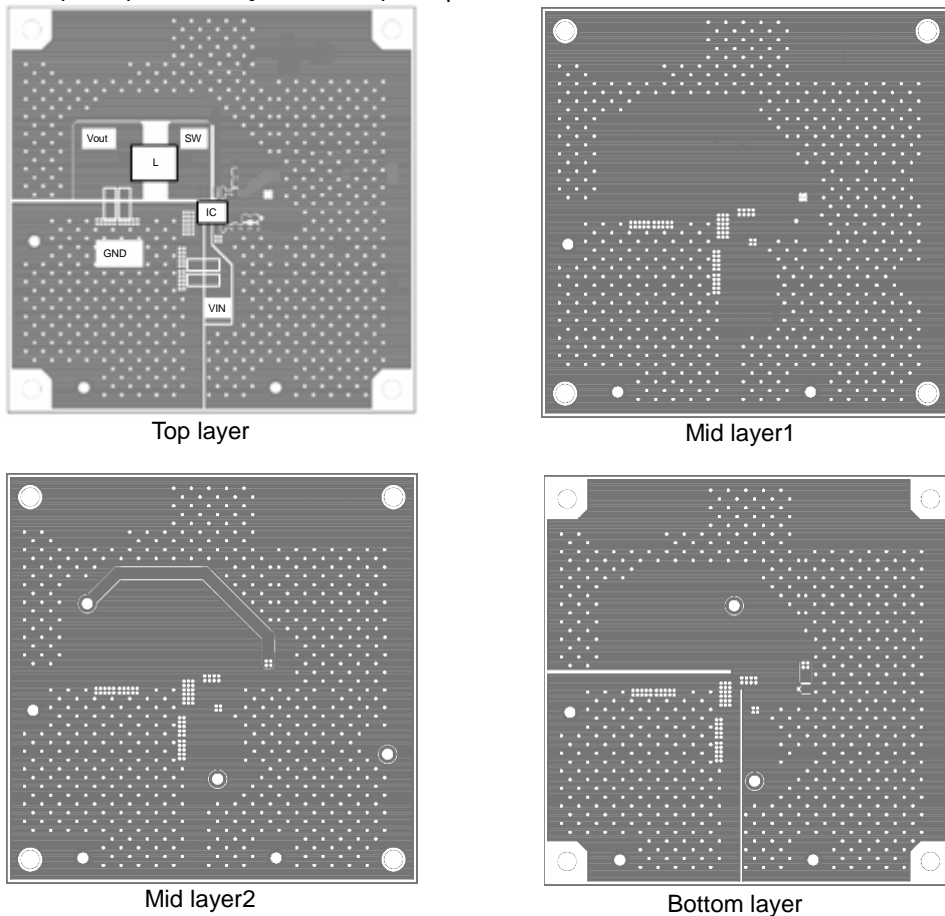


Figure 22. Example of evaluation board layout

Selection of Components Externally Connected

1. Output LC Filter Constant

The DC/DC converter requires an LC filter for smoothing the output voltage in order to supply a continuous current to the load. Selecting an inductor with a large inductance causes the ripple current ΔI_L that flows into the inductor to be small. However, decreasing the ripple voltage generated in the output is not advantageous in terms of the load transient response characteristic. An inductor with a small inductance improves the transient response characteristic but causes the inductor ripple current to be large which increases the ripple voltage in the output voltage, showing a trade-off relationship. It is recommended to select an inductance such that the size of the ripple current component of the coil will be 20% to 40% of the average output current (average inductor current).

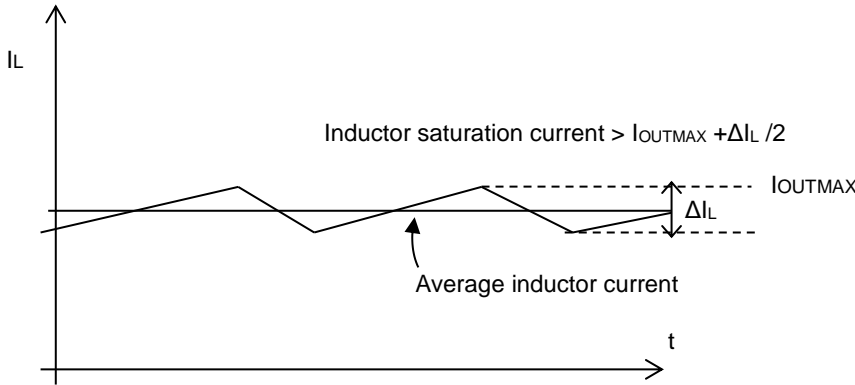


Figure 23. Waveform of current through inductor

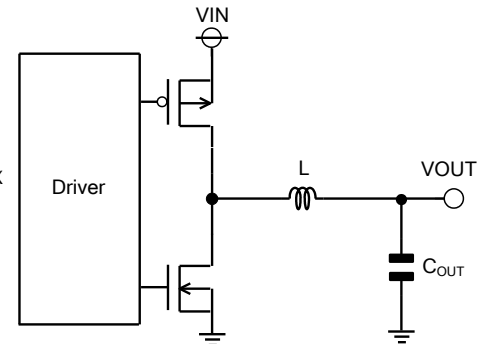


Figure 24. Output LC filter circuit

With $V_{IN} = 12\text{ V}$, $V_{OUT} = 3.3\text{ V}$ and the switching frequency $F_{OSC} = 500\text{ kHz}$, the calculation is shown in the following equation.

Coil ripple current $\Delta I_L = 30\% \times \text{Average output current (3 A)} = 0.9\text{ [A]}$

$$L = V_{OUT} \times (V_{IN} - V_{OUT}) \times \frac{1}{V_{IN} \times F_{OSC} \times \Delta I_L} = 5.31\mu \doteq 4.7\mu \text{ [H]}$$

where :

F_{OSC} is a switching frequency

The saturation current of the inductor must be larger than the sum of the maximum output current and 1/2 of the inductor ripple current ΔI_L .

The output capacitor C_{OUT} affects the output ripple voltage characteristics. The output capacitor C_{OUT} must satisfy the required ripple voltage characteristics.

The output ripple voltage can be represented by the following equation.

$$\Delta V_{RPL} = \Delta I_L \times (R_{ESR} + \frac{1}{8 \times C_{OUT} \times F_{OSC}}) [V]$$

where :

R_{ESR} is the Equivalent Series Resistance (ESR) of the output capacitor.

Also this IC provides 1msec[Typ] soft start function to reduce sudden current which flows in output capacitor when startup. But when capacity value of output capacitor C_{OUT} becomes bigger than the following method, correct soft start waveform may not appear in some cases. (ex. V_{OUT} over shoot at soft start .)

Select output capacitor C_{OUT} fulfilling the following condition including scattering and margin.

$$C_{OUT} < \frac{I_{OCP}(= 3.5A[min]) \times T_{SS}(= 0.5ms[min])}{V_{OUT}} \text{ [F]}$$

where :

I_{OCP} is switch current restricted value

T_{SS} is soft start time

Caution) Concerning C_{OUT} total the capacity value of every part connected to Output line.

2. Output Voltage Setting

The output voltage value can be set by the feedback resistance ratio.

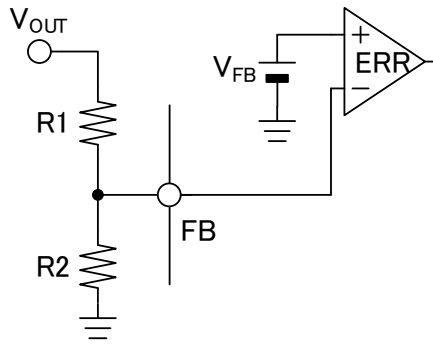


Figure 25. Feedback Resistors Circuit

$$V_{OUT} = \frac{R_1 + R_2}{R_2} \times V_{FB} \quad [V]$$

V_{FB} is 0.8V (Typ) at V_{IN}=12V. The output voltage can be calculated as below formula.

$$V_{OUT} = \frac{R_1 + R_2}{R_2} \times 0.800 \quad [V]$$

Output voltage V_{OUT} and V_{FB} have the V_{IN} dependence as shown in Figure 9 V_{OUT} Line Regulation.

For example, the output voltage at V_{IN}=5V can be set as below.

$$V_{OUT} = \frac{R_1 + R_2}{R_2} \times 0.793 \quad [V]$$

If it is considered to use on the other input voltage, please refer to Figure 9 and set the output voltage value by considering the V_{IN} dependence. Please contact us if needed.

V_{OUT} has restriction with V_{IN} by the following equation.

$$V_{OUTMIN}: V_{IN} \times 0.125$$

$$(V_{IN} \times 0.125 \geq 0.8V)$$

$$V_{OUTMAX}: V_{IN} \times 0.7$$

3. Phase Compensation Component

A current mode control buck DC/DC converter is a two-pole, one-zero system. Two poles are formed by an error amplifier and load and the one zero point is added by phase compensation. The phase compensation resistor R_{CMP} determines the crossover frequency F_{CRS} where the total loop gain of the DC/DC converter is 0 dB. A high value crossover frequency F_{CRS} provides a good load transient response characteristic but inferior stability. Conversely, a low value crossover frequency F_{CRS} greatly stabilizes the characteristics but the load transient response characteristic is impaired. Here, select the constant so that the crossover frequency F_{CRS} will be 1/20 of the switching frequency.

(1) Selection of Phase Compensation Resistor R_{CMP}

The Phase Compensation Resistance R_{CMP} can be determined by using the following equation.

$$R_{CMP} = \frac{2\pi \times V_{OUT} \times F_{CRS} \times C_{OUT}}{V_{FB} \times G_{MP} \times G_{MA}} \quad [\Omega] \quad (3-1)$$

where :

V_{OUT} is Output Voltage

F_{CRS} is Crossover Frequency

C_{OUT} is Output Capacitance

V_{FB} is Feedback Reference Voltage (0.8 V (Typ))

G_{MP} is Current Sense Gain (7.8 A/V (Typ))

G_{MA} is Error Amplifier Transconductance (300 μA/V (Typ))

(2) Selection of Phase Compensation Capacitance C_{CMP}

The phase compensation capacitance C_{CMP} can be determined by using the following equation.

$$C_{CMP} = \frac{V_{OUT} \times C_{OUT}}{I_{OUT} \times R_{CMP}} \quad [F] \quad (3-2)$$

*When capacity value of C_{CMP} and resistance value of R_{CMP} don't meet the following method, correct soft start waveform may not appear in some cases.

Select C_{CMP} and R_{CMP} fulfilling the following condition including scattering and margin so that V_{CMP} voltage reaches 1.4V or over within Off-latch delay time of SCP detection (500μsec(MIN)).

$$V_{CMP} = R_{CMP} \times I_{CMP} + \frac{I_{CMP} \times T}{C_{CMP}} \geq 1.4 \quad [V] \quad (3-3)$$

$$\frac{I_{CMP} \times T}{C_{CMP}} \geq 0.715 \quad [V] \quad (3-4)$$

V_{CMP} is COMP Terminal voltage
 R_{CMP} is resistor connected to COMP Terminal
 C_{CMP} is capacitor connected to COMP Terminal
 I_{CMP} is Error Amplifier Source Current (45uA(MIN))
 T is SCP delay time(500μsec(MIN))

(3) Loop Stability

To ensure the stability of the DC/DC converter, make sure that a sufficient phase margin is provided. A phase margin of at least 45° in the worst conditions is recommended.

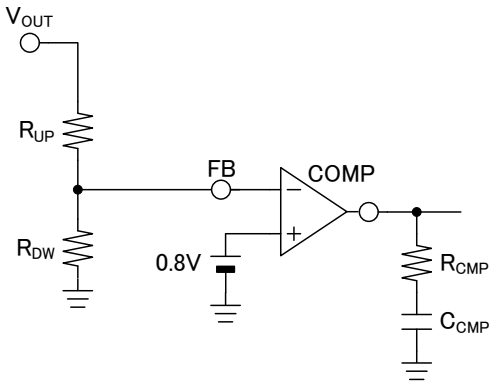


Figure 26. Phase Compensation Circuit

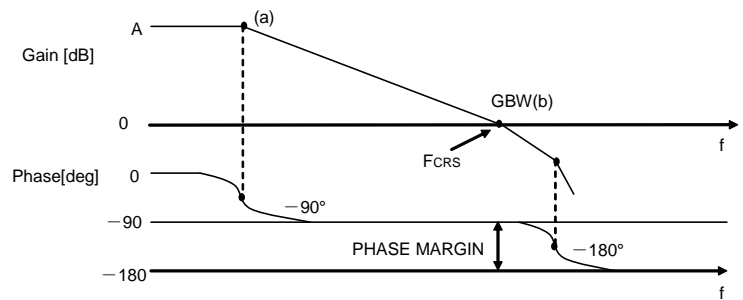


Figure 27. Bode Plot

I/O Equivalent Circuit Diagram

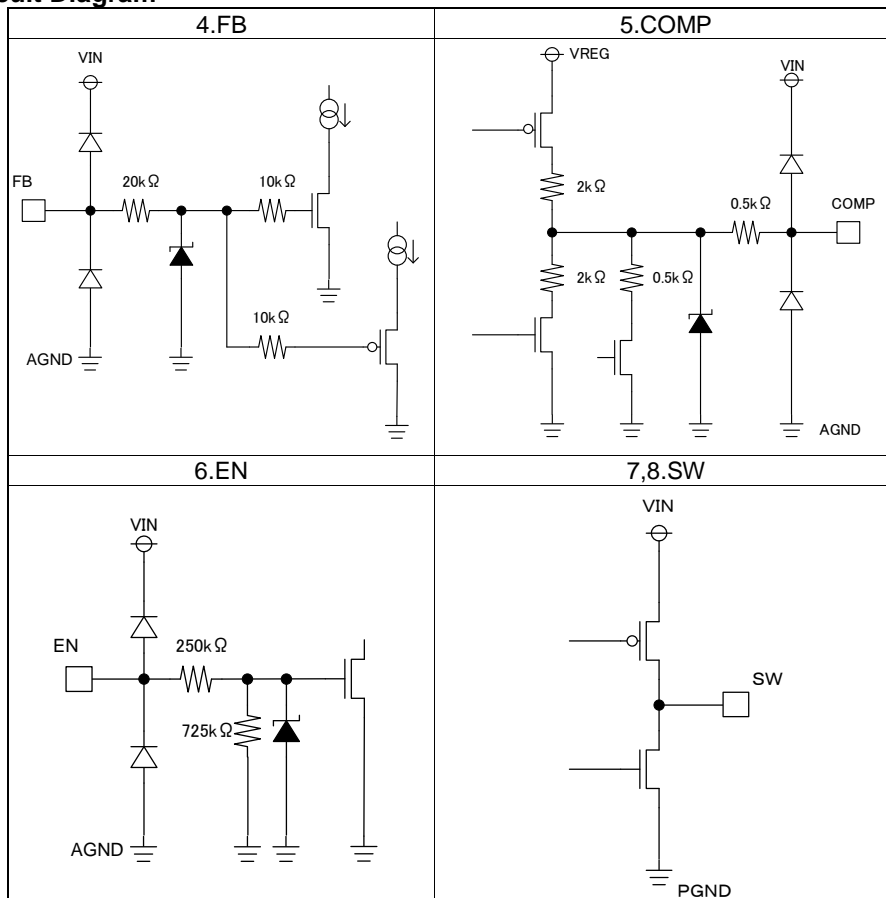


Figure 28.

Operational Notes

1. Reverse Connection of Power Supply

Connecting the power supply in reverse polarity can damage the IC. Take precautions against reverse polarity when connecting the power supply, such as mounting an external diode between the power supply and the IC's power supply pins.

2. Power Supply Lines

Design the PCB layout pattern to provide low impedance supply lines. Separate the ground and supply lines of the digital and analog blocks to prevent noise in the ground and supply lines of the digital block from affecting the analog block. Furthermore, connect a capacitor to ground at all power supply pins. Consider the effect of temperature and aging on the capacitance value when using electrolytic capacitors.

3. Ground Voltage

Ensure that no pins are at a voltage below that of the ground pin at any time, even during transient condition.

4. Ground Wiring Pattern

When using both small-signal and large-current ground traces, the two ground traces should be routed separately but connected to a single ground at the reference point of the application board to avoid fluctuations in the small-signal ground caused by large currents. Also ensure that the ground traces of external components do not cause variations on the ground voltage. The ground lines must be as short and thick as possible to reduce line impedance.

5. Thermal Consideration

Should by any chance the power dissipation rating be exceeded the rise in temperature of the chip may result in deterioration of the properties of the chip. The absolute maximum rating of the Pd stated in this specification is when the IC is mounted on a 70mm x 70mm x 1.6mm glass epoxy board. In case of exceeding this absolute maximum rating, increase the board size and copper area to prevent exceeding the Pd rating.

6. Recommended Operating Conditions

These conditions represent a range within which the expected characteristics of the IC can be approximately obtained. The electrical characteristics are guaranteed under the conditions of each parameter.

7. Inrush Current

When power is first supplied to the IC, it is possible that the internal logic may be unstable and inrush current may flow instantaneously due to the internal powering sequence and delays, especially if the IC has more than one power supply. Therefore, give special consideration to power coupling capacitance, power wiring, width of ground wiring, and routing of connections.

8. Operation Under Strong Electromagnetic Field

Operating the IC in the presence of a strong electromagnetic field may cause the IC to malfunction.

9. Testing on Application Boards

When testing the IC on an application board, connecting a capacitor directly to a low-impedance output pin may subject the IC to stress. Always discharge capacitors completely after each process or step. The IC's power supply should always be turned off completely before connecting or removing it from the test setup during the inspection process. To prevent damage from static discharge, ground the IC during assembly and use similar precautions during transport and storage.

10. Inter-pin Short and Mounting Errors

Ensure that the direction and position are correct when mounting the IC on the PCB. Incorrect mounting may result in damaging the IC. Avoid nearby pins being shorted to each other especially to ground, power supply and output pin. Inter-pin shorts could be due to many reasons such as metal particles, water droplets (in very humid environment) and unintentional solder bridge deposited in between pins during assembly to name a few.

Operational Notes – continued

11. Unused Input Pins

Input pins of an IC are often connected to the gate of a MOS transistor. The gate has extremely high impedance and extremely low capacitance. If left unconnected, the electric field from the outside can easily charge it. The small charge acquired in this way is enough to produce a significant effect on the conduction through the transistor and cause unexpected operation of the IC. So unless otherwise specified, unused input pins should be connected to the power supply or ground line.

12. Regarding the Input Pin of the IC

This monolithic IC contains P+ isolation and P substrate layers between adjacent elements in order to keep them isolated. P-N junctions are formed at the intersection of the P layers with the N layers of other elements, creating a parasitic diode or transistor. For example (refer to figure below):

When $GND > Pin A$ and $GND > Pin B$, the P-N junction operates as a parasitic diode.
 When $GND > Pin B$, the P-N junction operates as a parasitic transistor.

Parasitic diodes inevitably occur in the structure of the IC. The operation of parasitic diodes can result in mutual interference among circuits, operational faults, or physical damage. Therefore, conditions that cause these diodes to operate, such as applying a voltage lower than the GND voltage to an input pin (and thus to the P substrate) should be avoided.

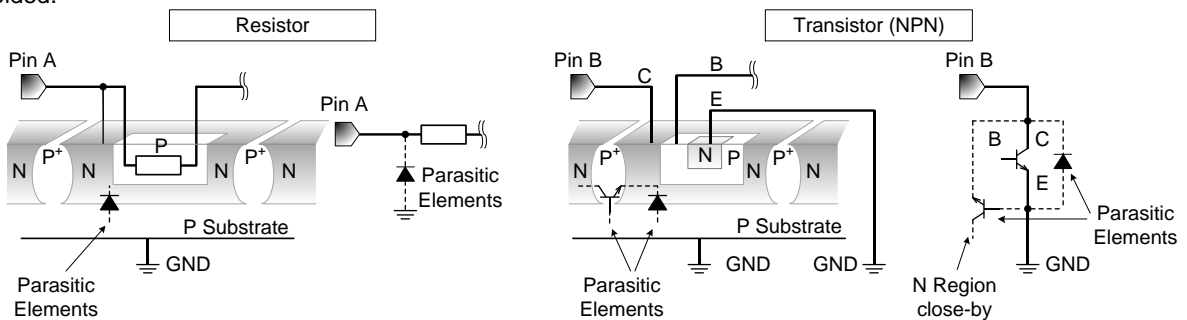


Figure 29. Example of monolithic IC structure

13. Ceramic Capacitor

When using a ceramic capacitor, determine the dielectric constant considering the change of capacitance with temperature and the decrease in nominal capacitance due to DC bias and others.

14. Area of Safe Operation (ASO)

Operate the IC such that the output voltage, output current, and power dissipation are all within the Area of Safe Operation (ASO).

15. Thermal Shutdown Circuit(TSD)

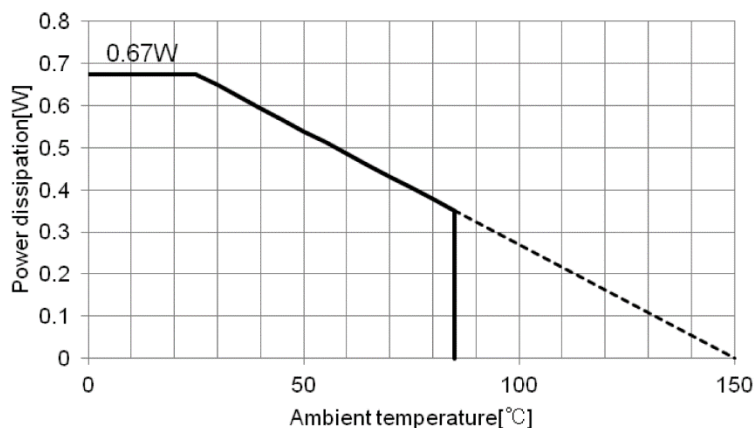
This IC has a built-in thermal shutdown circuit that prevents heat damage to the IC. Normal operation should always be within the IC's power dissipation rating. If however the rating is exceeded for a continued period, the junction temperature (T_j) will rise which will activate the TSD circuit that will turn OFF all output pins. When the T_j falls below the TSD threshold, the circuits are automatically restored to normal operation.

Note that the TSD circuit operates in a situation that exceeds the absolute maximum ratings and therefore, under no circumstances, should the TSD circuit be used in a set design or for any purpose other than protecting the IC from heat damage.

16. Over Current Protection Circuit (OCP)

This IC incorporates an integrated overcurrent protection circuit that is activated when the load is shorted. This protection circuit is effective in preventing damage due to sudden and unexpected incidents. However, the IC should not be used in applications characterized by continuous operation or transitioning of the protection circuit.

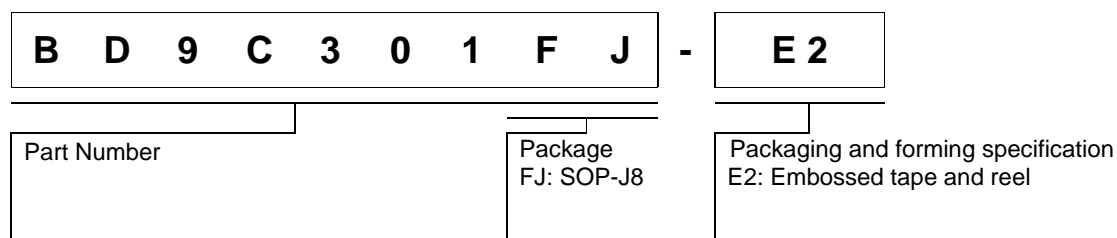
Power Dissipation



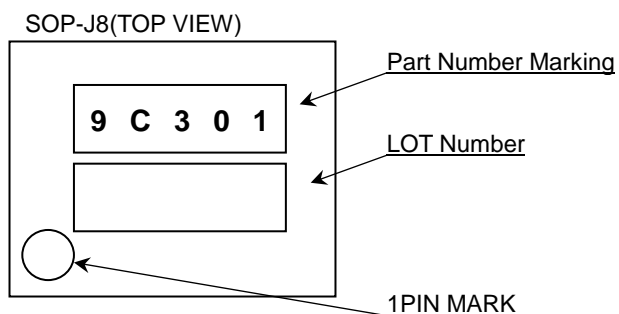
SOP-J8 Package

1 layer board
 (Board size: 70mm x 70mm x 1.6mm
 Copper foil area: 0mm x 0mm)

Ordering Information

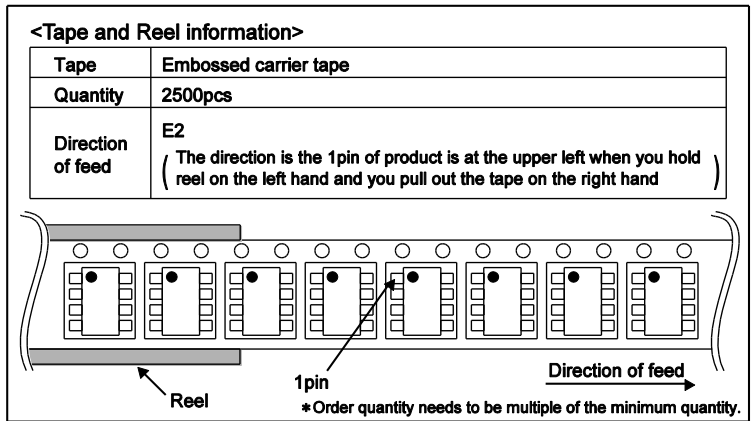
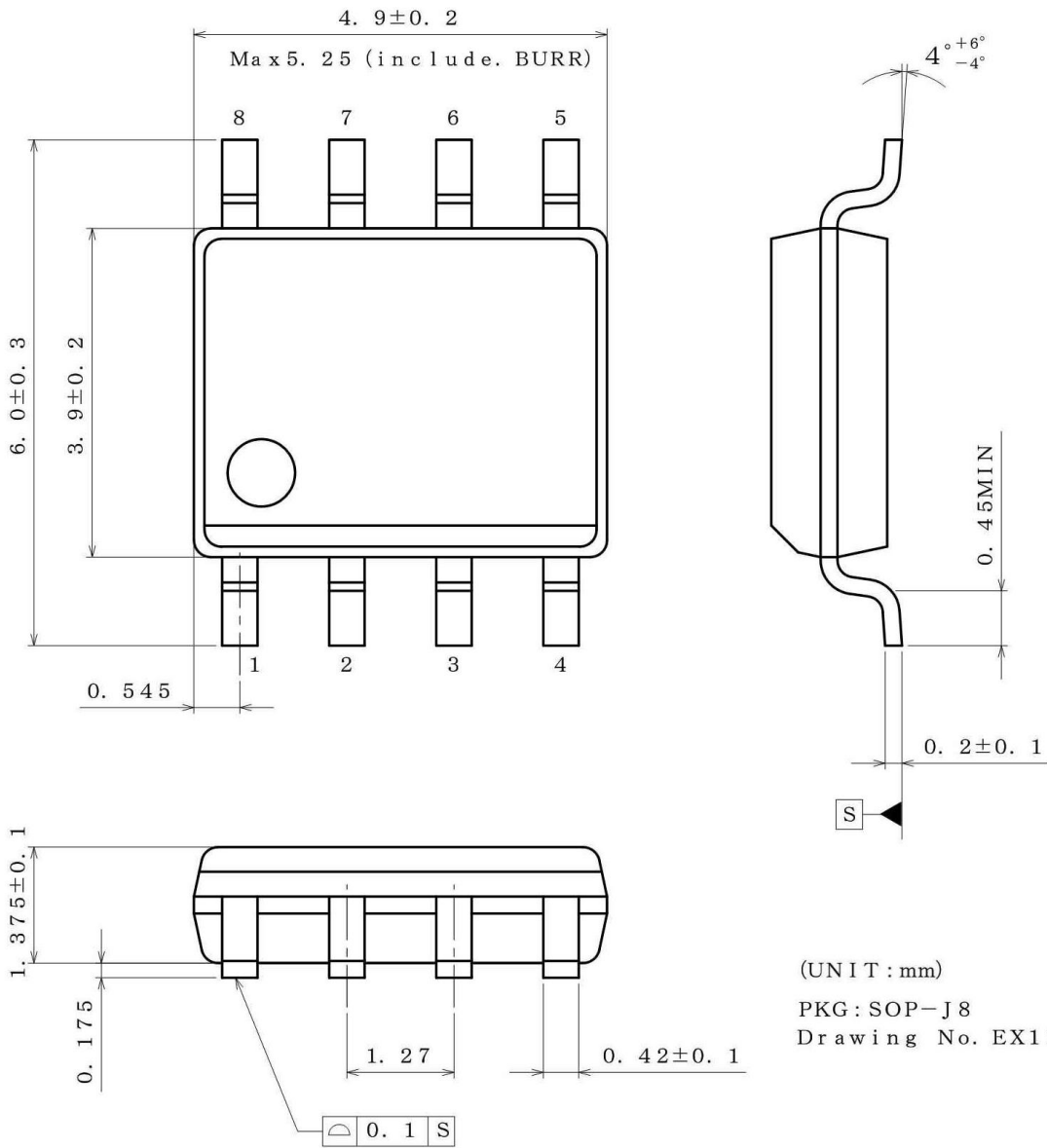


Marking Diagram (TOP VIEW)



Physical Dimension, Tape and Reel Information

Package Name	SOP-J8
--------------	--------



Revision History

Date	Draft	Changes
17.MAY.2013	001	New Release
6.AUG.2013	002	Add Example of evaluation board layout
8.OCT.2014	003	Expression change Output Voltage Setting
24.JUL.2018	004	P.8 Add VIN signal on Figure16. P.9 Add the explanation of UVLO and detailed timing chart. P.11 Add the description. P.14 Add the description.

Notice

Precaution on using ROHM Products

- Our Products are designed and manufactured for application in ordinary electronic equipment (such as AV equipment, OA equipment, telecommunication equipment, home electronic appliances, amusement equipment, etc.). If you intend to use our Products in devices requiring extremely high reliability (such as medical equipment ^(Note 1), transport equipment, traffic equipment, aircraft/spacecraft, nuclear power controllers, fuel controllers, car equipment including car accessories, safety devices, etc.) and whose malfunction or failure may cause loss of human life, bodily injury or serious damage to property ("Specific Applications"), please consult with the ROHM sales representative in advance. Unless otherwise agreed in writing by ROHM in advance, ROHM shall not be in any way responsible or liable for any damages, expenses or losses incurred by you or third parties arising from the use of any ROHM's Products for Specific Applications.

(Note1) Medical Equipment Classification of the Specific Applications

JAPAN	USA	EU	CHINA
CLASS III	CLASS III	CLASS II b	CLASS III
CLASS IV		CLASS III	

- ROHM designs and manufactures its Products subject to strict quality control system. However, semiconductor products can fail or malfunction at a certain rate. Please be sure to implement, at your own responsibilities, adequate safety measures including but not limited to fail-safe design against the physical injury, damage to any property, which a failure or malfunction of our Products may cause. The following are examples of safety measures:
 - Installation of protection circuits or other protective devices to improve system safety
 - Installation of redundant circuits to reduce the impact of single or multiple circuit failure
- Our Products are designed and manufactured for use under standard conditions and not under any special or extraordinary environments or conditions, as exemplified below. Accordingly, ROHM shall not be in any way responsible or liable for any damages, expenses or losses arising from the use of any ROHM's Products under any special or extraordinary environments or conditions. If you intend to use our Products under any special or extraordinary environments or conditions (as exemplified below), your independent verification and confirmation of product performance, reliability, etc. prior to use, must be necessary:
 - Use of our Products in any types of liquid, including water, oils, chemicals, and organic solvents
 - Use of our Products outdoors or in places where the Products are exposed to direct sunlight or dust
 - Use of our Products in places where the Products are exposed to sea wind or corrosive gases, including Cl₂, H₂S, NH₃, SO₂, and NO₂
 - Use of our Products in places where the Products are exposed to static electricity or electromagnetic waves
 - Use of our Products in proximity to heat-producing components, plastic cords, or other flammable items
 - Sealing or coating our Products with resin or other coating materials
 - Use of our Products without cleaning residue of flux (even if you use no-clean type fluxes, cleaning residue of flux is recommended); or Washing our Products by using water or water-soluble cleaning agents for cleaning residue after soldering
 - Use of the Products in places subject to dew condensation
- The Products are not subject to radiation-proof design.
- Please verify and confirm characteristics of the final or mounted products in using the Products.
- In particular, if a transient load (a large amount of load applied in a short period of time, such as pulse. is applied, confirmation of performance characteristics after on-board mounting is strongly recommended. Avoid applying power exceeding normal rated power; exceeding the power rating under steady-state loading condition may negatively affect product performance and reliability.
- De-rate Power Dissipation depending on ambient temperature. When used in sealed area, confirm that it is the use in the range that does not exceed the maximum junction temperature.
- Confirm that operation temperature is within the specified range described in the product specification.
- ROHM shall not be in any way responsible or liable for failure induced under deviant condition from what is defined in this document.

Precaution for Mounting / Circuit board design

- When a highly active halogenous (chlorine, bromine, etc.) flux is used, the residue of flux may negatively affect product performance and reliability.
- In principle, the reflow soldering method must be used on a surface-mount products, the flow soldering method must be used on a through hole mount products. If the flow soldering method is preferred on a surface-mount products, please consult with the ROHM representative in advance.

For details, please refer to ROHM Mounting specification

Precautions Regarding Application Examples and External Circuits

1. If change is made to the constant of an external circuit, please allow a sufficient margin considering variations of the characteristics of the Products and external components, including transient characteristics, as well as static characteristics.
2. You agree that application notes, reference designs, and associated data and information contained in this document are presented only as guidance for Products use. Therefore, in case you use such information, you are solely responsible for it and you must exercise your own independent verification and judgment in the use of such information contained in this document. ROHM shall not be in any way responsible or liable for any damages, expenses or losses incurred by you or third parties arising from the use of such information.

Precaution for Electrostatic

This Product is electrostatic sensitive product, which may be damaged due to electrostatic discharge. Please take proper caution in your manufacturing process and storage so that voltage exceeding the Products maximum rating will not be applied to Products. Please take special care under dry condition (e.g. Grounding of human body / equipment / solder iron, isolation from charged objects, setting of Ionizer, friction prevention and temperature / humidity control).

Precaution for Storage / Transportation

1. Product performance and soldered connections may deteriorate if the Products are stored in the places where:
 - [a] the Products are exposed to sea winds or corrosive gases, including Cl₂, H₂S, NH₃, SO₂, and NO₂
 - [b] the temperature or humidity exceeds those recommended by ROHM
 - [c] the Products are exposed to direct sunshine or condensation
 - [d] the Products are exposed to high Electrostatic
2. Even under ROHM recommended storage condition, solderability of products out of recommended storage time period may be degraded. It is strongly recommended to confirm solderability before using Products of which storage time is exceeding the recommended storage time period.
3. Store / transport cartons in the correct direction, which is indicated on a carton with a symbol. Otherwise bent leads may occur due to excessive stress applied when dropping of a carton.
4. Use Products within the specified time after opening a humidity barrier bag. Baking is required before using Products of which storage time is exceeding the recommended storage time period.

Precaution for Product Label

A two-dimensional barcode printed on ROHM Products label is for ROHM's internal use only.

Precaution for Disposition

When disposing Products please dispose them properly using an authorized industry waste company.

Precaution for Foreign Exchange and Foreign Trade act

Since concerned goods might be fallen under listed items of export control prescribed by Foreign exchange and Foreign trade act, please consult with ROHM in case of export.

Precaution Regarding Intellectual Property Rights

1. All information and data including but not limited to application example contained in this document is for reference only. ROHM does not warrant that foregoing information or data will not infringe any intellectual property rights or any other rights of any third party regarding such information or data.
2. ROHM shall not have any obligations where the claims, actions or demands arising from the combination of the Products with other articles such as components, circuits, systems or external equipment (including software).
3. No license, expressly or implied, is granted hereby under any intellectual property rights or other rights of ROHM or any third parties with respect to the Products or the information contained in this document. Provided, however, that ROHM will not assert its intellectual property rights or other rights against you or your customers to the extent necessary to manufacture or sell products containing the Products, subject to the terms and conditions herein.

Other Precaution

1. This document may not be reprinted or reproduced, in whole or in part, without prior written consent of ROHM.
2. The Products may not be disassembled, converted, modified, reproduced or otherwise changed without prior written consent of ROHM.
3. In no event shall you use in any way whatsoever the Products and the related technical information contained in the Products or this document for any military purposes, including but not limited to, the development of mass-destruction weapons.
4. The proper names of companies or products described in this document are trademarks or registered trademarks of ROHM, its affiliated companies or third parties.

General Precaution

1. Before you use our Products, you are requested to carefully read this document and fully understand its contents. ROHM shall not be in any way responsible or liable for failure, malfunction or accident arising from the use of any ROHM's Products against warning, caution or note contained in this document.
2. All information contained in this document is current as of the issuing date and subject to change without any prior notice. Before purchasing or using ROHM's Products, please confirm the latest information with a ROHM sales representative.
3. The information contained in this document is provided on an "as is" basis and ROHM does not warrant that all information contained in this document is accurate and/or error-free. ROHM shall not be in any way responsible or liable for any damages, expenses or losses incurred by you or third parties resulting from inaccuracy or errors of or concerning such information.

General Precaution

1. Before you use our Products, you are requested to carefully read this document and fully understand its contents. ROHM shall not be in any way responsible or liable for failure, malfunction or accident arising from the use of any ROHM's Products against warning, caution or note contained in this document.
2. All information contained in this document is current as of the issuing date and subject to change without any prior notice. Before purchasing or using ROHM's Products, please confirm the latest information with a ROHM sales representative.
3. The information contained in this document is provided on an "as is" basis and ROHM does not warrant that all information contained in this document is accurate and/or error-free. ROHM shall not be in any way responsible or liable for any damages, expenses or losses incurred by you or third parties resulting from inaccuracy or errors of or concerning such information.

X-ON Electronics

Largest Supplier of Electrical and Electronic Components

Click to view similar products for [Switching Voltage Regulators](#) category:

Click to view products by [ROHM](#) manufacturer:

Other Similar products are found below :

[FAN53610AUC33X](#) [FAN53611AUC123X](#) [FAN48610BUC33X](#) [FAN48610BUC45X](#) [FAN48617UC50X](#) [R3](#) [430464BB](#) [KE177614](#)
[MAX809TTR](#) [NCV891234MW50R2G](#) [NCP81103MNTXG](#) [NCP81203PMNTXG](#) [NCP81208MNTXG](#) [NCP81109GMNTXG](#)
[SCY1751FCCT1G](#) [NCP81109JMNTXG](#) [AP3409ADNTR-G1](#) [NCP81241MNTXG](#) [LTM8064IY](#) [LT8315EFE#TRPBF](#) [LTM4664EY#PBF](#)
[LTM4668AIY#PBF](#) [NCV1077CSTBT3G](#) [XCL207A123CR-G](#) [MPM54304GMN-0002](#) [MPM54304GMN-0004](#) [MPM54304GMN-0003](#)
[XDPE132G5CG000XUMA1](#) [AP62300Z6-7](#) [MP8757GL-P](#) [MIC23356YFT-TR](#) [LD8116CGL](#) [HG2269M/TR](#) [OB2269](#) [XD3526](#) [U6215A](#)
[U6215B](#) [U6620S](#) [LTC3412IFE](#) [LT1425IS](#) [MAX25203BATJA/VY+](#) [MAX77874CEWM+](#) [XC9236D08CER-G](#) [MP3416GJ-P](#)
[BD9S201NUX-CE2](#) [MP5461GC-Z](#) [MPQ4415AGQB-Z](#) [MPQ4590GS-Z](#) [MAX38640BENT18+T](#) [MAX77511AEWB+](#)