

AC/DC Converter

PWM Type DC/DC Converter IC Built-in a Switching MOSFET

BM2P0161-Z BM2P0361-Z

General Description

The PWM type DC/DC converter for AC/DC provides an optimal system for all products that require an electrical outlet.

BM2P0161-Z and BM2P0361-Z support both isolated and non-isolated devices, enabling simpler design of various types of low power consumption electrical converters.

The built-in 730 V starter circuit contributes to low-power consumption.

Power supply can be designed flexibly by connecting current sensing resistor for the switching externally. Current is restricted in each cycle and excellent performance is demonstrated in bandwidth and transient response since current mode control is utilized. The switching frequency is 65 kHz. At light load, the switching frequency is reduced and high efficiency is achieved. A frequency hopping function that contributes to low EMI is also included on chip.

Design can be easily implemented because includes a 730 V switching MOSFET.

Feature

- PWM Frequency: 65 kHz
- PWM Current Mode Control
- Built-in Frequency Hopping Function
- Burst Operation When Load is Light
- Frequency Reduction Function
- Built-in 730 V Starter Circuit
- Built-in 730 V Switching MOSFET
- VCC Pin Under-Voltage Protection
- VCC Pin Over-Voltage Protection
- SOURCE Pin Open Protection
- SOURCE Pin Short Protection
- SOURCE Pin Leading Edge Blanking Function
- Per-Cycle Over-Current Protection Circuit
- Over Current Protection AC Voltage Compensation Circuit
- Soft Start
- Secondary Over-Current Protection Circuit

Key Specification

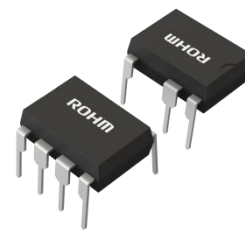
- Operating Power Supply Voltage Range:
 - VCC: 8.9 V to 26.0 V
 - DRAIN: 730 V(Max)
- Circuit Current (ON)1:
 - BM2P0161-Z: 0.90 mA(Typ)
 - BM2P0361-Z: 0.65 mA(Typ)
- Circuit Current (ON)2: 0.30 mA(Typ)
- Oscillation Frequency1: 65 kHz(Typ)
- Operating Ambient Temperature: -40 °C to +105 °C
- MOSFET ON Resistance:
 - BM2P0161-Z: 1.0 Ω(Typ)
 - BM2P0361-Z: 3.0 Ω(Typ)

Package

DIP7K

W (Typ) x D (Typ) x H (Max)

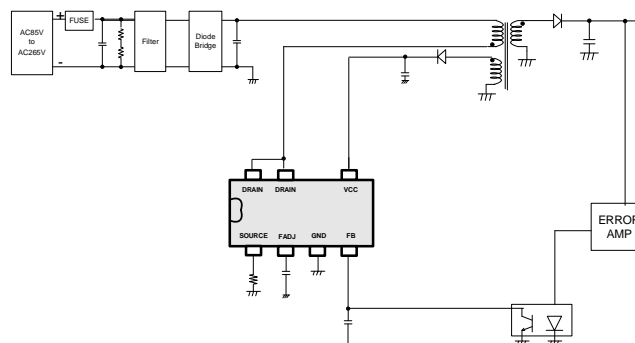
9.27 mm x 6.35 mm x 8.63 mm
pitch 2.54 mm



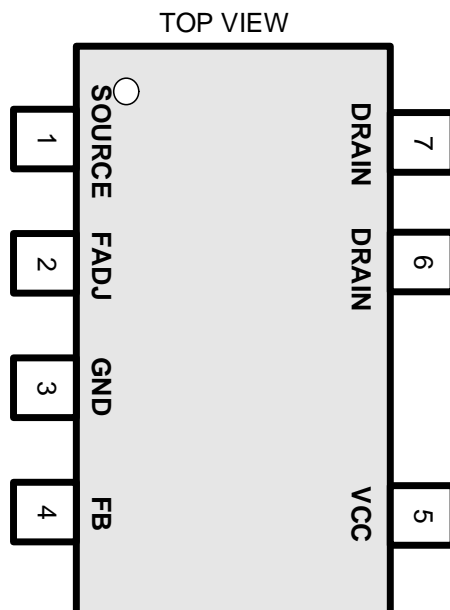
Application

For AC Adapters, TV and Household Appliances (Vacuum Cleaners, Humidifiers, Air Cleaners, Air Conditioners, IH Cooking Heaters, Rice Cookers, etc.)

Typical Application Circuit



Pin Configuration



Pin Description

Pin No.	Pin Name	I/O	Function	ESD Diode	
				VCC	GND
1	SOURCE	I/O	MOSFET SOURCE pin	○	○
2	FADJ	I	Burst frequency setting pin	○	○
3	GND	I/O	GND pin	○	-
4	FB	I	Feedback signal input pin	○	○
5	VCC	I	Power supply input pin	-	○
6	DRAIN	I/O	MOSFET DRAIN pin	-	-
7	DRAIN	I/O	MOSFET DRAIN pin	-	-

Description of Blocks

1. Start Circuit (DRAIN: Pin 6,7)

These ICs have a built-in start circuit. It enables low standby mode electricity and high speed start. After start up, consumption power is determined by idling current I_{START3} only. Reference values of starting time are shown in Figure 3. When $C_{VCC}=10\ \mu\text{F}$ it can start in less than 0.1 s.

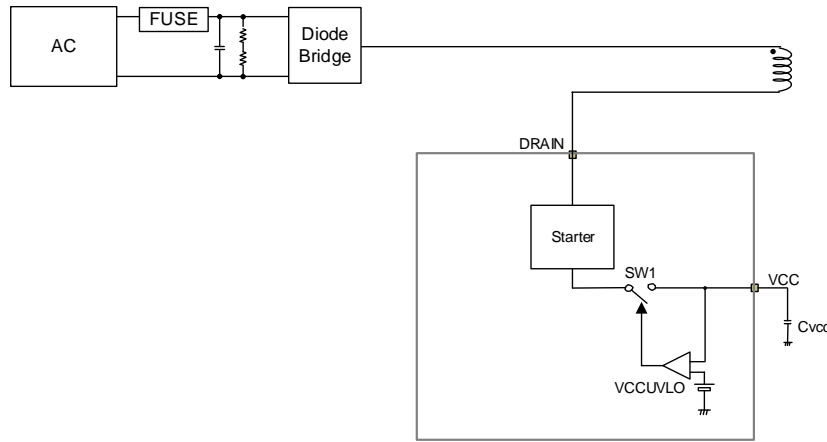


Figure 1. Block Diagram of Start Circuit

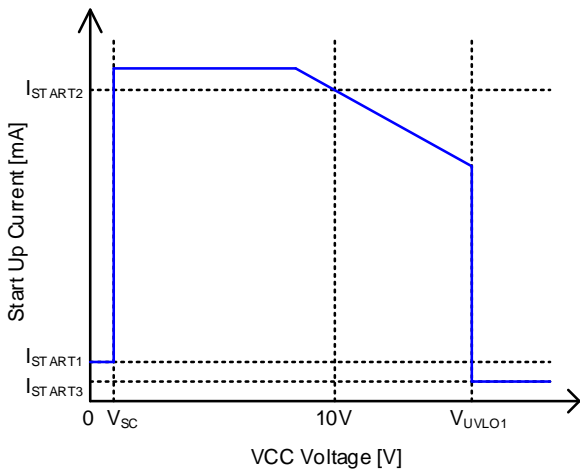


Figure 2. Start Up Current vs VCC Voltage

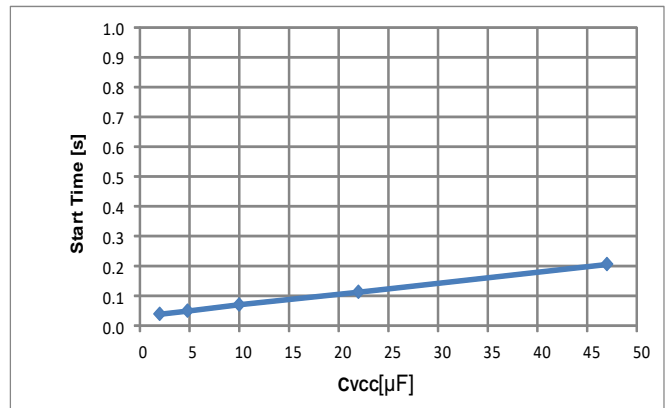


Figure 3. Start Time vs Cvcc

* Start current flows from the DRAIN pin.

e.g.) Consumption power of start circuit only when Vac=100 V

$$PVH = 100V \times \sqrt{2} \times 10\mu A = 1.41mW$$

e.g.) Consumption power of start circuit only when Vac=240 V

$$PVH = 240V \times \sqrt{2} \times 10\mu A = 3.39mW$$

Description of Blocks - continued

2. Start Sequences

Start sequences are shown in Figure 4. See the sections below for detailed descriptions.

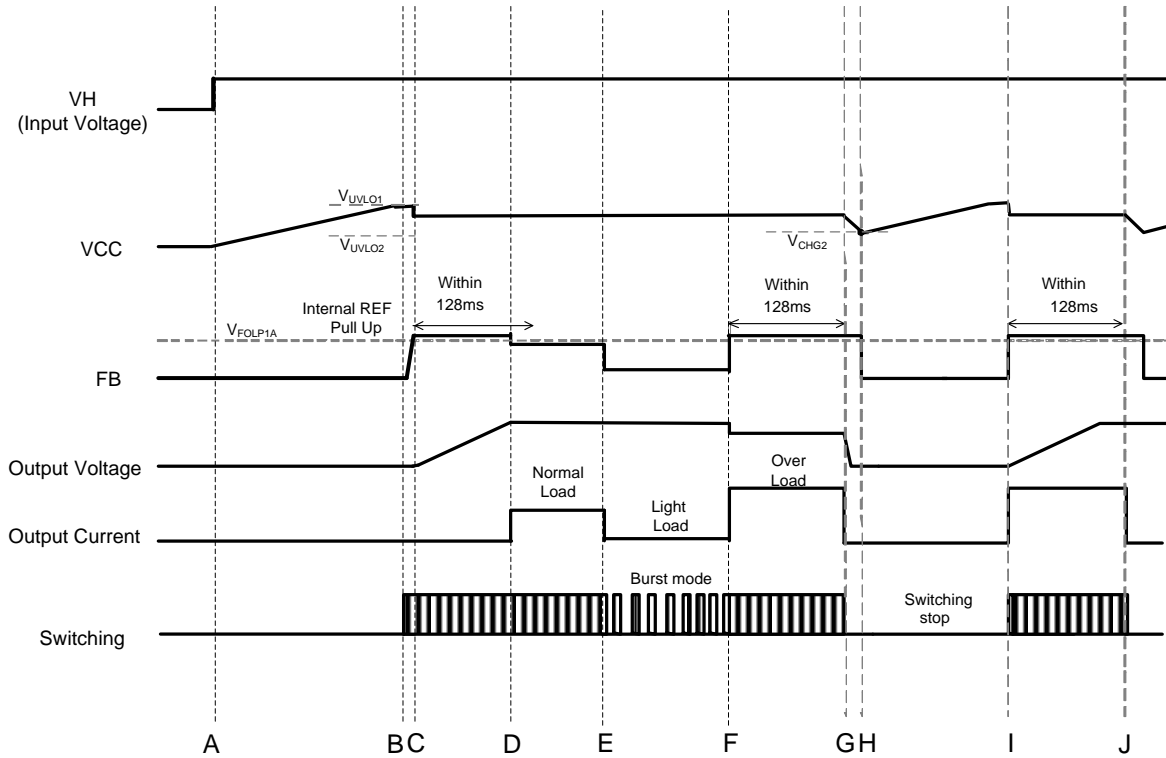


Figure 4. Start Sequences Timing Chart

- A: Input voltage V_H is applied.
- B: This IC starts operating when $V_{CC} > V_{UVLO1}$. Switching function starts when other protection functions are judged as normal. Until the secondary output voltage becomes constant value or more from startup, the VCC pin consumption current causes the VCC voltage to drop. As a result, IC should be set to $V_{CC} > V_{UVLO2}$ until switching starts.
- C: With the soft start function, over current limit value is restricted to prevent any excessive rise in voltage or current.
- D: When the switching operation starts, V_{OUT} rises.
After a switching operating start, set the rated voltage within the t_{FOLP1} period.
- E: When there is a light load, it makes FB voltage $< V_{BST}$. Burst operation is used to keep power consumption down.
- F: When the FB pin voltage $> V_{FOLP1A}$, it overloads.
- G: When the FB pin voltage $> V_{FOLP1A}$ keeps above t_{FOLP1} , overcurrent protection is caused between t_{FOLP2} period, and switching stops. If the FB pin voltage $< V_{FOLP1B}$, the ICs internal timer t_{FOLP1} is reset.
- H: If the VCC voltage $< V_{CHG2}$, recharge operation raises the VCC voltage.
- I: Same as F.
- J: Same as G.

Description of Blocks – continued

3. VCC Pin Protection Function

These ICs have a built-in VCC UVLO (Under Voltage Lockout), VCC OVP (Over Voltage Protection), and a VCC recharge function that operates in case of a drop in VCC voltage.

VCC charge function stabilizes the secondary output voltage, charged from high voltage lines by the start circuit when VCC voltage drops.

(1) VCC UVLO / VCC OVP Function

VCC UVLO and VCC OVP are the self-recovery type comparator having voltage hysteresis.

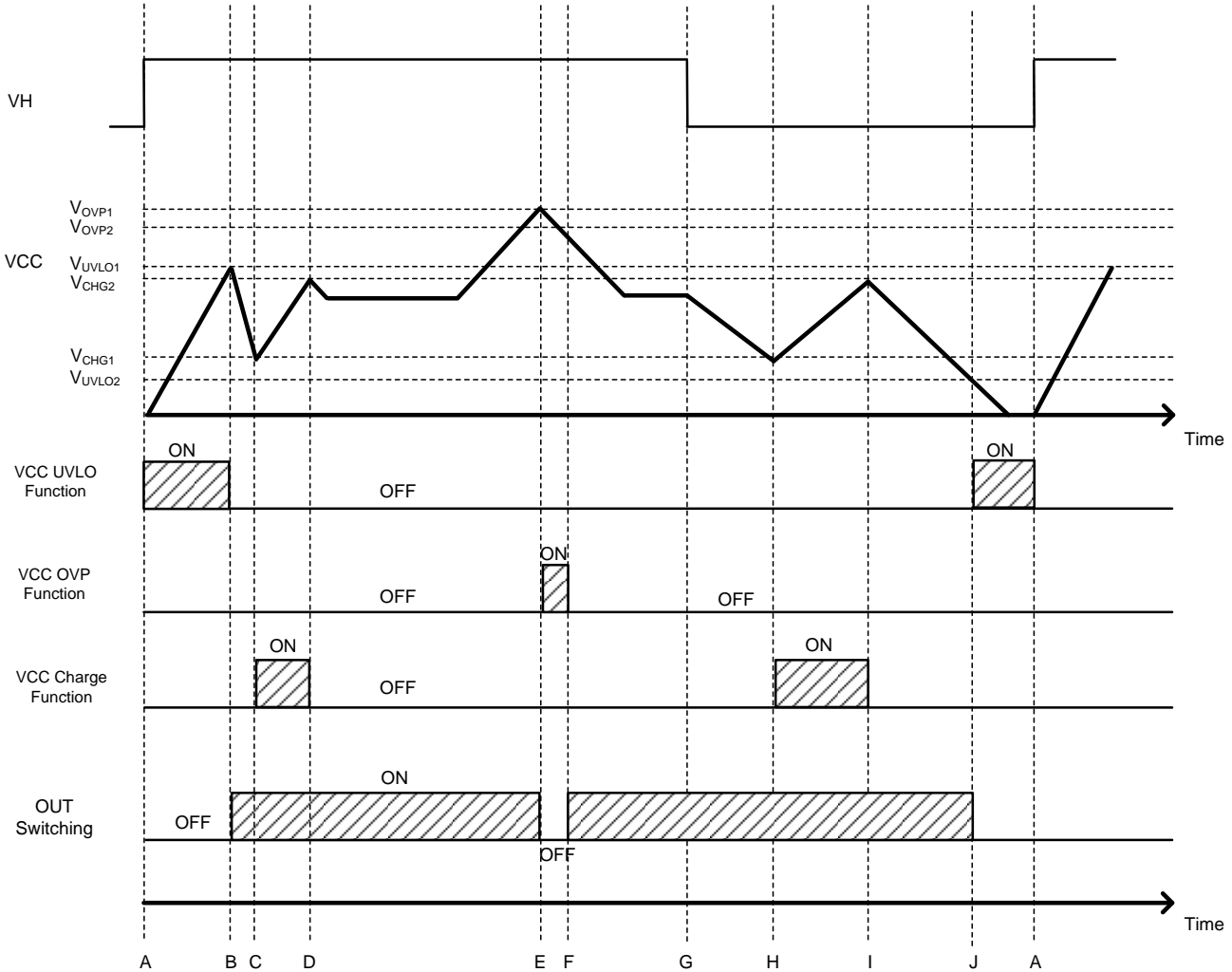


Figure 5. VCC UVLO / OVP Timing Chart

- A: DRAIN voltage inputs, the VCC pin voltage starts rising.
- B: $V_{CC} > V_{UVLO1}$, VCC UVLO function is released and DC/DC operation starts.
- C: $V_{CC} < V_{CHG1}$, VCC charge function operates and the VCC voltage rises.
- D: $V_{CC} > V_{CHG2}$, VCC charge function stops.
- E: $V_{CC} > V_{OVP1}$, t_{LATCH} (100 μ s Typ) continues, switching is stopped by the VCC OVP function.
- F: $V_{CC} < V_{OVP2}$, DC/DC operation restarts.
- G: V_H is OPEN. VCC Voltage falls.
- H: Same as C.
- I: Same as D.
- J: $V_{CC} < V_{UVLO2}$, VCC UVLO function is detected and DC/DC operation stops.

3. VCC Pin Protection Function – continued

(2) VCC Charge Function

These ICs have the recharge function.

IC starts when the VCC pin voltage $>V_{UVLO1}$. When VCC voltage becomes $VCC < V_{CHG1}$ after IC started, VCC recharge function works. At that time the VCC pin is charged from the DRAIN pin through the start circuit.

Through this operation, these series prevent failure of VCC startup.

When the VCC pin voltage rises until $VCC > V_{CHG2}$, it finishes recharge. The operation is shown in Figure 6.

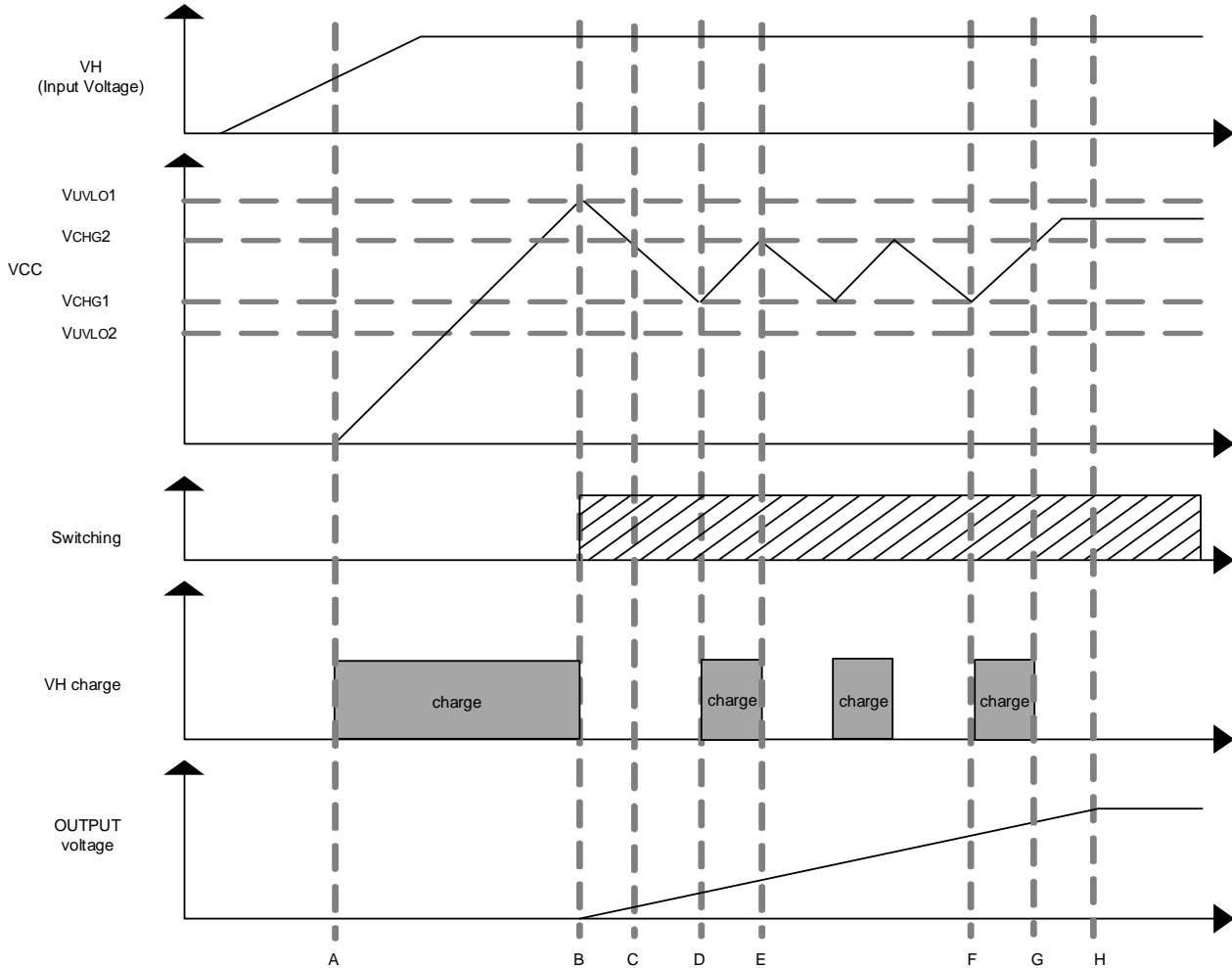


Figure 6. VCC Pin Charge Operation

- A: The DRAIN pin voltage rises, charges the VCC pin through the VCC charge function.
- B: $VCC > V_{UVLO1}$, VCC UVLO function releases, VCC charge function stops, DC/DC operation starts.
- C: Because output voltage is low, the VCC voltage drops at the start time.
- D: $VCC < V_{CHG1}$, VCC recharge function operates, and the VCC pin voltage rise.
- E: $VCC > V_{CHG2}$, VCC recharge function stops.
- F: $VCC < V_{CHG1}$, VCC recharge function operates, and the VCC pin voltage rise.
- G: $VCC > V_{CHG2}$, VCC recharge function stops.
- H: After the output voltage is finished rising, VCC is charged by the auxiliary winding, and the VCC pin stabilizes.

Description of Blocks – continued

4. DC/DC Driver

These ICs have a current mode PWM control.

An internal oscillator sets a fixed switching frequency (65 kHz Typ).

It has a switching frequency hopping function, which causes the switching frequency to fluctuate as shown in Figure 7 below.

The fluctuation cycle is 125 Hz.(Typ)

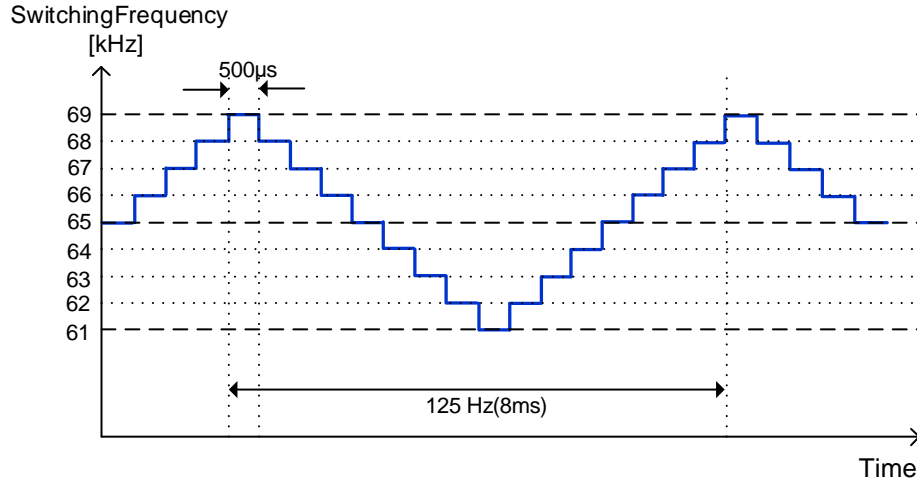


Figure 7. Frequency Hopping Function

Maximum duty cycle is fixed at 75 % and minimum ON time is fixed at 400 ns.

In current mode control, sub-harmonic oscillation may occur when the duty cycle exceeds 50 %.

As a countermeasure, this IC has built-in slope compensation circuits.

These ICs have built-in burst mode and frequency reduction circuits to achieve lower power consumption when the load is light.

The FB pin is pulled up to an internal power supply by R_{FB} .

The FB pin voltage is changed by secondary output voltage (secondary load power).

Monitor the FB pin voltage and change a switching operation state.

Figure 8 shows the FB voltage, and the DC/DC switching frequency operation.

mode1: Burst operation.

mode2: Frequency reduction operation. (max frequency is reduced)

mode3: Fixed frequency operation. (operates at max frequency)

mode4: Overload operation. (stops the pulse operation, sampling operation)

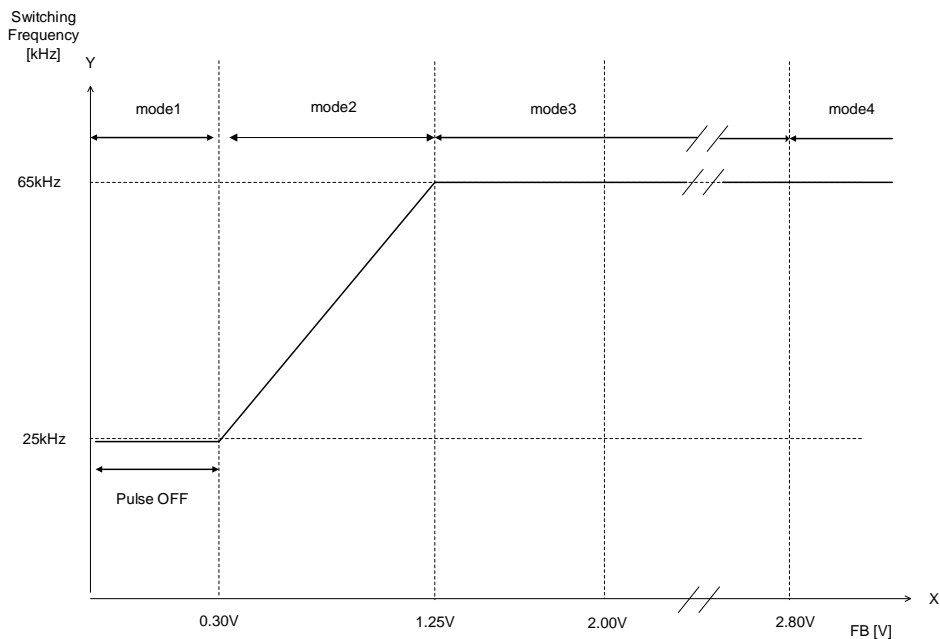


Figure 8. Switching Operation State Changes by FB Pin Voltage

4. DC/DC Driver – continued

(1) Burst Frequency Setting

The frequency can be fixed by adding capacitance to the FADJ pin. This can reduce the burst sounds.
 The characteristics of the capacitor C_{FADJ} connected to the FADJ pin and frequency f_{BST} is shown in the Figure 10.

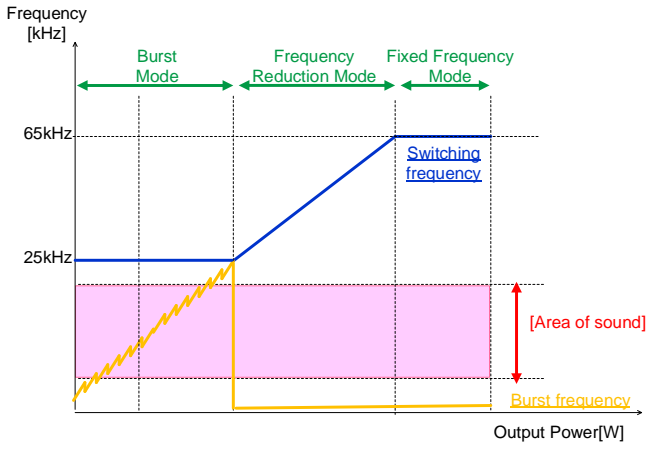


Figure 9-1. No setting

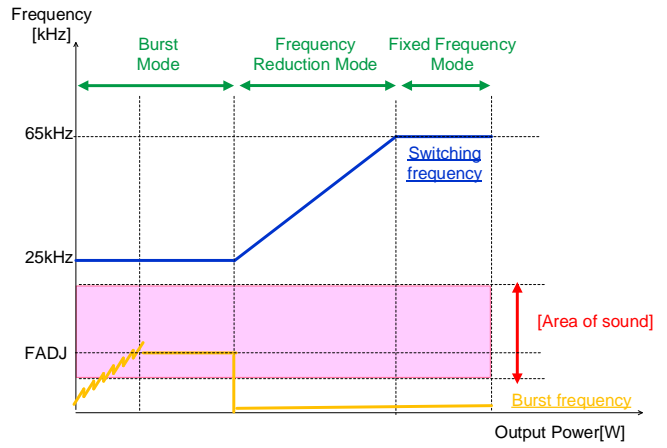


Figure 9-2. setting

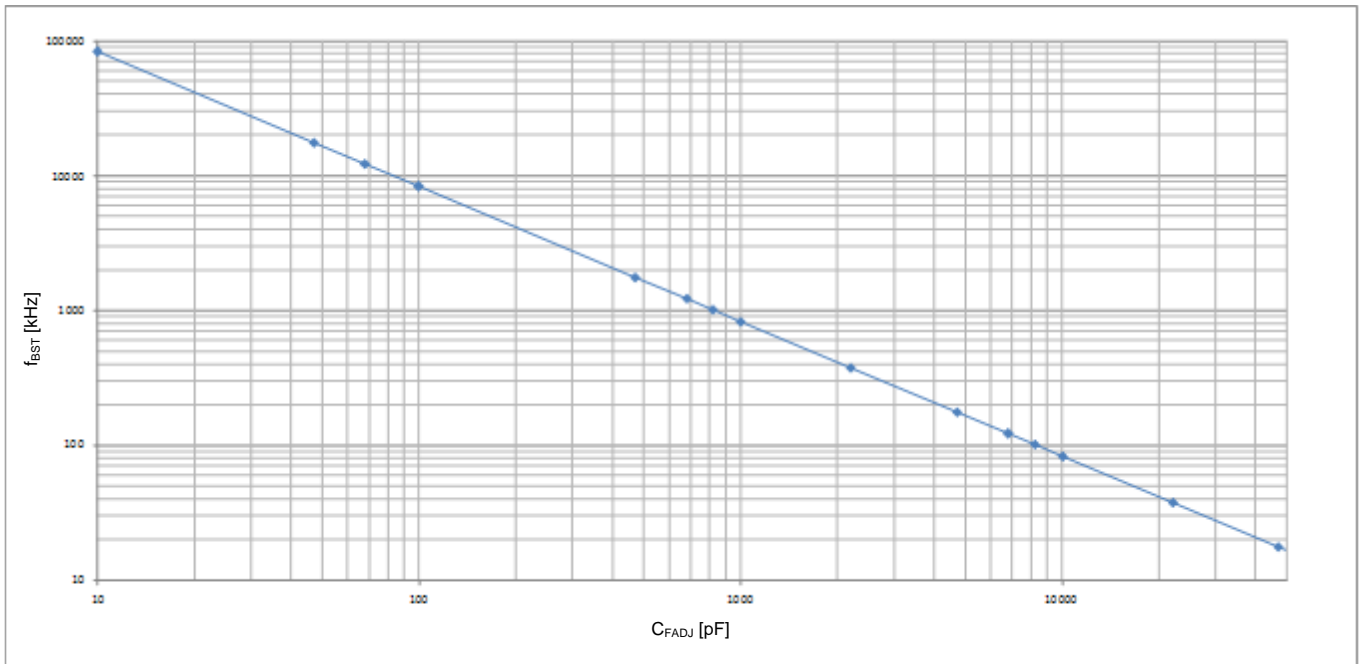


Figure 10. f_{BST} vs C_{FADJ}

Description of Blocks – continued

5. Over Current Limiter

These ICs have a built-in over current limiter per switching cycle.

If the SOURCE pin exceeds a certain voltage, switching stops. It also has a built-in AC voltage compensation function. This function is a compensation function to increase the over current limiter level by AC voltage compensation function time.

Shown in Figure11,12,13.

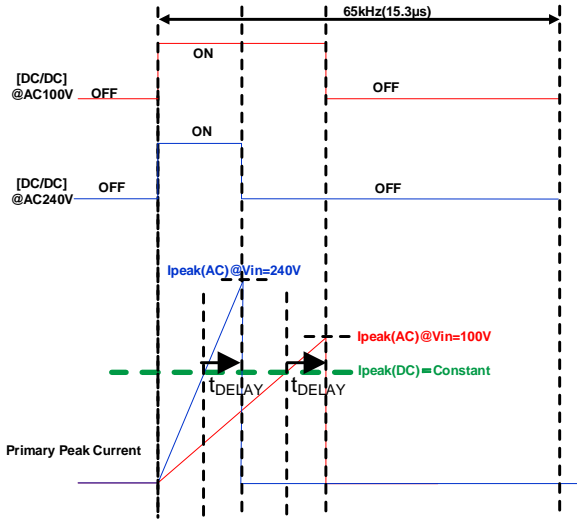


Figure 11. No AC Voltage Compensation Function

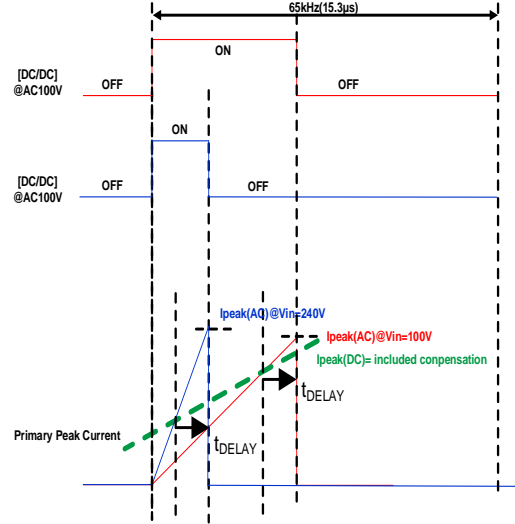


Figure 12. Built-in AC Compensation Voltage

Primary peak current is calculated using the formula below.

$$I_{peak} = \frac{V_{SOURCE}}{R_s} + \frac{V_{dc}}{L_p} \times t_{delay}$$

Where:

V_{SOURCE} is the over current limiter voltage (internal).

R_s is the current detection resistance.

V_{dc} is the input DC voltage.

L_p is the primary inductance.

t_{delay} is the delay time after detection of over current limiter.

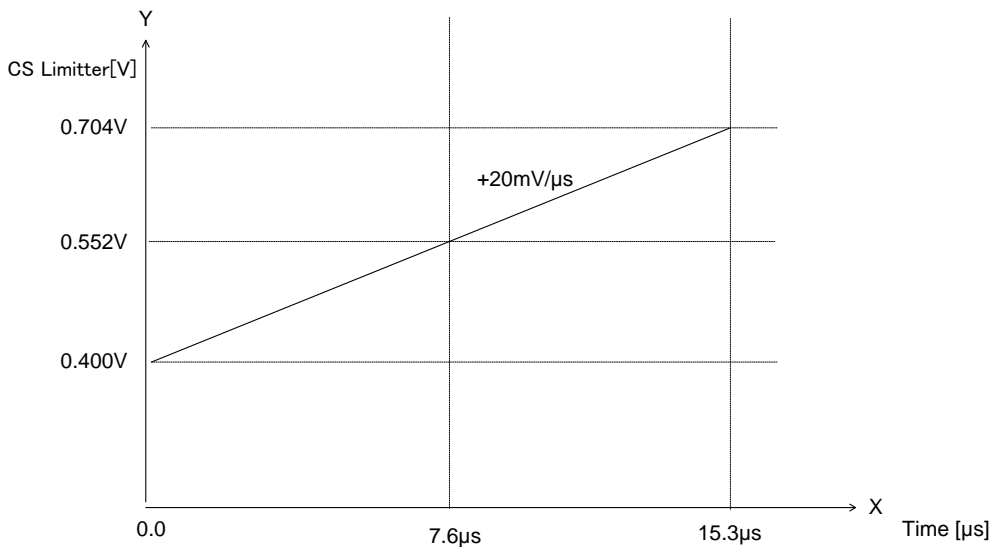


Figure 13. Over Current Limiter Voltage

Description of Blocks – continued

6. L. E. B. Blanking Period

When the MOSFET driver is turned ON, surge current flows through each capacitor component and drive current is generated. Therefore, when the SOURCE pin voltage rises temporarily, detection errors may occur in the over current limiter circuit. To prevent detection errors, DRAIN is switched from high to low and the SOURCE signal is masked for 250 ns by the on-chip LEB (Leading Edge Blanking) function.

7. SOURCE Pin Short Protection Function

When the SOURCE pin is shorted, excessive heat may destroy the IC.
To prevent it from being damaged, these ICs have a built-in short protection function.

8. SOURCE Pin Open Protection

When the SOURCE pin becomes OPEN, excessive heat by noise may destroy the IC.
To prevent it from being damaged, these ICs have a built-in OPEN protection circuit (auto recovery protection).

9. Output Over Load Protection Function (FB OLP Comparator)

The output overload protection function monitors the secondary output load status at the FB pin and stops switching whenever overload occurs. When there is an overload, the output voltage is reduced and current no longer flows to the photo coupler, so the FB pin voltage rises.

When the FB pin voltage $>V_{FOLP1A}$ continuously for the period t_{FOLP1} , it is judged as an overload and switching stops.

When the FB pin $>V_{FOLP1A}$, the voltage goes lower than V_{FOLP1B} during the period t_{FOLP1} , the overload protection timer is reset. The switching operation is performed during this period t_{FOLP1} .

At startup, the FB voltage is pulled up to the IC's internal voltage, so operation starts at a voltage of V_{FOLP1A} or above.

Therefore, at startup please set startup time within t_{FOLP1} so that the FB voltage becomes V_{FOLP1B} or less.

Recovery is after the period t_{FOLP2} , from the detection of FBOLP.

Absolute Maximum Ratings (Ta=25 °C)

Parameter	Symbol	Rating	Unit	Conditions
Maximum Applied Voltage 1	V_{MAX1}	-0.3 to +32.0	V	VCC
Maximum Applied Voltage 2	V_{MAX2}	-0.3 to +6.5	V	SOURCE, FB, FADJ
Maximum Applied Voltage 3	V_{MAX3}	650	V	DRAIN
		730	V	DRAIN(tpulse < 10 μ s) (Note 1)
Drain Current Pulse	I_{DP}	12	A	$P_w=10 \mu$ s, Duty cycle=1 % (BM2P0161-Z)
Drain Current Pulse	I_{DP}	4	A	$P_w=10 \mu$ s, Duty cycle=1 % (BM2P0361-Z)
Power Dissipation	P_d	1.00	W	(Note 2)
Maximum Junction Temperature	T_{jmax}	150	°C	
Storage Temperature Range	T_{stg}	-55 to +150	°C	

Caution 1: Operating the IC over the absolute maximum ratings may damage the IC. The damage can either be a short circuit between pins or an open circuit between pins and the internal circuitry. Therefore, it is important to consider circuit protection measures, such as adding a fuse, in case the IC is operated over the absolute maximum ratings.

Caution 2: Should by any chance the maximum junction temperature rating be exceeded the rise in temperature of the chip may result in deterioration of the properties of the chip. In case of exceeding this absolute maximum rating, design a PCB boards with power dissipation taken into consideration by increasing board size and copper area so as not to exceed the maximum junction temperature rating.

(Note 1) Duty is less than 1 %.

(Note 2) When mounted (on 74.2 mm x 74.2 mm, 1.6 mm thick, glass epoxy on single-layer substrate). Reduce to 8 mW/°C when Ta=25 °C or above.

Thermal Loss

The thermal design should set operation for the following conditions.

1. The ambient temperature T_a must be 105 °C or less.
2. The IC's loss must be within the power dissipation P_d .

The thermal abatement characteristics are as follows.

(PCB: 74.2 mm x 74.2mm x 1.6 mm, mounted on glass epoxy on single-layer substrate)

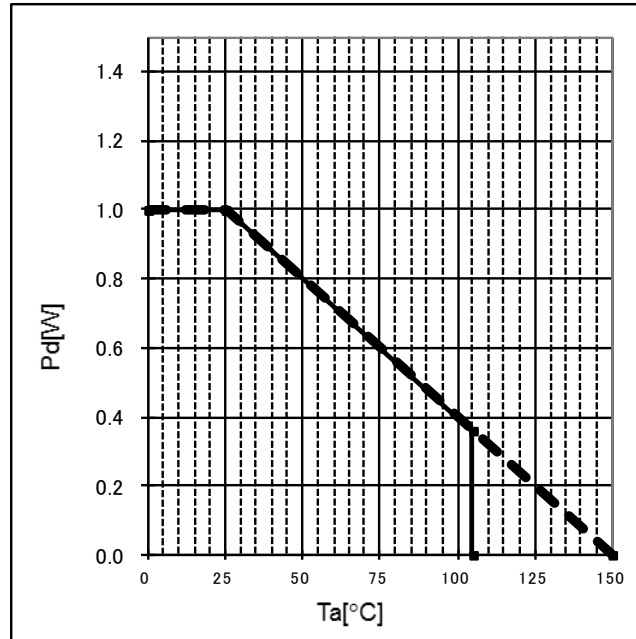


Figure 14. DIP7K Thermal Abatement Characteristics

Recommended Operating Conditions

Parameter	Symbol	Rating			Unit	Conditions
		Min	Typ	Max		
Power Supply Voltage Range 1	VCC	8.9	-	26.0	V	VCC pin voltage
Power Supply Voltage Range 2	V_{DRAIN}	-	-	650	V	DRAIN pin voltage
		-	-	730	V	DRAIN($t_{pulse} < 10 \mu s$) (Note 1)
Operating Temperature	T_{opr}	-40	-	+105	°C	

(Note 1) Duty is less than 1 %

Electrical Characteristics (unless otherwise noted, $T_a=25\text{ °C}$, $V_{CC}=15\text{ V}$)

Parameter	Symbol	Rating			Unit	Conditions
		Min	Typ	Max		
[MOSFET Block]						
Between Drain and Source Voltage	$V_{(BR)DDS}$	650	-	-	V	$I_D=1\text{ mA} / V_{GS}=0\text{ V}$
		730	-	-	V	$I_D=1\text{ mA}, V_{GS}=0\text{ V}$ $t_{pulse} < 10\ \mu s$
Drain Leak Current	I_{DSS}	-	-	100	μA	$V_{DS}=650\text{ V} / V_{GS}=0\text{ V}$
On Resistance	$R_{DS(ON)}$	-	1.0	1.4	Ω	$I_D=0.25\text{ A} / V_{GS}=10\text{ V}$ (BM2P0161-Z)
On Resistance	$R_{DS(ON)}$	-	3.0	3.6	Ω	$I_D=0.25\text{ A} / V_{GS}=10\text{ V}$ (BM2P0361-Z)

Electrical Characteristics – continued

Parameter	Symbol	Specifications			Unit	Conditions
		Min	Typ	Max		
[Circuit Current]						
Circuit Current (ON) 1	I _{ON1}	-	900	1450	μA	V _{FB} =2.0 V (at pulse operation) (BM2P0161-Z)
Circuit Current (ON) 1	I _{ON1}	-	650	1050	μA	V _{FB} =2.0 V (at pulse operation) (BM2P0361-Z)
Circuit Current (ON) 2	I _{ON2}	150	300	450	μA	V _{FB} =0.3 V
[VCC Protection Function]						
VCC UVLO Voltage 1	V _{UVLO1}	12.50	13.50	14.50	V	VCC rise
VCC UVLO Voltage 2	V _{UVLO2}	7.50	8.20	8.90	V	VCC fall
VCC UVLO Hysteresis	V _{UVLO3}	-	5.30	-	V	V _{UVLO3} =V _{UVLO1} -V _{UVLO2}
VCC OVP Voltage 1	V _{OVP1}	26.0	27.5	29.0	V	VCC rise
VCC OVP Voltage 2	V _{OVP2}	22.0	23.5	25.0	V	VCC fall
VCC OVP Hysteresis	V _{OVP3}	-	4.0	-	V	V _{OVP3} =V _{OVP1} -V _{OVP2}
VCC Recharge Start Voltage	V _{CHG1}	7.70	8.70	9.70	V	
VCC Recharge Stop Voltage	V _{CHG2}	12.00	13.00	14.00	V	
Latch Mask Time	t _{LATCH}	50	100	150	μs	
Thermal Shutdown Temperature 1	T _{SD1}	120	145	170	°C	Control IC, temperature rise
Thermal Shutdown Temperature 2	T _{SD2}	90	115	140	°C	Control IC, temperature fall
[PWM Type DC/DC Driver Block]						
Oscillation Frequency 1	f _{SW1}	60	65	70	kHz	V _{FB} =2.00 V
Oscillation Frequency 2	f _{SW2}	20	25	30	kHz	V _{FB} =0.30 V
Frequency Hopping Width 1	f _{DEL1}	-	4.0	-	kHz	V _{FB} =2.0 V
Hopping Fluctuation Frequency	f _{CH}	75	125	175	Hz	
FADJ Source Current	I _{BST}	0.80	1.00	1.20	μA	FADJ=0.0 V
FADJ Comparator Voltage	V _{BST}	1.13	1.20	1.27	V	
FADJ Max Burst Frequency	f _{BST}	-	0.833	-	kHz	C _{FADJ} =1000 pF
Soft Start Time 1	t _{SS1}	0.30	0.50	0.70	ms	
Soft Start Time 2	t _{SS2}	0.60	1.00	1.40	ms	
Soft Start Time 3	t _{SS3}	1.20	2.00	2.80	ms	
Soft Start Time 4	t _{SS4}	4.80	8.00	11.20	ms	
Maximum Duty	D _{MAX}	68.0	75.0	82.0	%	
Minimum ON Time	t _{MIN}	150	400	650	ns	
FB Pin Pull-Up Resistance	R _{FB}	23	30	37	kΩ	
ΔFB / ΔSOURCE Gain	Gain	3.00	4.00	7.00	V/V	
FB Burst Voltage 1	V _{BST1}	0.220	0.280	0.340	V	FB fall
FB Burst Voltage 2	V _{BST2}	0.260	0.320	0.380	V	FB rise
FB Burst Hysteresis	V _{BST3}	-	0.040	-	V	V _{BST3} =V _{BST2} -V _{BST1}
FB Voltage of Starting Frequency Reduction	V _{DLT}	1.100	1.250	1.400	V	
FB OLP Voltage 1a	V _{FOLP1A}	2.60	2.80	3.00	V	Overload is detected (FB rise)
FB OLP Voltage 1b	V _{FOLP1B}	2.40	2.60	2.80	V	Overload is detected (FB fall)
FB OLP ON Detect Timer	t _{FOLP1}	80	128	176	ms	
FB OLP OFF Timer	t _{FOLP2}	332	512	692	ms	

Electrical Characteristics – continued

Parameter	Symbol	Specifications			Unit	Conditions
		Min	Typ	Max		
[Over Current Detection Block]						
Over-Current Detection Voltage	V _{SOURCE}	0.375	0.400	0.425	V	t _{ON} =0 μs
Over-Current Detection Voltage SS1	V _{SOURCE_SS1}	0.050	0.100	0.150	V	0 ms to t _{SS1} ms
Over-Current Detection Voltage SS2	V _{SOURCE_SS2}	0.080	0.150	0.220	V	t _{SS1} ms to t _{SS2} ms
Over-Current Detection Voltage SS3	V _{SOURCE_SS3}	0.130	0.200	0.270	V	t _{SS2} ms to t _{SS3} ms
Over-Current Detection Voltage SS4	V _{SOURCE_SS4}	0.230	0.300	0.370	V	t _{SS3} ms to t _{SS4} ms
Leading Edge Blanking Time	t _{LEB}	120	250	380	ns	(Note 2)
Over Current Detection AC Voltage Compensation Factor	K _{SOURCE}	12	20	28	mV/μs	
SOURCE Pin Short Protection Voltage	V _{SOURCESHT}	0.020	0.050	0.080	V	
SOURCE Pin Short Protection Time	t _{SOURCESHT}	1.80	3.00	4.20	μs	
[Circuit Current]						
Start Current 1	I _{START1}	0.100	0.500	1.000	mA	VCC=0 V
Start Current 2	I _{START2}	1.000	3.000	6.000	mA	VCC=10 V
OFF Current	I _{START3}	-	10	20	μA	Inflow current from the DRAIN pin after UVLO is released and when MOSFET is OFF
Start Current Switching Voltage	V _{SC}	0.800	1.500	2.100	V	

(Note 2) Not 100 % tested.

Application Examples

Show a flyback circuitry example in Figure 15.
 Be careful with the DRAIN voltage because high voltage is produced by ringing in turn OFF.
 With this IC, It become able to work to 730V.

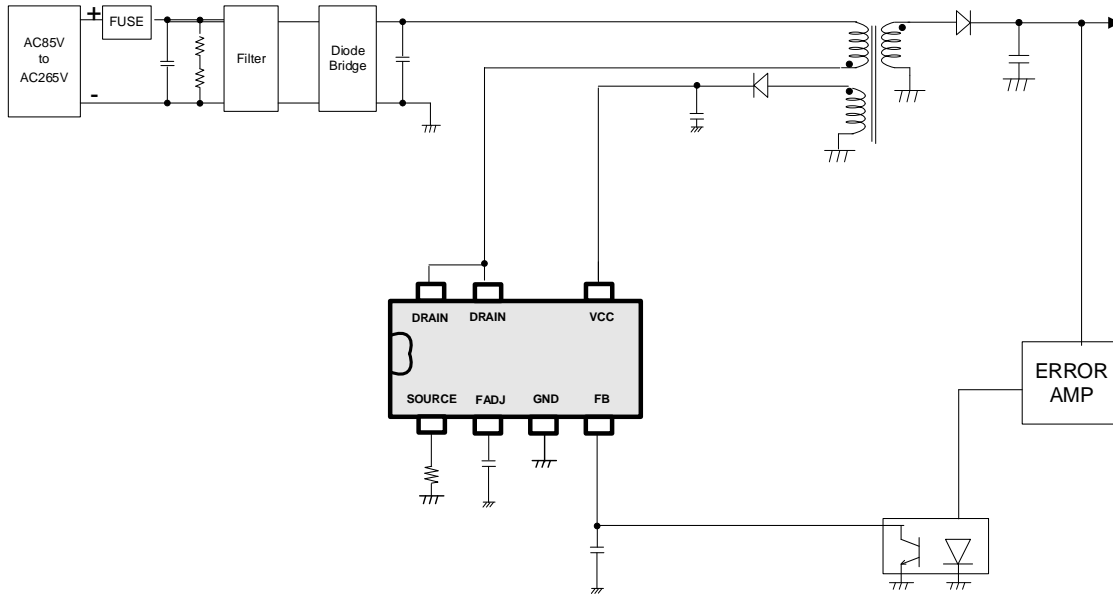


Figure 15. Flyback Application Ciucit

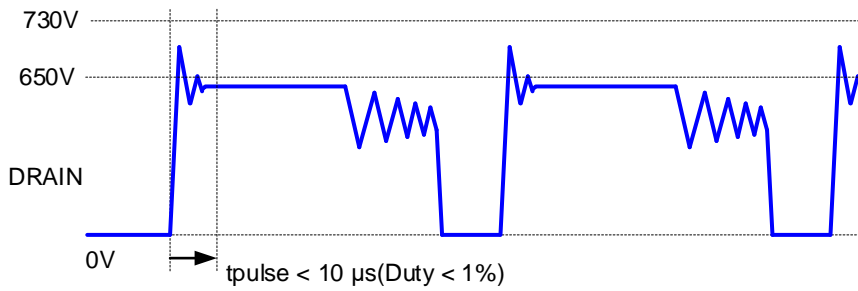


Figure 16. Drain Pin Ringing Waveform

I/O Equivalence Circuit

1	SOURCE	2	FADJ	3	GND	4	FB
5	VCC	-	-	6	DRAIN	7	DRAIN
		-					

Operational Notes

1. Reverse Connection of Power Supply

Connecting the power supply in reverse polarity can damage the IC. Take precautions against reverse polarity when connecting the power supply, such as mounting an external diode between the power supply and the IC's power supply pins.

2. Power Supply Lines

Design the PCB layout pattern to provide low impedance supply lines. Separate the ground and supply lines of the digital and analog blocks to prevent noise in the ground and supply lines of the digital block from affecting the analog block. Furthermore, connect a capacitor to ground at all power supply pins. Consider the effect of temperature and aging on the capacitance value when using electrolytic capacitors.

3. Ground Voltage

Ensure that no pins are at a voltage below that of the ground pin at any time, even during transient condition.

4. Ground Wiring Pattern

When using both small-signal and large-current ground traces, the two ground traces should be routed separately but connected to a single ground at the reference point of the application board to avoid fluctuations in the small-signal ground caused by large currents. Also ensure that the ground traces of external components do not cause variations on the ground voltage. The ground lines must be as short and thick as possible to reduce line impedance.

5. Recommended Operating Conditions

The function and operation of the IC are guaranteed within the range specified by the recommended operating conditions. The characteristic values are guaranteed only under the conditions of each item specified by the electrical characteristics.

6. Inrush Current

When power is first supplied to the IC, it is possible that the internal logic may be unstable and inrush current may flow instantaneously due to the internal powering sequence and delays, especially if the IC has more than one power supply. Therefore, give special consideration to power coupling capacitance, power wiring, width of ground wiring, and routing of connections.

7. Operation Under Strong Electromagnetic Field

Operating the IC in the presence of a strong electromagnetic field may cause the IC to malfunction.

8. Testing on Application Boards

When testing the IC on an application board, connecting a capacitor directly to a low-impedance output pin may subject the IC to stress. Always discharge capacitors completely after each process or step. The IC's power supply should always be turned off completely before connecting or removing it from the test setup during the inspection process. To prevent damage from static discharge, ground the IC during assembly and use similar precautions during transport and storage.

9. Inter-pin Short and Mounting Errors

Ensure that the direction and position are correct when mounting the IC on the PCB. Incorrect mounting may result in damaging the IC. Avoid nearby pins being shorted to each other especially to ground, power supply and output pin. Inter-pin shorts could be due to many reasons such as metal particles, water droplets (in very humid environment) and unintentional solder bridge deposited in between pins during assembly to name a few.

10. Unused Input Pins

Input pins of an IC are often connected to the gate of a MOS transistor. The gate has extremely high impedance and extremely low capacitance. If left unconnected, the electric field from the outside can easily charge it. The small charge acquired in this way is enough to produce a significant effect on the conduction through the transistor and cause unexpected operation of the IC. So unless otherwise specified, unused input pins should be connected to the power supply or ground line.

Operational Notes – continued

11. Regarding the Input Pin of the IC

This monolithic IC contains P+ isolation and P substrate layers between adjacent elements in order to keep them isolated. P-N junctions are formed at the intersection of the P layers with the N layers of other elements, creating a parasitic diode or transistor. For example (refer to figure below):

When GND > Pin A and GND > Pin B, the P-N junction operates as a parasitic diode.
 When GND > Pin B, the P-N junction operates as a parasitic transistor.

Parasitic diodes inevitably occur in the structure of the IC. The operation of parasitic diodes can result in mutual interference among circuits, operational faults, or physical damage. Therefore, conditions that cause these diodes to operate, such as applying a voltage lower than the GND voltage to an input pin (and thus to the P substrate) should be avoided.

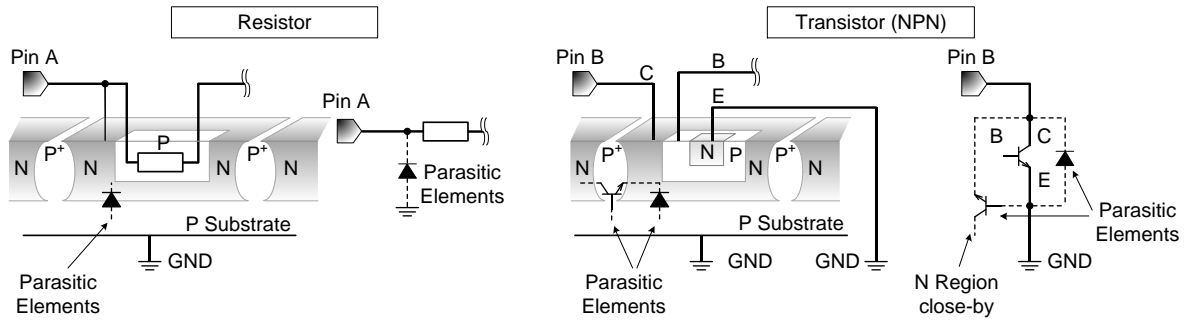


Figure 16. Example of monolithic IC structure

12. Ceramic Capacitor

When using a ceramic capacitor, determine a capacitance value considering the change of capacitance with temperature and the decrease in nominal capacitance due to DC bias and others.

13. Area of Safe Operation (ASO)

Operate the IC such that the output voltage, output current, and the maximum junction temperature rating are all within the Area of Safe Operation (ASO).

14. Thermal Shutdown Circuit (TSD)

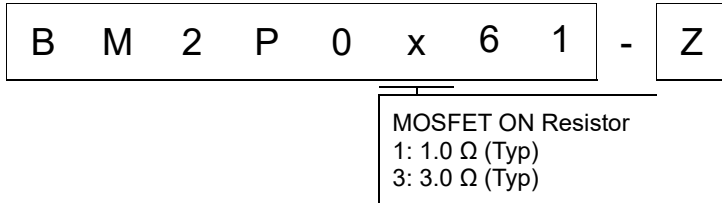
This IC has a built-in thermal shutdown circuit that prevents heat damage to the IC. Normal operation should always be within the IC's maximum junction temperature rating. If however the rating is exceeded for a continued period, the junction temperature (Tj) will rise which will activate the TSD circuit that will turn OFF power output pins. When the Tj falls below the TSD threshold, the circuits are automatically restored to normal operation.

Note that the TSD circuit operates in a situation that exceeds the absolute maximum ratings and therefore, under no circumstances, should the TSD circuit be used in a set design or for any purpose other than protecting the IC from heat damage.

15. Over Current Protection Circuit (OCP)

This IC incorporates an integrated overcurrent protection circuit that is activated when the load is shorted. This protection circuit is effective in preventing damage due to sudden and unexpected incidents. However, the IC should not be used in applications characterized by continuous operation or transitioning of the protection circuit.

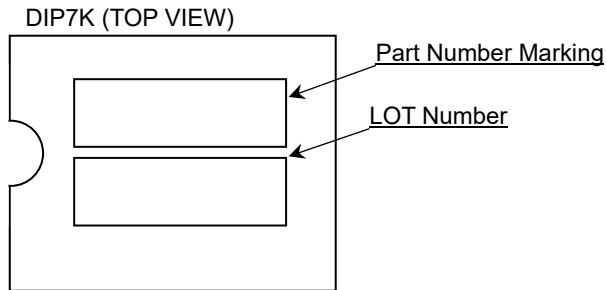
Ordering Information



Lineup

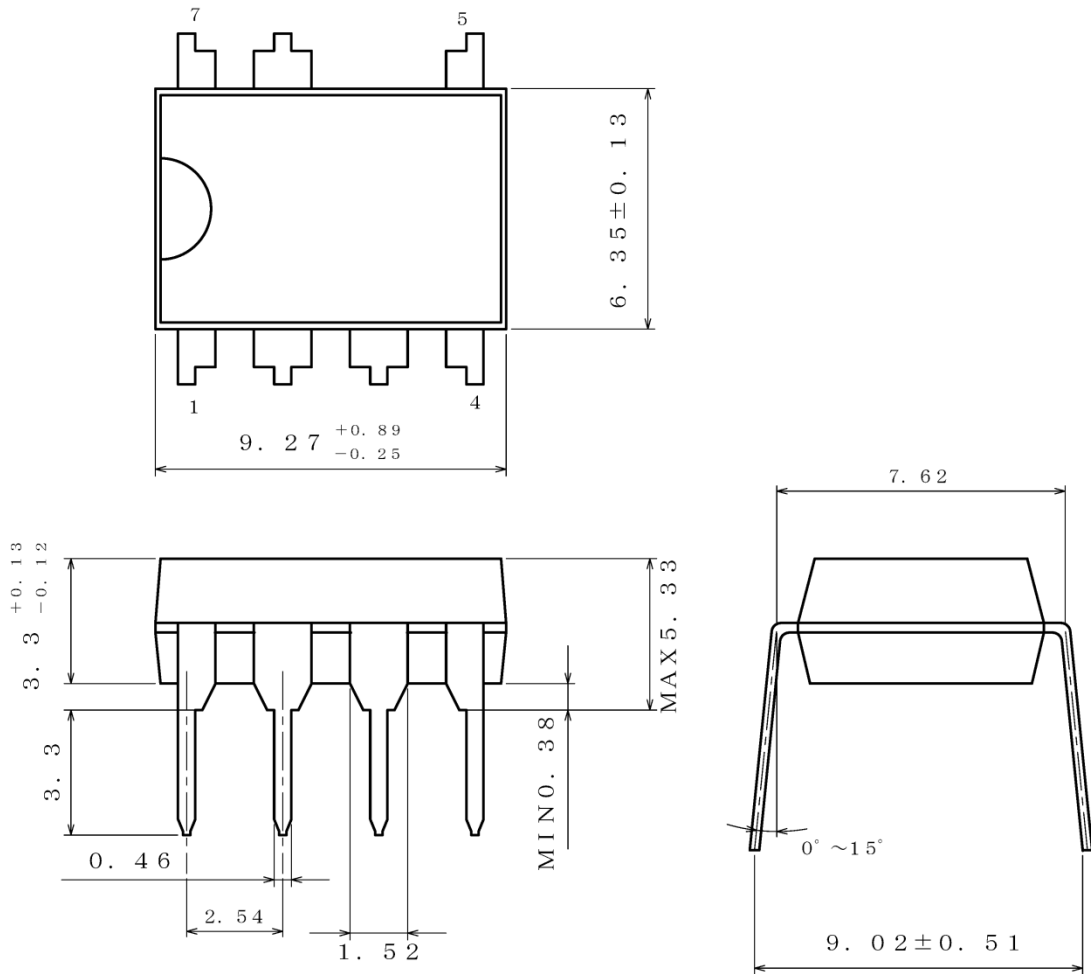
Orderable Part Number	MOSFET ON Resistor	MOSFET Withstand Voltage (V)	Package	Part Number Marking
BM2P0161-Z	1.0 Ω (Typ)	730	DIP7AK	BM2P0161
BM2P0361-Z	3.0 Ω (Typ)			BM2P0361

Making Diagram



Physical Dimension and Packing Information

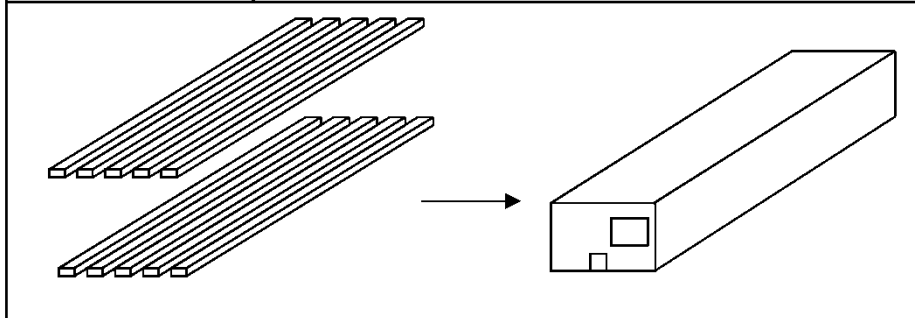
Package Name	DIP7K
--------------	-------



(UNIT : mm)
 PKG : DIP7K
 Drawing No. EX001-0076

< Container Information >

Container	Tube
Quantity	2000pcs
Direction of feed	Packing orientation is same in tube



Revision History

Date	Revision	Changes
15.May.2018	001	New Release
20.Mar.2019	002	P1 Modify the size of package
13.Dec.2019	003	Revise Japanese datasheet
05.Jun.2020	004	Modify P14 Figure15
07.Dec.2020	005	P11 Change the Absolute Maximum Ratings P15 Addition of the Application Circuit

Notice

Precaution on using ROHM Products

- Our Products are designed and manufactured for application in ordinary electronic equipment (such as AV equipment, OA equipment, telecommunication equipment, home electronic appliances, amusement equipment, etc.). If you intend to use our Products in devices requiring extremely high reliability (such as medical equipment ^(Note 1), transport equipment, traffic equipment, aircraft/spacecraft, nuclear power controllers, fuel controllers, car equipment including car accessories, safety devices, etc.) and whose malfunction or failure may cause loss of human life, bodily injury or serious damage to property ("Specific Applications"), please consult with the ROHM sales representative in advance. Unless otherwise agreed in writing by ROHM in advance, ROHM shall not be in any way responsible or liable for any damages, expenses or losses incurred by you or third parties arising from the use of any ROHM's Products for Specific Applications.

(Note1) Medical Equipment Classification of the Specific Applications

JAPAN	USA	EU	CHINA
CLASS III	CLASS III	CLASS II b	CLASS III
CLASS IV		CLASS III	

- ROHM designs and manufactures its Products subject to strict quality control system. However, semiconductor products can fail or malfunction at a certain rate. Please be sure to implement, at your own responsibilities, adequate safety measures including but not limited to fail-safe design against the physical injury, damage to any property, which a failure or malfunction of our Products may cause. The following are examples of safety measures:
 - Installation of protection circuits or other protective devices to improve system safety
 - Installation of redundant circuits to reduce the impact of single or multiple circuit failure
- Our Products are designed and manufactured for use under standard conditions and not under any special or extraordinary environments or conditions, as exemplified below. Accordingly, ROHM shall not be in any way responsible or liable for any damages, expenses or losses arising from the use of any ROHM's Products under any special or extraordinary environments or conditions. If you intend to use our Products under any special or extraordinary environments or conditions (as exemplified below), your independent verification and confirmation of product performance, reliability, etc. prior to use, must be necessary:
 - Use of our Products in any types of liquid, including water, oils, chemicals, and organic solvents
 - Use of our Products outdoors or in places where the Products are exposed to direct sunlight or dust
 - Use of our Products in places where the Products are exposed to sea wind or corrosive gases, including Cl₂, H₂S, NH₃, SO₂, and NO₂
 - Use of our Products in places where the Products are exposed to static electricity or electromagnetic waves
 - Use of our Products in proximity to heat-producing components, plastic cords, or other flammable items
 - Sealing or coating our Products with resin or other coating materials
 - Use of our Products without cleaning residue of flux (Exclude cases where no-clean type fluxes is used. However, recommend sufficiently about the residue.) ; or Washing our Products by using water or water-soluble cleaning agents for cleaning residue after soldering
 - Use of the Products in places subject to dew condensation
- The Products are not subject to radiation-proof design.
- Please verify and confirm characteristics of the final or mounted products in using the Products.
- In particular, if a transient load (a large amount of load applied in a short period of time, such as pulse, is applied, confirmation of performance characteristics after on-board mounting is strongly recommended. Avoid applying power exceeding normal rated power; exceeding the power rating under steady-state loading condition may negatively affect product performance and reliability.
- De-rate Power Dissipation depending on ambient temperature. When used in sealed area, confirm that it is the use in the range that does not exceed the maximum junction temperature.
- Confirm that operation temperature is within the specified range described in the product specification.
- ROHM shall not be in any way responsible or liable for failure induced under deviant condition from what is defined in this document.

Precaution for Mounting / Circuit board design

- When a highly active halogenous (chlorine, bromine, etc.) flux is used, the residue of flux may negatively affect product performance and reliability.
- In principle, the reflow soldering method must be used on a surface-mount products, the flow soldering method must be used on a through hole mount products. If the flow soldering method is preferred on a surface-mount products, please consult with the ROHM representative in advance.

For details, please refer to ROHM Mounting specification

Precautions Regarding Application Examples and External Circuits

1. If change is made to the constant of an external circuit, please allow a sufficient margin considering variations of the characteristics of the Products and external components, including transient characteristics, as well as static characteristics.
2. You agree that application notes, reference designs, and associated data and information contained in this document are presented only as guidance for Products use. Therefore, in case you use such information, you are solely responsible for it and you must exercise your own independent verification and judgment in the use of such information contained in this document. ROHM shall not be in any way responsible or liable for any damages, expenses or losses incurred by you or third parties arising from the use of such information.

Precaution for Electrostatic

This Product is electrostatic sensitive product, which may be damaged due to electrostatic discharge. Please take proper caution in your manufacturing process and storage so that voltage exceeding the Products maximum rating will not be applied to Products. Please take special care under dry condition (e.g. Grounding of human body / equipment / solder iron, isolation from charged objects, setting of Ionizer, friction prevention and temperature / humidity control).

Precaution for Storage / Transportation

1. Product performance and soldered connections may deteriorate if the Products are stored in the places where:
 - [a] the Products are exposed to sea winds or corrosive gases, including Cl₂, H₂S, NH₃, SO₂, and NO₂
 - [b] the temperature or humidity exceeds those recommended by ROHM
 - [c] the Products are exposed to direct sunshine or condensation
 - [d] the Products are exposed to high Electrostatic
2. Even under ROHM recommended storage condition, solderability of products out of recommended storage time period may be degraded. It is strongly recommended to confirm solderability before using Products of which storage time is exceeding the recommended storage time period.
3. Store / transport cartons in the correct direction, which is indicated on a carton with a symbol. Otherwise bent leads may occur due to excessive stress applied when dropping of a carton.
4. Use Products within the specified time after opening a humidity barrier bag. Baking is required before using Products of which storage time is exceeding the recommended storage time period.

Precaution for Product Label

A two-dimensional barcode printed on ROHM Products label is for ROHM's internal use only.

Precaution for Disposition

When disposing Products please dispose them properly using an authorized industry waste company.

Precaution for Foreign Exchange and Foreign Trade act

Since concerned goods might be fallen under listed items of export control prescribed by Foreign exchange and Foreign trade act, please consult with ROHM in case of export.

Precaution Regarding Intellectual Property Rights

1. All information and data including but not limited to application example contained in this document is for reference only. ROHM does not warrant that foregoing information or data will not infringe any intellectual property rights or any other rights of any third party regarding such information or data.
2. ROHM shall not have any obligations where the claims, actions or demands arising from the combination of the Products with other articles such as components, circuits, systems or external equipment (including software).
3. No license, expressly or implied, is granted hereby under any intellectual property rights or other rights of ROHM or any third parties with respect to the Products or the information contained in this document. Provided, however, that ROHM will not assert its intellectual property rights or other rights against you or your customers to the extent necessary to manufacture or sell products containing the Products, subject to the terms and conditions herein.

Other Precaution

1. This document may not be reprinted or reproduced, in whole or in part, without prior written consent of ROHM.
2. The Products may not be disassembled, converted, modified, reproduced or otherwise changed without prior written consent of ROHM.
3. In no event shall you use in any way whatsoever the Products and the related technical information contained in the Products or this document for any military purposes, including but not limited to, the development of mass-destruction weapons.
4. The proper names of companies or products described in this document are trademarks or registered trademarks of ROHM, its affiliated companies or third parties.

General Precaution

1. Before you use our Products, you are requested to carefully read this document and fully understand its contents. ROHM shall not be in any way responsible or liable for failure, malfunction or accident arising from the use of any ROHM's Products against warning, caution or note contained in this document.
2. All information contained in this document is current as of the issuing date and subject to change without any prior notice. Before purchasing or using ROHM's Products, please confirm the latest information with a ROHM sales representative.
3. The information contained in this document is provided on an "as is" basis and ROHM does not warrant that all information contained in this document is accurate and/or error-free. ROHM shall not be in any way responsible or liable for any damages, expenses or losses incurred by you or third parties resulting from inaccuracy or errors of or concerning such information.

X-ON Electronics

Largest Supplier of Electrical and Electronic Components

Click to view similar products for [Switching Controllers](#) category:

Click to view products by [ROHM](#) manufacturer:

Other Similar products are found below :

[AZ7500EP-E1](#) [NCP1218AD65R2G](#) [NCP1234AD100R2G](#) [NCP1244BD065R2G](#) [NCP1336ADR2G](#) [NCP6153MNTWG](#) [NCP81101BMNTXG](#)
[NCP81205MNTXG](#) [SJE6600](#) [SMBV1061LT1G](#) [SG3845DM](#) [NCP4204MNTXG](#) [NCP6132AMNR2G](#) [NCP81102MNTXG](#)
[NCP81203MNTXG](#) [NCP81206MNTXG](#) [NX2155HCUPTR](#) [UBA2051C](#) [FSL4110LRLX](#) [MAX8778ETJ+](#) [NTBV30N20T4G](#)
[NCP1240AD065R2G](#) [NCP1240FD065R2G](#) [NCP1361BABAYSNT1G](#) [NTC6600NF](#) [NCP1230P100G](#) [NCP1612BDR2G](#) [NX2124CSTR](#)
[SG2845M](#) [NCP81101MNTXG](#) [TEA19362T/1J](#) [IFX81481ELV](#) [NCP81174NMNTXG](#) [NCP4308DMTTWG](#) [NCP4308DMNTWG](#)
[NCP4308AMTTWG](#) [NCP1251FSN65T1G](#) [NCP1246BLD065R2G](#) [NTE7154](#) [NTE7242](#) [LTC7852IUFD-1#PBF](#) [LTC7852EUFD-1#PBF](#)
[MB39A136PFT-G-BND-ERE1](#) [NCP1256BSN100T1G](#) [LV5768V-A-TLM-E](#) [NCP1365BABCYDR2G](#) [NCP1365AABCYDR2G](#) [MCP1633T-](#)
[E/MG](#) [NCV1397ADR2G](#) [NCP1246ALD065R2G](#)