



**With GaN HEMT,
Power Factor Correction 240 W 400 V
BM3G007MUV-EVK-002**

User's Guide

<High Voltage Safety Precautions>

◇ Read all safety precautions before use

Please note that this document covers only the **BM3G007MUV** evaluation board (BM3G007MUV-EVK-002) and its functions. For additional information, please refer to the datasheet.

To ensure safe operation, please carefully read all precautions before handling the evaluation board



Depending on the configuration of the board and voltages used,

Potentially lethal voltages may be generated.

Therefore, please make sure to read and observe all safety precautions described in the red box below.

Before Use

- [1] Verify that the parts/components are not damaged or missing (i.e. due to the drops).
- [2] Check that there are no conductive foreign objects on the board.
- [3] Be careful when performing soldering on the module and/or evaluation board to ensure that solder splash does not occur.
- [4] Check that there is no condensation or water droplets on the circuit board.

During Use

- [5] Be careful to not allow conductive objects to come into contact with the board.
- [6] **Brief accidental contact or even bringing your hand close to the board may result in discharge and lead to severe injury or death.**

Therefore, DO NOT touch the board with your bare hands or bring them too close to the board.

In addition, as mentioned above please exercise extreme caution when using conductive tools such as tweezers and screwdrivers.

- [7] If used under conditions beyond its rated voltage, it may cause defects such as short-circuit or, depending on the circumstances, explosion or other permanent damages.
- [8] Be sure to wear insulated gloves when handling is required during operation.

After Use

- [9] The ROHM Evaluation Board contains the circuits which store the high voltage. Since it stores the charges even after the connected power circuits are cut, please discharge the electricity after using it, and please deal with it after confirming such electric discharge.
- [10] Protect against electric shocks by wearing insulated gloves when handling.

This evaluation board is intended for use only in research and development facilities and should be handled **only by qualified personnel familiar with all safety and operating procedures.**

We recommend carrying out operation in a safe environment that includes the use of high voltage signage at all entrances, safety interlocks, and protective glasses.

PFC (power Factor Correction) IC

With GaN HEMT, Power Factor Correction 240 W 400 V BM3G007MUV Reference Board

BM3G007MUV-EVK-002

The BM3G007MUV-EVK-002 reference board outputs 400 V voltage from the input of 90 Vac to 264 Vac.

The output current supplies up to 0.6 A.

BM3G007MUV has a built-in GaN HEMT (650V 70 mΩ), driver and protection circuit.

By using this GaN Power Stage, we achieved a maximum efficiency of 97.8%.

The BD7695FJ which is BCM method PFC controller IC is used.

The BD7695FJ supplies the system which is suitable for all of products that requires PFC.

BCM is used for PFC part, and Zero Current Detection reduces both switching loss and noise.

THD is 8.4 % typical.

Electronics Characteristics

This is a typical value and not a guarantee of characteristics.

Unless otherwise noted; $V_{IN} = 230 \text{ Vac}$, $I_{OUT} = 0.6 \text{ A}$, $T_a = 25 \text{ }^\circ\text{C}$

Parameter		Min	Typ	Max	Units	Conditions
Input Voltage Range	V_{IN}	90	230	264	Vac	
Input Frequency	f_{LINE}	47	50/60	63	Hz	
Output Voltage	V_{OUT}	376	395	415	V	
Maximam Output Power	P_{OUT}	-	-	240	W	$I_{OUT} = 0.6 \text{ A}$
Output Current Range ^(Note 1)	I_{OUT}	0.0	-	0.6	A	
Total Harmonic Distortion(THD)	THD		8.4	-	%	
PF(Power Factor)	PF	0.93	0.97	-	-	AC230 V $I_{OUT} = 0.6 \text{ A}$
Efficiency	η	94	97.8	-	%	
Output Ripple Voltage ^(Note 2)	V_R	-	10.4	20	Vpp	AC90 V $I_{OUT} = 0.6 \text{ A}$
Hold Time	T_{HOLD}	20			ms	$V_{OUT} \text{ min } 280 \text{ V}$
Operating Temperature Range	T_{OP}	-10	+25	+55	$^\circ\text{C}$	

(Note 1) Cool the component surface temperature with FAN, etc., if necessary, and the load application time so that the temperature does not exceed 105 $^\circ\text{C}$.

(Note 2) Not include spike noise

Operation Procedure

1. Operation Equipment

1. AC power supply 90 to 264 Vac, over 1000 W
2. Electronic load capacity 0.6 A which supports input voltage 500 V
3. Multi meter
4. Power meter

2. Connect Method

1. AC power supply presetting range 90 to 264 Vac, Output switch is OFF.
2. Electronic load setting under 0.6 A, Load switch is OFF.
3. The reference board connects to measuring equipments and power supplies as in Figure. 1.
4. AC power supply switch is ON.
5. Check that output voltage is 400 V.
6. Electronic load switch is ON.
7. Operate with enough caution against electric shock because of non-isolated output voltage 400 V.

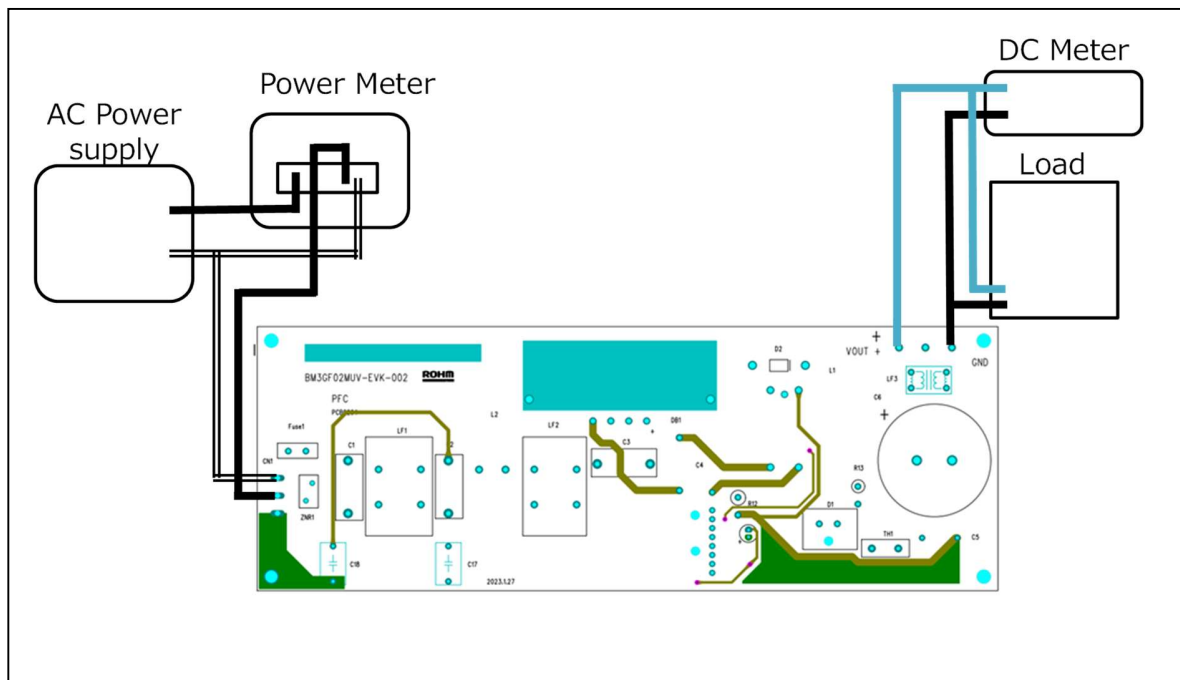


Figure 1. Connection Circuit

Derating

Maximum output power P_o of the reference board is 240 W. The derating curve is shown in Figure. 2.

If ambient temperature is over 25 °C, Consider the load current time and air-cool with FAN so that the component surface temperature does not exceed 105 °C.

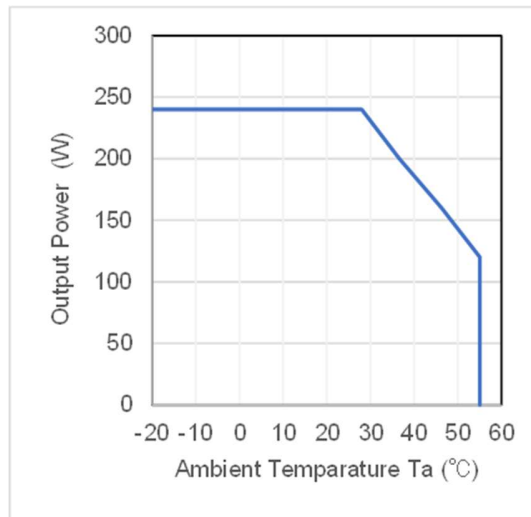


Figure 2. Temperature derating curve

Schematics

$V_{IN} = 90 \text{ to } 264 \text{ Vac}$, $V_{OUT} = 400 \text{ V}$

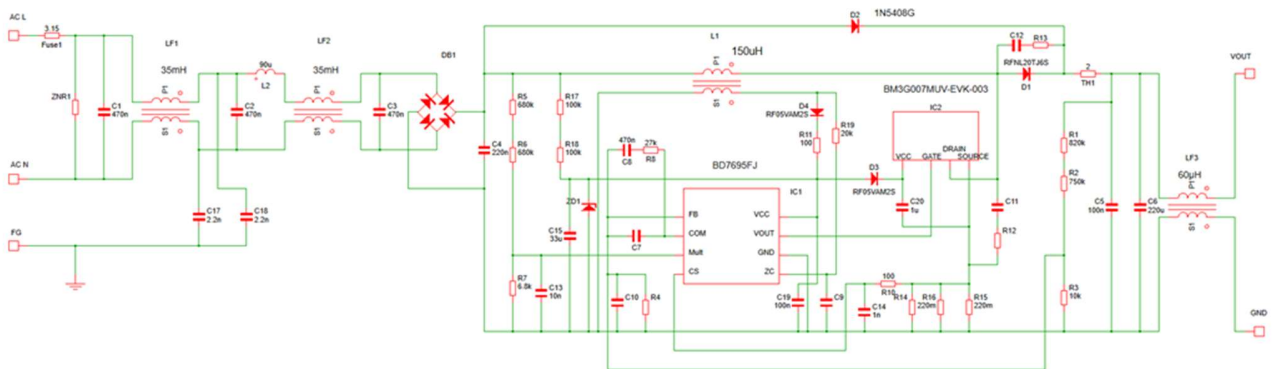


Figure 3. BM3G007MUV-EVK-002 Schematics

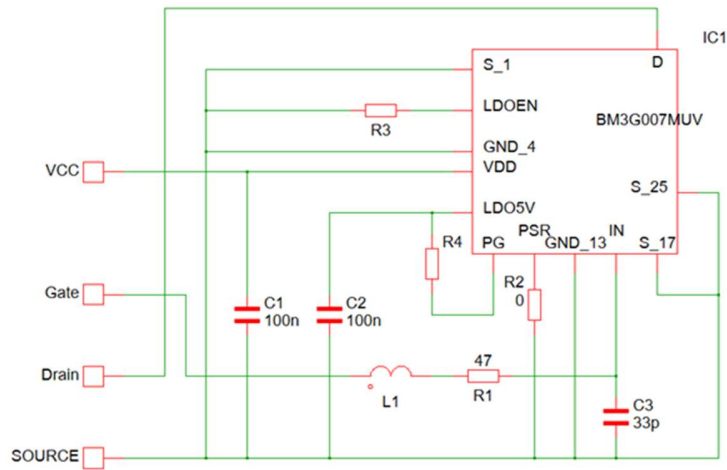


Figure 4. BM3G007MUV-EVK-003 Schematics

Bill of Materials

BM3G007MUV-EVK-002

Item	Specification	Parts Name	Manufacturer
C1,C2,C3	470 nF, 310 Vac	890334025039CS	WURTH ELECTRONIK
C4	0.22 μ F, 310 Vac	890334023027CS	WURTH ELECTRONIK
C5	0.1 μ F, 630 Vdc	890324023023CS	WURTH ELECTRONIK
C6	220 μ F, 450 V	861021486029	WURTH ELECTRONIK
C8	0.47 μ F	UMK212BJ474KG-T	TAIYO YUDEN
C13	10 nF, 50 V	885012206089	WURTH ELECTRONIK
C14	1nF, 50 V	HMK107B7102KA-T	TAIYO YUDEN
C15	33 μ F, 50 V	860020672012	WURTH ELECTRONIK
C17,C18	2200 pF, Y1:300 Vac	DE1E3RA222MA4BP01F	MURATA
C19	0.1 μ F, 50 V	GRM188R72A104KA35D	MURATA
C20	1 μ F / 35V	GMK212BJ105KG-T	TAIYO YUDEN
C7,C9,C10,C11,C12	—	NON-MOUNDTED	
CN1	3pin	B03P-NV(LF)(SN)	JST
CN2	3pin	6.91138E+11	WURTH ELECTRONIK
D1	FRD, 20 A, 600 V	RFNL20TJ6S	ROHM
D2	3 A, 1k V	1N5408G	Onsemi
D3, D4	FRD, 0.5 A, 200 V	RF05VAM2S	ROHM
DB1	600 V	GBUE2560-M3/P	VISHAY
F1	310 Vac, 3.15 A	36913150000	LITTLE
L1	150 μ H 12 A	750345199	WURTH ELECTRONIK
L2	90 μ H	7447013	WURTH ELECTRONIK
LF1, LF2	35 mH/ 3.5 A	7448040435	WURTH ELECTRONIK
LF3	60 μ H	LF1246Y	ALPFATRANS
HEATSHINK1	8.3 $^{\circ}$ C/W	20PBE55-25B	MARUSAN
HEATSHINK2	14 $^{\circ}$ C/W	E2A-T220-38E	OHMITE
HEATSHINK3	32.7 k/W	OSH-1525-SFL	SANKYO THRMOTECH
IC1		BD7695FJ	ROHM
IC2		BM3G007MUV-EVK-003	ROHM
R1	820 k Ω	KTR18EZPF8203	ROHM
R2	750 k Ω	KTR18EZPF7503	ROHM
R3	10 k Ω	MCR03EZPFX1002	ROHM
R5,R6	680 k Ω	KTR18EZPJ684	ROHM
R7	6.8 k Ω	MCR03EZPJ682	ROHM
R8	27k Ω	MCR03EZPJ273	ROHM
R10,R11	100 Ω	MCR18EZPJ101	ROHM
R15, R16	220 m Ω	LTR50UZPFLR220	ROHM
R17,R18	100 k Ω	ESR18EZPJ104	ROHM
R19	20 k Ω	ESR18EZPJ203	ROHM
R4,R12,R13,R14	-	NON-MOUNDTED	
TH1	2 Ω , 4 A	2D2-13LD	SEMITEC
ZD1	24V	TFZV24B	ROHM
SCREW1,SCREW2		P-4 3MC 3 \times 8	
PCB		PCB0257E	

Materials may be changed without notifying.

Bill of Materials

BM3G007MUV-EVK-003

Item	Specification	Parts Name	Manufacturer
C1,C2	0.1 μ F,50 V	GRM188R72A104KA35D	MURATA
C3	33 pF,50 V	GRM1882C1H330JA01#	MURATA
IC1	Rdson 70 m Ω ,650 V	BM3G007MUV	ROHM
L1	600 Ω	BLM18AG601SN1D	MURATA
R1	47 Ω	MCR03EZPJ470	ROHM
R2	0 Ω	MCR03EZPJ000	ROHM
R3,R4	-	NON-MOUNTED	
TP1,TP2,TP3,TP4		CK-1-2	MAC8
PCB		PCB0275D	

Materials may be changed without notifying.

PCB

BM3G007MUV-EVK-002

Size: 210 mm x 75 mm

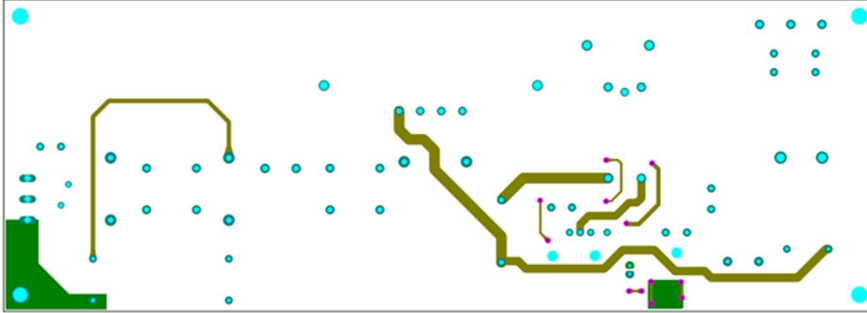


Figure 5. Top Layout (Top view)

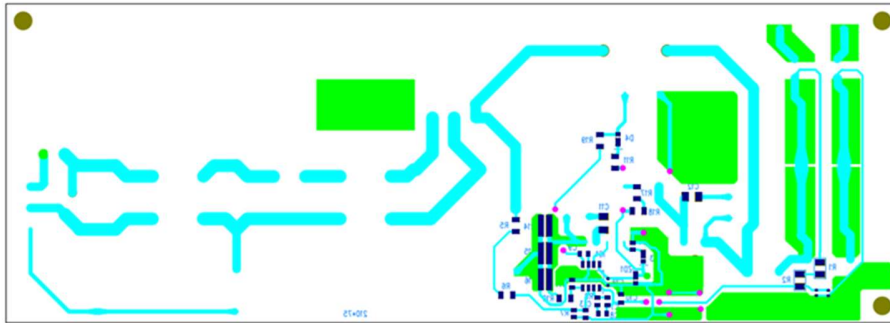


Figure 6. Bottom Layout (Top view)

BM3G007MUV-EVK-003

Size: 19 mm X 22 mm

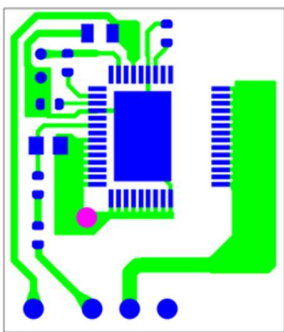


Figure 7. TOP Layout (Top view)

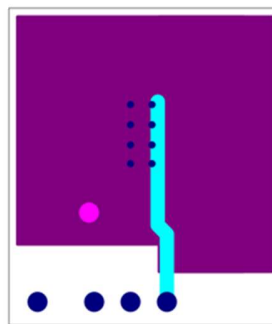


Figure 8. Bottom Layout (Top view)

BM3G007MUV Overview

Feature

- Wide Operating Range for VDD Pin Voltage
- Wide Operating Range for IN Pin Voltage
- Low VDD Quiescent and Operating Current
- High dv/dt Immunity
- Adjustable Gate Drive Strength
- Power Good Signal Output
- VDD UVLO Protection
- Thermal Shutdown Protection

Key Specification

- Operating Power Supply Voltage Range
 - VDD pin: 6.25 V to 30 V
 - D pin: 650 V(Max)
 - IN pin: -0.6 V to 30 V
- Allowable Input Switching Frequency: 2 MHz (Max)
- Circuit Current 0.58 mA (Typ.)
- Turn-on Delay Time: 12 ns (Typ)
- Turn-off Delay Time: 15 ns (Typ)
- Operating Temperature Range -40 °C to +105 °C
- GaN HEMT D-S ON State Resistance: 70 mΩ (Typ)

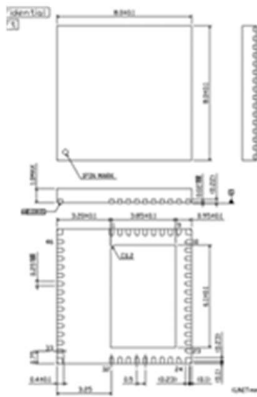


Figure 9. Pin Configuration

Package

W(Typ) x D(Typ) x H(Max)

VQ46TV80AW 8.0 mm x 8.0 mm x 1.0 mm

Pitch 0.5 mm

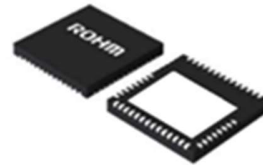


Table 1. BM3G007MUV PIN description

Pin No.	Pin Name	I/O	Function
1,2,17-22,24-32,EXP	S	O	GaN HEMT SOURCE pin
3	LDOEN	I	LDO function enable/disable pin
4,13	GND	O	GND pin
5,7,9,19,14,16,23,24	N.C	-	Non-connection
6	VDD	I	Power supply input pin
8	LDO5V	O	5 V LDO output pin
11	PG	O	Power good signal output pin
12	RSR	I	Gate drive strength adjustment pin
15	IN	I	Non-inverting gate drive input
33-46	D	I	GaN HEMT DRAIN pin
	EXP	O	GaN HEMT SOURCE pin
	C.S	-	Corner pin
	C.N.C	-	Corner pin, non-connection

Performance Data

Load Regulation

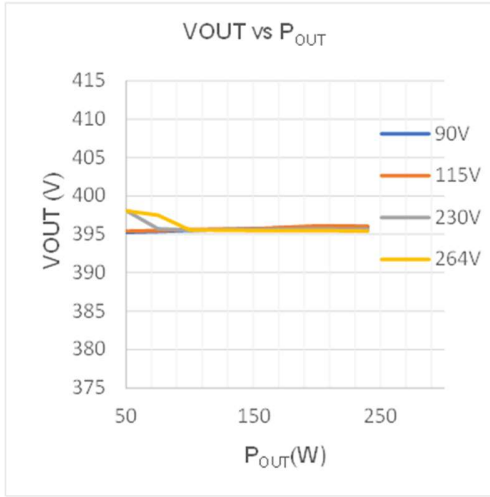


Figure 10. Load Regulation (VOUT vs POUT)

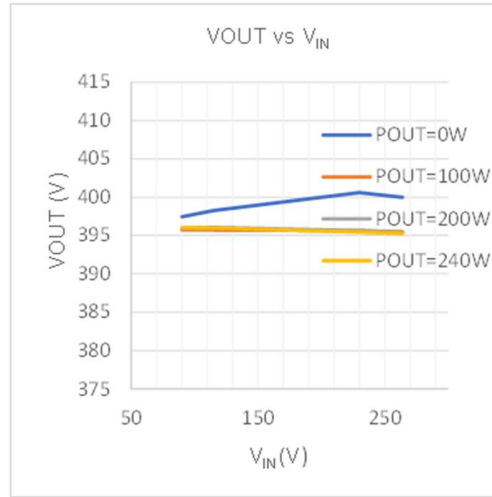


Figure 11. Line Regulation (VOUT vs VIN)

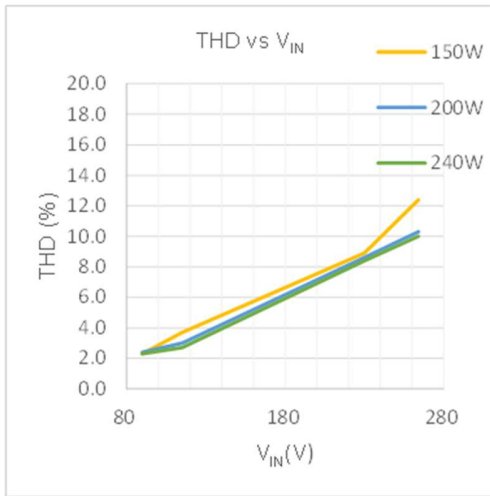


Figure 12. Total Harmonic Distortion (THD vs VIN)

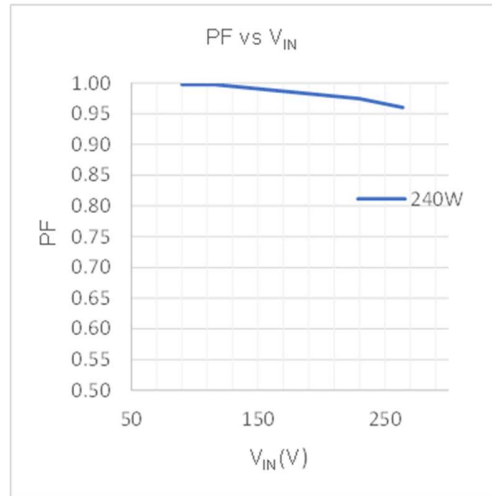


Figure 13. Power Factor (PF vs VIN)

Performance data – Continued

Efficiency

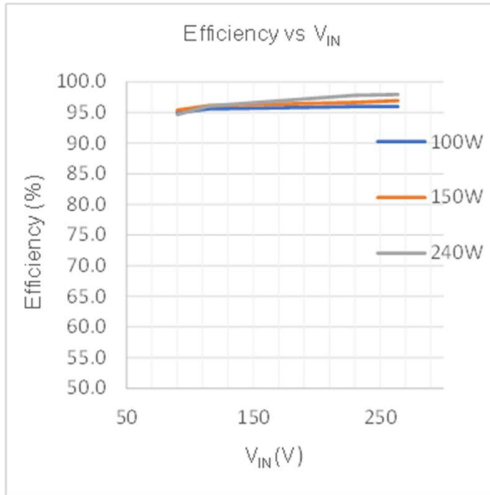


Figure 14. Efficiency (Efficiency vs VIN)

Harmonic Current

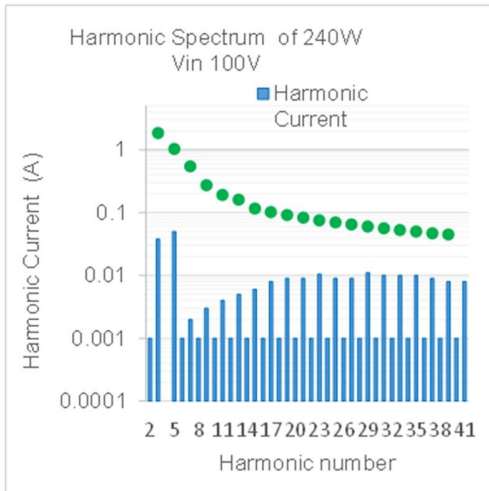


Figure 15. Harmonic Current V_{IN} = 100 V_{ac}

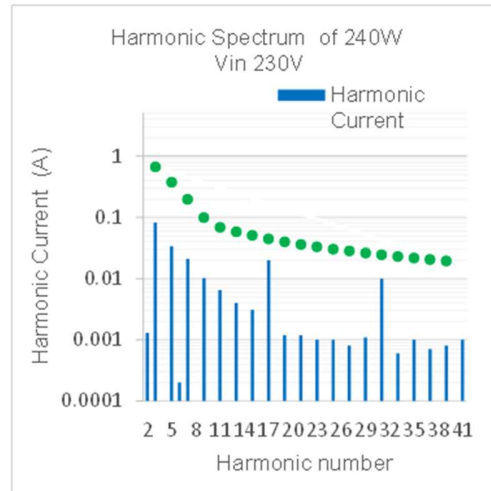


Figure 16. Harmonic Current V_{IN} = 230 V_{ac}

Performance Data – Continued

Input Current

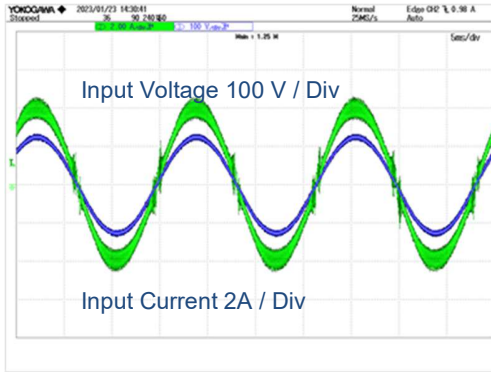


Figure 17. Input Current $V_{IN} = 115 V_{ac}$, $I_{OUT} = 0.6 A$

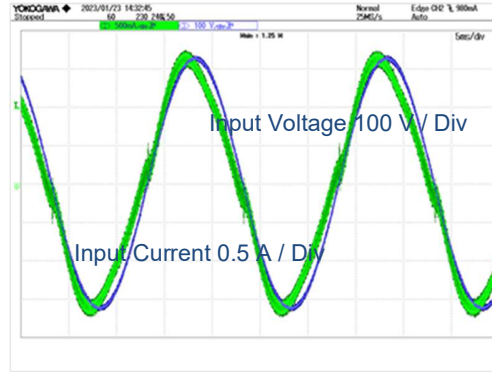


Figure 18. Input Current $V_{IN} = 230 V_{ac}$, $I_{OUT} = 0.6 A$

$V_{DS, Id}$ WaveForm $V_{IN} = 90 V_{ac}$ $I_o = 0.6 A$

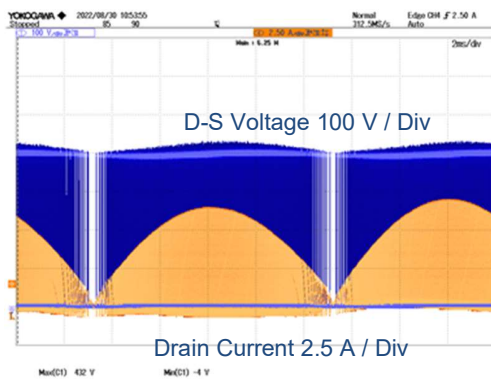


Figure 19. $V_{DS, Id}$ $V_{IN} = 90 V_{ac}$ $I_{OUT} = 0.6 A$

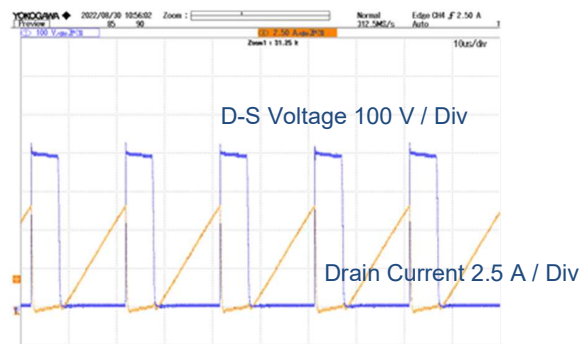


Figure 20. $V_{DS, Id}$ ZOOM

Performance Data – Continued

Hold time

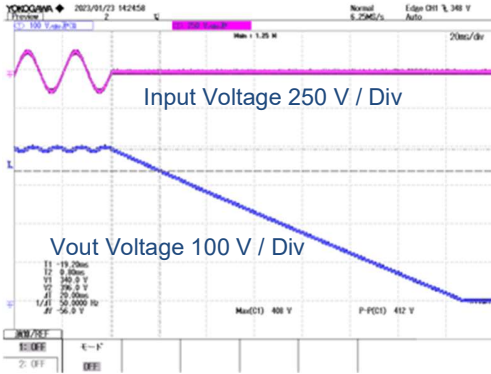


Figure 21. Hold time

Start Up Rload = 650 Ω

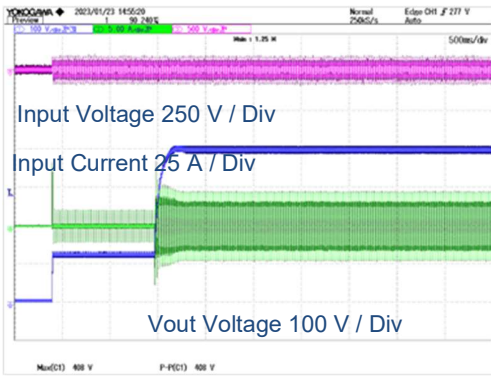


Figure 22. Start Up $V_{IN} = 90 V_{ac}$

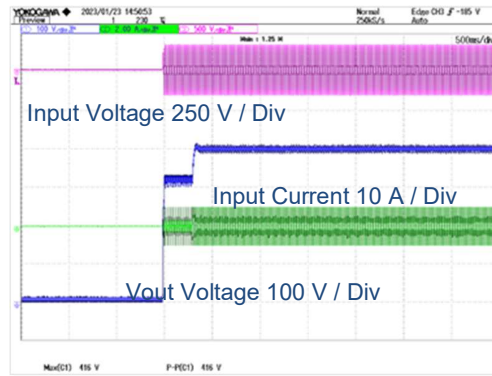


Figure 23. Start Up $V_{IN} = 264 V_{ac}$

Performance Data - Continued

Load Transient $I_o = 0.0\text{ A} \leftrightarrow 0.6\text{ A}$

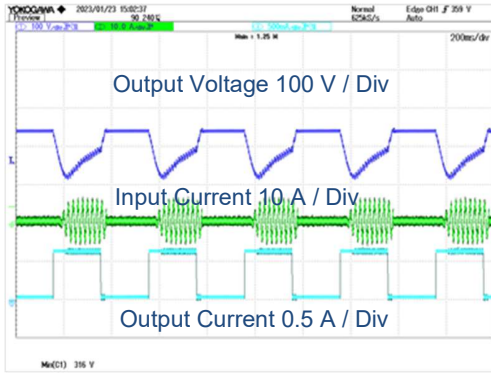


Figure 24. Load Transient $V_{IN} = 90\text{ V}_{ac}$

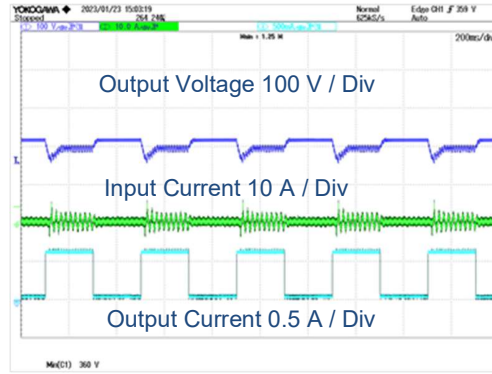


Figure 25. Load Transient $V_{IN} = 264\text{ V}_{ac}$

Output ripple $I_o = 0.6\text{ A}$

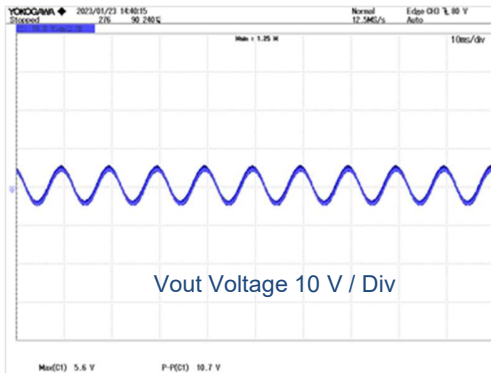


Figure 26. Output ripple $V_{IN} = 90\text{ V}_{ac}$

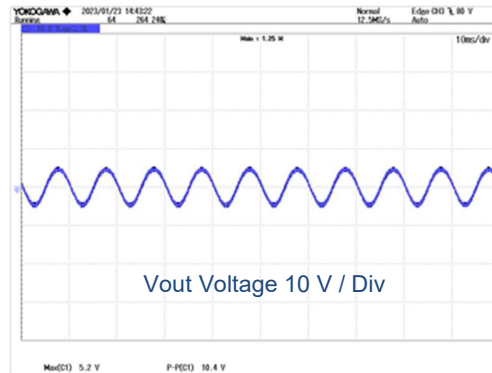


Figure 27. Output ripple $V_{IN} = 264\text{ V}_{ac}$

Performance Data - Continued

- Operating Temperature

Measurement results 30 minutes after power-on.

Table 2. Component surface temperature. (Ta=24°C)

VIN [Vac]	IOUT [A]	D1 [°C]	GaN [°C]	L2	FL1	FL2
90	0.6	74.4	70.0	63.5	64.0	71.7
264	0.6	63.1	48.0	32.2	30.3	33.1

EMI

Conducted Emission: CISPR22 Pub 22 Class B

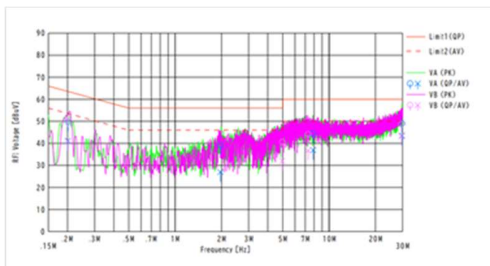


Figure 28. VIN = 100 Vac / 60 Hz, IOUT = 0.6 A

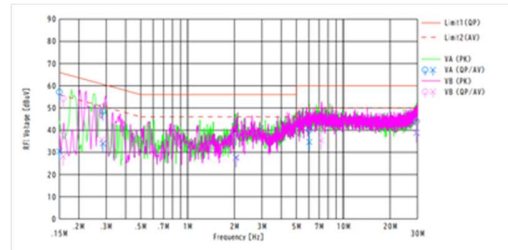


Figure 29. VIN = 230 Vac / 60 Hz, IOUT = 0.6 A

Revision History

Date	Rev.	Changes
24.May.2023	001	New Release

Notice

- 1) The information contained in this document is intended to introduce ROHM Group (hereafter referred to as ROHM) products. When using ROHM products, please verify the latest specifications or datasheets before use.
- 2) ROHM products are designed and manufactured for use in general electronic equipment and applications (such as Audio Visual equipment, Office Automation equipment, telecommunication equipment, home appliances, amusement devices, etc.) or specified in the datasheets. Therefore, please contact the ROHM sales representative before using ROHM products in equipment or devices requiring extremely high reliability and whose failure or malfunction may cause danger or injury to human life or body or other serious damage (such as medical equipment, transportation, traffic, aircraft, spacecraft, nuclear power controllers, fuel control, automotive equipment including car accessories, etc. hereafter referred to as Specific Applications). Unless otherwise agreed in writing by ROHM in advance, ROHM shall not be in any way responsible or liable for any damages, expenses, or losses incurred by you or third parties arising from the use of ROHM Products for Specific Applications.
- 3) Electronic components, including semiconductors, can fail or malfunction at a certain rate. Please be sure to implement, at your own responsibilities, adequate safety measures including but not limited to fail-safe design against physical injury, and damage to any property, which a failure or malfunction of products may cause.
- 4) The information contained in this document, including application circuit examples and their constants, is intended to explain the standard operation and usage of ROHM products, and is not intended to guarantee, either explicitly or implicitly, the operation of the product in the actual equipment it will be used. As a result, you are solely responsible for it, and you must exercise your own independent verification and judgment in the use of such information contained in this document. ROHM shall not be in any way responsible or liable for any damages, expenses, or losses incurred by you or third parties arising from the use of such information.
- 5) When exporting ROHM products or technologies described in this document to other countries, you must abide by the procedures and provisions stipulated in all applicable export laws and regulations, such as the Foreign Exchange and Foreign Trade Act and the US Export Administration Regulations, and follow the necessary procedures in accordance with these provisions.
- 6) The technical information and data described in this document, including typical application circuits, are examples only and are not intended to guarantee to be free from infringement of third parties intellectual property or other rights. ROHM does not grant any license, express or implied, to implement, use, or exploit any intellectual property or other rights owned or controlled by ROHM or any third parties with respect to the information contained herein.
- 7) No part of this document may be reprinted or reproduced in any form by any means without the prior written consent of ROHM.
- 8) All information contained in this document is current as of the date of publication and subject to change without notice. Before purchasing or using ROHM products, please confirm the latest information with the ROHM sales representative.
- 9) ROHM does not warrant that the information contained herein is error-free. ROHM shall not be in any way responsible or liable for any damages, expenses, or losses incurred by you or third parties resulting from errors contained in this document.



Thank you for your accessing to ROHM product informations.
More detail product informations and catalogs are available, please contact us.

ROHM Customer Support System

<https://www.rohm.com/contactus>

X-ON Electronics

Largest Supplier of Electrical and Electronic Components

Click to view similar products for [Power Management IC Development Tools](#) category:

Click to view products by [ROHM](#) manufacturer:

Other Similar products are found below :

[EVB-EP5348UI](#) [DA9063-EVAL](#) [BQ24155EVM](#) [BQ25010EVM](#) [REG710EVM-5](#) [TPS54980EVM-022](#) [TPS65010EVM-230](#) [BQ24120EVM-001](#) [BQ24212EVM-678](#) [BQ3050EVM-001](#) [ISL9520EVAL1Z](#) [UCC3809EVM](#) [LM3691TL-1.2EV/NOPB](#) [SOT23-3EV-VREG](#) [SOT89-3EV-VREG](#) [TPS2458EVM](#) [TPS54229EEVM-056](#) [TPS54329EEVM-056](#) [MAX8556EVKIT](#) [MAX20012EVKIT#](#) [MAX15005AEVKIT+](#) [S6SBP203A8FVA1001](#) [TPS652510EVM](#) [STEVAL-ISA047V1](#) [ISL8502AEVAL1Z](#) [ISL8009AEVAL1Z](#) [TPS76901EVM-127](#) [FRDM-HB2001-EVM](#) [BM6208FS-EVK-001](#) [LM5115EVAL](#) [LP5900TL-2.5EV](#) [DRI0043](#) [7E.12.8.230.0002](#) [KITPF8100FRDMEVM](#) [NCP10671B05GEVB](#) [MAX20073EVKIT#](#) [EVB-EN6337QA](#) [AP3125AEV1](#) [NIV6350MT2GEVB](#) [XMCA1](#) [RD33771-48VEVM](#) [EVKT-MPM3695-10-A](#) [DEMO200W12VDCLLC](#) [SAMPLEBOXILD8150TOBO1](#) [MAX18066EVKIT#](#) [AP61100Z6-EVM](#) [AP62300WU-EVM](#) [KIT8020-CRD-8FF1217P-1](#) [KITPF8121FRDMEVM](#) [EV2174C-G-00A](#)