

Power Supply IC Series for TFT-LCD Panels

Automotive Panel Power Management IC

BM81810MUF-M

General Description

BM81810MUF-M is a power management IC for TFT-LCD panels which are used in car navigation, in-vehicle center panel, and instrument cluster. This IC incorporates VCOM amplifier, Gate Pulse Modulation (GPM) in addition to the power supply for panel driver (SOURCE, GATE, and LOGIC power supplies). Moreover, this IC has a built-in EEPROM for sequence and output voltage setting retention.

Key Specifications

- Input voltage range: 2.6V to 5.5V
- AVDD Output voltage range: 5.0V to 17.0V
- VGH Output voltage range: 8.0V to 35.0V
- VGL Output voltage range: -4.0V to -14.0V
- VDD Output voltage range: 0.9V to 3.4V
- VCOM Output current: 200 mA (Typ)
- Switching Frequency: 525KHz, 1.05MHz, 2.1MHz
- Operating temperature range: -40°C to +105°C
- Standby current: 2.0 μA (Typ)

Special Characteristics

- AVDD output voltage accuracy: ±2%
- Oscillator Frequency: ±10%

Applications

TFT-LCD Panels which are used in car navigation, in-vehicle center panel, and instrument cluster.

Features

- AEC-Q100 Qualified^(Note 1)
- Alternative Synchronous Buck DC/DC converter or LDO for VDD output
- Synchronous Boost DC/DC converter for AVDD output with integrated load switch.
- VCOM amplifier with 7bit calibrator
- Positive charge pump (Integrated diode, x2/x3) for VGH output
- Negative charge pump for VGL output
- VGH and VCOM temperature compensation
- Gate Pulse Modulation(GPM)
- I²C Interface Output Voltage Setting Control Function (Integrated EEPROM)
- Switching frequency switching function (525kHz, 1.05MHz, 2.1MHz)
- Protection circuits
 - Under-Voltage Lockout
 - Thermal Shut Down
 - Over-Current Protection
 - Over-Voltage Protection
 - Under Voltage Protection (Timer Latch type)
- Input tolerant (SCL, SDA, EN, GSIN) (Note1: Grade 2)

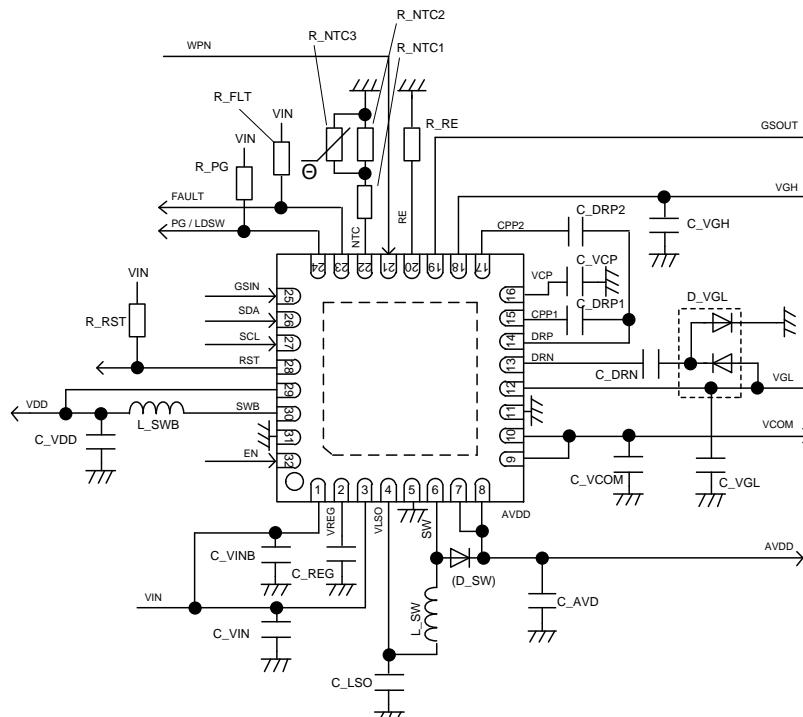
Package

VQFN32FBV050

W(Typ) x D(Typ) x H(Max)

5.0mm x 5.0mm x 1.0mm

Typical Application Circuit (TOP VIEW)

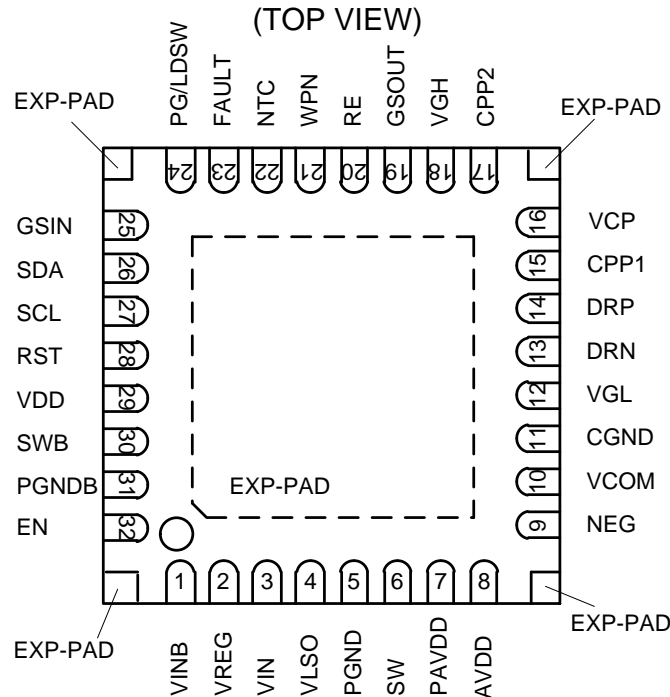


○Product structure : Silicon integrated circuit ○This product has no designed protection against radioactive rays.

Contents

General Description	1
Key Specifications	1
Special Characteristics	1
Applications	1
Features.....	1
Package.....	1
Typical Application Circuit.....	1
Pin Configuration	3
Pin Descriptions.....	3
Absolute Maximum Ratings	4
Thermal Resistance.....	5
Recommended Operating Ratings	5
Electrical Characteristics	6
Typical Performance Curves.....	10
Application Example 1	25
Timing Chart1	27
Application Example 2	29
Timing Chart2	29
Application Example 3	31
Timing Chart3	33
Serial communication	35
WPN Timing.....	36
I2C Timing Diagram	37
Automatic EEPROM Read Function at Start-up	38
EEPROM Parameter Setting	39
Register Map	40
Command Table.....	41
Check Sum	45
Soft Start Time	46
Block Diagram	47
AVDD Block Function.....	48
VGH Block Function	51
VGL Block Function	54
VCOM Block Function	55
VDD Block Function.....	56
GPM Block Function	58
RESET Block Function	59
PG/LDSW Block Function.....	60
NTC Block Function.....	61
EN Block Function	61
VGH and VCOM temperature compensation.....	62
FAULT Block Function	63
Fail Register Function.....	63
Protection function explanation of POWER MANAGEMENT block	64
Double Register	65
Data Refresh.....	65
PCB Layout Guide	66
EMC Layout Guide	67
I/O Equivalence Circuit	68
Operational Notes.....	71
Ordering Information.....	73
Marking Diagram	73
Physical Dimension, Tape and Reel Information.....	74
Revision History.....	75

Pin Configuration



Pin Descriptions

Pin No.	Pin Name	Function	Pin No.	Pin Name	Function
1	VINB	Buck DC/DC power supply input	17	CPP2	Built-in Positive charge pump switching Di output 3
2	VREG	Inner power supply output	18	VGH	Positive charge pump feedback & Power Input of Gate Pulse Modulation
3	VIN	Boost DC/DC load switch input	19	GSOUT	Output of Gate Pulse Modulation
4	VLSD	Boost DC/DC load switch output	20	RE	Slope Setting Pin for Gate Pulse Modulation
5	PGND	Boost DC/DC ground	21	WPN	Active Low of EEPROM Writing protection.
6	SW	Boost DC/DC switching pin	22	NTC	Slope setting pin for temperature compensation of the VON and VCOM
7	PAVDD	Boost DC/DC output & output feedback Power Input of DRN	23	FAULT	FAULT signal output
8	AVDD	Power Input of VCOM , DRP	24	PG/LDSW	Power Good signal output or Load SW of PAVDD.
9	NEG	Negative Input of VCOM Amplifier	25	GSIN	Input of Gate Pulse Modulation
10	VCOM	VCOM amplifier output	26	SDA	Serial clock data input (I2C)
11	CGND	Charge pump ground	27	SCL	Serial clock input (I2C)
12	VGL	Negative charge pump feedback	28	RST	Reset output
13	DRN	Negative charge pump driver pin	29	VDD	Buck DC/DC or LDO output feedback input
14	DRP	Positive charge pump driver pin	30	SWB	Buck DC/DC switching pin or LDO output pin
15	CPP1	Built-in Positive charge pump switching Di output 1	31	PGNDB	Buck DC/DC ground
16	VCP	Built-in Positive charge pump switching Di output 2	32	EN	Enable input
			-	EXP-PAD	Connect to Ground.

Absolute Maximum Ratings

Parameter	Symbol	Limits			Unit
		Min	Typ	Max	
Power Supply Voltage	VIN, VINB	-0.3	-	+6.5	V
Output Pin	SWB	-0.3	-	VINB+0.3	V
	VDD	-0.3	-	+6.5	V
	AVDD, PAVDD, SW	-0.3	-	+19	V
	VLSO	-0.3	-	+6.5	V
	VCOM	-0.3	-	AVDD+0.3	V
	DRP	-0.3	-	AVDD+0.3	V
	DRN	-0.3	-	PAVDD+0.3	V
	CPP1, CPP2, VCP	-0.3	-	+36	V
	VGH, GSOUT, RE	-0.3	-	+36	V
	VGL	-15	-	+0.3	V
	VREG	-0.3	-	VIN+0.3	V
	FAULT	-0.3	-	+6.5	V
	PG/LDSW	-0.3	-	+19	V
	RST, NTC	-0.3	-	VIN+0.3	V
Input Pin	NEG	-0.3	-	AVDD+0.3	V
Functional Pin Voltage	SCL, SDA, EN, GSIN	-0.3	-	+6.5	V
	WPN	-0.3	-	VIN+0.3	V
Maximum Junction temperature	Tjmax ^(Note 1)	-	-	+150	°C
Storage Temperature Range	Tstg	-55	-	+150	°C

Caution 1: Operating the IC over the absolute maximum ratings may damage the IC. The damage can either be a short circuit between pins or an open circuit between pins and the internal circuitry. Therefore, it is important to consider circuit protection measures, such as adding a fuse, in case the IC is operated over the absolute maximum ratings.

Caution 2: Should by any chance the maximum junction temperature rating be exceeded the rise in temperature of the chip may result in deterioration of the properties of the chip. In case of exceeding this absolute maximum rating, design a PCB with thermal resistance taken into consideration by increasing board size and copper area so as not to exceed the maximum junction temperature rating.

(Note 1) Junction temperature at storage time.

Thermal Resistance (Note 1)

Parameter	Symbol	Thermal Resistance (Typ)		Unit
		1s (Note 3)	2s2p (Note 4)	
VQFN32FBV050				
Junction to Ambient	θ_{JA}	138.9	39.1	°C/W
Junction to Top Characterization Parameter (Note 2)	Ψ_{JT}	11	5	°C/W

(Note 1)Based on JESD51-2A(Still-Air).

(Note 2)The thermal characterization parameter to report the difference between junction temperature and the temperature at the top center of the outside surface of the component package.

(Note 3)Using a PCB board based on JESD51-3.

Layer Number of Measurement Board	Material	Board Size
Single	FR-4	114.3mm x 76.2mm x 1.57mm

Top	
Copper Pattern	Thickness
Footprints and Traces	70μm

(Note 4)Using a PCB board based on JESD51-5, 7.

Layer Number of Measurement Board	Material	Board Size	Thermal Via (Note 5)		
			Pitch	Diameter	
4 Layers	FR-4	114.3mm x 76.2mm x 1.6mm	1.20mm	Φ0.30mm	
Top		2 Internal Layers		Bottom	
Copper Pattern	Thickness	Copper Pattern	Thickness	Copper Pattern	Thickness
Footprints and Traces	70μm	74.2mm x 74.2mm	35μm	74.2mm x 74.2mm	70μm

(Note 5) This thermal via connects with the copper pattern of all layers.

Recommended Operating Ratings (Ta=-40 °C to +105 °C)

Parameter	Symbol	Min	Typ	Max	Unit
Power Supply Voltage	VIN, VINB	2.6	-	5.5	V
SWB Current	ISWB	-	-	1.0	A
SW Current	ISW	-	-	2.0	A
Functional Pin Voltage	EN, GSIN, WPN	-0.1	-	+5.5	V
2 Line Serial Pin Voltage	SDA, SCL	-0.1	-	+5.5	V
2 Line Serial Frequency	FCLK	-	-	400	kHz
Operating Ambient Temperature	TA	-40	-	+105	°C
Operating Junction Temperature	TJ	-40	-	+125	°C

Electrical Characteristics (Unless otherwise specified, Ta=25°C, VIN, VINB=3.3V)

1. VDD regulator block (Alternative Buck converter or LDO)

Parameter	Symbol	Limits			Unit	Condition
		Min	Typ	Max		
Output Voltage Range	VDD	0.9	-	3.4	V	50 mV step
Output Voltage Accuracy 1	VDD_R1	2.462	2.5	2.538	V	VDD=2.5 V setting
Output Voltage Accuracy 2	VDD_R2	-2.0	-	+2.0	%	VDD=2.5 V to 3.4 V setting (Ta=-40 to +105 °C)
Output Voltage Accuracy 3	VDD_R3	-3.0	-	+3.0	%	VDD=0.9 V to 2.45 V setting (Ta=-40 to +105 °C)
Soft Start time	VDD_SS	0.85	1	1.15	ms	VDD=1.2 V setting
Under-Voltage Protection voltage	VDD_UVP	VDDx0.7	VDDx0.8	VDDx0.9	V	
SWB H Side ON Resistance	RONH_SWB	-	300	480	mΩ	DCDC mode
SWB L Side ON Resistance	RONL_SWB	-	300	480	mΩ	DCDC mode
SWB H Side ON Resistance	RON_SWB	-	1.0	2.0	Ω	LDO mode
SWB H Side Leak Current	IL_SWBH	-	0	20	μA	(Ta=-40 to +105 °C)
SWB L Side Leak Current	IL_SWBL	-	0	20	μA	(Ta=-40 to +105 °C)
Current Limit	ILMT_SWB1	1.0	1.7	2.7	A	Buck DCDC mode
Current Limit	ILMT_SWB2	0.3	0.5	0.7	A	LDO mode
Maximum Duty	DMAX_SWB	87	95	-	%	Freq=1.05 MHz (Freq=0.525 MHz:98%typ) (Freq=2.10 MHz:87%typ)
Discharge Resistance	DISR_VDD	-	25	50	Ω	

2. Boost DC/DC converter block (AVDD)

Parameter	Symbol	Limits			Unit	Condition
		Min	Typ	Max		
Output Voltage Range	AVDD	5.0	-	17.0	V	0.1 V step
Output Voltage Accuracy1	AVDD_R1	10.342	10.5	10.66	V	AVDD=10.5 V setting
Output Voltage Accuracy2	AVDD_R2	10.29	10.5	10.71	V	AVDD=10.5 V setting (Ta=-40 to +105 °C)
Load Switch Soft Start time	LS_SS	1.7	2	2.3	ms	
Soft Start Time	AVDD_SS	4.25	5	5.75	ms	AVDD=10.5 V setting 5 ms setting
Under-Voltage Protection voltage	AVDD_UVP	AVDDx0.7	AVDDx0.8	AVDDx0.9	V	
Over-Voltage Protection voltage	AVDD_OVP	AVDDx1.03	AVDDx1.1	AVDDx1.2	V	
SW H Side On Resistance	RON_SW	-	250	480	mΩ	
SW L Side On Resistance	RON_SW	-	200	350	mΩ	
SW H Side Leak Current	IL_SWH	-	0	20	μA	(Ta=-40 to +105 °C)
SW L Side Leak Current	IL_SWL	-	0	20	μA	(Ta=-40 to +105 °C)
Current Limit	ILMT_SW	2.0	4.0	6.0	A	AVDD OCP=2 A setting
Current Limit	ILMT_SW	1.0	2.0	2.5	A	AVDD OCP=1 A setting
Load Switch ON Resistance	RON_LS	-	200	350	mΩ	
Maximum Duty	DMAX_SW	83	90	-	%	Freq=1.05 MHz (Freq=0.525 MHz:95%typ) (Freq=2.10 MHz:80%typ)
Discharge Resistance	DISR_AVDD	-	25	50	Ω	

Electrical Characteristics (Unless otherwise specified, Ta=25°C, VIN, VINB=3.3V) – continued

3. VCOM amplifier block (VCOM)

Parameter	Symbol	Limits			Unit	Condition
		Min	Typ	Max		
Output Voltage Range1	VCOM_HOT	0.5x AVDD - 4.0	0.5x AVDD	0.5x AVDD + 4.0	V	40 mV step
Output Voltage Range2	VCOM_COLD	VCOM HOT - 0.63	-	VCOM HOT	V	10 mV step
Output Voltage Range3	VCOM_CAL	VCOM HOT - 0.63	VCOM HOT	VCOM HOT +0.63V	V	10 mV step
Output Voltage Range4	VCOM_RNG	0.2xAVDD	-	0.7x AVDD	V	
Calibration Resolution	RES_CAL	-	7	-	Bit	
Integral Non-Linearity Error (INL)	INL_CAL	-1	-	+1	LSB	
Differential Non-Linearity Error (DNL)	DNLCAL	-1	-	+1	LSB	
Output Current Ability (Source)	ISOURCE	-	200	-	mA	
Output Current Ability (Sink)	ISINK	-	200	-	mA	
Load Stability	VLOAD	-	10	70	mV	Io=-15 mA to +15 mA
Slew Rate	SR	30	60	80	V/μs	

4. Positive charge pump block (VGH)

Parameter	Symbol	Limits			Unit	Condition
		Min	Typ	Max		
Output Voltage Range 1	VGH_HOT	8.0	-	35	V	0.2 V step
Output Voltage Range 2	VGH_COLD	VGH HOT	-	VGH HOT +15V	V	0.2 V step *Max = 35 V
Output Voltage Accuracy 1	VGH_R1	17.46	18	18.54	V	VGH=18 V setting
Output Voltage Accuracy 2	VGH_R2	17.1	18	18.9	V	VGH=18 V setting (Ta=-40 to +105 °C)
Soft Start time	VGH_SS	4.25	5	5.75	ms	VGH=18 V setting
Under-Voltage Protection voltage	VGH_UVP	VGHx0.7	VGHx0.8	VGHx0.9	V	
DRP H Side On Resistance	RON_DRPH	-	10	20	Ω	
DRP L Side On Resistance	RON_DRPL	-	10	20	Ω	
AVDD-CPP1 On Resistance	RON_CPP1	-	10	20	Ω	
CPP1-VCP On Resistance	RON_CPP2	-	10	20	Ω	
VCP-CPP2 On Resistance	RON_CPP3	-	10	20	Ω	
CPP2-VGH On Resistance	RON_CPP4	-	10	20	Ω	
Discharge Resistance	DISR_VGH	-	150	300	Ω	

5. Negative charge pump block (VGL)

Parameter	Symbol	Limits			Unit	Condition
		Min	Typ	Max		
Output Voltage Range	VGL	-14.0	-	-4.0	V	0.1 V step
Output Voltage Accuracy 1	VGL_R1	-6.18	-6	-5.82	V	VGL=-6.0 V setting
Output Voltage Accuracy 2	VGL_R2	-6.3	-6	-5.7	V	VGL=-6.0 V setting (Ta=-40 to +105 °C)
Soft Start time	VGL_SS	4.25	5	5.75	ms	
Under-Voltage Protection voltage	VGL_UVP	VGLx0.7	VGLx0.8	VGLx0.9	V	
DRN H Side On Resistance	RON_DRNH	-	10	20	Ω	
DRN L Side On Resistance	RON_DRNN	-	10	20	Ω	
Discharge Resistance	DISR_VGL	-	250	500	Ω	

Electrical Characteristics (Unless otherwise specified, Ta=25°C, VIN, VINB=3.3V) – continued

6. Temperature compensation block (NTC)

Parameter	Symbol	Limits			Unit	Condition
		Min	Typ	Max		
NTC HOT Voltage	VNTC_H	0.475	0.5	0.525	V	
NTC COLD Voltage	VNTC_H	1.1875	1.25	1.3125	V	
NTC Current	INTC	36	40	44	µA	
NTC Resolution	RES_NTC	-	4	-	Bit	

7. Gate Pulse Modulation block (GPM)

Parameter	Symbol	Limits			Unit	Condition
		Min	Typ	Max		
GPM High Switch On Resistance	RON_GPMH	-	15	30	Ω	
GPM Low Switch On Resistance	RON_GPML	-	30	-	Ω	
GPM Propagation Delay1	T_GPM1	-	0.1	0.3	µs	No Capacitive Load 0.1 µs setting
GPM Propagation Delay2	T_GPM2	-	0.5	1.0	µs	No Capacitive Load 0.5 µs setting
GPM Propagation Delay3	T_GPM3	-	1.0	1.75	µs	No Capacitive Load 1.0 µs setting
GPM Propagation Delay4	T_GPM4	-	1.5	2.5	µs	No Capacitive Load 1.5 µs setting
GSIN Pull Down Resistance	RGSIN	70	100	130	kΩ	
GSIN Input High Voltage	VGSINH	1.5	-	-	V	
GSIN Input Low Voltage	VGSINL	-	-	0.6	V	

Electrical Characteristics (Unless otherwise specified, Ta=25°C, VIN, VINB=3.3V) – continued

8. Overall (Entire device)

Parameter	Symbol	Limits			Unit	Condition
		Min	Typ	Max		
Inside Regulator Voltage						
VREG Output Voltage	VREG	2.15	2.3	2.45	V	
Load Stability	ΔV	-	20	100	mV	IVREG=5 mA
Oscillator Block						
Oscillating Frequency 1	FOSC1	475	525	575	KHz	
Oscillating Frequency 2	FOSC2	950	1050	1150	KHz	
Oscillating Frequency 3	FOSC3	1900	2100	2300	KHz	
Under Voltage Lock Out (UVLO) Circuit						
UVLO release voltage	VUVLO1	2.5	2.55	2.6	V	
UVLO detection voltage	VUVLO2	2.0	2.1	2.2	V	
Hysteresis	VHYS_UVL	-	0.45	-	V	
Reset Circuit Block						
Reset Voltage Range	VRST	0.6	*	3.3	V	0.1 V step
Reset Voltage Accuracy	VRST_R1	1.9	2.0	2.1	V	VRST=2.0 V setting
Hysteresis	VHYS_RST	-	0.1	-	V	
Reset Delay time Range	T_Delay2	0	-	40	ms	
FAULT/ PG / RST Signal Output Block						
Output Off Leak Current	IL	-	0	10	μA	
Output On Resistance	RON_O	-	1	2	kΩ	
Control Signal Block1 SDA, SCL, WPN						
Minimum Output Voltage	VSDA	-	-	0.4	V	ISDA=3 mA
H Level Input Voltage	VIH	1.5	-	-	V	
L Level Input Voltage	VIL	-	-	0.6	V	
WPN Pull Down Resistance	RWPN	70	100	130	kΩ	
Control Signal Block2 EN						
Pull-Down Resistance Value	REN_L	280	400	520	kΩ	EN=Low
	REN_H	420	600	780	kΩ	EN=High
H Level Input Voltage	VENH	1.5	-	-	V	
L Level Input Voltage	VENL	-	-	0.6	V	
Overall						
Standby Current1	ISTB1	-	2.0	5.0	μA	EN=GND
Standby Current2	ISTB2	-	-	20	μA	EN=GND (Ta=-40 to +105 °C)
Consumption Current	ICC1	-	2.0	5.0	mA	EN=VIN, No switching

9. EEPROM

Parameter	Symbol	Limits			Unit	Condition
		Min	Typ	Max		
Rewritable cycle	Cyc	100	-	-	Times	TJ<125 °C
Programmable time	Twr	-	-	50	ms	
Data hold years	DHY	20	-	-	Years	TJ<125 °C

Typical Performance Curves

(Unless otherwise specified VIN=3.3V, VDD=2.5V, AVDD=10.5V, VGH=18V, VGL=-6.0V, VCOM=5.25V and Ta=25°C)

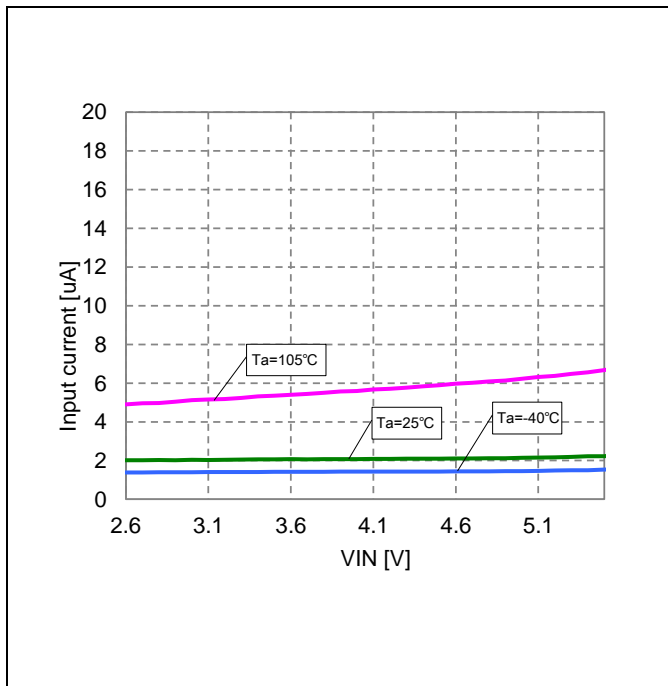


Figure 3. Standby Current(EN=L)

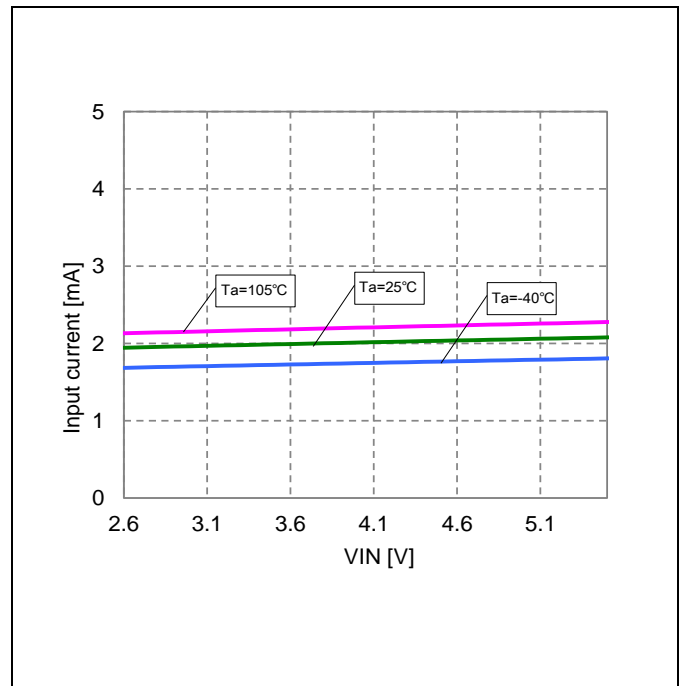


Figure 4. Circuit Current(EN=H, no switching)

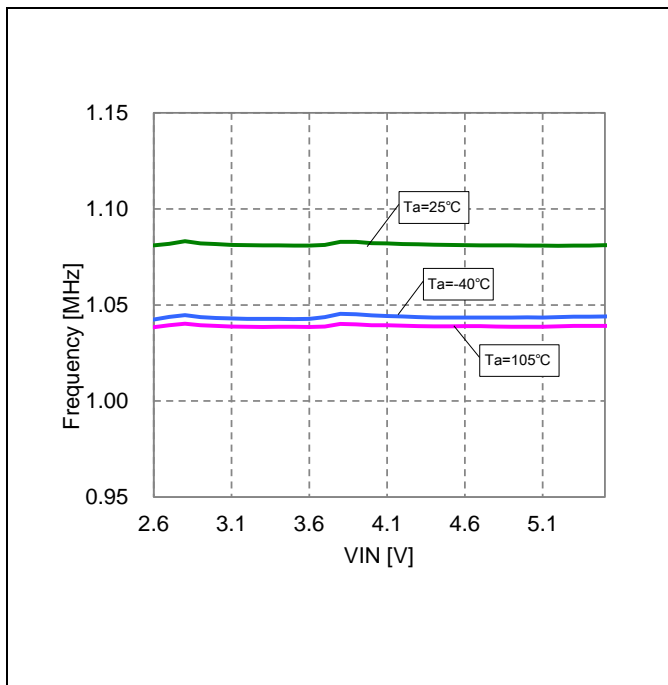


Figure 5. Switching Frequency (Dependent on input voltage)

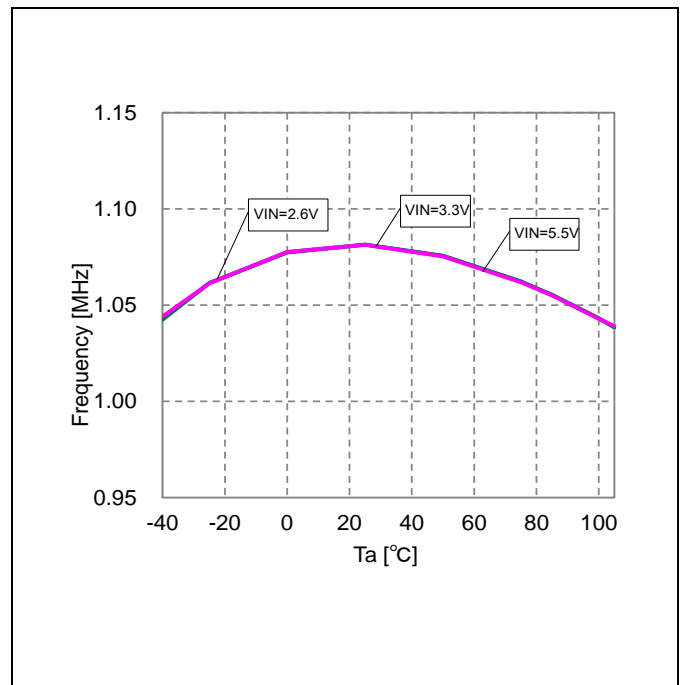


Figure 6. Switching Frequency (Dependent on temperature)

Typical Performance Curves - continued

(Unless otherwise specified VIN=3.3V, VDD=2.5V, AVDD=10.5V, VGH=18V, VGL=-6.0V, VCOM=5.25V and Ta=25°C)

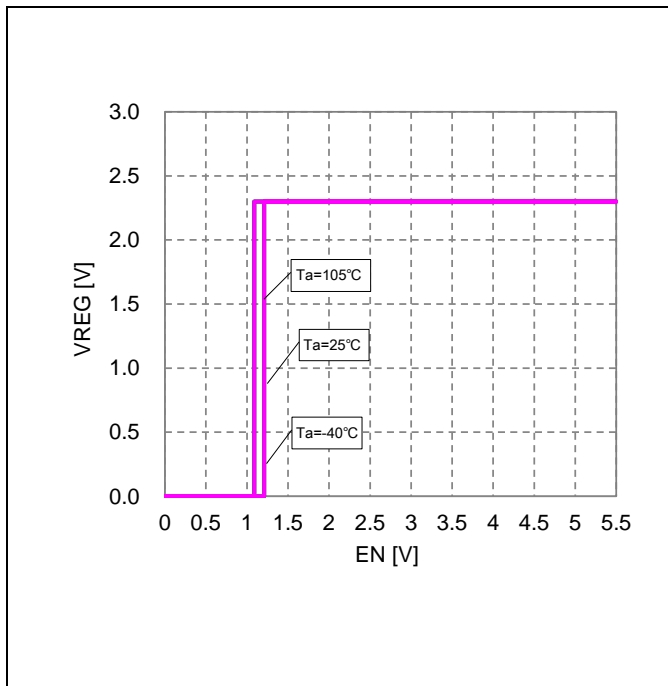


Figure 7. H/L threshold voltage (control signals)

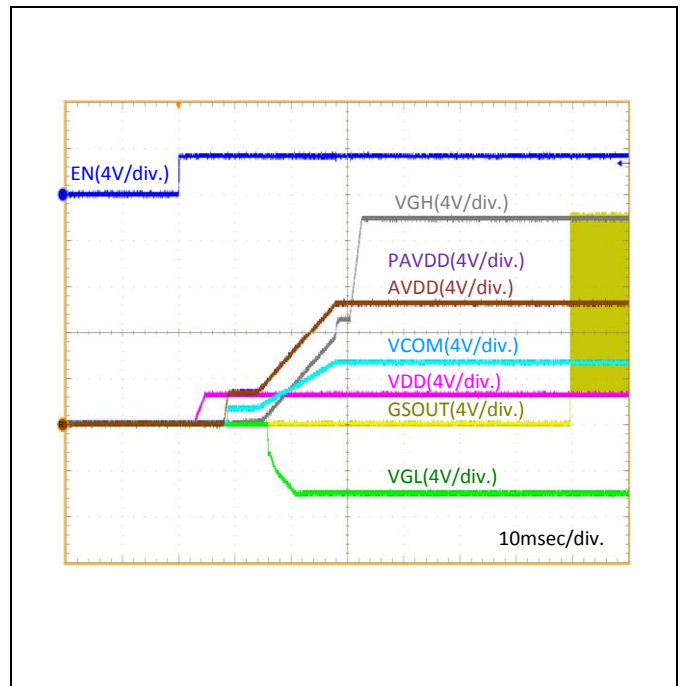


Figure 8. Power on waveform (when operated by EN control, Function select = PG)

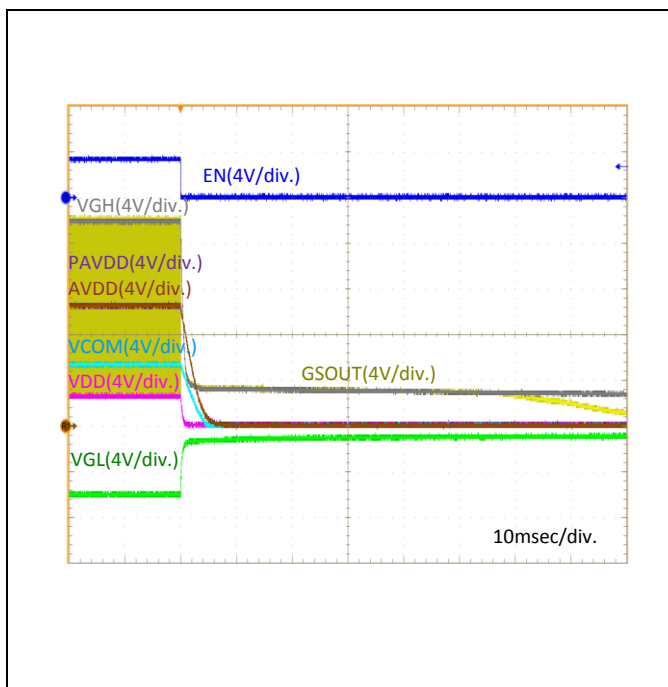


Figure 9. Power off waveform (when operated by EN control, Function select = PG)

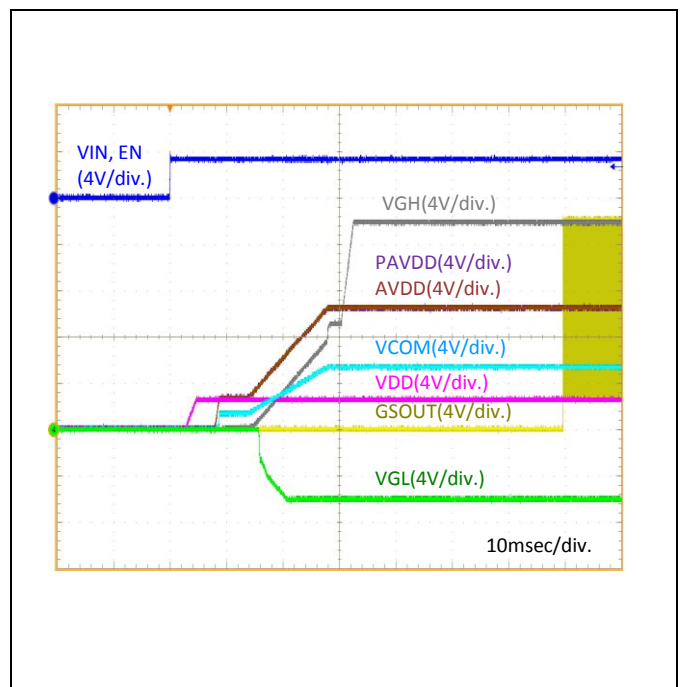


Figure 10. Power on waveform (when operated with EN=VCC, Function select = PG)

Typical Performance Curves - continued

(Unless otherwise specified VIN=3.3V, VDD=2.5V, AVDD=10.5V, VGH=18V, VGL=-6.0V, VCOM=5.25V and Ta=25°C)

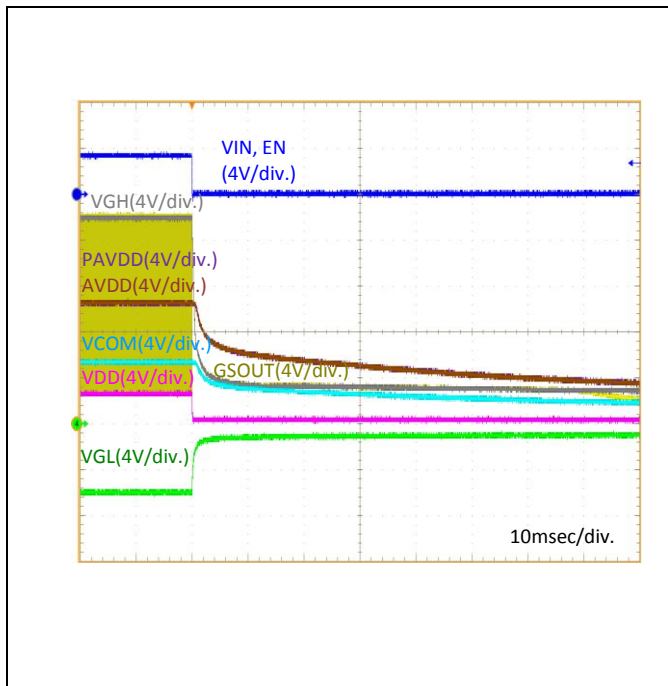


Figure 11. Power off waveform (when operated with EN=VCC, Function select = PG)

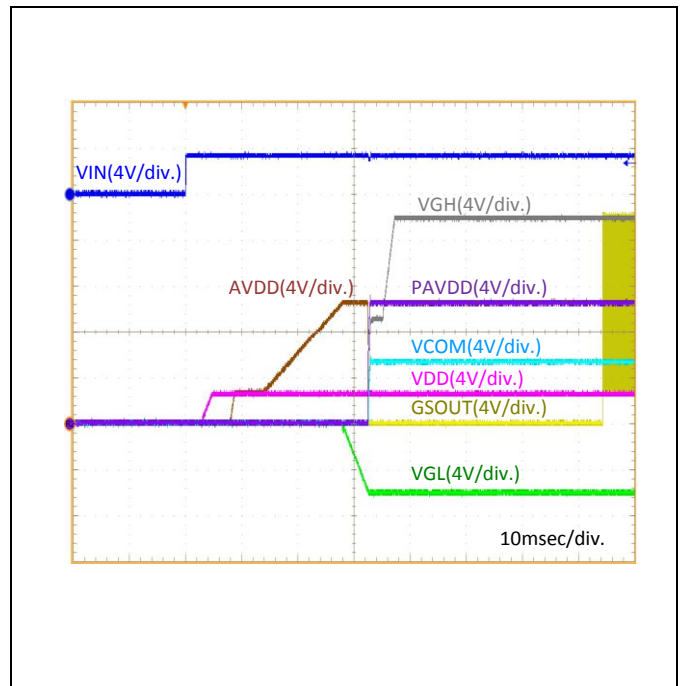


Figure 12. Power on waveform (when operated by EN control, Function select = LDSW)

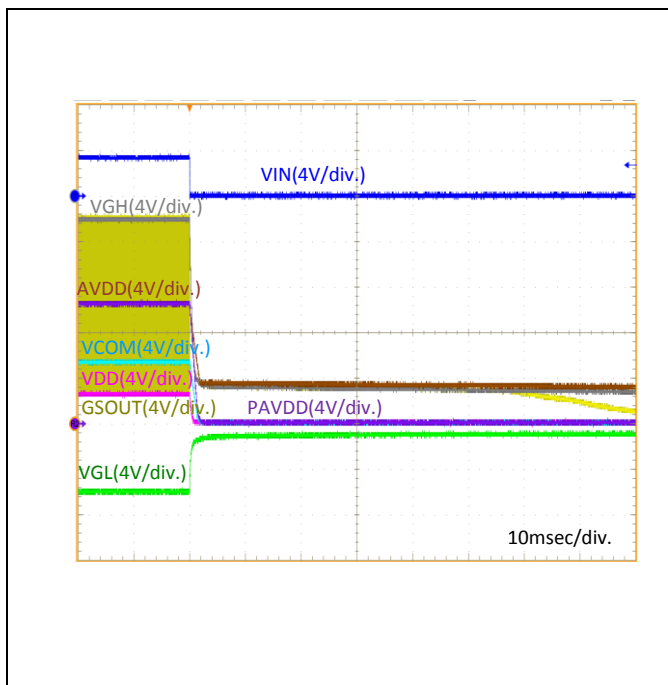


Figure 13. Power off waveform (when operated by EN control, Function select = LDSW)

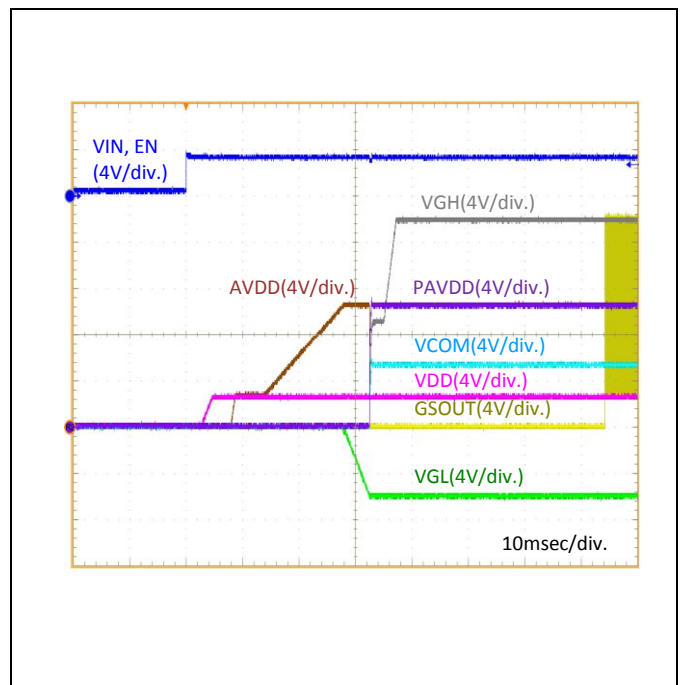


Figure 14. Power on waveform (when operated with EN=VCC, Function select = LDSW)

Typical Performance Curves - continued

(Unless otherwise specified VIN=3.3V, VDD=2.5V, AVDD=10.5V, VGH=18V, VGL=-6.0V, VCOM=5.25V and Ta=25°C)

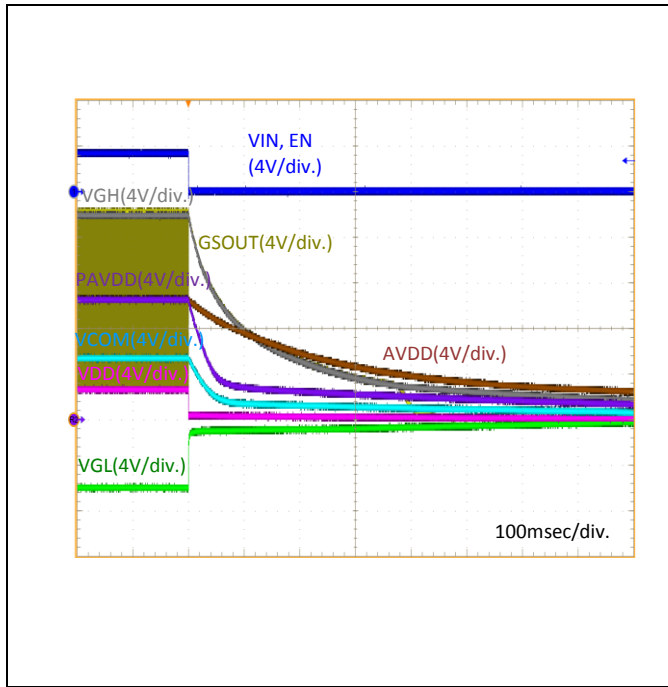


Figure 15. Power off waveform (when operated with EN=VCC, Function select = LDSW)

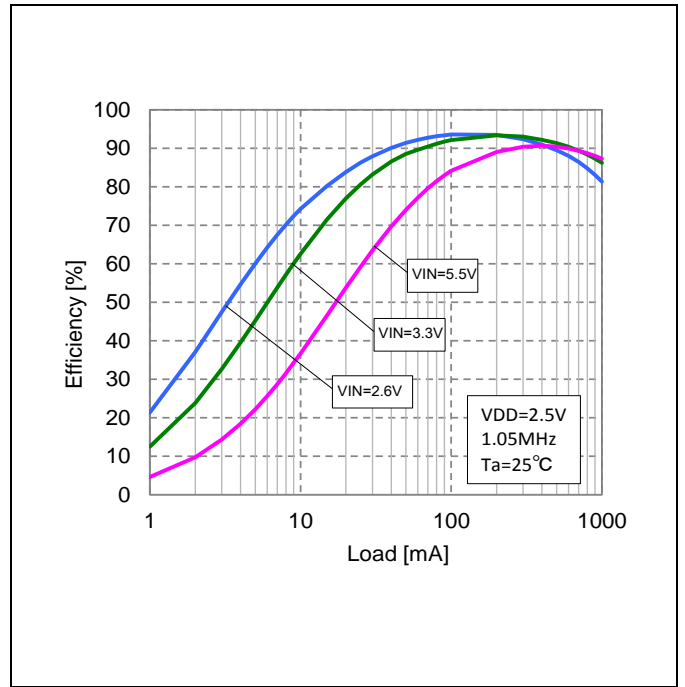


Figure 16. Efficiency (VDD DC/DC mode)

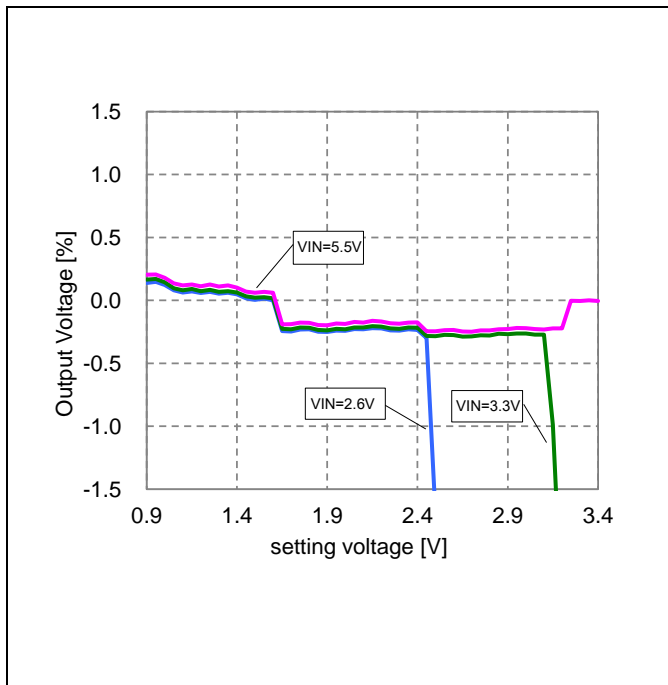


Figure 17. Output voltage accuracy (VDD DC/DC mode, dependent on input voltage)

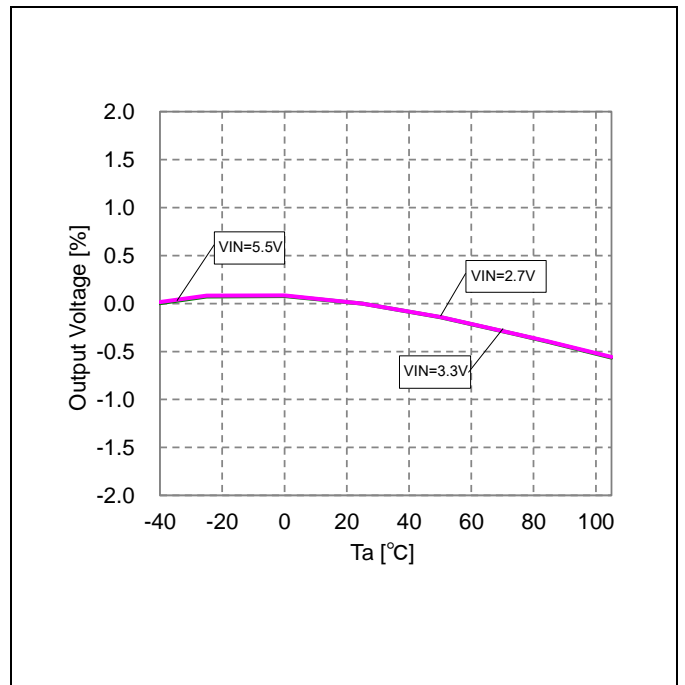


Figure 18. Output voltage accuracy (VDD DC/DC mode, dependent on temperature)

Typical Performance Curves - continued

(Unless otherwise specified VIN=3.3V, VDD=2.5V, AVDD=10.5V, VGH=18V, VGL=-6.0V, VCOM=5.25V and Ta=25°C)

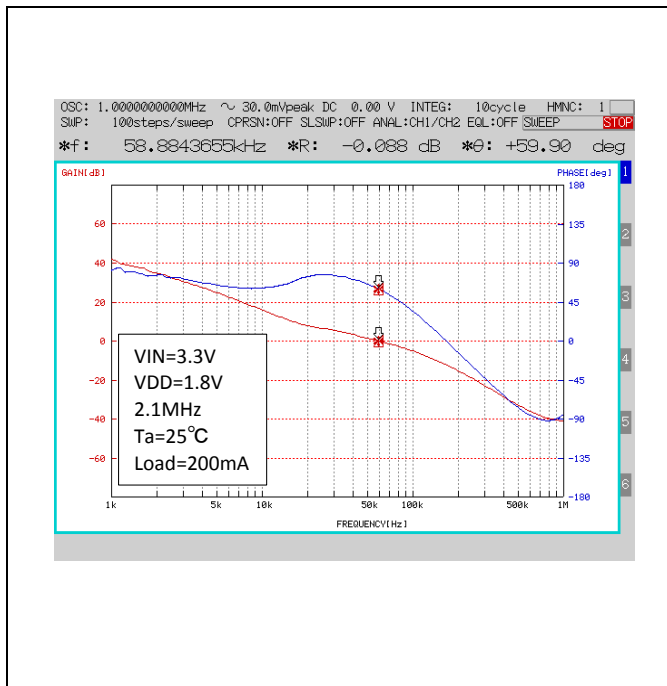


Figure 19. Phase margin (VDD DC/DC mode)

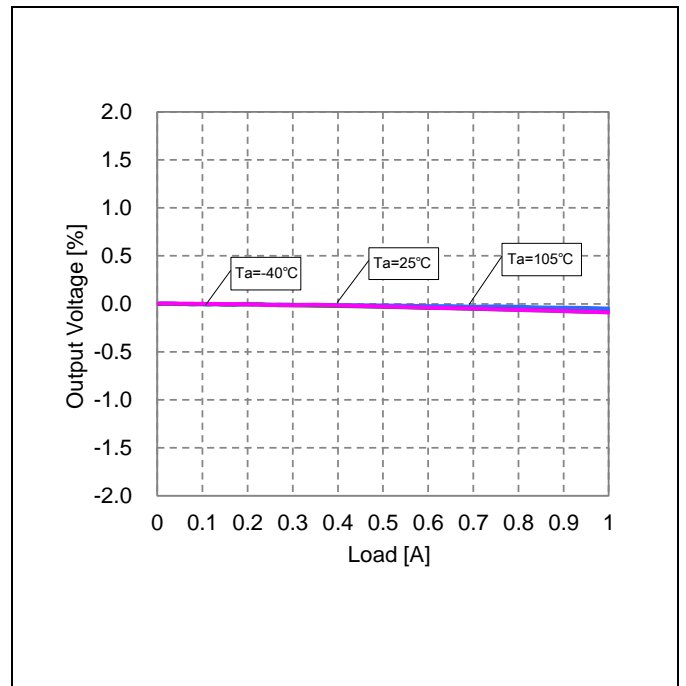


Figure 20. Load Regulation (VDD DC/DC mode)

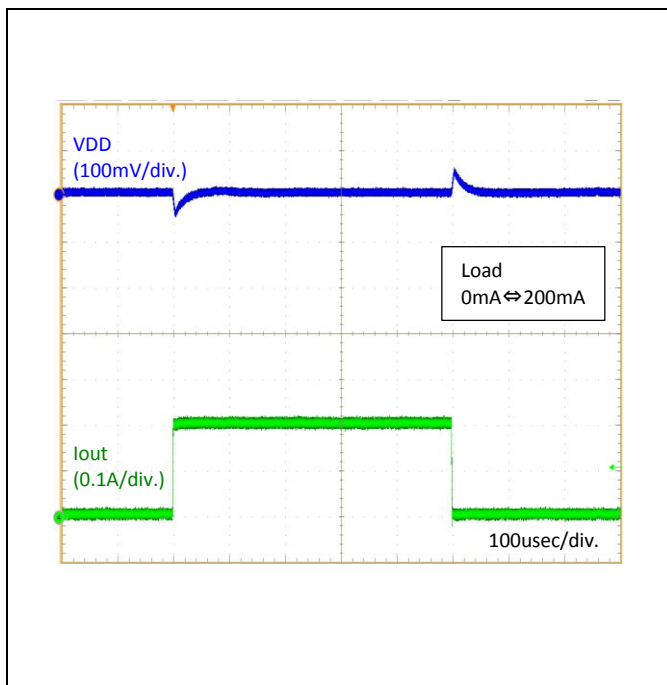


Figure 21. Load Transient (VDD DC/DC mode)

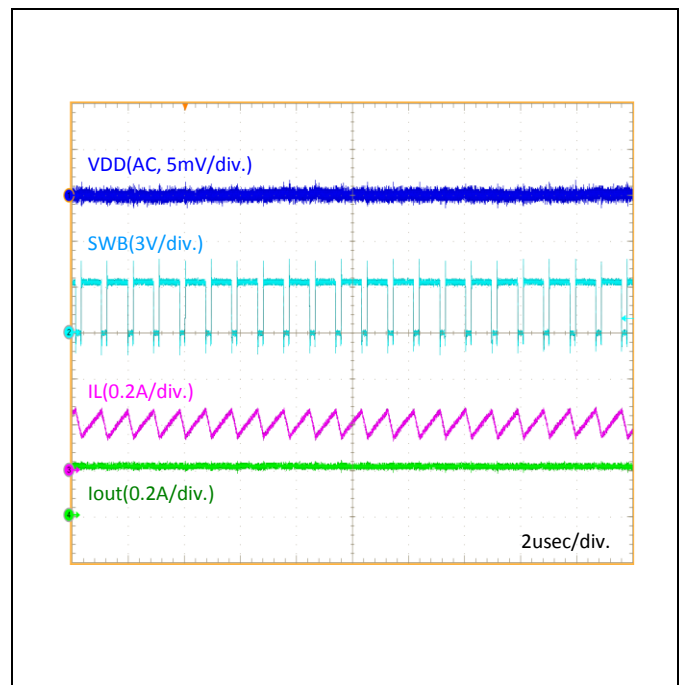


Figure 22. Switching waveform (VDD DC/DC mode)

Typical Performance Curves - continued

(Unless otherwise specified VIN=3.3V, VDD=2.5V, AVDD=10.5V, VGH=18V, VGL=-6.0V, VCOM=5.25V and Ta=25°C)

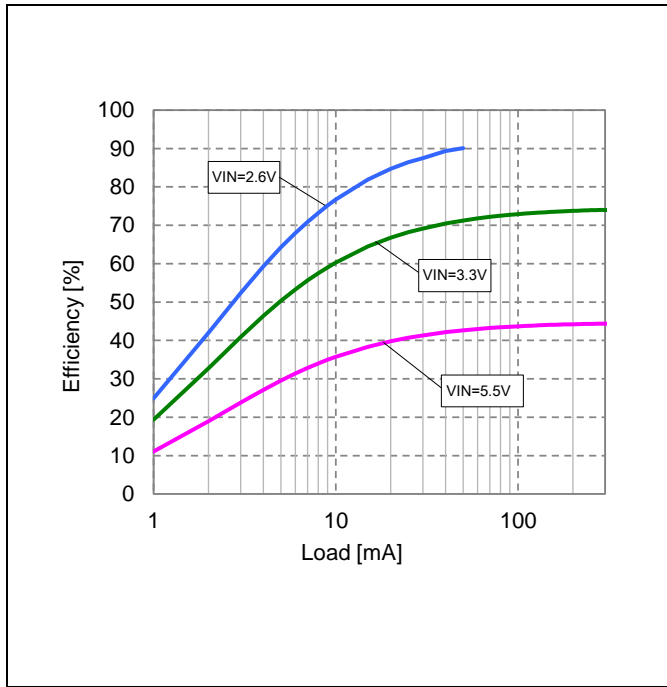


Figure 23. Efficiency (VDD LDO mode)

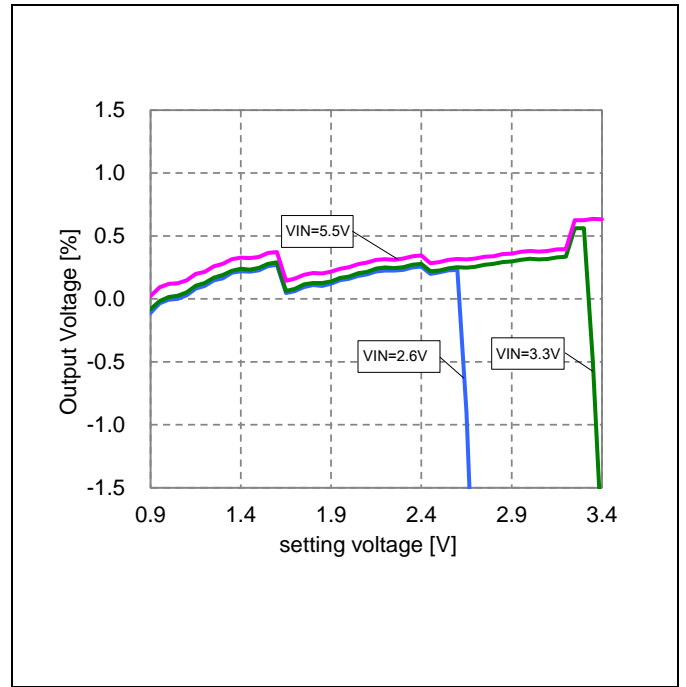


Figure 24. Output voltage accuracy (VDD LDO mode, dependent on input voltage)

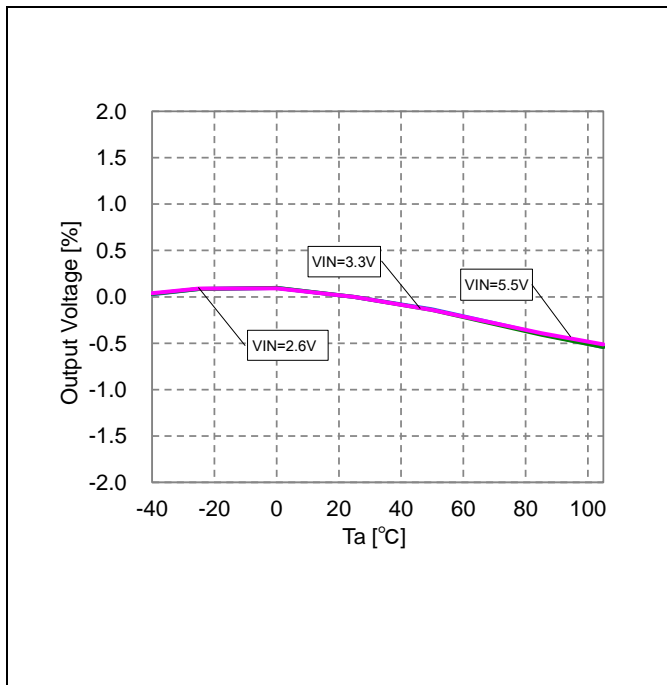


Figure 25. Output voltage accuracy (VDD LDO mode, dependent on temperature)

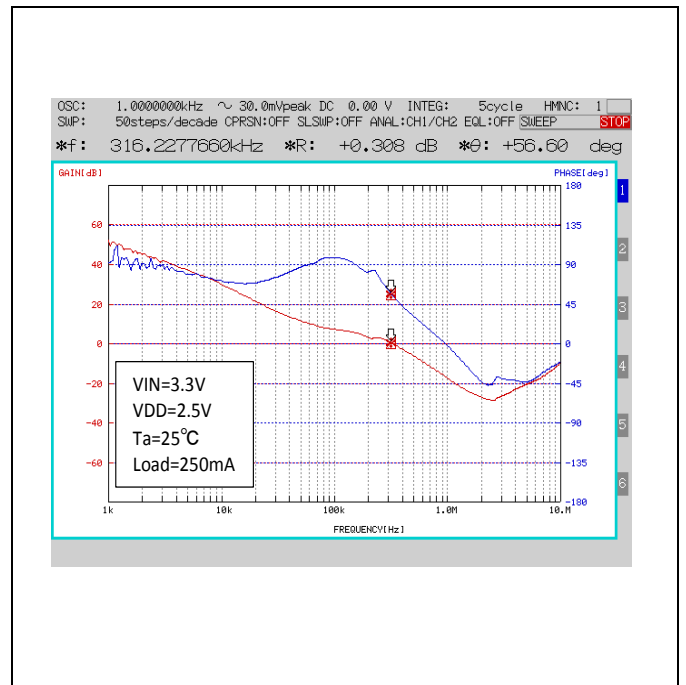


Figure 26. Phase margin (VDD LDO mode)

Typical Performance Curves - continued

(Unless otherwise specified VIN=3.3V, VDD=2.5V, AVDD=10.5V, VGH=18V, VGL=-6.0V, VCOM=5.25V and Ta=25°C)

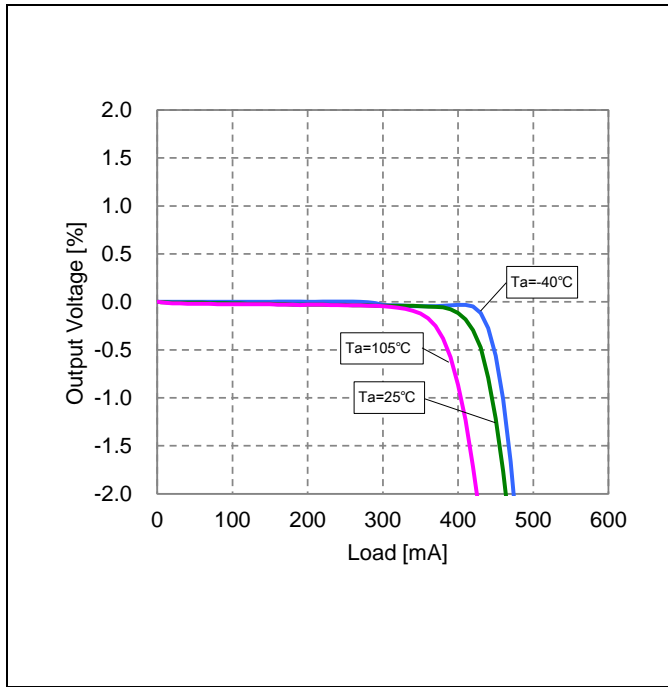


Figure 27. Load Regulation (VDD LDO mode)

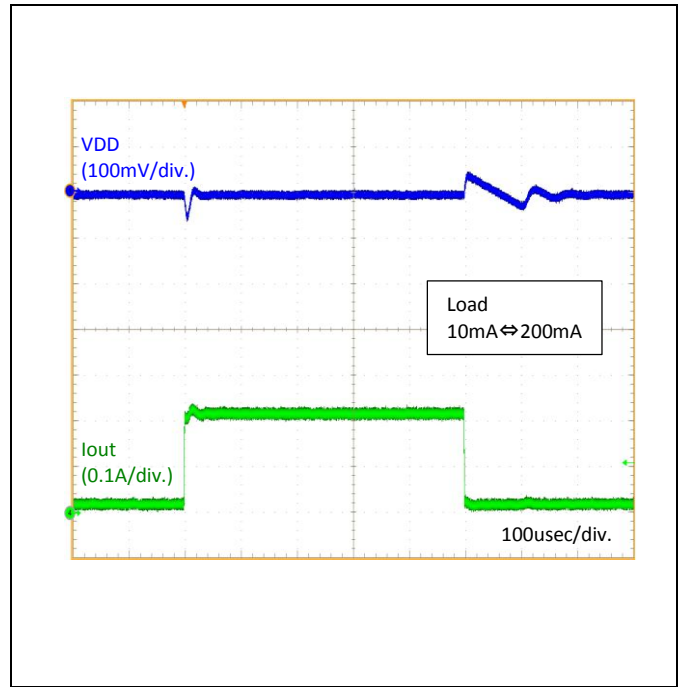


Figure 28. Load Transient (VDD LDO mode)

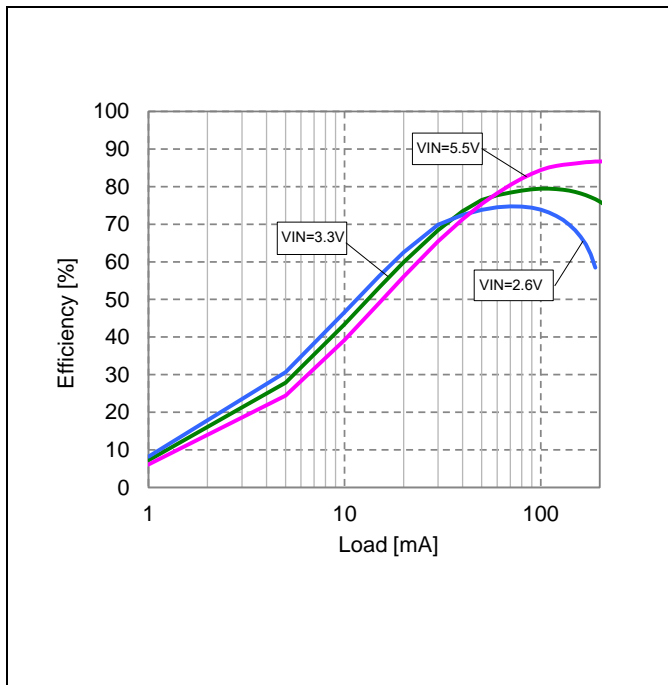


Figure 29. Efficiency (AVDD)

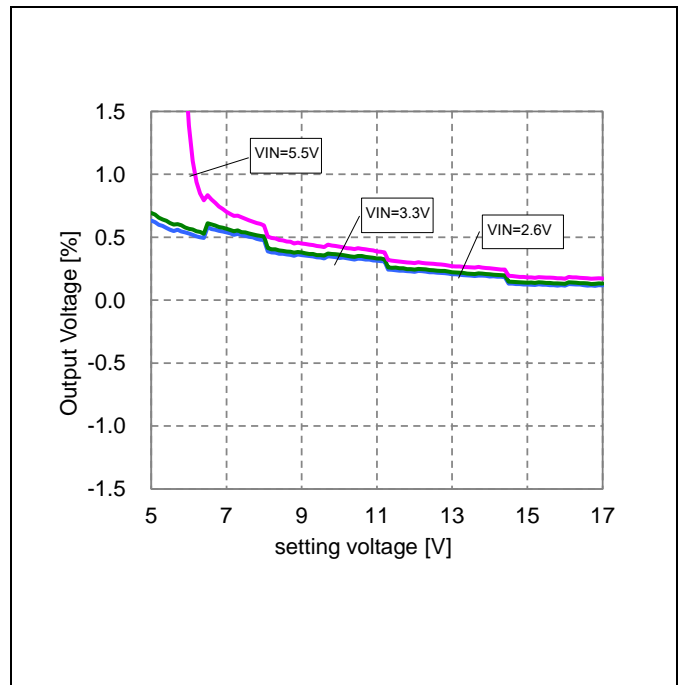


Figure 30. Output voltage accuracy (AVDD, dependent on input voltage)

Typical Performance Curves - continued

(Unless otherwise specified VIN=3.3V, VDD=2.5V, AVDD=10.5V, VGH=18V, VGL=-6.0V, VCOM=5.25V and Ta=25°C)

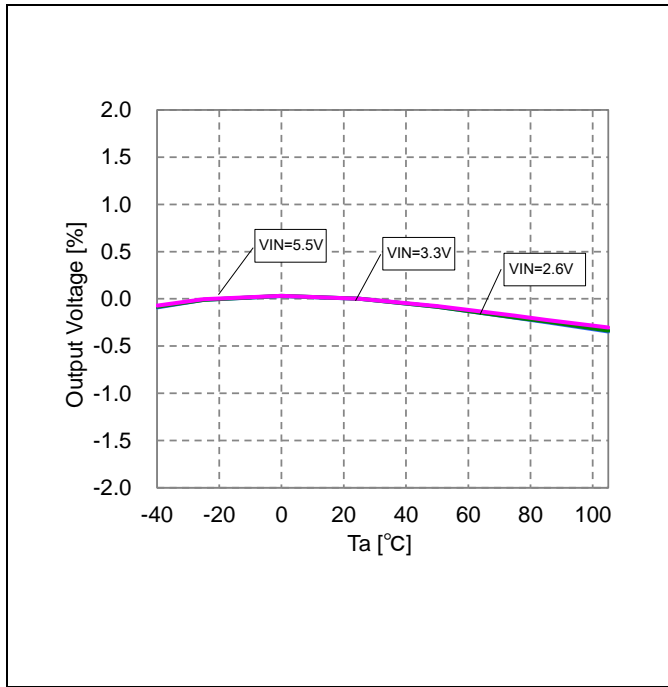


Figure 31. Output voltage accuracy (AVDD, dependent on temperature)

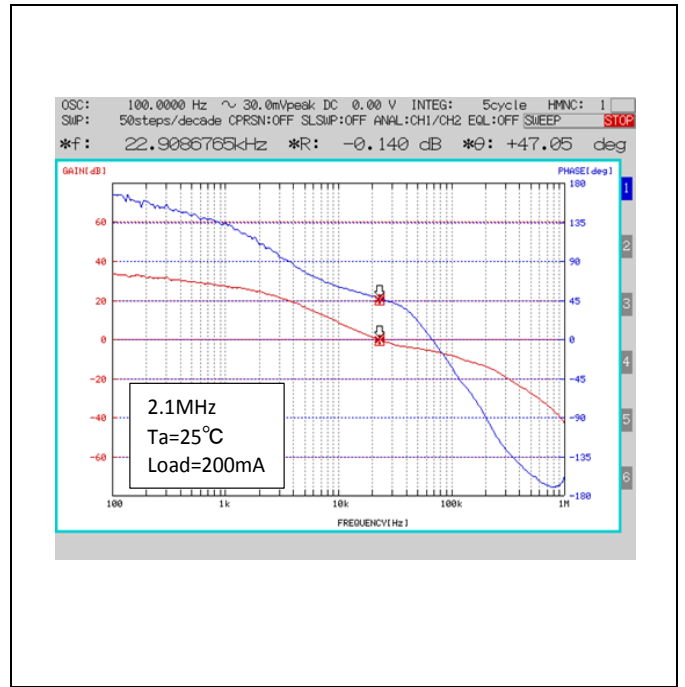


Figure 32. Phase margin (AVDD)

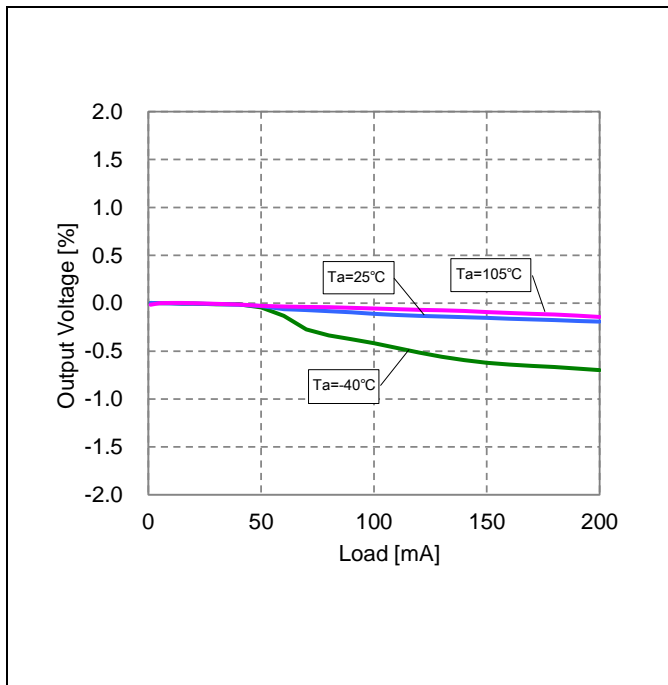


Figure 33. Load Regulation (AVDD)

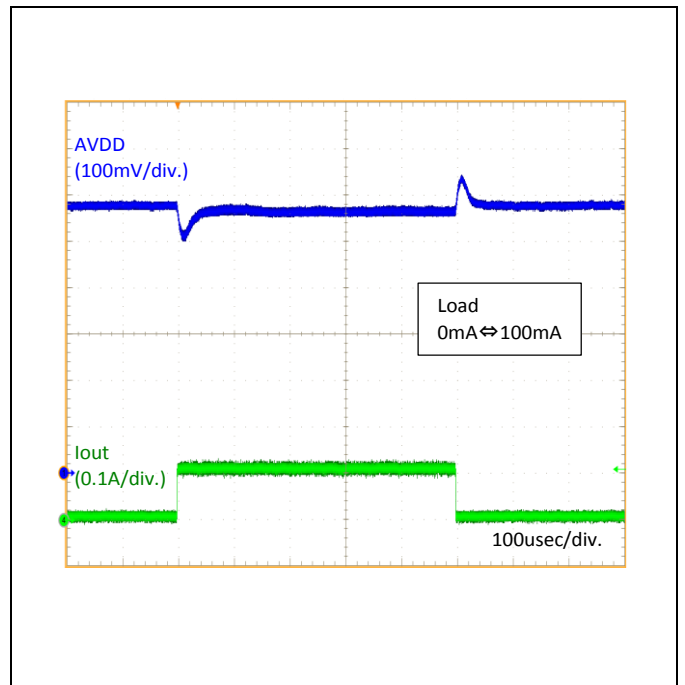


Figure 34. Load Transient (AVDD)

Typical Performance Curves - continued

(Unless otherwise specified VIN=3.3V, VDD=2.5V, AVDD=10.5V, VGH=18V, VGL=-6.0V, VCOM=5.25V and Ta=25°C)

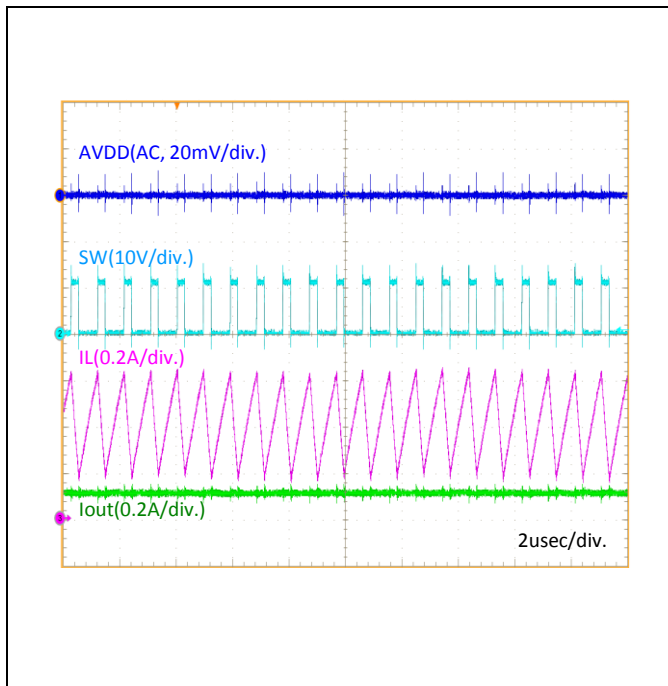


Figure 35. Switching waveform (AVDD)

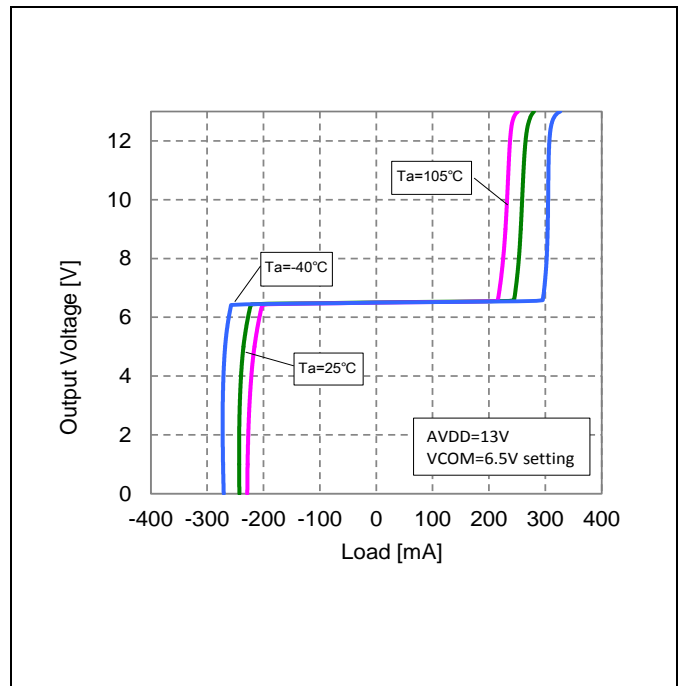


Figure 36. Output Current (VCOM)

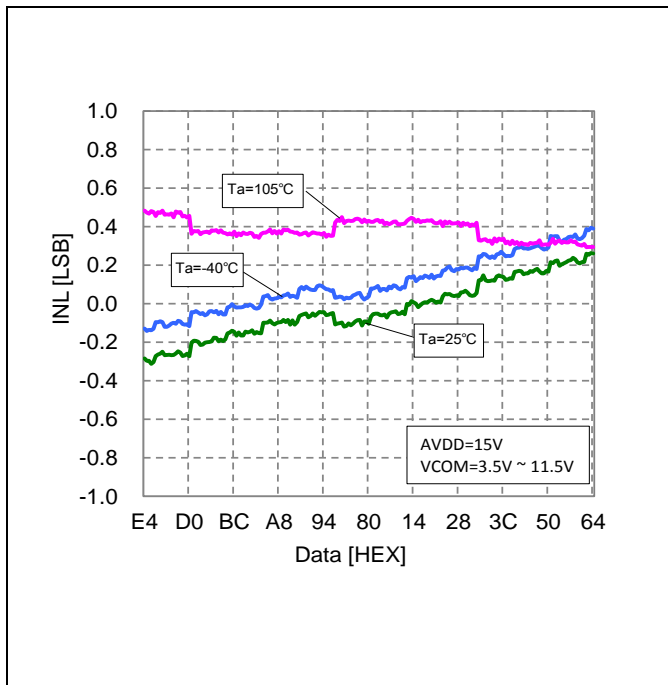


Figure 37. DAC INL (VCOM)

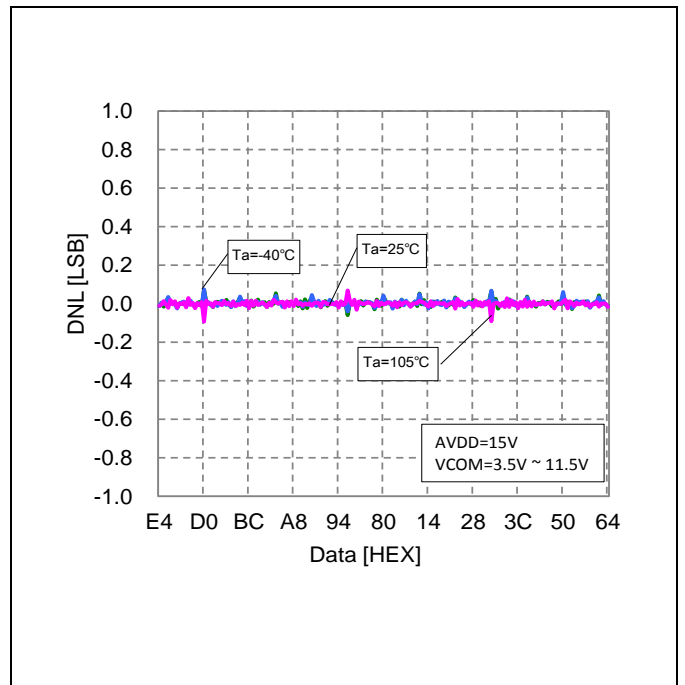


Figure 38. DAC DNL (VCOM)

Typical Performance Curves - continued

(Unless otherwise specified VIN=3.3V, VDD=2.5V, AVDD=10.5V, VGH=18V, VGL=-6.0V, VCOM=5.25V and Ta=25°C)

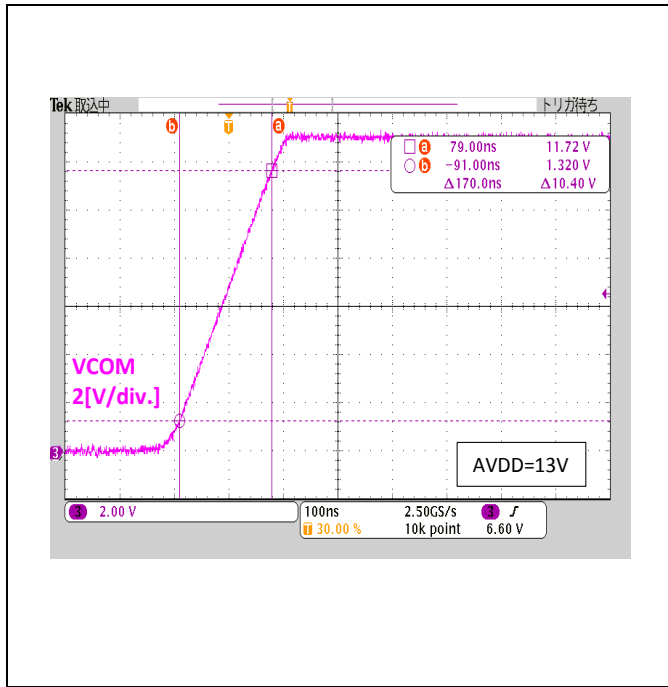


Figure 39. Slew Rate (VCOM, rise)

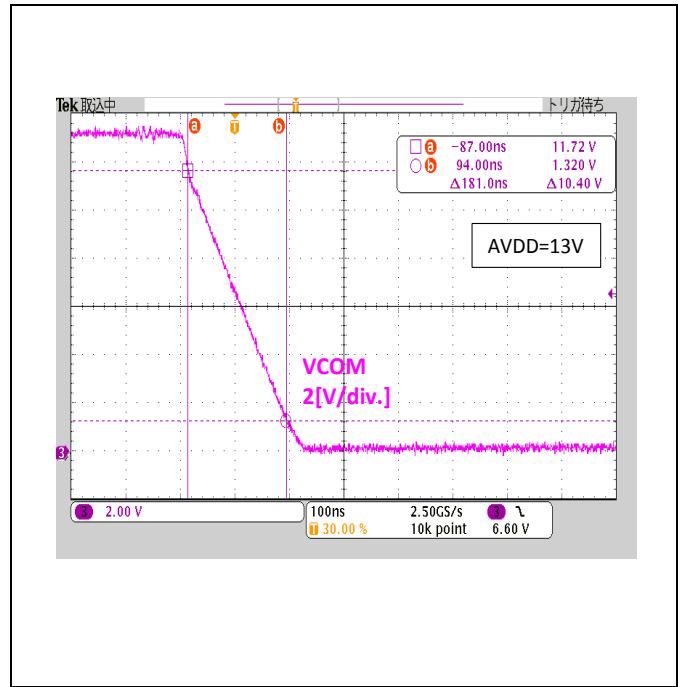


Figure 40. Slew Rate (VCOM, fall)

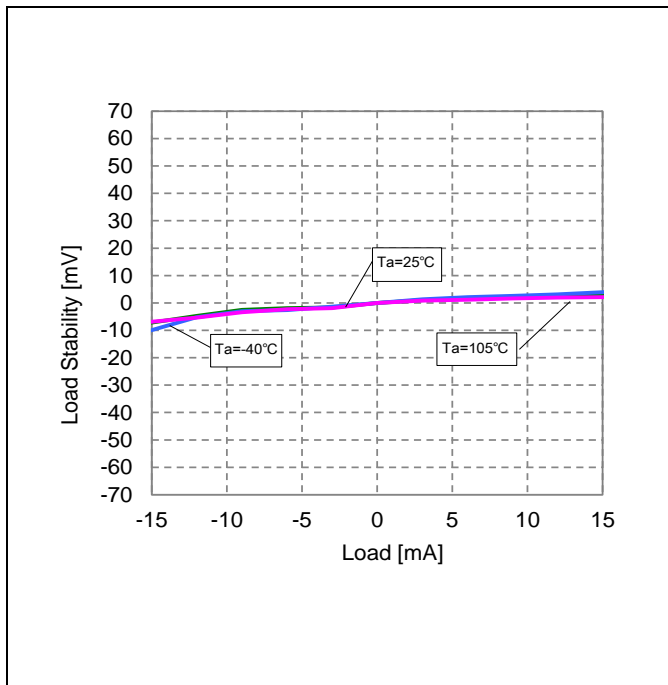


Figure 41. Load Regulation (VCOM)

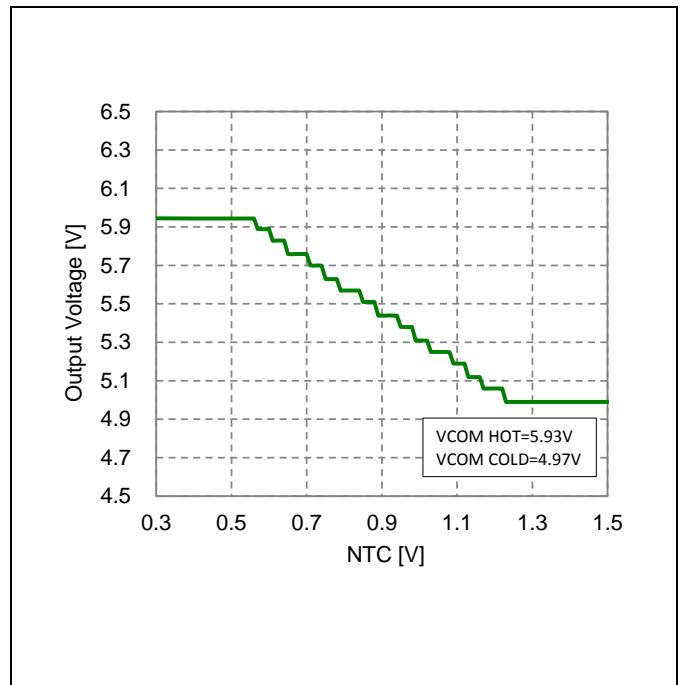


Figure 42. NTC Function (VCOM)

Typical Performance Curves - continued

(Unless otherwise specified VIN=3.3V, VDD=2.5V, AVDD=10.5V, VGH=18V, VGL=-6.0V, VCOM=5.25V and Ta=25°C)

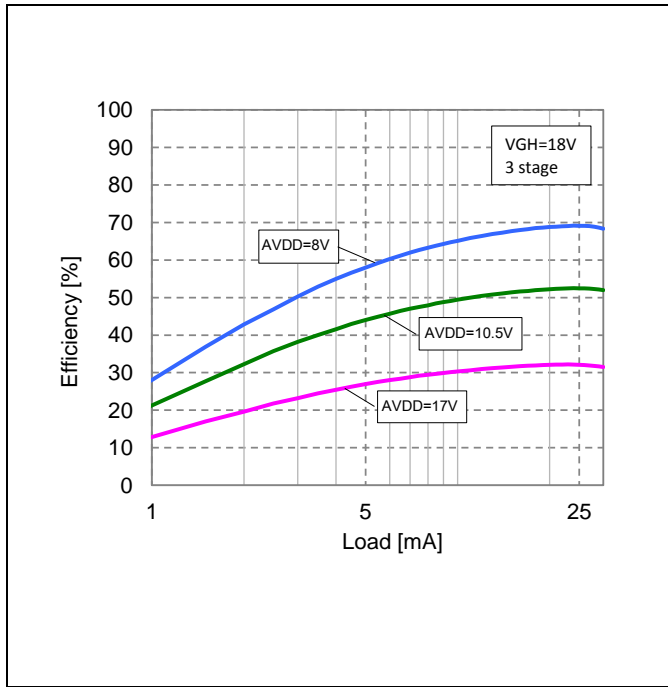


Figure 43. Efficiency (VGH)

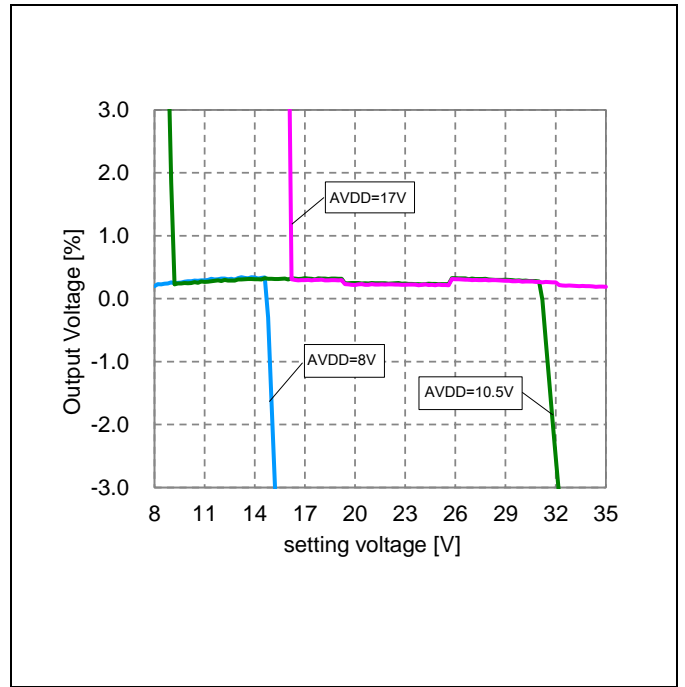


Figure 44. Output voltage accuracy (VGH, dependent on input voltage)

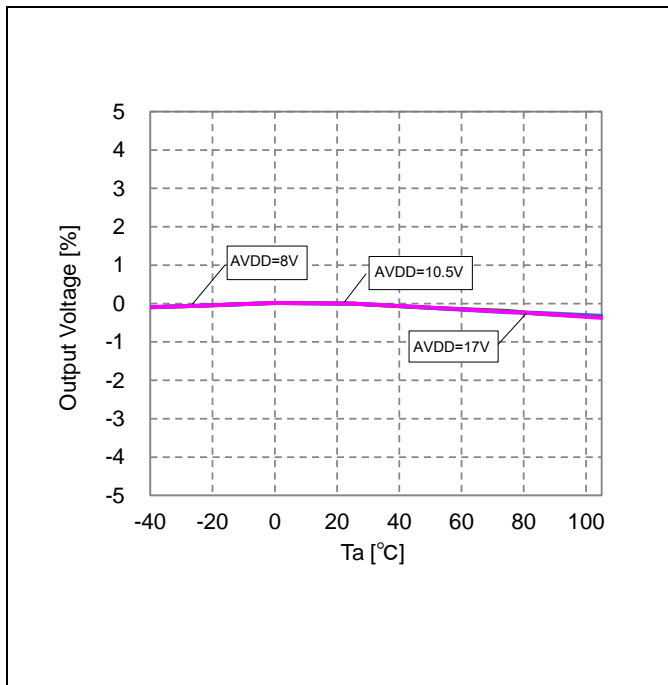


Figure 45. Output voltage accuracy (VGH, dependent on temperature)

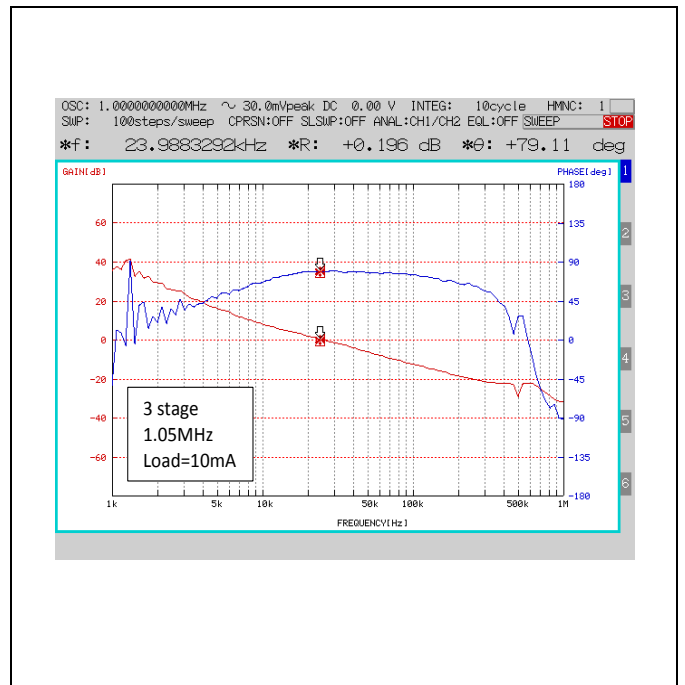


Figure 46. Phase margin (VGH)

Typical Performance Curves - continued

(Unless otherwise specified VIN=3.3V, VDD=2.5V, AVDD=10.5V, VGH=18V, VGL=-6.0V, VCOM=5.25V and Ta=25°C)

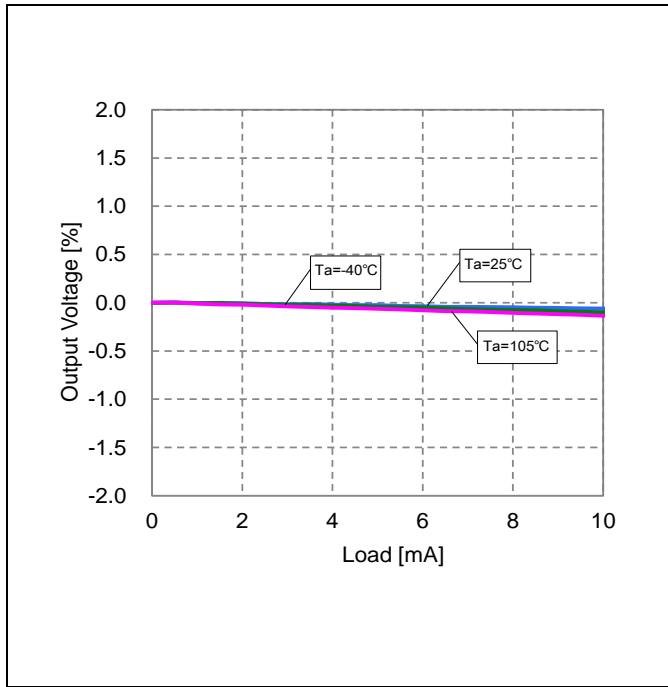


Figure 47. Load Regulation (VGH)

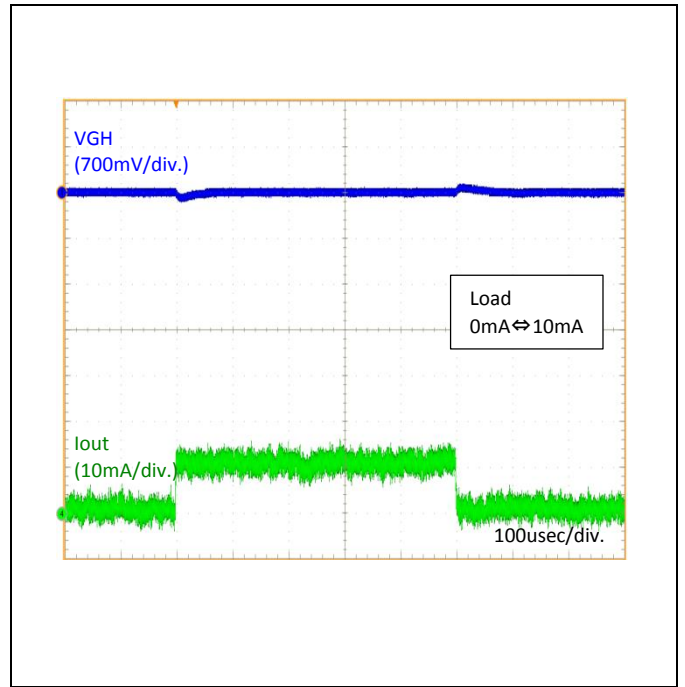


Figure 48. Load Transient (VGH)

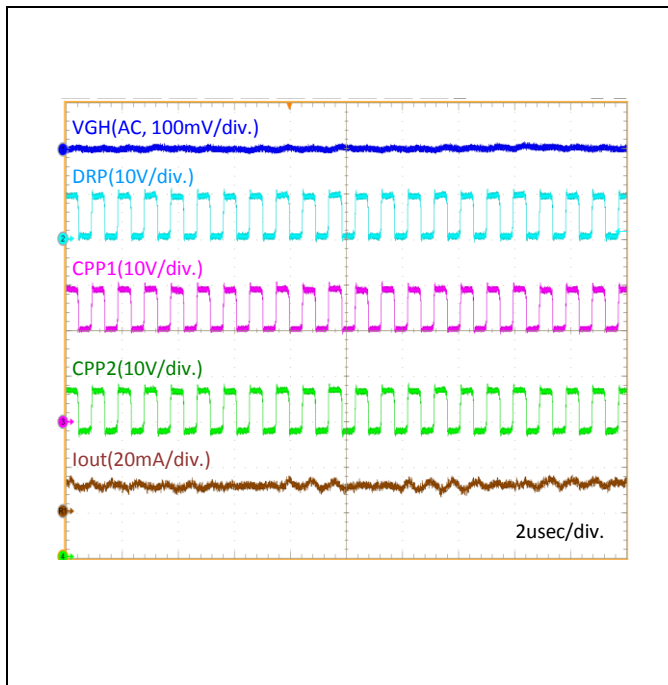


Figure 49. Switching waveform (VGH)

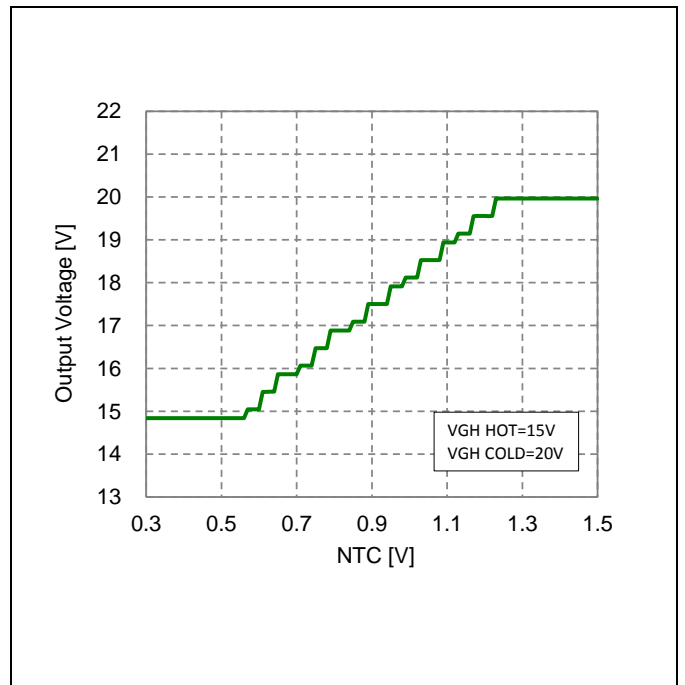


Figure 50. NTC Function (VGH)

Typical Performance Curves - continued

(Unless otherwise specified VIN=3.3V, VDD=2.5V, AVDD=10.5V, VGH=18V, VGL=-6.0V, VCOM=5.25V and Ta=25°C)

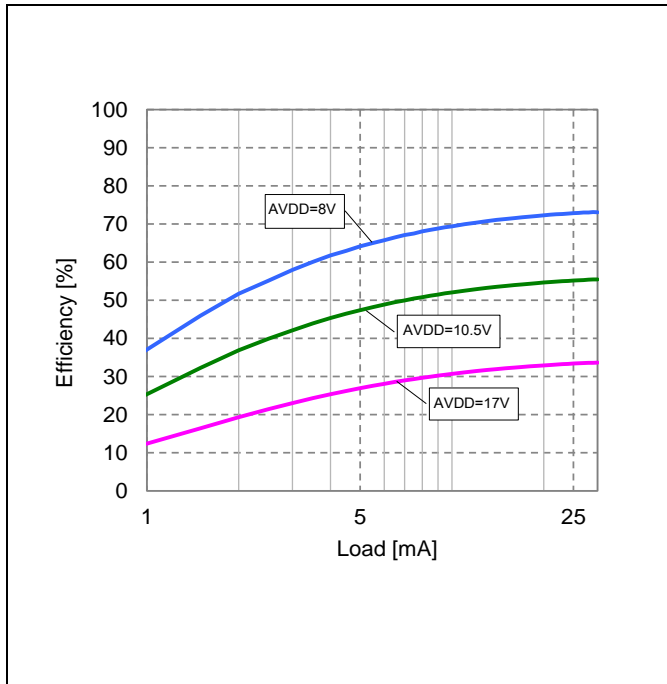


Figure 51. Efficiency (VGL)

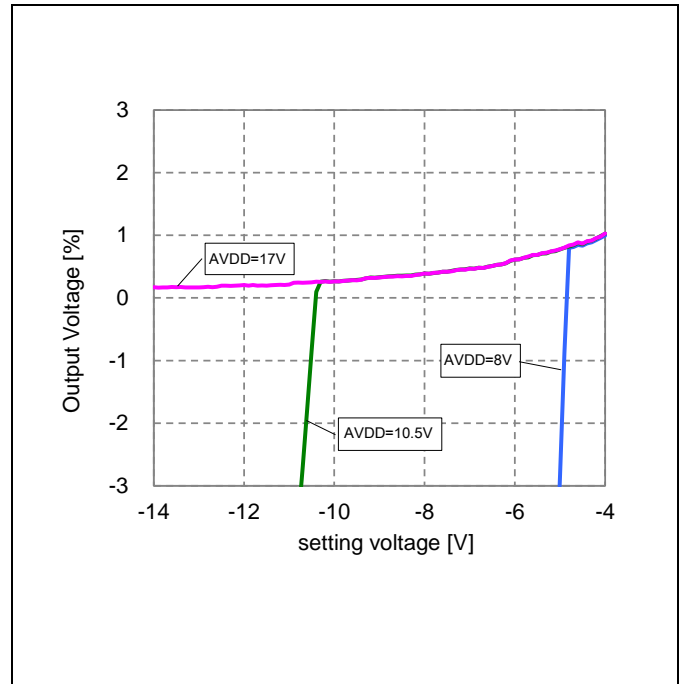


Figure 52. Output voltage accuracy (VGL, dependent on input voltage)

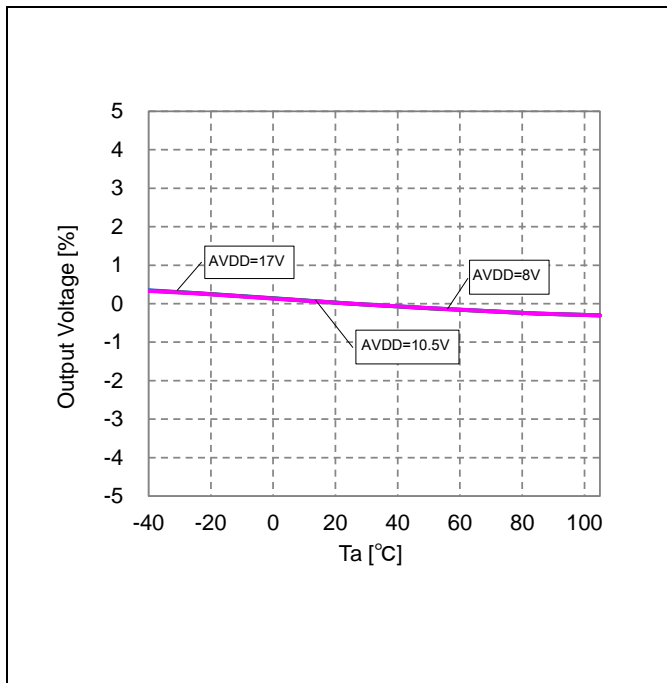


Figure 53. Output voltage accuracy (VGL, dependent on temperature)

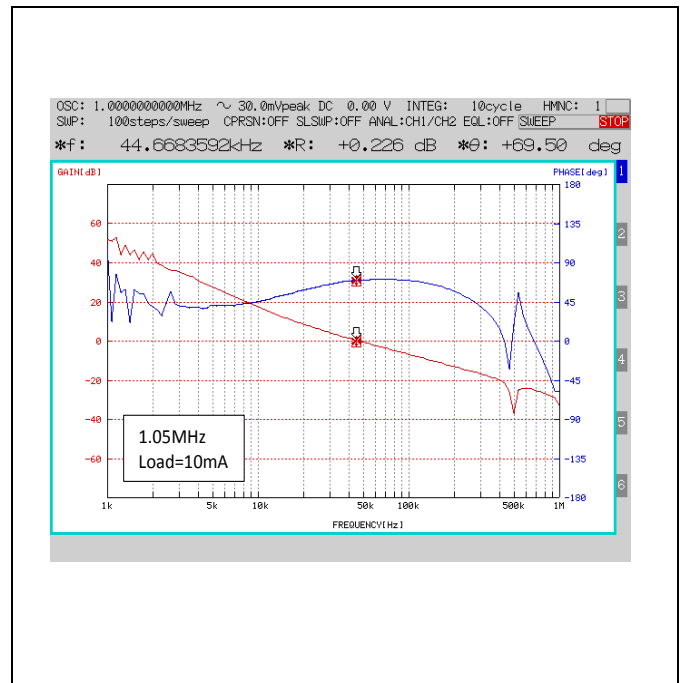


Figure 54. Phase margin (VGL)

Typical Performance Curves - continued

(Unless otherwise specified VIN=3.3V, VDD=2.5V, AVDD=10.5V, VGH=18V, VGL=-6.0V, VCOM=5.25V and Ta=25°C)

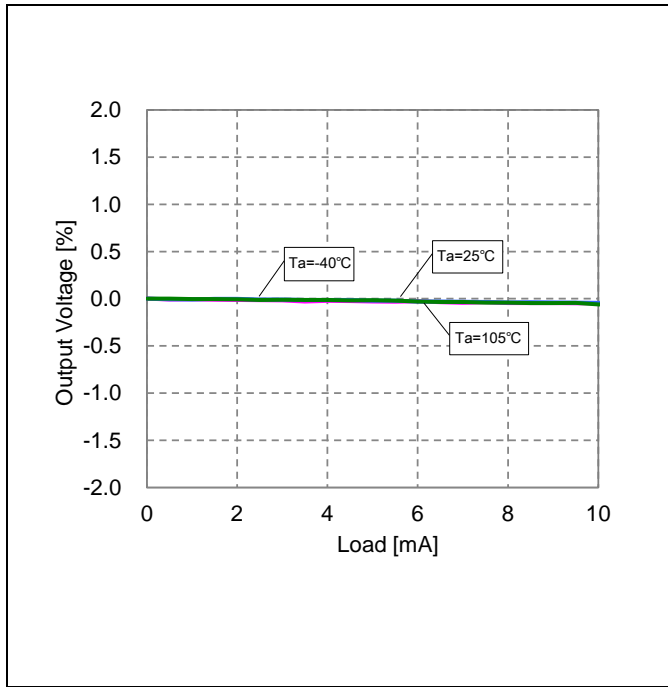


Figure 55. Load Regulation (VGL)

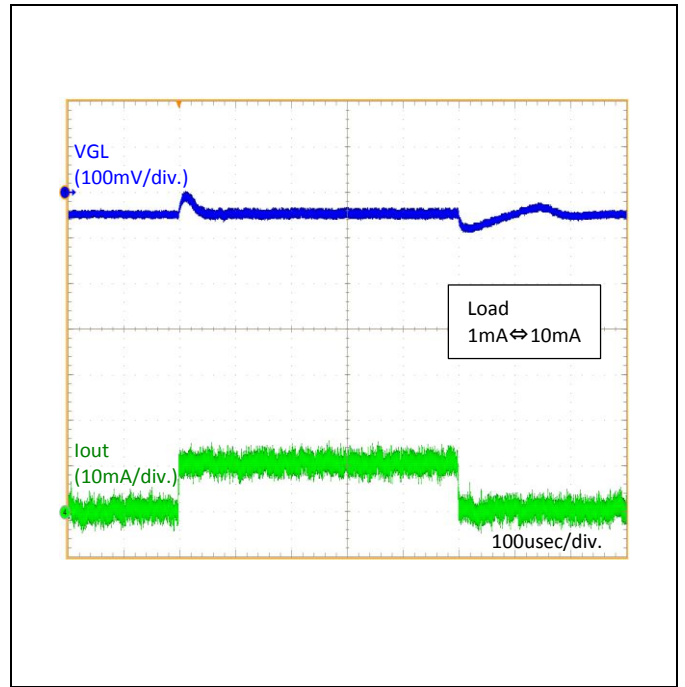


Figure 56. Load Transient (VGL)

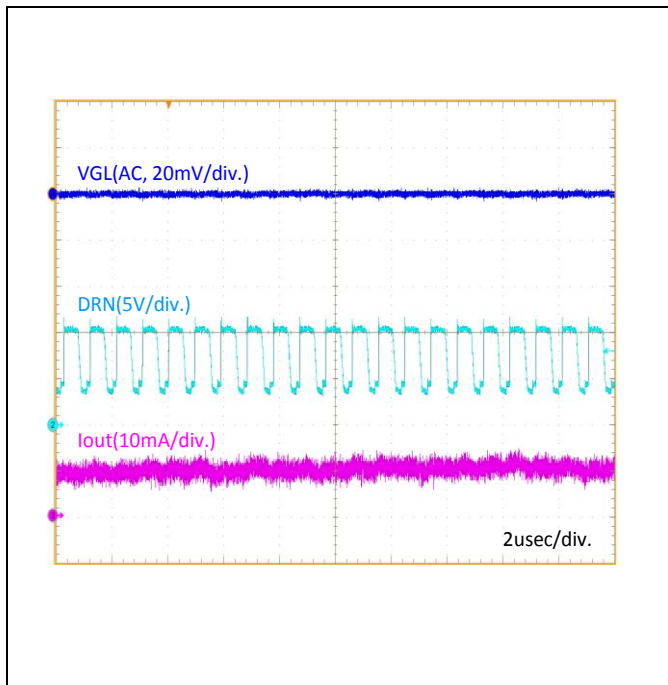


Figure 57. Switching waveform (VGL)

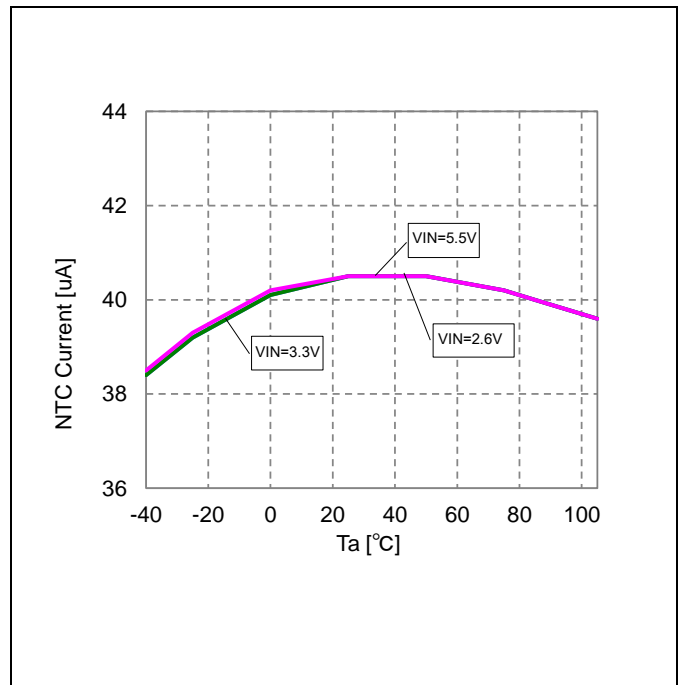


Figure 58. NTC current

Typical Performance Curves - continued

(Unless otherwise specified VIN=3.3V, VDD=2.5V, AVDD=10.5V, VGH=18V, VGL=-6.0V, VCOM=5.25V and Ta=25°C)

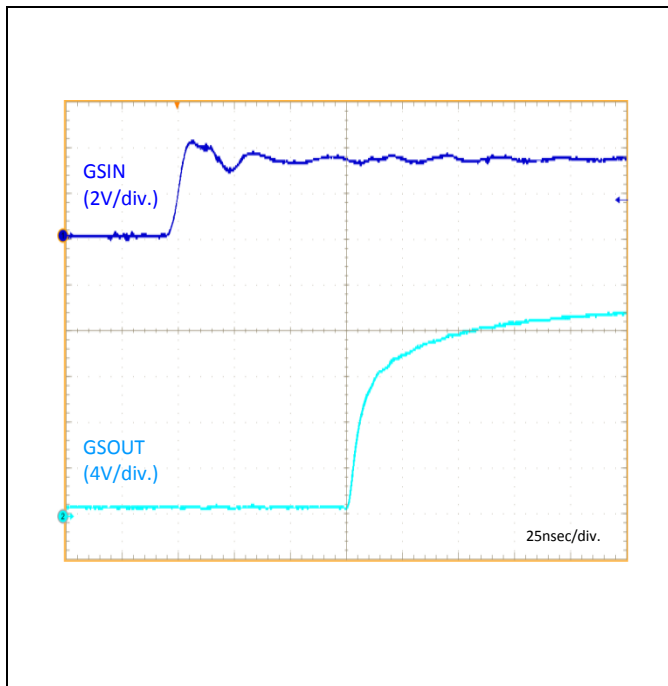


Figure 59. Propagation Delay (GPM, rise)

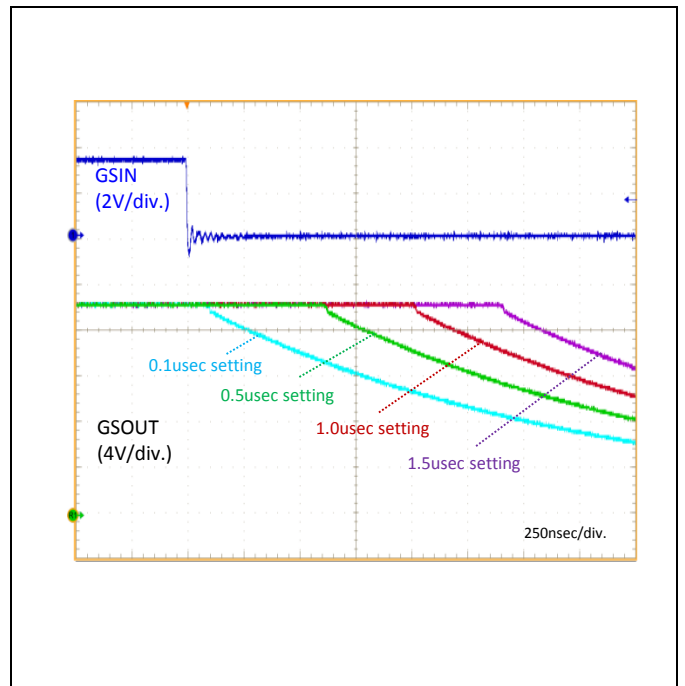


Figure 60. Propagation Delay (GPM, fall)

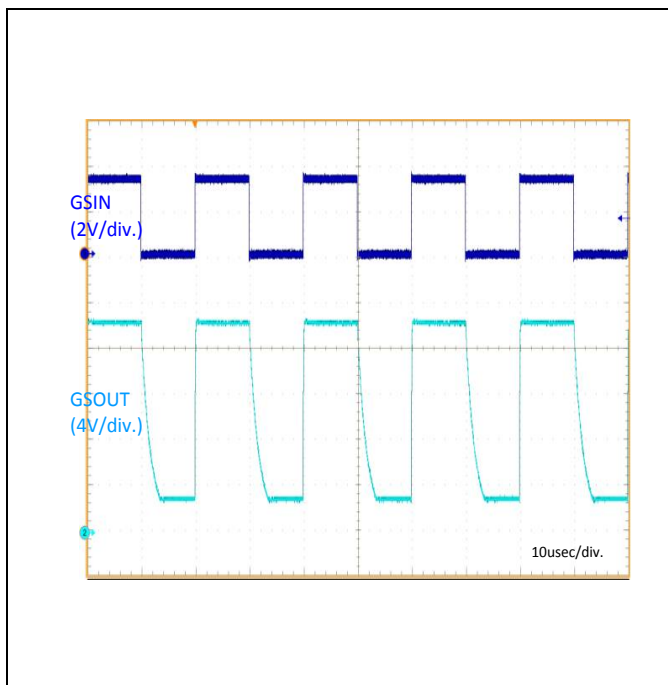
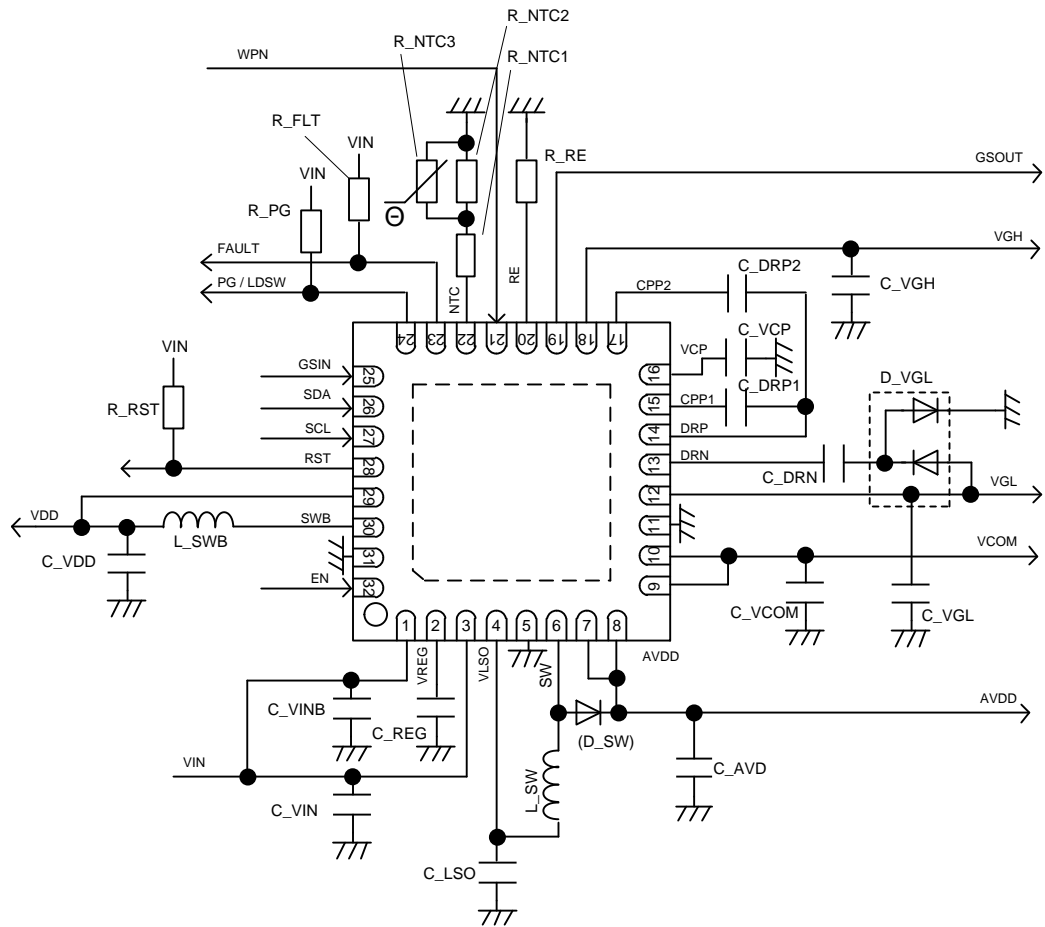


Figure 61. Waveform (GPM)

Application Example 1 (when operated by EN control)



Application Example 1 (when operated by EN control) – continued

Application circuit components list

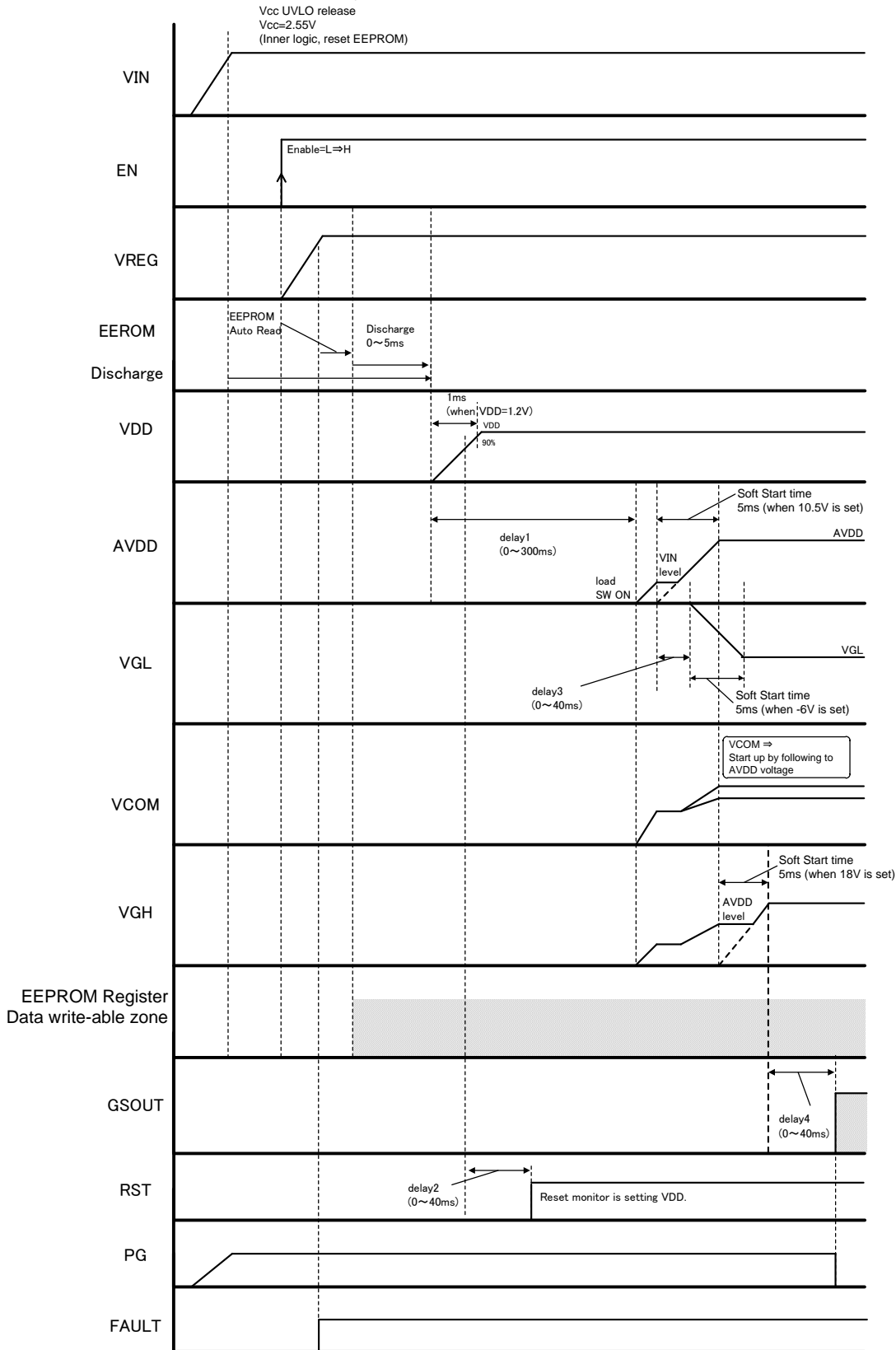
(Unless otherwise specified VIN=3.3V, VDD=2.5V, AVDD=10.5V, VGH=18V, VGL=-6.0V, VCOM=5.25V)

Parts name	Value			Unit	Company	Parts Number	Comment
	Min (Note 1)	Typ	Max				
C_VIN	10	10 x 2	-	μF	MURATA	GRT21BC81A106KE01	
C_VINB	4.7	10	-	μF	MURATA	GRT21BC81A106KE01	No need @ VDD LDO mode
C_REG	0.047	0.1	0.47	μF	MURATA	GRT188R71H104KE13	
C_LSO	10	10 x 2	-	μF	MURATA	GRT21BC81A106KE01	
C_AVD	5.0	10 x 3	10 x 6	μF	MURATA	GRT31CC81E106KE01	See p.49 in detail.
L_SW	-	4.7	-	μH	TDK	LTF5022T-4R7N2R0-H	See p.49 in detail.
D_SW	-	-	-	-	ROHM	(RB060M-30DD)	Please insert D_SW when improving the efficiency is necessary.
C_VDD	10	10 x 2	47	μF	MURATA	GRT21BC81A106KE01	
L_SWB	-	4.7	-	μH	TDK	LTF5022T-4R7N2R0-H	
C_VCOM	-	-	-	μF	MURATA	-	
C_VGL	0.47	1.0	4.7	μF	MURATA	GRT21BC81E105KE13	
C_DRN	-	0.1	-	μF	MURATA	GRT188R71H104KE13	
D_VGL		-		-	ROHM	RB558WFH	
C_VGH	0.47	2.2	4.7	μF	MURATA	GRT21BC8YA225KE13	
C_CPP1	-	0.1	-	μF	MURATA	GRT188R71H104KE13	
C_VCP	-	1.0	-	μF	MURATA	GRT188C81E105KE13	
C_CPP2	-	0.1	-	μF	MURATA	GRT188R71H104KE13	
R_RE	0.2	2.0	-	kΩ	ROHM	MCR03	
R_NTC1	-	4.7	-	kΩ	ROHM	MCR03	
R_NTC2	-	33	-	kΩ	ROHM	MCR03	
R_NTC3	-	10	-	kΩ	MURATA	NCU18XH103F6SRB	
R_FLT	47	100	200	kΩ	ROHM	MCR03	
R_PG	47	100	200	kΩ	ROHM	MCR03	
R_RST	47	100	200	kΩ	ROHM	MCR03	

(Note 1) Please set in consideration of temperature properties and DC bias properties not to become less than the minimum.
Please consider it based on enough evaluations with the actual model.

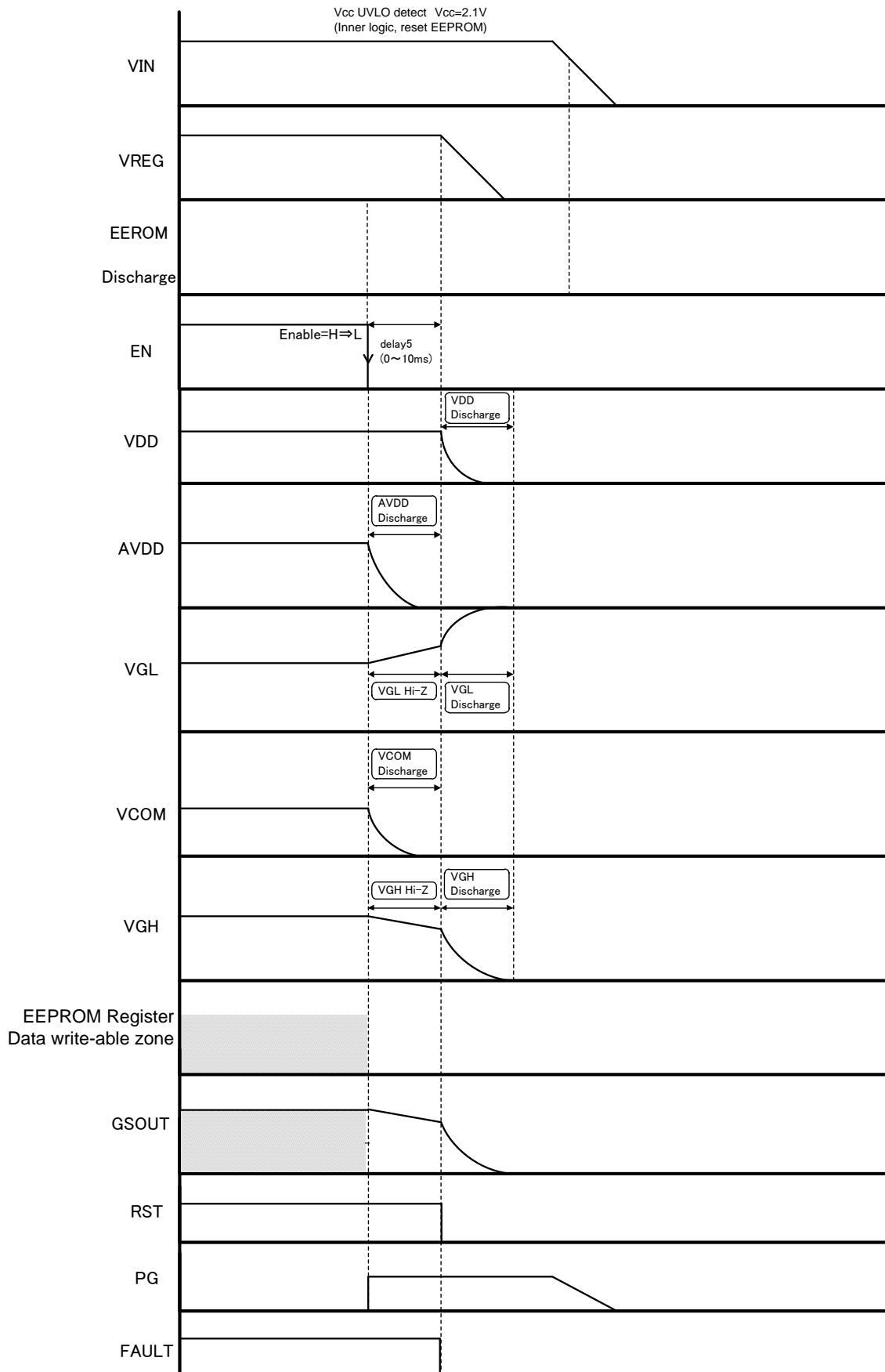
Application Example 1 (when operated by EN control) – continued
Timing Chart1

Start-up Sequence (when operated by EN control)



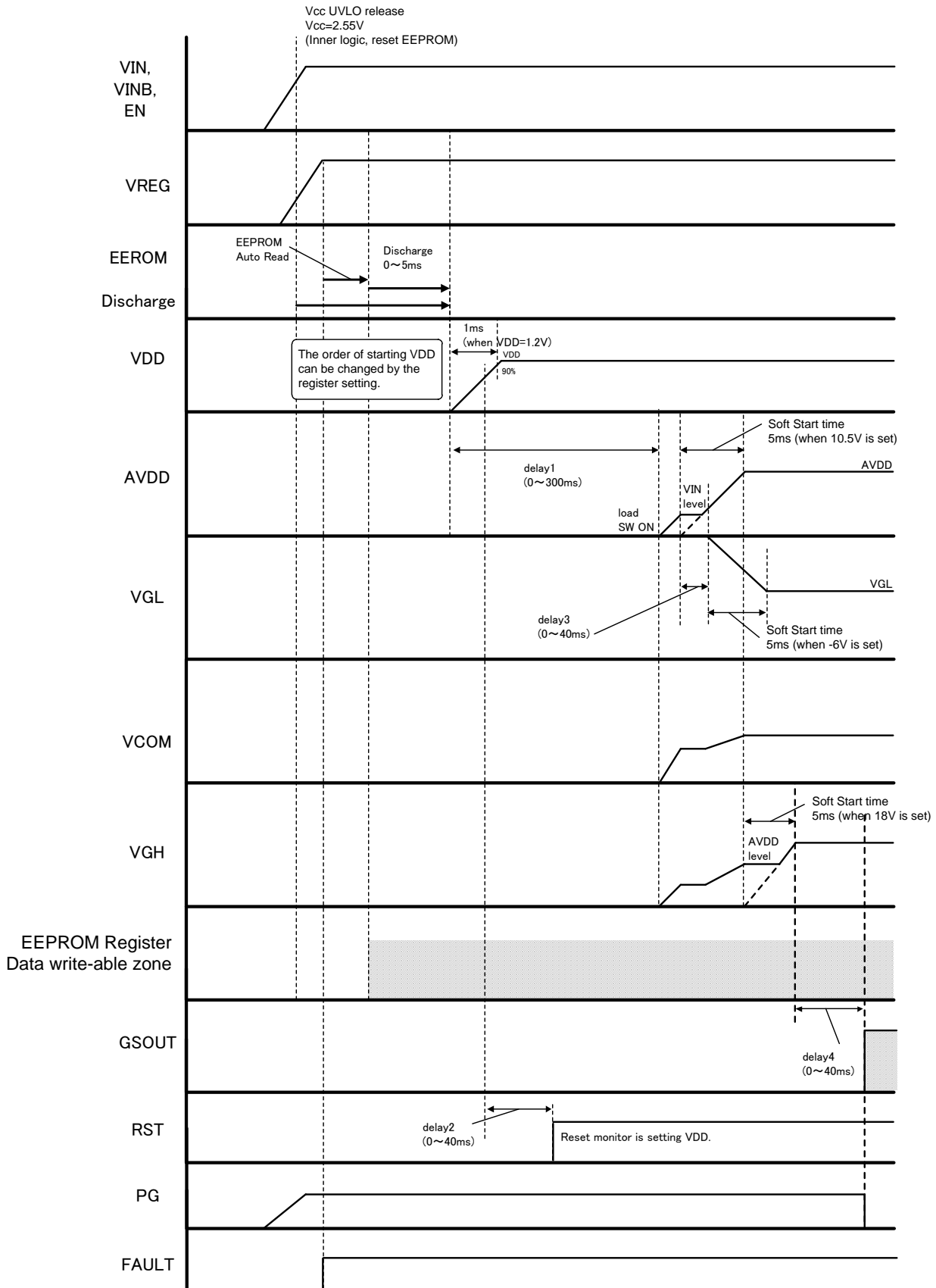
Application Example 1 (when operated by EN control) – continued

OFF Sequence (when operated by EN control)



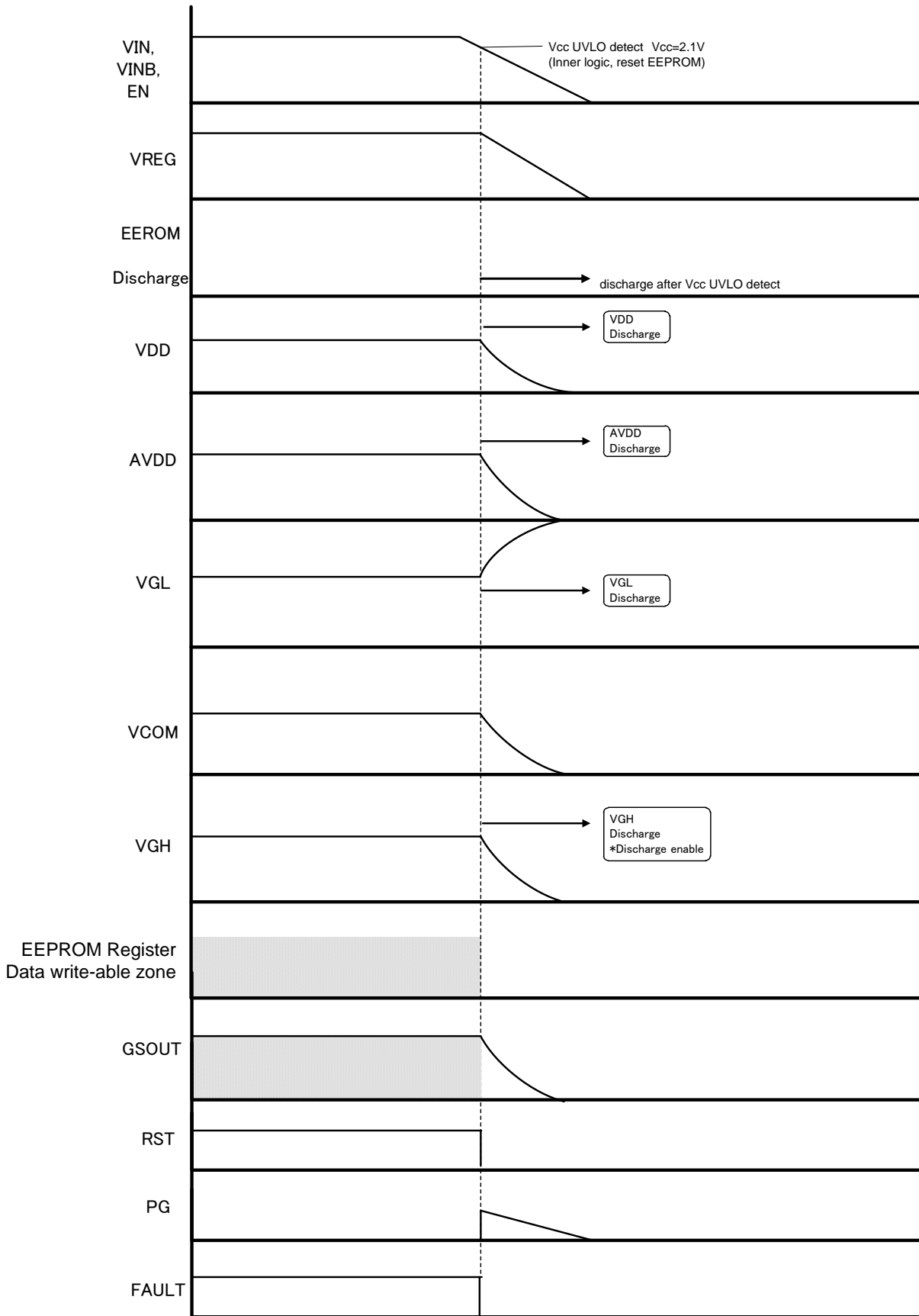
Application Example 2 (when operated with EN= VCC condition)
Timing Chart2

Start-up Sequence (when operated with EN= VCC condition)



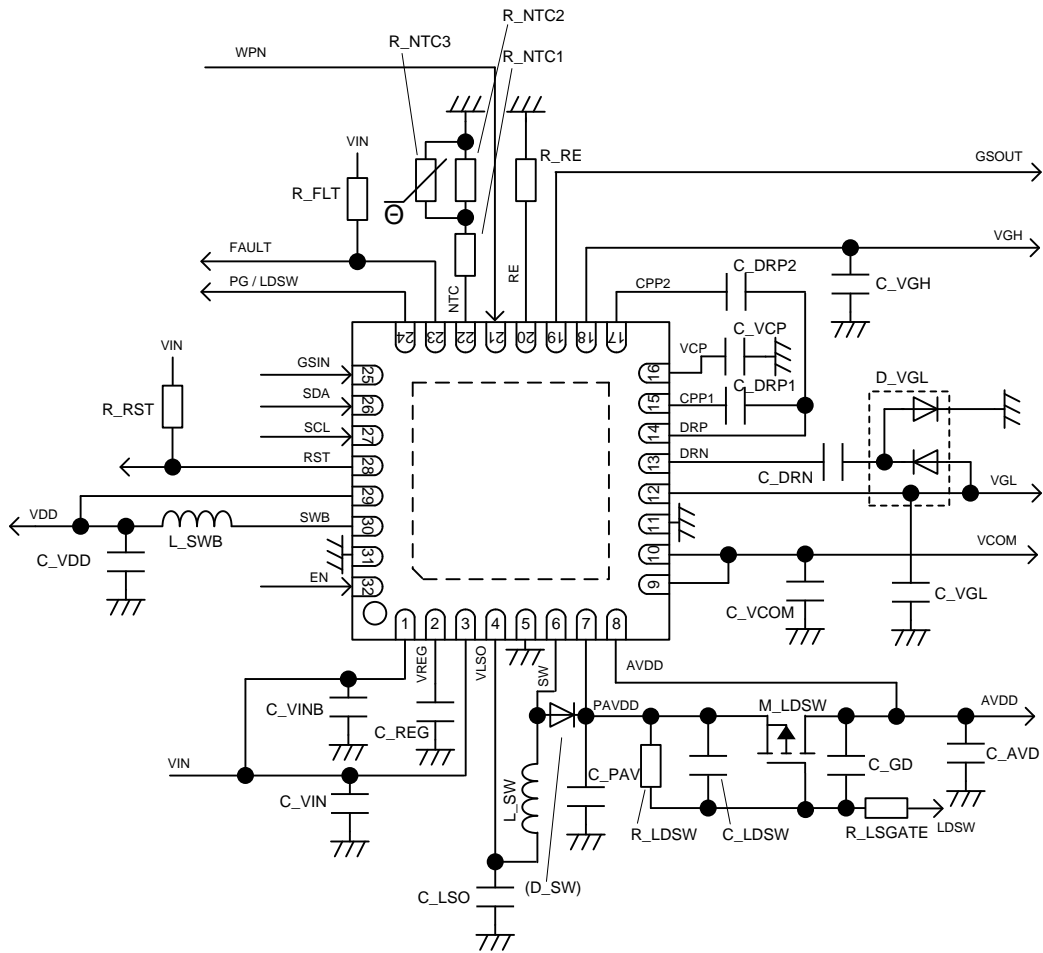
Timing Chart2 - continued

OFF Sequence (when operated with EN= VCC condition)



Application Example 3 (using LDSW mode)

In case of activating in order of VGL => AVDD => VGH, changing the application contracture to following make is possible. In this case please set Register08h (Function Select) of the EEPROM to "1".



Application Example 3 (using LDSW mode) - continued

Application circuit components list

(Unless otherwise specified VIN=3.3V, VDD=2.5V, AVDD=10.5V, VGH=18V, VGL=-6.0V, VCOM=5.25V and Ta=25°C)

Parts name	Value			Unit	Company	Parts Number	Comment
	Min (Note 1)	Typ	Max				
C_VIN	10	10 x 2	-	μF	MURATA	GRT21BC81A106KE01	
C_VINB	4.7	10	-	μF	MURATA	GRT21BC81A106KE01	No need @ VDD LDO mode
C_REG	0.047	0.1	0.47	μF	MURATA	GRT188R71H104KE13	
C_LSO	10	10 x 2	-	μF	MURATA	GRT21BC81A106KE01	
C_PAVD	5.0	10 x 2	10 x 5	μF	MURATA	GRT31CC81E106KE01	See p.49 in detail.
C_AVD	2.2	4.7	10	μF	MURATA	GRT31CC81E475KE01	See p.49 in detail.
L_SW	-	4.7	-	μH	TDK	LTF5022T-4R7N2R0-H	See p.49 in detail.
D_SW	-	-	-	-	ROHM	(RB060M-30DD)	Please insert D_SW when improving the efficiency is necessary.
M_LDSW	-	-	-	-	ROHM	RTR030P02FHA	
R_LDSW	-	100	-	kΩ	ROHM	MCR03	
C_LDSW	-	0.47	-	μF	MURATA	GRT21BR71H474KE01	
C_GD	-	33	-	nF	MURATA	GRT155R71H333KE01	
R_LSGATE	-	100	-	kΩ	ROHM	MCR03	
C_VDD	10	10 x 2	47	μF	MURATA	GRT21BC81A106KE01	
L_SWB	-	4.7	-	μH	TDK	LTF5022T-4R7N2R0-H	
C_VCOM	-	-	-	μF	MURATA	-	
C_VGL	0.47	1.0	4.7	μF	MURATA	GRT21BC81E105KE13	
C_DRN	-	0.1	-	μF	MURATA	GRT188R71H104KE13	
D_VGL	-	-	-	-	ROHM	RB558WFH	
C_VGH	0.47	2.2	4.7	μF	MURATA	GRT21BC8YA225KE13	
C_CPP1	-	0.1	-	μF	MURATA	GRT188R71H104KE13	
C_VCP	-	1.0	-	μF	MURATA	GRT188C81E105KE13	
C_CPP2	-	0.1	-	μF	MURATA	GRT188R71H104KE13	
R_RE	0.2	2.0	-	kΩ	ROHM	MCR03	
R_NTC1	-	4.7	-	kΩ	ROHM	MCR03	
R_NTC2	-	33	-	kΩ	ROHM	MCR03	
R_NTC3	-	10	-	kΩ	MURATA	NCU18XH103F6SRB	
R_FLT	47	100	200	kΩ	ROHM	MCR03	
R_RST	47	100	200	kΩ	ROHM	MCR03	

(Note 1) Please set in consideration of temperature properties and DC bias properties not to become less than the minimum.
Please consider it based on enough evaluations with the actual model.

Timing Chart3

Start-up Sequence (when operated with LDSW function)

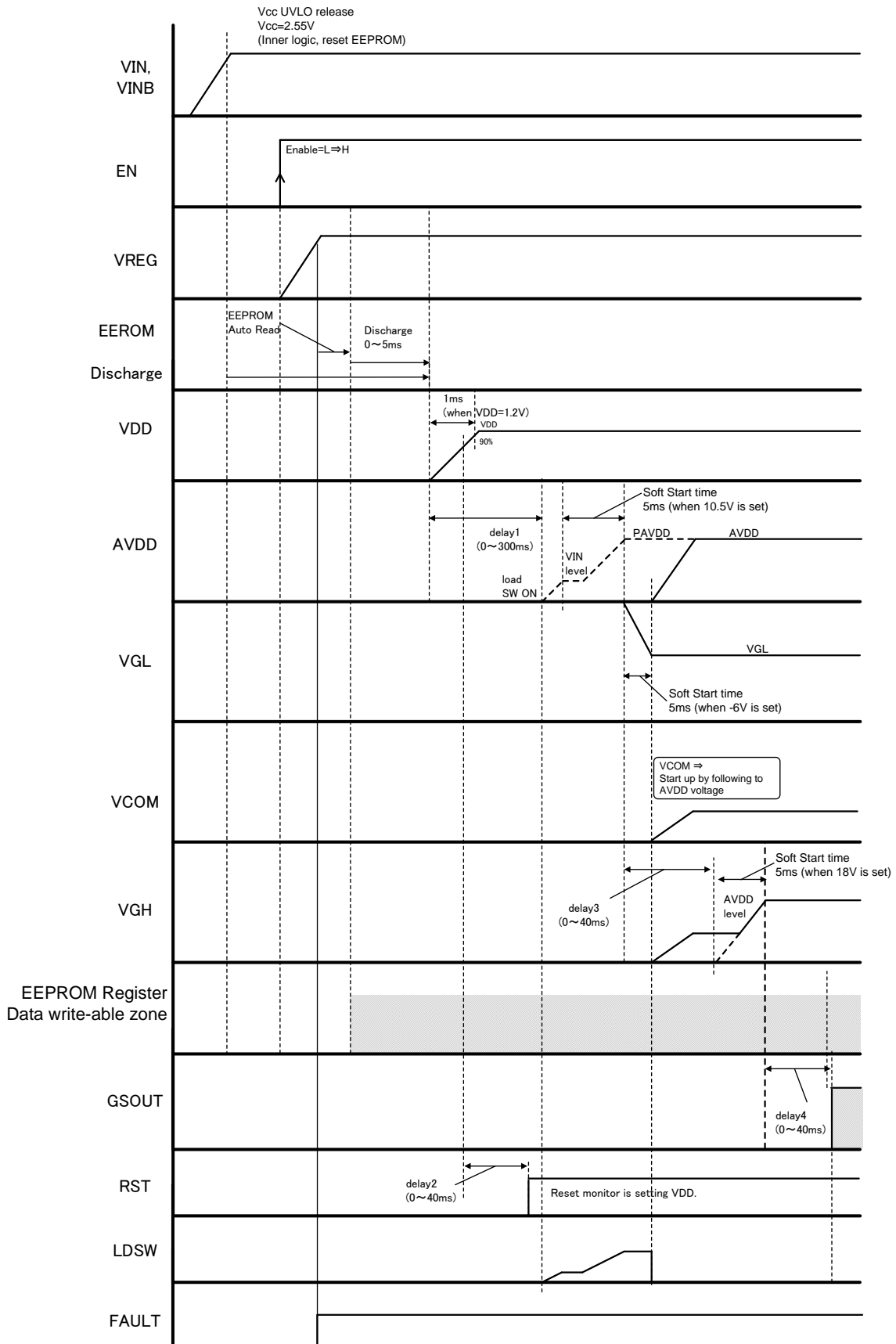


Figure 68. Start-Up Sequence Diagram (when operated with LDSW Function)

Timing Chart3 - continued

OFF Sequence (when operated with LDSW function)

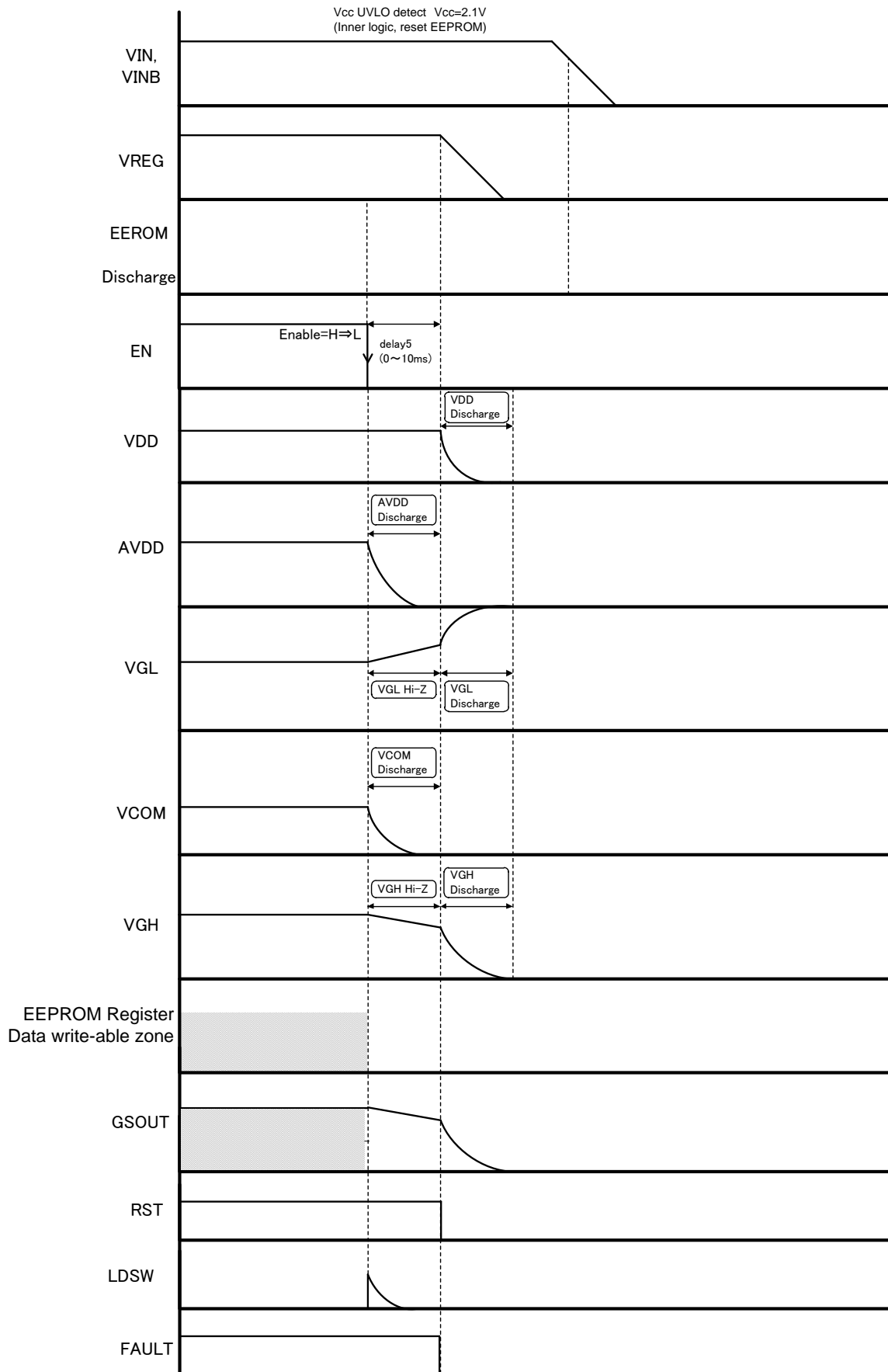


Figure 69. OFF Sequence Diagram (when operated with LDSW Function)

Serial communication

This IC has two device-address-differential EEPROM installed and data is send or received to/from EEPROM using 2-line serial interface (SCL, SDA). Communication format for data sending or receiving to/from each EEPROM is shown below.

EEPROM I2C Format for DVR (VCOM calibrator)

Write operation	Start	Device address							R/W	ACK	DATA							ACK	STOP
		1	0	0	1	1	1	1	0	0	D6	D5	D4	D3	D2	D1	D0	P	
Read operation	Start	Device address							R/W	ACK	DATA							ACK	STOP
		1	0	0	1	1	1	1	1	0	D6	D5	D4	D3	D2	D1	D0	X	

When Device Address = 1001111(R/W) is selected, Data is Read or Write EEPROM for DVR(VCOM calibrator).

During Write mode

- When P=1, the sending data is written only to Register.
- When WPN=Low and P=0, the sending data is written only to Register.
- When WPN=High and P=0, the sending data is written both to Register and EEPROM.

During Read mode

The last bit of received data is "Don't care".

"D6" is ± select bit: 0 = "+", 1="-" from VCOM(HOT) value.

[D5:D0] are voltage band from VCOM(HOT).

The voltage band is calculated; 10mV x [D5:D0],

For example,

[D6:D0,P] = 82h(D6=1, [D5:D0]=1'd, P=0) ... VCOM = VCOM(HOT) - 1 x 10mV;

[D6:D0,P] = 7Eh(D6=0, [D5:D0]=63'd, P=0) ... VCOM = VCOM(HOT) + 63 x 10mV;

Sequence of DVR side EEPROM during Read/Write mode is shown in below chart.

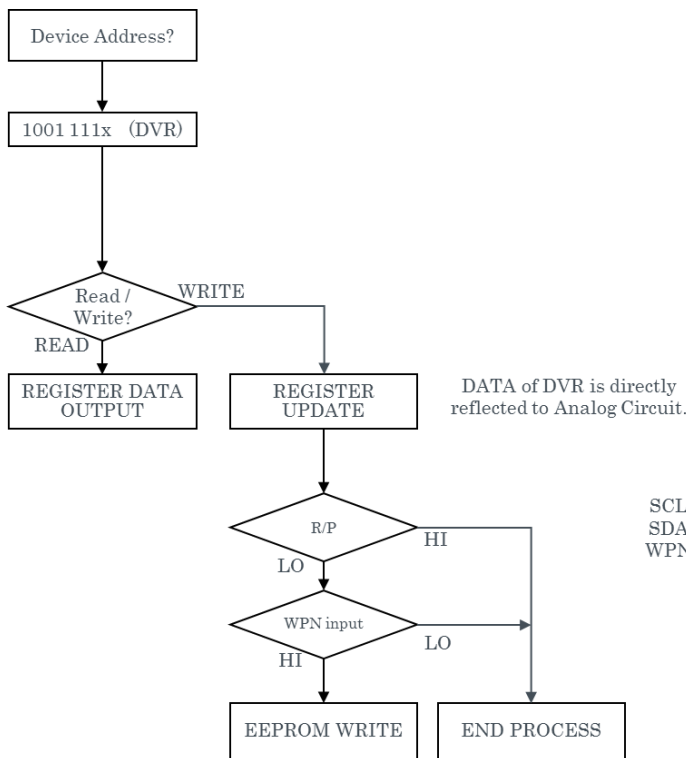


Figure 70

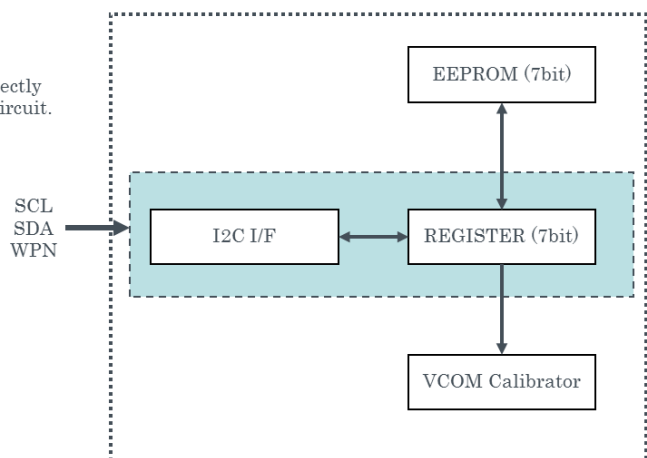


Figure 71

Serial communication - continued

EEPROM I2C Format for Power Management IC (PMIC)

Write operation	Start	Device address								R/W	ACK	Register Address								ACK	N-bytes Data																ACK	Stop																		
		1	0	0	0	0	0	0	0	0	0	0	00h ~ 0Dh, 10h, 11h	0																	0																									
Read operation	Start	Device address								R/W	ACK	Register Address								ACK	Repeated Start	Device Address																ACK	N-bytes Data																ACK	Stop
		1	0	0	0	0	0	0	0	0	0	0	00h ~ 0Dh, 10h, 11h	0																	1																	1								

Device Address of BM81810MUF-M is 1000 000x.
Multi write is possible until Register 00h to 0Dh.

	EN	WPN	Start-up(0Ch[7])	PMIC (00h to 0Dh)	Output Function
1	Low	Low	-	-	Shutdown
2	High	Low	-	Register	Active
3	High	High	0*	Register & EEPROM	Shutdown
4	High	High	1	Register & EEPROM	Active

* In the mass production shipment process, please write Start-up (0Ch[7]) to "1" in EEPROM.

The following are the settings if you want to send the Data by I2C.

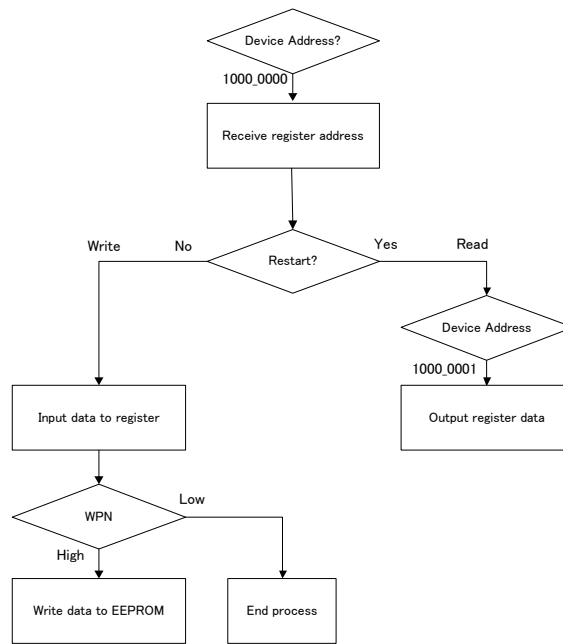


Figure 72

WPN Timing

WPN is normally fixed as Low.

In case of writing to EEPROM, WPN is set to High, and the timing will be as below.

Because the maximum of the auto-read time from EEPROM is 5ms, please between EN signal and I2C input than 5ms.

Also, because the maximum of writing time to EEPROM is 50ms, please between I2C STOP signal and EN falling signal than 50ms.



Figure 73

I2C Timing Diagram

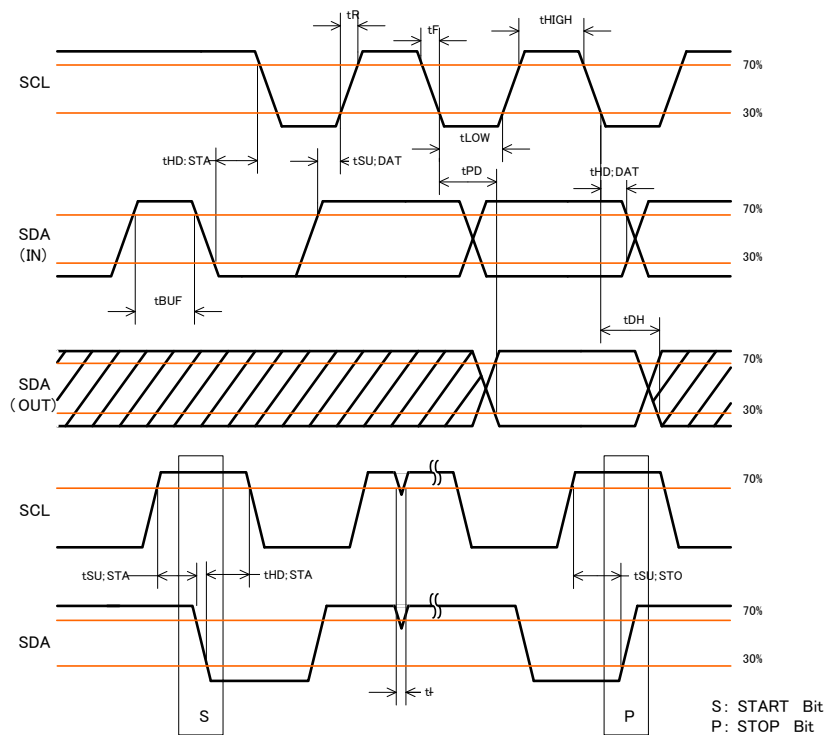


Figure 74. I2C Timing Diagram

Timing standard values

Parameter	Symbol	NORMAL MODE			FAST MODE			Unit
		Min	Typ	Max	Min	Typ	Max	
SCL frequency	fSCL	-	-	100	-	-	400	kHz
SCL high time	tHIGH	4.0	-	-	0.6	-	-	μs
SCL low time	tLOW	4.7	-	-	1.2	-	-	μs
Rise Time	tR	-	-	1.0	-	-	0.3	μs
Fall Time	tF	-	-	0.3	-	-	0.3	μs
Start condition hold time	tHD;STA	4.0	-	-	0.6	-	-	μs
Start condition setup time	tSU;STA	4.7	-	-	0.6	-	-	μs
SDA hold time	tHD;DAT	0	-	-	0	-	-	ns
SDA setup time	tSU;DAT	200	-	-	100	-	-	ns
Acknowledge delay time	tPD	-	-	0.9	-	-	0.9	μs
Acknowledge hold time	tDH	-	0.1	-	-	0.1	-	μs
Stop condition setup time	tSU;STO	4.0	-	-	0.6	-	-	μs
Bus release time	tBUF	4.7	-	-	1.2	-	-	μs
Noise spike width	TI	-	0.1	-	-	0.1	-	μs

Automatic EEPROM Read Function at Start-up

Upon BM81810MUF-M start-up, a reset signal is generated and each register is initialized. After VREG activation is finished, data which is stored in the EEPROM is copied to the registers. The automatic EEPROM read function at start-up is further explained by the flow chart below.

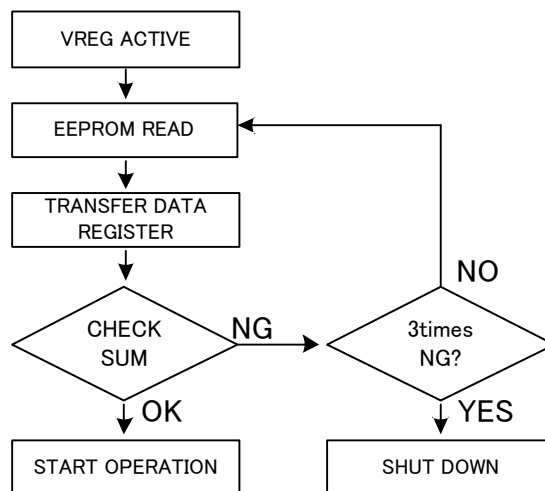


Figure 75. Automatic EEPROM Read Function at Start-up

EEPROM Parameter Setting

■EEPROM / Main Register Map (device address : 1000000x)				
Device Address: 1000000x (PMIC)				
Register Address	Bits	Function	Resolution	Comments
00h	8	AVDD Output voltage	0.1V [5.0V to 17.0V]	AVDD Output voltage setting
01h	8	VGH(HOT) Output voltage	0.2V [8.0V to 35.0V]	VGH(HOT) Output voltage setting
02h	8	Δ VGH(COLD) Voltage [6:0] VGH NTC Enalbe [7]	0.2V [VGH(HOT) + 15V] 0:Disable, 1:Enable	
03h	8	VGL Output voltage	0.1V [-14.0V to -4.0V]	VGL Output voltage setting
04h	8	VCOM(HOT) Output voltage	40mV [0.5xAVDD ±4.0V]	VCOM(HOT) Output voltage setting
05h	8	Δ VCOM(COLD) Voltage [6:0] VCOM NTC Enalbe [7]	10mV [VCOM(HOT) - 0.63V] 0:Disable, 1:Enable	
06h	8	VDD Output voltage [5:0]	0.05V [0.9V to 3.4V]	VDD Output voltage setting
		VDD mode select [6]	0 : DC/DC, 1 : LDO	Select VDD operation mode DC/DC or LDO
		VDD Phase [7]	See P.56 page.	select VDD Phase
07h	8	Reset Voltage [4:0]	0.1V [0.6V to 3.3V]	Reset voltage setting
		Reset monitor select [5]	0:VDD, 1:VIN	Select monitor pin of reset function
		GPM input delay [7:6]	00: 0.1usec, 01: 0.5usec, 10: 1.0usec, 11: 1.5usec	GPM input propagation delay time setting
08h	8	Discharge time [2:0]	1msec [0 to 5msec]	Pre-discharge time setting
		Delay1 time [6:3]	[0 to 300msec]	Load switch of AVDD start-up delay time setting
		Function Select [7]	0: PG, 1: LDSW	24pin function select
09h	8	Delay2 time [2:0]	5msec [0 to 30msec, 40msec]	Reset start delay time setting
		DoubleReg [3]	0: Disable, 1: Enable	Double Register Function
		Delay3 time [6:4]	5msec [0 to 30msec, 40msec]	VGL or VGH start-up delay time setting
		DataRef [7]	0: Disable, 1: Enable	Data Refresh Function
0Ah	8	Delay4 time [2:0]	5msec [0 to 30msec, 40msec]	GPM start delay time setting
		AR_Time [3]	0: 0.5sec, 1: 1.0sec	Data Refresh Time
		Delay5 time [6:4]	2msec [0 to 10msec]	VDD stop delay time setting
		VGH Discharge enable [7]	0: Enable, 1: Disable	VGH Discharge function enable
0Bh	8	AVDD Coil[1:0]	See p.49 page.	select AVDD Coil inductance
		AVDD SW Slew Rate [3:2]	See p.48 page.	4step slew rate setting (11:fast → 00:slow)
		AVDD SS time [5:4]	5msec [5msec to 20msec]	AVDD softstart time setting
		AVDD OCP Select [6]	0: 2A, 1: 1A	AVDD OCP min value select
		AVDD COMP [7]	See p.49 page.	AVDD phase compensation setting
0Ch	8	AVDD Frequency [1:0]	00:2.1MHz, 01:1.05MHz, 10:525KHz, 11:525KHz	Select AVDD switching frequency
		VDD Frequency [3:2]	00:2.1MHz, 01:1.05MHz, 10:525KHz, 11:525KHz	Select VDD switching frequency
		VGH / VGL Frequency [5:4]	AVDD Frequency (00:x1, 01:--, 10:--, 11:--)	Select VGH and VGL switching frequency. Choose only "00" .
		VGH mode select [6]	0: x3 mode, 1: x2 or x4 mode	Select VGH charge pump mode
		start-up bit [7]	0:Disable, 1:Enable	

Device Address: 1001111x (VCOM)				
Register Address	Bits	Function	Resolution	Comments
-	7	VCOM Calibrator	+/- 0.01V [VCOM +/- 0.63V]	VCOM Calibrator

When Start-up bit(REG0Ch[7]) is "1", below Register cannot be modified.

- VGH NTC Enable REG02h[7]
- VCOM NTC Enable REG05h[7]
- VDD mode select REG06h[6]
- Function select REG08h[7]
- VGH mode select REG0Ch[6]

To change those Register setting, start-up bit(REG0Ch[7]) should be in "0".
After changing the register value, set the Start-up bit(REG0Ch[7]) to "1" again to start up with the changed setting.

Register Map

Device Address : 1000000x (PMIC)

Register Address	D7	D6	D5	D4	D3	D2	D1	D0	Default
00h	AVDD Output Voltage								68h
01h	VGH HOT Output Voltage								59h
02h	VGH NTC Enable	Δ VGH COLD Voltage							83h
03h	VGL Output Voltage								3Bh
04h	VCOM HOT Output Voltage								80h
05h	VCOM NTC Enable	Δ VCOM COLD Voltage							99h
06h	VDD Phase Select	VDD MODE	VDD Output Voltage						20h
07h	GPM Input Delay		Reset Monitor Select	Reset Voltage					04h
08h	Function Select	Delay1 time			Discharge time				09h
09h	Data Refresh	Delay3 time		DoubleReg	Delay2 time				13h
0Ah	VGH Discharge Enable	Delay5 time		AR_Time	Delay4 time				87h
0Bh	AVDD COMP	AVDD OCP Select	AVDD SS Time		AVDD SW Slew Rate		AVDD Coil Select		3Ch
0Ch	Start-up Bit	VGH mode select	VGH/VGL Frequency		VDD Frequency		AVDD Frequency		05h
0Dh	Check Sum								60h
10h	AVDD UVP	VDD UVP	VGH UVP	VGL UVP	Double Register Error	AVDD OCP	TSD	Check sum Error	00h

Device Address : 1001111x (VCOM)

Register Address	D6	D5	D4	D3	D2	D1	D0	P	Default
-	VCOM Calibration Voltage							P	80h

Register Map - continued

Command Table

DATA (HEX)	Register Address														Function Select [7]	Delay1 time [6:3]	Discharge time [2:0]
	00h	01h	02h	03h	04h	05h	06h	07h	08h	09h	0Ah	0Bh	0Ch	0Dh			
	AVDD Output Voltage [7:0]	VGH HOT Output Voltage [7:0]	VGH NTC Enable [7]	ΔVGH COLD Voltage [6:0]	VGL Output Voltage [7:0]	VCOM HOT Output Voltage [7:0]	VCOM NTC Enable [7]	ΔVCOM COLD Voltage [6:0]	VDD Phase [7]	VDD MODE [6]	VDD Output Voltage [5:0]	GPM Input Delay [7:6]	Reset Monitor Select [5]	Reset Voltage [4:0]			
00h				+0.0V		AVDD2		-0.00V			0.90 V			0.6 V			0 msec
01h				+0.2V		AVDD2+0.04V		-0.01V			0.95 V			0.7 V			1 msec
02h				+0.4V		AVDD2+0.08V		-0.02V			1.00 V			0.8 V			2 msec
03h				+0.6V		AVDD2+0.12V		-0.03V			1.05 V			0.9 V			3 msec
04h				+0.8V		AVDD2+0.16V		-0.04V			1.10 V			1.0 V			4 msec
05h				+1.0V		AVDD2+0.20V		-0.05V			1.15 V			1.1 V			5 msec
06h				+1.2V		AVDD2+0.24V		-0.06V			1.20 V			1.2 V			5 msec
07h				+1.4V		AVDD2+0.28V		-0.07V			1.25 V			1.3 V			5 msec
08h				+1.6V		AVDD2+0.32V		-0.08V			1.30 V			1.4 V			0 msec
09h				+1.8V		AVDD2+0.36V		-0.09V			1.35 V			1.5 V			1 msec
0Ah				+2.0V		AVDD2+0.40V		-0.10V			1.40 V			1.6 V			2 msec
0Bh				+2.2V		AVDD2+0.44V		-0.11V			1.45 V			1.7 V			3 msec
0Ch				+2.4V		AVDD2+0.48V		-0.12V			1.50 V			1.8 V			4 msec
0Dh				+2.6V		AVDD2+0.52V		-0.13V			1.55 V			1.9 V			5 msec
0Eh				+2.8V		AVDD2+0.56V		-0.14V			1.60 V			2.0 V			5 msec
0Fh				+3.0V		AVDD2+0.60V		-0.15V			1.65 V			2.1 V			5 msec
10h				+3.2V		AVDD2+0.64V		-0.16V			1.70 V			2.2 V			0 msec
11h				+3.4V		AVDD2+0.68V		-0.17V			1.75 V			2.3 V			1 msec
12h				+3.6V		AVDD2+0.72V		-0.18V			1.80 V			2.4 V			2 msec
13h				+3.8V		AVDD2+0.76V		-0.19V			1.85 V			2.5 V			3 msec
14h				+4.0V		AVDD2+0.80V		-0.20V			1.90 V			2.6 V			4 msec
15h				+4.2V		AVDD2+0.84V		-0.21V			1.95 V			2.7 V			5 msec
16h				+4.4V		AVDD2+0.88V		-0.22V			2.00 V			2.8 V			5 msec
17h				+4.6V		AVDD2+0.92V		-0.23V			2.05 V			2.9 V			5 msec
18h				+4.8V		AVDD2+0.96V		-0.24V			2.10 V			3.0 V			0 msec
19h				+5.0V		AVDD2+1.00V		-0.25V			2.15 V			3.1 V			1 msec
1Ah				+5.2V		AVDD2+1.04V		-0.26V			2.20 V			3.2 V			2 msec
1Bh				+5.4V		AVDD2+1.08V		-0.27V			2.25 V			3.3 V			3 msec
1Ch				+5.6V		AVDD2+1.12V		-0.28V			2.30 V			3.3 V			4 msec
1Dh				+5.8V		AVDD2+1.16V		-0.29V			2.35 V			3.3 V			5 msec
1Eh				+6.0V		AVDD2+1.20V		-0.30V			2.40 V			3.3 V			5 msec
1Fh				+6.2V		AVDD2+1.24V		-0.31V			2.45 V			3.3 V			5 msec
20h				+6.4V		AVDD2+1.28V		-0.32V			2.50 V			3.3 V			5 msec
21h				+6.6V		AVDD2+1.32V		-0.33V			2.55 V			3.3 V			5 msec
22h				+6.8V		AVDD2+1.36V		-0.34V			2.60 V			3.3 V			5 msec
23h				+7.0V		AVDD2+1.40V		-0.35V			2.65 V			3.3 V			5 msec
24h				+7.2V		AVDD2+1.44V		-0.36V			2.70 V			3.3 V			5 msec
25h				+7.4V		AVDD2+1.48V		-0.37V			2.75 V			3.3 V			5 msec
26h				+7.6V		AVDD2+1.52V		-0.38V			2.80 V			3.3 V			5 msec
27h				+7.8V		AVDD2+1.56V		-0.39V			2.85 V			3.3 V			5 msec
28h		8.2 V		+8.0V	-4.1 V	AVDD2+1.60V		-0.40V			2.90 V			3.3 V			0 msec
29h		8.4 V		+8.2V	-4.2 V	AVDD2+1.64V		-0.41V			2.95 V			3.3 V			1 msec
2Ah		8.6 V		+8.4V	-4.3 V	AVDD2+1.68V		-0.42V			3.00 V			3.3 V			2 msec
2Bh		8.8 V		+8.6V	-4.4 V	AVDD2+1.72V		-0.43V			3.05 V			3.3 V			3 msec
2Ch		9.0 V		+8.8V	-4.5 V	AVDD2+1.76V		-0.44V			3.10 V			3.3 V			4 msec
2Dh		9.2 V		+9.0V	-4.6 V	AVDD2+1.80V		-0.45V			3.15 V			3.3 V			5 msec
2Eh		9.4 V		+9.2V	-4.7 V	AVDD2+1.84V		-0.46V			3.20 V			3.3 V			5 msec
2Fh		9.6 V		+9.4V	-4.8 V	AVDD2+1.88V		-0.47V			3.25 V			3.3 V			5 msec
30h		9.8 V		+9.6V	-4.9 V	AVDD2+1.92V		-0.48V			3.30 V			3.3 V			0 msec
31h		10.0 V		+9.8V	-5.0 V	AVDD2+1.96V		-0.49V			3.35 V			3.3 V			1 msec
32h		5.1 V	10.2 V	+10.0V	-5.1 V	AVDD2+2.00V		-0.50V			3.40 V			3.3 V			2 msec
33h		5.2 V	10.4 V	+10.2V	-5.2 V	AVDD2+2.04V		-0.51V			3.45 V			3.3 V			3 msec
34h		5.3 V	10.6 V	+10.4V	-5.3 V	AVDD2+2.08V		-0.52V			3.50 V			3.3 V			4 msec
35h		5.4 V	10.8 V	+10.6V	-5.4 V	AVDD2+2.12V		-0.53V			3.55 V			3.3 V			5 msec
36h		5.5 V	11.0 V	+10.8V	-5.5 V	AVDD2+2.16V		-0.54V			3.60 V			3.3 V			5 msec
37h		5.6 V	11.2 V	+11.0V	-5.6 V	AVDD2+2.20V		-0.55V			3.65 V			3.3 V			5 msec
38h		5.7 V	11.4 V	+11.2V	-5.7 V	AVDD2+2.24V		-0.56V			3.70 V			3.3 V			5 msec
39h		5.8 V	11.6 V	+11.4V	-5.8 V	AVDD2+2.28V		-0.57V			3.75 V			3.3 V			5 msec
3Ah		5.9 V	11.8 V	+11.6V	-5.9 V	AVDD2+2.32V		-0.58V			3.80 V			3.3 V			5 msec
3Bh		6.0 V	12.0 V	+11.8V	-6.0 V	AVDD2+2.36V		-0.59V			3.85 V			3.3 V			5 msec
3Ch		6.1 V	12.2 V	+12.0V	-6.1 V	AVDD2+2.40V		-0.60V			3.90 V			3.3 V			5 msec
3Dh		6.2 V	12.4 V	+12.2V	-6.2 V	AVDD2+2.44V		-0.61V			3.95 V			3.3 V			5 msec
3Eh		6.3 V	12.6 V	+12.4V	-6.3 V	AVDD2+2.48V		-0.62V			4.00 V			3.3 V			5 msec
3Fh		6.4 V	12.8 V	+12.6V	-6.4 V	AVDD2+2.52V		-0.63V			4.05 V			3.3 V			5 msec
40h		6.5 V	13.0 V	+12.8V	-6.5 V	AVDD2+2.56V		-0.64V			4.10 V			3.3 V			5 msec
41h		6.6 V	13.2 V	+13.0V	-6.6 V	AVDD2+2.60V		-0.65V			4.15 V			3.3 V			5 msec
42h		6.7 V	13.4 V	+13.2V	-6.7 V	AVDD2+2.64V		-0.66V			4.20 V			3.3 V			5 msec
43h		6.8 V	13.6 V	+13.4V	-6.8 V	AVDD2+2.68V		-0.67V			4.25 V			3.3 V			5 msec
44h		6.9 V	13.8 V	+13.6V	-6.9 V	AVDD2+2.72V		-0.68V			4.30 V			3.3 V			5 msec
45h		7.0 V	14.0 V	+13.8V	-7.0 V	AVDD2+2.76V		-0.69V			4.35 V			3.3 V			5 msec
46h		7.1 V	14.2 V	+14.0V	-7.1 V	AVDD2+2.80V		-0.70V			4.40 V			3.3 V			5 msec
47h		7.2 V	14.4 V	+14.2V	-7.2 V	AVDD2+2.84V		-0.71V			4.45 V			3.3 V			5 msec
48h		7.3 V	14.6 V	+14.4V	-7.3 V	AVDD2+2.88V		-0.72V			4.50 V			3.3 V			5 msec
49h		7.4 V	14.8 V	+14.6V	-7.4 V	AVDD2+2.92V		-0.73V			4.55 V			3.3 V			5 msec
4Ah		7.5 V	15.0 V	+14.8V	-7.5 V	AVDD2+2.96V		-0.74V			4.60 V			3.3 V			5 msec
4Bh		7.6 V	15.2 V	+15.0V	-7.6 V	AVDD2+3.00V		-0.75V			4.65 V			3.3 V			5 msec
4Ch		7.7 V	15.4 V	+15.2V	-7.7 V	AVDD2+3.04V		-0.76V			4.70 V			3.3 V			5 msec
4Dh		7.8 V	15.6 V	+15.4V	-7.8 V	AVDD2+3.08V		-0.77V			4.75 V			3.3 V			5 msec
4Eh		7.9 V	15.8 V	+15.6V	-7.9 V	AVDD2+3.12V		-0.78V			4.80 V			3.3 V			5 msec
4Fh		8.0 V	16.0 V	+15.8V	-8.0 V	AVDD2+3.16V		-0.79V			4.85 V			3.3 V			5 msec
50h		8.1 V	16.2 V	+16.0V	-8.1 V	AVDD2+3.20V		-0.80V			4.90 V			3.3 V			5 msec
51h		8.2 V	16.4 V	+16.2V	-8.2 V	AVDD2+3.24V		-0.81V			4.95 V			3.3 V			

Command Table - continued

DATA (HEX)	Register Address															
	00h	01h	02h	03h	04h	05h	06h	07h	08h	09h	0Ah	0Bh	0Ch	0Dh	0Eh	0Fh
AVDD Output Voltage [7:0]	VGH HOT Output Voltage [7:0]	VGH NTC Enable [7]	ΔVGH COLD Voltage [6:0]	VGL Output Voltage [7:0]	VCOMHOT Output Voltage [7:0]	VCOM NTC Enable [7]	ΔVCOM COLD Voltage [6:0]	VDD Phase [7]	VDD MODE [6]	VDD Output Voltage [5:0]	GPM Input Delay [7:6]	Reset Monitor Select [5]	Reset Voltage [4:0]	Function Select [7]	Delay1 time [6:3]	Discharge time [2:0]
80h	12.9 V	25.8 V		+0.0V	-12.9 V	AVDD2		-0.00V		0.90 V			0.6 V			0 msec
81h	13.0 V	26.0 V		+0.2V	-13.0 V	AVDD2-0.04V		-0.01V		0.95 V			0.7 V			1 msec
82h	13.1 V	26.2 V		+0.4V	-13.1 V	AVDD2-0.08V		-0.02V		1.00 V			0.8 V			2 msec
83h	13.2 V	26.4 V		+0.6V	-13.2 V	AVDD2-0.12V		-0.03V		1.05 V			0.9 V			3 msec
84h	13.3 V	26.6 V		+0.8V	-13.3 V	AVDD2-0.16V		-0.04V		1.10 V			1.0 V			4 msec
85h	13.4 V	26.8 V		+1.0V	-13.4 V	AVDD2-0.20V		-0.05V		1.15 V			1.1 V			5 msec
86h	13.5 V	27.0 V		+1.2V	-13.5 V	AVDD2-0.24V		-0.06V		1.20 V			1.2 V			5 msec
87h	13.6 V	27.2 V		+1.4V	-13.6 V	AVDD2-0.28V		-0.07V		1.25 V			1.3 V			5 msec
88h	13.7 V	27.4 V		+1.6V	-13.7 V	AVDD2-0.32V		-0.08V		1.30 V			1.4 V			0 msec
89h	13.8 V	27.6 V		+1.8V	-13.8 V	AVDD2-0.36V		-0.09V		1.35 V			1.5 V			1 msec
8Ah	13.9 V	27.8 V		+2.0V	-13.9 V	AVDD2-0.40V		-0.10V		1.40 V			1.6 V			2 msec
8Bh	14.0 V	28.0 V		+2.2V		AVDD2-0.44V		-0.11V		1.45 V			1.7 V			3 msec
8Ch	14.1 V	28.2 V		+2.4V		AVDD2-0.48V		-0.12V		1.50 V			1.8 V			4 msec
8Dh	14.2 V	28.4 V		+2.6V		AVDD2-0.52V		-0.13V		1.55 V			1.9 V			5 msec
8Eh	14.3 V	28.6 V		+2.8V		AVDD2-0.56V		-0.14V		1.60 V			2.0 V			5 msec
8Fh	14.4 V	28.8 V		+3.0V		AVDD2-0.60V		-0.15V		1.65 V			2.1 V			5 msec
90h	14.5 V	29.0 V		+3.2V		AVDD2-0.64V		-0.16V		1.70 V			2.2 V			0 msec
91h	14.6 V	29.2 V		+3.4V		AVDD2-0.68V		-0.17V		1.75 V			2.3 V			1 msec
92h	14.7 V	29.4 V		+3.6V		AVDD2-0.72V		-0.18V		1.80 V			2.4 V			2 msec
93h	14.8 V	29.6 V		+3.8V		AVDD2-0.76V		-0.19V		1.85 V			2.5 V			3 msec
94h	14.9 V	29.8 V		+4.0V		AVDD2-0.80V		-0.20V		1.90 V			2.6 V			4 msec
95h	15.0 V	30.0 V		+4.2V		AVDD2-0.84V		-0.21V		1.95 V			2.7 V			5 msec
96h	15.1 V	30.2 V		+4.4V		AVDD2-0.88V		-0.22V		2.00 V			2.8 V			5 msec
97h	15.2 V	30.4 V		+4.6V		AVDD2-0.92V		-0.23V		2.05 V			2.9 V			5 msec
98h	15.3 V	30.6 V		+4.8V		AVDD2-0.96V		-0.24V		2.10 V			3.0 V			0 msec
99h	15.4 V	30.8 V		+5.0V		AVDD2-1.00V		-0.25V		2.15 V			3.1 V			1 msec
9Ah	15.5 V	31.0 V		+5.2V		AVDD2-1.04V		-0.26V		2.20 V			3.2 V			2 msec
9Bh	15.6 V	31.2 V		+5.4V		AVDD2-1.08V		-0.27V		2.25 V			3.3 V			3 msec
9Ch	15.7 V	31.4 V		+5.6V		AVDD2-1.12V		-0.28V		2.30 V			3.3 V			4 msec
9Dh	15.8 V	31.6 V		+5.8V		AVDD2-1.16V		-0.29V		2.35 V			3.3 V			5 msec
9Eh	15.9 V	31.8 V		+6.0V		AVDD2-1.20V		-0.30V		2.40 V			3.3 V			5 msec
9Fh	16.0 V	32.0 V		+6.2V		AVDD2-1.24V		-0.31V		2.45 V			3.3 V			5 msec
A0h	16.1 V	32.2 V		+6.4V		AVDD2-1.28V		-0.32V		2.50 V			3.3 V			5 msec
A1h	16.2 V	32.4 V		+6.6V		AVDD2-1.32V		-0.33V		2.55 V			3.3 V			5 msec
A2h	16.3 V	32.6 V		+6.8V		AVDD2-1.36V		-0.34V		2.60 V			3.3 V			5 msec
A3h	16.4 V	32.8 V		+7.0V		AVDD2-1.40V		-0.35V		2.65 V			3.3 V			5 msec
A4h	16.5 V	33.0 V		+7.2V		AVDD2-1.44V		-0.36V		2.70 V			3.3 V			5 msec
A5h	16.6 V	33.2 V		+7.4V		AVDD2-1.48V		-0.37V		2.75 V			3.3 V			5 msec
A6h	16.7 V	33.4 V		+7.6V		AVDD2-1.52V		-0.38V		2.80 V			3.3 V			5 msec
A7h	16.8 V	33.6 V		+7.8V		AVDD2-1.56V		-0.39V		2.85 V			3.3 V			5 msec
A8h	16.9 V	33.8 V		+8.0V		AVDD2-1.60V		-0.40V		2.90 V			3.3 V			5 msec
A9h		34.0 V		+8.2V		AVDD2-1.64V		-0.41V		2.95 V			3.3 V			5 msec
AAh		34.2 V		+8.4V		AVDD2-1.68V		-0.42V		3.00 V			3.3 V			5 msec
ABh		34.4 V		+8.6V		AVDD2-1.72V		-0.43V		3.05 V			3.3 V			5 msec
ABh		34.6 V		+8.8V		AVDD2-1.76V		-0.44V		3.10 V			3.3 V			5 msec
ADh		34.8 V		+9.0V		AVDD2-1.80V		-0.45V		3.15 V			3.3 V			5 msec
AEh				+9.2V		AVDD2-1.84V		-0.46V		3.20 V			3.3 V			5 msec
AFh				+9.4V		AVDD2-1.88V		-0.47V		3.25 V			3.3 V			5 msec
B0h				+9.6V		AVDD2-1.92V		-0.48V		3.30 V			3.3 V			5 msec
B1h				+9.8V		AVDD2-1.96V		-0.49V		3.35 V			3.3 V			5 msec
B2h				+10.0V		AVDD2-2.00V		-0.50V		3.40 V			3.3 V			5 msec
B3h				+10.2V		AVDD2-2.04V		-0.51V		3.45 V			3.3 V			5 msec
B4h				+10.4V		AVDD2-2.08V		-0.52V		3.50 V			3.3 V			5 msec
B5h				+10.6V		AVDD2-2.12V		-0.53V		3.55 V			3.3 V			5 msec
B6h				+10.8V		AVDD2-2.16V		-0.54V		3.60 V			3.3 V			5 msec
B7h				+11.0V		AVDD2-2.20V		-0.55V		3.65 V			3.3 V			5 msec
B8h				+11.2V		AVDD2-2.24V		-0.56V		3.70 V			3.3 V			5 msec
B9h				+11.4V		AVDD2-2.28V		-0.57V		3.75 V			3.3 V			5 msec
BAh				+11.6V		AVDD2-2.32V		-0.58V		3.80 V			3.3 V			5 msec
BBh				+11.8V		AVDD2-2.36V		-0.59V		3.85 V			3.3 V			5 msec
BCh				+12.0V		AVDD2-2.40V		-0.60V		3.90 V			3.3 V			5 msec
BDh				+12.2V		AVDD2-2.44V		-0.61V		3.95 V			3.3 V			5 msec
BEh				+12.4V		AVDD2-2.48V		-0.62V		4.00 V			3.3 V			5 msec
BFh				+12.6V		AVDD2-2.52V		-0.63V		4.05 V			3.3 V			5 msec
COh				+12.8V		AVDD2-2.56V		-0.64V		4.10 V			3.3 V			5 msec
C1h				+13.0V		AVDD2-2.60V		-0.65V		4.15 V			3.3 V			5 msec
C2h				+13.2V		AVDD2-2.64V		-0.66V		4.20 V			3.3 V			5 msec
C3h				+13.4V		AVDD2-2.68V		-0.67V		4.25 V			3.3 V			5 msec
C4h				+13.6V		AVDD2-2.72V		-0.68V		4.30 V			3.3 V			5 msec
C5h				+13.8V	-14.0 V	AVDD2-2.76V		-0.69V		4.35 V			3.3 V			5 msec
C6h				+14.0V		AVDD2-2.80V		-0.70V		4.40 V			3.3 V			5 msec
C7h				+14.2V		AVDD2-2.84V		-0.71V		4.45 V			3.3 V			5 msec
C8h				+14.4V		AVDD2-2.88V		-0.72V		4.50 V			3.3 V			5 msec
C9h				+14.6V		AVDD2-2.92V		-0.73V		4.55 V			3.3 V			5 msec
CAh				+14.8V		AVDD2-2.96V		-0.74V		4.60 V			3.3 V			5 msec
CAh				+14.8V		AVDD2-3.00V		-0.75V		4.65 V			3.3 V			5 msec
CBh				+14.8V		AVDD2-3.04V		-0.76V		4.70 V			3.3 V			5 msec
CBh				+14.8V		AVDD2-3.08V		-0.77V		4.75 V			3.3 V			5 msec
CBh				+14.8V		AVDD2-3.12V		-0.78V		4.80 V			3.3 V			5 msec
CBh				+14.8V		AVDD2-3.16V		-0.79V		4.85 V			3.3 V			5 msec
CBh				+14.8V		AVDD2-3.20V		-0.80V		4.90 V			3.3 V			5 msec
CBh				+14.8V		AVDD2-3.24V		-0.81V		4.95 V			3.3 V			5 msec
CBh				+14.8V		AVDD2-3.28V		-0.82V		5.00 V			3.3 V			5 msec
CBh				+14.8V		AVDD2-3.32V		-0.83V		5.05 V			3.3 V			5 msec
D4h	17.0 V			+15.0V		AVDD2-3.36V		-0.84V		5.10 V			3.3 V			5 msec
D5h				+15.0V		AVDD2-3.40V		-0.85V		5.15 V			3.3 V</			

Command Table - continued

DATA (HEX)	Register Address																	
	09h				0Ah				0Bh				0Ch					
DataRef [7]	Delay3 time [6:4]	DoubleReg [3]	Delay2 time [2:0]	VGH Discharge Enable [7]	Delay5 time [6:4]	AR_Time [3]	Delay4 time [2:0]	AVDD COMP [7]	AVDD OCP Select [6]	AVDD SS time [5:4]	AVDD SW Slew Rate [3:2]	AVDD COIL [1:0]	Start-up Bit [7]	VGH mode select [6]	VGH/VGL Frequency [5:4]	VDD Frequency [3:2]	AVDD Frequency [1:0]	Check Sum [7:0]
00h	Disable	0 msec	Disable	Enable	0 msec	0.5 sec	0 msec	AV_COM P. Set 1	2.0 A	5 msec	Slow2	AVC Set1 AVC Set2 AVC Set3 AVC Set4	Disable	x3 mode	2.1MHz 1.05MHz	2.1MHz	2.1MHz 1.05MHz	
01h																		
02h																		
03h																		
04h																		
05h																		
06h																		
07h																		
08h																		
09h																		
0Ah																		
0Bh																		
0Ch																		
0Dh																		
0Eh																		
0Fh																		
10h																		
11h																		
12h																		
13h																		
14h																		
15h																		
16h																		
17h																		
18h																		
19h																		
1Ah																		
1Bh																		
1Ch																		
1Dh																		
1Eh																		
1Fh																		
20h																		
21h																		
22h																		
23h																		
24h																		
25h																		
26h																		
27h																		
28h																		
29h																		
2Ah																		
2Bh																		
2Ch																		
2Dh																		
2Eh																		
2Fh																		
30h																		
31h																		
32h																		
33h																		
34h																		
35h																		
36h																		
37h																		
38h																		
39h																		
3Ah																		
3Bh																		
3Ch																		
3Dh																		
3Eh																		
3Fh																		
40h																		
41h																		
42h																		
43h																		
44h																		
45h																		
46h																		
47h																		
48h																		
49h																		
4Ah																		
4Bh																		
4Ch																		
4Dh																		
4Eh																		
4Fh																		
50h																		
51h																		
52h																		
53h																		
54h																		
55h																		
56h																		
57h																		
58h																		
59h																		
5Ah																		
5Bh																		
5Ch																		
5Dh																		
5Eh																		
5Fh																		
60h																		
61h																		
62h																		
63h																		
64h																		
65h																		
66h																		
67h																		
68h																		
69h																		
6Ah																		
6Bh																		
6Ch																		
6Dh																		
6Eh																		
6Fh																		
70h																		
71h																		
72h																		
73h																		
74h																		
75h																		
76h																		
77h																		
78h																		
79h																		
7Ah																		
7Bh																		
7Ch																		
7Dh																		
7Eh																		
7Fh																		

Command Table – continued

DATA (HEX)	Register Address																Check Sum [7:0]														
	09h				0Ah				0Bh				0Ch					0Dh													
	DataRef [7]	Delay3 time [6:4]	DoubleReg [3]	Delay2 time [2:0]	VGH Discharge Enable [7]	Delay5 time [6:4]	AR_Time [3]	Delay4 time [2:0]	AVDD COMP [7]	AVDD OCP Select [6]	AVDD SS time [5:4]	AVDD SW Slew Rate [3:2]	AVDD COL [1:0]	Start-up Bit [7]	VGH mode select [6]	VGH+VGL Frequency [5:4]	VDD Frequency [3:2]	AVDD Frequency [1:0]													
80h	Enable	0 msec	Disable	0 msec	Disable	0 msec	0.5 sec	0 msec	AV_COM P_Set 2	2.0 A	5 msec	Slow2	AVC Set1	Enable	x3 mode	2.1MHz	2.1MHz	2.1MHz													
81h				5 msec				5 msec					1.05MHz			1.05MHz															
82h				10 msec				10 msec					2.1MHz			2.1MHz															
83h				15 msec				15 msec					525KHz			525KHz															
84h				20 msec				20 msec					AVC Set1			AVC Set1															
85h				25 msec				25 msec					AVC Set2			AVC Set2															
86h				30 msec				30 msec					AVC Set3			AVC Set3															
87h				40 msec				40 msec					AVC Set4			AVC Set4															
88h			Enable	0 msec			0.5 sec	0 msec				2 msec	1.0 sec			10 msec	15 msec	20 msec		25 msec	30 msec	40 msec	5 msec	10 msec	15 msec	20 msec	25 msec	30 msec	40 msec		
89h				5 msec				5 msec																						1.05MHz	1.05MHz
8Ah				10 msec				10 msec																						2.1MHz	2.1MHz
8Bh				15 msec				15 msec																						525KHz	525KHz
8Ch				20 msec				20 msec																						AVC Set1	AVC Set1
8Dh				25 msec				25 msec																						AVC Set2	AVC Set2
8Eh				30 msec				30 msec																						AVC Set3	AVC Set3
8Fh				40 msec				40 msec																						AVC Set4	AVC Set4
90h	5 msec	5 msec	Disable	0 msec	4 msec	1.0 sec	0.5 sec	0 msec	15 msec	20 msec	10 msec	Slow2	AVC Set1	15 msec	15 msec	2.1MHz	2.1MHz	1.05MHz													
91h				5 msec				5 msec					1.05MHz							1.05MHz											
92h				10 msec				10 msec					2.1MHz							2.1MHz											
93h				15 msec				15 msec					525KHz							525KHz											
94h				20 msec				20 msec					AVC Set1							AVC Set1											
95h				25 msec				25 msec					AVC Set2							AVC Set2											
96h				30 msec				30 msec					AVC Set3							AVC Set3											
97h				40 msec				40 msec					AVC Set4							AVC Set4											
98h			Enable	0 msec			1.0 sec	0 msec			2 msec	1.0 sec	10 msec			15 msec	20 msec	25 msec		30 msec	40 msec	5 msec	10 msec	15 msec	20 msec	25 msec	30 msec	40 msec			
99h				5 msec				5 msec																					1.05MHz	1.05MHz	
9Ah				10 msec				10 msec																					2.1MHz	2.1MHz	
9Bh				15 msec				15 msec																					525KHz	525KHz	
9Ch				20 msec				20 msec																					AVC Set1	AVC Set1	
9Dh				25 msec				25 msec																					AVC Set2	AVC Set2	
9Eh				30 msec				30 msec																					AVC Set3	AVC Set3	
9Fh				40 msec				40 msec																					AVC Set4	AVC Set4	
A0h	10 msec	10 msec	Disable	0 msec	4 msec	1.0 sec	0.5 sec	0 msec	15 msec	20 msec	10 msec	Slow2	AVC Set1	15 msec	15 msec	2.1MHz	2.1MHz	1.05MHz													
A1h				5 msec				5 msec					1.05MHz							1.05MHz											
A2h				10 msec				10 msec					2.1MHz							2.1MHz											
A3h				15 msec				15 msec					525KHz							525KHz											
A4h				20 msec				20 msec					AVC Set1							AVC Set1											
A5h				25 msec				25 msec					AVC Set2							AVC Set2											
A6h				30 msec				30 msec					AVC Set3							AVC Set3											
A7h				40 msec				40 msec					AVC Set4							AVC Set4											
A8h			Enable	0 msec			1.0 sec	0 msec			2 msec	1.0 sec	10 msec			15 msec	20 msec	25 msec		30 msec	40 msec	5 msec	10 msec	15 msec	20 msec	25 msec	30 msec	40 msec			
A9h				5 msec				5 msec																					1.05MHz	1.05MHz	
AAh				10 msec				10 msec																					2.1MHz	2.1MHz	
ABh				15 msec				15 msec																					525KHz	525KHz	
ACh				20 msec				20 msec																					AVC Set1	AVC Set1	
ADh				25 msec				25 msec																					AVC Set2	AVC Set2	
AEh				30 msec				30 msec																					AVC Set3	AVC Set3	
AFh				40 msec				40 msec																					AVC Set4	AVC Set4	
B0h	15 msec	15 msec	Disable	0 msec	4 msec	1.0 sec	0.5 sec	0 msec	15 msec	20 msec	10 msec	Slow2	AVC Set1	15 msec	15 msec	2.1MHz	2.1MHz	1.05MHz													
B1h				5 msec				5 msec					1.05MHz							1.05MHz											
B2h				10 msec				10 msec					2.1MHz							2.1MHz											
B3h				15 msec				15 msec					525KHz							525KHz											
B4h				20 msec				20 msec					AVC Set1							AVC Set1											
B5h				25 msec				25 msec					AVC Set2							AVC Set2											
B6h				30 msec				30 msec					AVC Set3							AVC Set3											
B7h				40 msec				40 msec					AVC Set4							AVC Set4											
B8h			Enable	0 msec			1.0 sec	0 msec			2 msec	1.0 sec	10 msec			15 msec	20 msec	25 msec		30 msec	40 msec	5 msec	10 msec	15 msec	20 msec	25 msec	30 msec	40 msec			
B9h				5 msec				5 msec																					1.05MHz	1.05MHz	
BAh				10 msec				10 msec																					2.1MHz	2.1MHz	
BBh				15 msec				15 msec																					525KHz	525KHz	
BCh				20 msec				20 msec																					AVC Set1	AVC Set1	
BDh				25 msec				25 msec																					AVC Set2	AVC Set2	
BEh				30 msec				30 msec																					AVC Set3	AVC Set3	
BFh				40 msec				40 msec																					AVC Set4	AVC Set4	
C0h	20 msec	20 msec	Disable	0 msec	4 msec	1.0 sec	0.5 sec	0 msec	15 msec	20 msec	10 msec	Slow2	AVC Set1	15 msec	15 msec	2.1MHz	2.1MHz	1.05MHz													
C1h				5 msec				5 msec					1.05MHz							1.05MHz											
C2h				10 msec				10 msec					2.1MHz							2.1MHz											
C3h				15 msec				15 msec					525KHz							525KHz											
C4h				20 msec				20 msec					AVC Set1							AVC Set1											
C5h				25 msec				25 msec					AVC Set2							AVC Set2											
C6h				30 msec				30 msec					AVC Set3							AVC Set3											
C7h				40 msec				40 msec					AVC Set4							AVC Set4											
C8h			Enable	0 msec			1.0 sec	0 msec			2 msec	1.0 sec	10 msec			15 msec	20 msec	25 msec		30 msec	40 msec	5 msec	10 msec	15 msec	20 msec	25 msec	30 msec	40 msec			
C9h				5 msec				5 msec																					1.05MHz	1.05MHz	
CAh				10 msec				10 msec																					2.1MHz	2.1MHz	
CBh				15 msec				15 msec																					525KHz	525KHz	
CCh				20 msec				20 msec																					AVC Set1	AVC Set1	
CDh				25 msec				25 msec																					AVC Set2	AVC Set2	
CEh				30 msec				30 msec																					AVC Set3	AVC Set3	
CFh				40 msec				40 msec																					AVC Set4	AVC Set4	
D0h	25 msec	25 msec	Disable	0 msec	4 msec	1.0 sec	0.5 sec	0 msec	15 msec	20 msec	10 msec	Slow2	AVC Set1	15 msec	15 msec	2.1MHz	2.1MHz	1.05MHz													
D1h				5 msec				5 msec					1.05MHz							1.05MHz											
D2h				10 msec				10 msec					2.1MHz							2.1MHz											
D3h				15 msec				15 msec					525KHz							525KHz											
D4h				20 msec				20 msec					AVC Set1							AVC Set1											
D5h				25 msec				25 msec					AVC Set2							AVC Set2											
D6h				30 msec				30 msec					AVC Set3							AVC Set3											
D7h				40 msec				40 msec					AVC Set4							AVC Set4											
D8h			Enable	0 msec			1.0 sec	0 msec			2 msec	1.0 sec	10 msec			15 msec	20 msec	25 msec		30 msec	40 msec	5 msec	10 msec	15 msec	20 msec	25 msec	30 msec	40 msec			
D9h				5 msec				5 msec																					1.05MHz	1.05MHz	
DAh				10 msec				10 msec																					2.1MHz	2.1MHz	
DBh				15 msec				15 msec																					525KHz	525KHz	
DC h				20 msec				20 msec																					AVC Set1	AVC Set1	
DDh				25 msec				25 msec																					AVC Set2	AVC Set2	
DEh				30 msec				30 msec																					AVC Set3	AVC Set3	
DFh				40 msec				40 msec																					AVC Set4	AVC Set4	
E0h	30 msec	30 msec	Disable	0 msec	4 msec	1.0 sec	0.5 sec	0 msec	15 msec	20 msec	10 msec	Slow2	AVC Set1	15 msec	15 msec	2.1MHz	2.1MHz	1.05MHz													
E1h				5 msec				5 msec					1.05MHz							1.05MHz											
E2h				10 msec				10 msec					2.1MHz							2.1MHz											
E3h				15 msec				15 msec					525KHz							525KHz											
E4h				20 msec				20 msec					AVC Set1							AVC Set1											
E5h				25 msec				25 msec					AVC Set2							AVC Set2											
E6h				30 msec				30 msec					AVC Set3							AVC Set3											
E7h				40 msec				40 msec					AVC Set4							AVC Set4											
E8h			Enable	0 msec			1.0 sec	0 msec			2 msec	1.0 sec	10 msec			15 msec	20 msec	25 msec		30 msec	40 msec	5 msec	10 msec	15 msec	20 msec	25 msec	30 msec	40 msec			
E9h				5 msec				5 msec																					1.05MHz	1.05MHz	
EAh				10 msec				10 msec																					2.1MHz	2.1MHz	
EBh				15 msec				15 msec																					525KHz	525KHz	
EC h				20 msec				20 msec																					AVC Set1	AVC Set1	
EDh				25 msec				25 msec																					AVC Set2	AVC Set2	
EEh				30 msec				30 msec																					AVC Set3	AVC Set3	
EFh				40 msec				40 msec																					AVC Set4	AVC Set4	
F0h	40 msec	40 msec	Disable	0 msec	4 msec	1.0 sec	0.5 sec	0 msec	15 msec	20 msec	10 msec	Slow2	AVC Set1	15 msec	15 msec	2.1MHz	2.1MHz	1.05MHz													
F1h				5 msec				5 msec					1.05MHz							1.05MHz											
F2h				10 msec				10 msec					2.1MHz							2.1MHz											
F3h				15 msec				15 msec					525KHz							525KHz											
F4h				20 msec				20 msec					AVC Set1							AVC Set1											
F5h				25 msec				25 msec					AVC Set2							AVC Set2											
F6h				30 msec				30 msec					AVC Set3							AVC Set3											
F7h				40 msec				40 msec					AVC Set4							AVC Set4											
F8h			Enable	0 msec			1.0 sec	0 msec			2 msec	1.0 sec	10 msec			15 msec	20 msec	25 msec		30 msec	40 msec	5 msec	10 msec	15 msec	20 msec	25 msec	30 msec	40 msec			
F9h				5 msec				5 msec																					1.05MHz	1.05MHz	
FAh				10 msec				10 msec																					2.1MHz	2.1MHz	
FBh				15 msec				15 msec																					525KHz	525KHz	
FC h				20 msec				20 msec																					AVC Set1	AVC Set1	
FDh				25 msec				25 msec																					AVC Set2	AVC Set2	
FEh				30 msec				30 msec																					AVC Set3	AVC Set3	
FFh				40 msec				40 msec																					AVC Set4	AVC Set4	

Check Sum

Check Sum which has been adopted in BM81810MUF-M is shown below.

You will calculate the Check Sum that the sum of the data, including the Check Sum(CHK7 to CHK0) is 00h.

Register	[7]	[6]	[5]	[4]	[3]	[2]	[1]	[0]
00h	A7	A6	A5	A4	A3	A2	A1	A0
01h	B7	B6	B5	B4	B3	B2	B1	B0
02h	C7	C6	C5	C4	C3	C2	C1	C0
03h	D7	D6	D5	D4	D3	D2	D1	D0
04h	E7	E6	E5	E4	E3	E2	E1	E0
05h	F7	F6	F5	F4	F3	F2	F1	F0
06h	G7	G6	G5	G4	G3	G2	G1	G0
07h	H7	H6	H5	H4	H3	H2	H1	H0
08h	I7	I6	I5	I4	I3	I2	I1	I0
09h	J7	J6	J5	J4	J3	J2	J1	J0
0Ah	K7	K6	K5	K4	K3	K2	K1	K0
0Bh	L7	L6	L5	L4	L3	L2	L1	L0
0Ch	M7	M6	M5	M4	M3	M2	M1	M0
0Dh	CHK7	CHK6	CHK5	CHK4	CHK3	CHK2	CHK1	CHK0

$$[A7:A0] + [B7:B0] + [C7:C0] + [D7:D0] + [E7:E0] + [F7:F0] + [G7:G0] + [H7:H0] + [I7:I0] + [J7:J0] + [K7:K0] + [L7:L0] + [M7:M0] + [CHK7:CHK0] = 00h$$

Soft Start Time

BM81810MUF-M has soft start function on AVDD, VGH, VGL and VDD.
 Time of the soft start is up to the output voltage reaches the typ Value.
 The output voltage typ Value of each block is shown in the following table.

BLOCK	Soft Start Output Voltage Typ Value	Soft Start Time
AVDD	10.5 V	Set Register
VGH	18.0 V	5 ms
VGL	-6.0 V	5 ms
VDD	1.2 V	1 ms

The time setting Soft Start of AVDD is shown in the table below.

Bit		AVDD Soft Start Time
0	0	5 ms
0	1	10 ms
1	0	15 ms
1	1	20 ms

The soft-start time of VGH and VGL are 5ms.
 The soft-start time of VDD is 1ms.

The soft-start setting an example of AVDD and VGH are shown in the figure below.

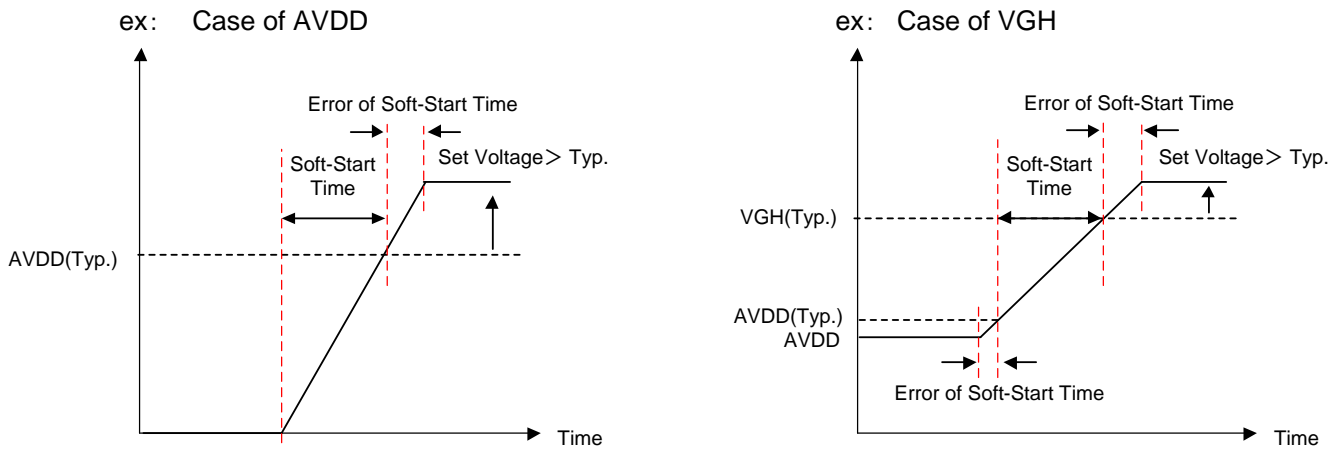


Figure 76. Soft-Start Time

If you change the setting voltage from typ values, occurs error in the soft-start time.

- The setting voltage > Typ Value ... Soft-start will be more slow.
- The setting voltage < Typ Value ... Soft-start will be more faster.

No error of soft-start is occurred for change of frequency.

Block Diagram

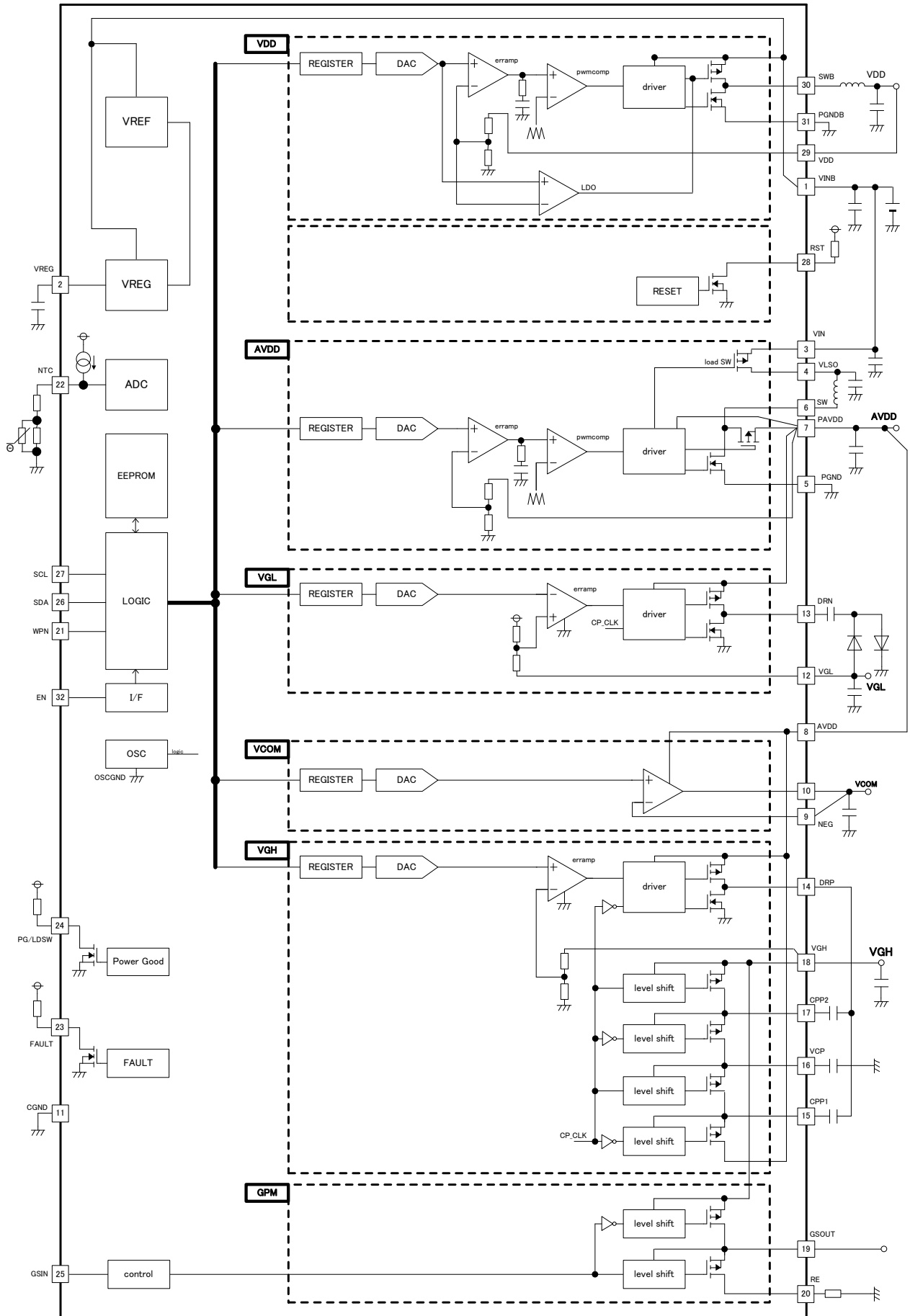


Figure 77. Block Diagram

AVDD Block Function

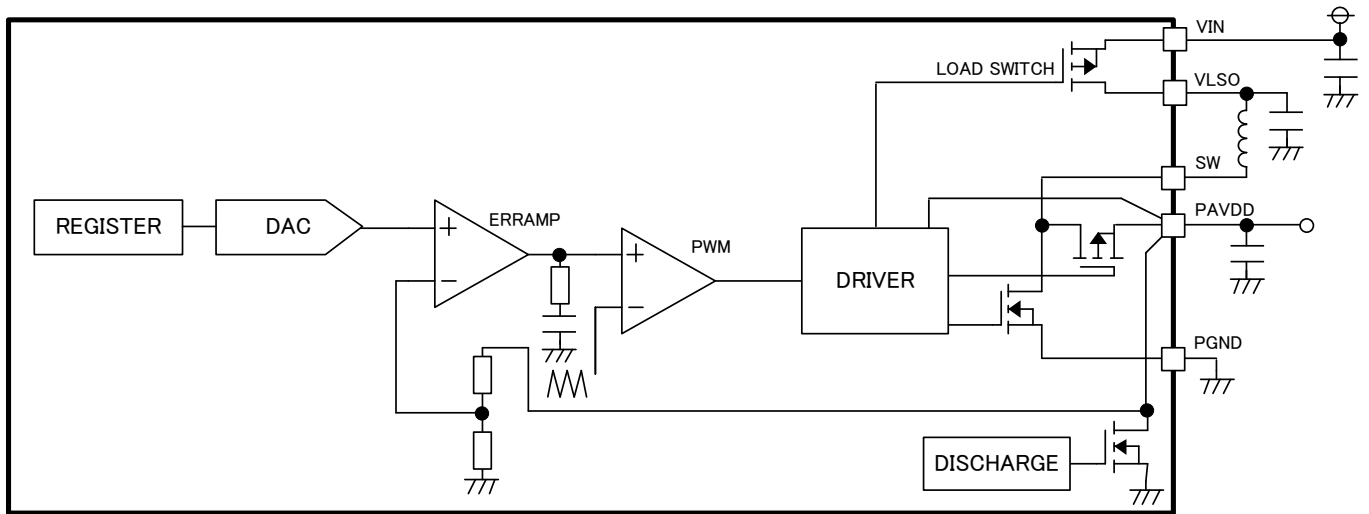


Figure 78. AVDD Block Diagram

AVDD Block (Boost DC / DC) can set the following functions by EEPROM.

1. AVDD Voltage (Register Address 00h [7:0])
AVDD voltage can be set in 0.1V step from 5.0V to 17.0V.
2. SW Switching Frequency (Register Address 0Ch [1:0])
The switching frequency can be set at 525KHz, 1.05MHz or 2.1MHz.
3. Soft Start Time (Register Address 0Bh [5:4])
Soft Start Time of AVDD can be set in 5ms step from 5ms to 20ms.
4. SW Switching Slew Rate (Register Address 0Bh [3:2])
SW pin switching Slew Rate can be controlled by the register setting.
11'b is the fastest slew rate setting, 00'b is the slowest slew rate setting.

The slew rate by each setting is as follows.

Slew Rate changes by the external part and load electric current conditions such as a coil or the diode, but adjustment is possible on a true set condition because Slew Rate changes by Slew Rate setting change like Figure 79.

The EMI properties are improved by slowing a slew rate, but please do enough evaluations after a slew rate change because efficiency becomes the tendency to decrease.

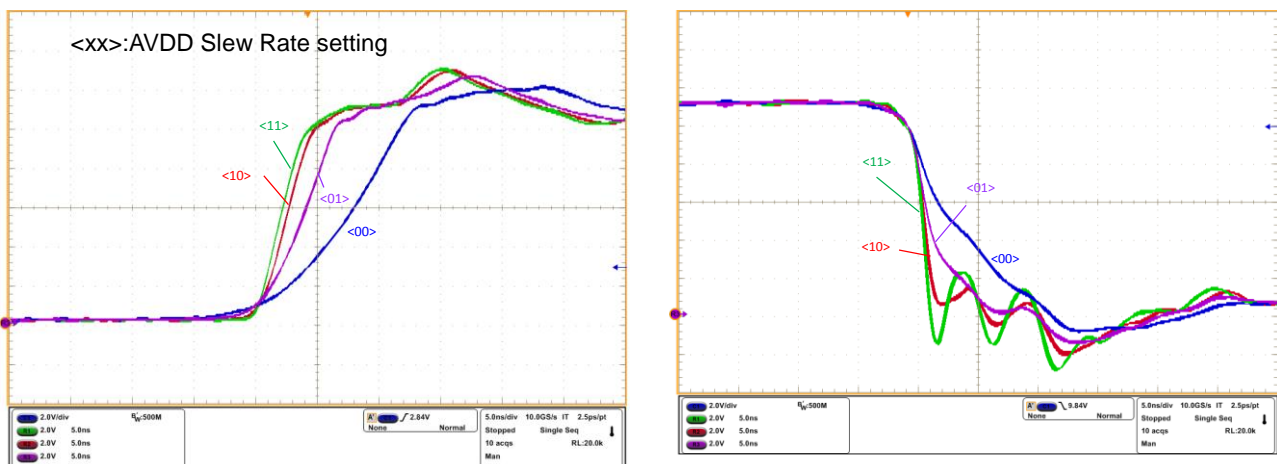


Figure 79. AVDD Switching Slew Rate
(VIN=3.3V, AVDD=10.5V, Freq=2.1MHz, L=4.7μH, IAVDD=100mA)

AVDD Block Function - continued

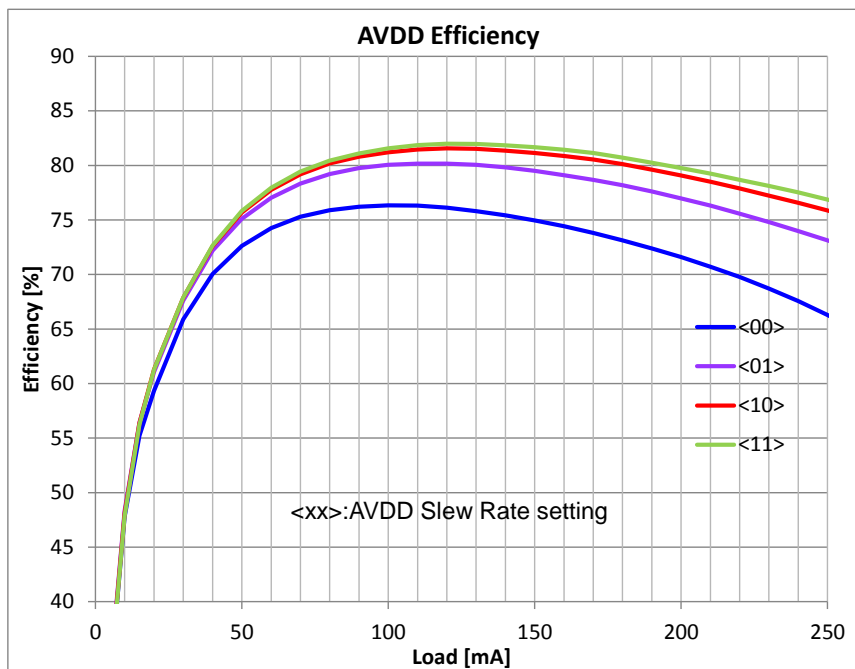


Figure 80. AVDD Efficiency (dependent on Slew Rate)
 (VIN=3.3V, AVDD=10.5V, Freq=2.1MHz, L=4.7μH, IAVDD=100mA)

5. OCP Detect Level (Register Address 0Bh [6])
 SW pin Over Current Protection detection level can be set at 1.0A(Min) or 2.0A(Min).
6. COMP Adjust (Register Address 0B [7])
 Phase Margin can be adjusted.

 0'b: AV_COMP_SET1
 1'b: AV_COMP_SET2
7. COIL Adjust (Register Address 0Bh [1:0])
 You can adjust the settings to match the coil constant to be used.

 00'b:AV_COIL_SET1
 01'b:AV_COIL_SET2
 10'b:AV_COIL_SET3
 11'b:AV_COIL_SET4

Please set the setting of COIL Adjust by frequency setting (fs) and a coil to use.

f _{osc} [kHz]	Coil[μH]	Coil Adjust 0Bh[1:0]	Comp Adjust 0Bh[7]
525	4.7	00'b	0'b
525	10	11'b	0'b
1050	4.7	00'b	0'b
1050	10	11'b	0'b
2100	4.7	00'b	0'b
2100	10	11'b	0'b

*Please become more than 10μF/25V product (GRT31CC81E106KE01) x3 with AVDD output capacitor at the time of the use with a coil of 10μH.

In addition, COMP Adjust coordinates phase constant of the ERRAMP output and is effective to shift to the zero point 25% low frequency side to produce by the ERRAMP output by making Comp Adjust 1'b and is effective in reducing ringing at the time of the load response by the responsiveness adjustment with the actual machine.

AVDD Block Function – continued

About the phase characteristic, please consider it based on enough evaluations with the actual model.

(1) Setting the Output L Constant (Boost Converter)

The coil to use for output is decided by the rating current I_{LR} and input current maximum value I_{INMAX} of the coil.

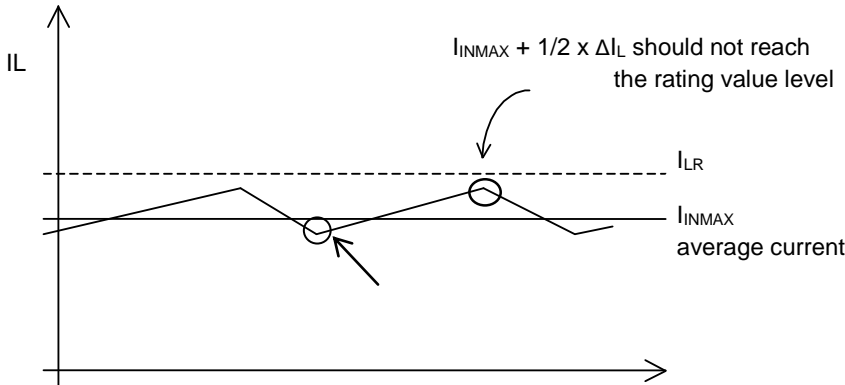


Figure 81. Coil Current Waveform

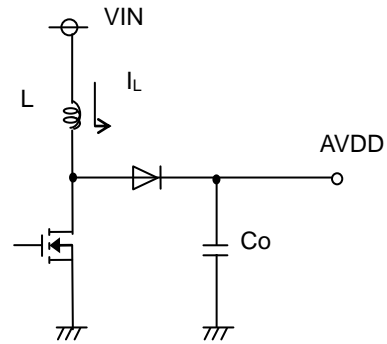


Figure 82. Output Application Circuit Diagram

Adjust so that $I_{INMAX} + \Delta I_L$ does not reach the rating current value I_{LR} . ΔI_L can be obtained by the following equation.

$$\Delta I_L = \frac{1}{L} \times V_{IN} \times \frac{AVDD - V_{IN}}{AVDD} \times \frac{1}{f} \quad [A] \quad \text{Here, } f \text{ is the switching frequency.}$$

Set with sufficient margin because the coil value may have the dispersion of $\pm 30\%$. If the coil current exceeds the rating current I_{LR} of the coil, it may damage the IC internal element.

BM81810MUF-M uses the current mode DC/DC converter control and has the optimized design at the coil value. A coil inductance (L) of 4.7 μH to 10 μH is recommended from viewpoints of electric power efficiency, response, and stability.

(2) Output Capacity Settings

For the capacitor to use for the output, select the capacitor which has the larger value in the ripple voltage V_{PP} allowance value and the drop voltage allowance value at the time of sudden load change. Output ripple voltage is decided by the following equation.

$$\Delta V_{PP} = I_{LMAX} \times R_{ESR} + \frac{1}{fC_o} \times \frac{V_{IN}}{AVDD} \times \left(I_{LMAX} - \frac{\Delta I_L}{2} \right) \quad [V]$$

Here, f is the switching frequency and R_{ESR} is ESR of output capacitor.

Perform setting so that the voltage is within the allowable ripple voltage range.

For the drop voltage during sudden load change; V_{DR} , please perform the rough calculation by the following equation.

$$V_{DR} = \frac{\Delta I}{C_o} \times 10 \mu s \quad [V]$$

However, 10 μs is the rough calculation value of the DC/DC response speed. Please set the capacitance considering the sufficient margin so that these two values are within the standard value range.

(3) Selecting the Input Capacitor

Since the peak current flows between the input and output at the DC/DC converter, a capacitor is required to install at the input side. For the reason, the low ESR capacitor is recommended as an input capacitor which has the value more than 10 μF and less than 100 m Ω . If a capacitor out of this range is selected, the excessive ripple voltage is superposed on the input voltage, accordingly it may cause the malfunction of IC.

However these conditions may vary according to the load current, input voltage, output voltage, inductance and switching frequency. Be sure to perform the margin check using the actual product.

VGH Block Function

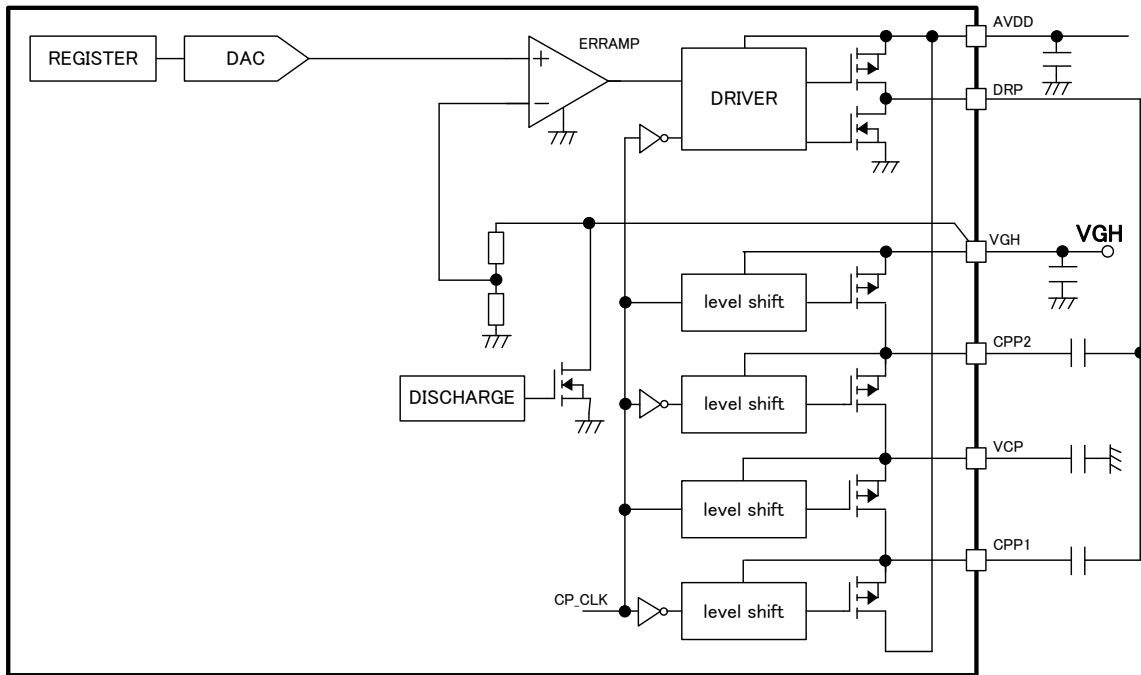


Figure 83. VGH Block Diagram

VGH Block (Positive Charge Pump) can set below functions by EEPROM.

1. VGH (HOT) Voltage (Register Address 01h [7:0])
VGH (HOT) voltage can be set in 0.2V step from 8.0V to 35.0V.
2. DRP Switching Frequency (Register Address 0Ch [5:4])
Switching frequency can be set at AVDD frequency x1, x1/2, or x1/4.
3. VGH (COLD) Voltage (Register Address 02h [6:0])
To set VGH (COLD) voltage can have the VGH voltage relates to NTC Pin voltage, when NTC Function is used.
VGH (COLD) voltage range can be set in 0.2V step from VGH (HOT) + 0V to VGH (HOT) + 15.0V.
Refer "NTC Block Function" for the detail description of NTC Function.
4. VGH Mode Select (Register Address 0Ch [6])
Boost Stage of Positive Charge Pump can be set by x2, x3, or x4.
x2, x3 can be formed with internal element by EEPROM setting.
x4 can be formed by connecting with external Diode.
Since this function switch needs to change the application construction,
input writing signal by I2C cannot perform Register writing.
To write this Register setting, start-up bit(REG0Ch[7]) should be "0".

The VGH voltage output range with the AVDD voltage is related, and may take UVP without being able to output the VGH voltage of the setting when do not choose appropriate constitution.
Please choose appropriate constitution referring after the following pages.

5. VGH Discharge enable (Register Address 0Ah [7])
When OFF sequence, VGH pin Discharge function can be Enable/Disable.
This function is to confirm when IC starts to operate. If read-and-write is performed after IC starts, the first time OFF sequence will not be reflected.

VGH Block Function - continued

Application Example for VGH (3rd Stage Positive Charge Pump)

Depending on the circuit construction, output voltage range of Charge Pump can be limited.

Besides, increasing VGH negative current can lower the possible output voltage.
Please consider the actual application need to select appropriate circuit construction.

Below Figure shows the circuit construction of 3rd Stage Positive Charge Pump.
Under this circuit, the possible setting range of VGH output voltage is $(AVDD + 2) V$ to $(AVDD \times 3 - 2) V$.
(When VGH negative current is 0mA)

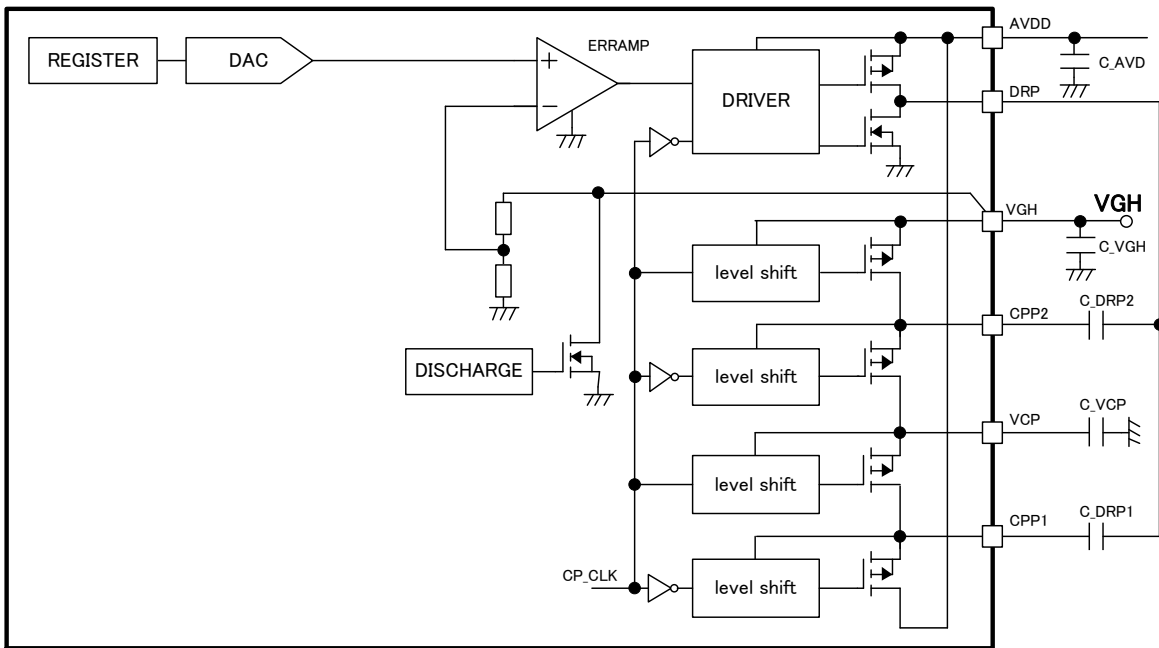


Figure 84. 3rd Stage Positive Charge Pump

Application Example for VGH (2nd Stage Positive Charge Pump)

Below Figure shows the circuit construction of 2nd Stage Positive Charge Pump.
Under this circuit, the possible setting range of VGH output voltage is $(AVDD + 1) V$ to $(AVDD \times 2 - 1) V$.
(When VGH negative current is 0mA)

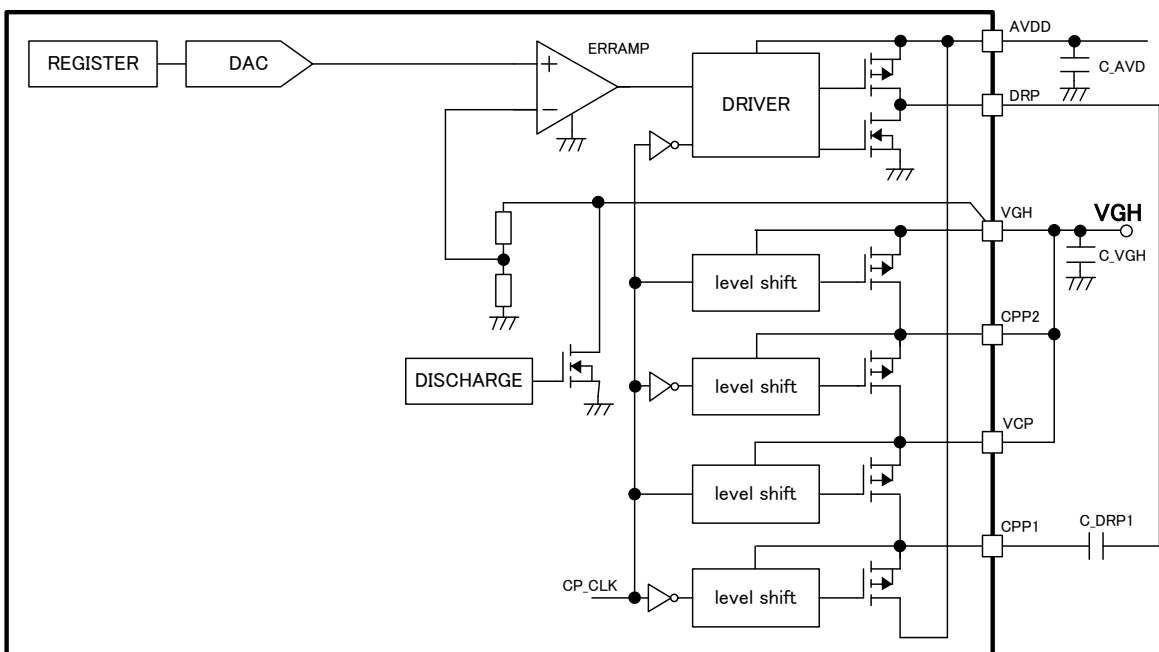


Figure 85. 2nd Stage Positive Charge Pump

VGH Block Function - continued

Application Example for VGH (4th Stage Positive Charge Pump)

Below Figure shows the circuit construction of 4th Stage Positive Charge Pump.
 Under this circuit, the possible setting range of VGH output voltage is $(AVDD + 3) V$ to $(AVDD \times 4 - 3) V$
 (When VGH negative current is 0mA)

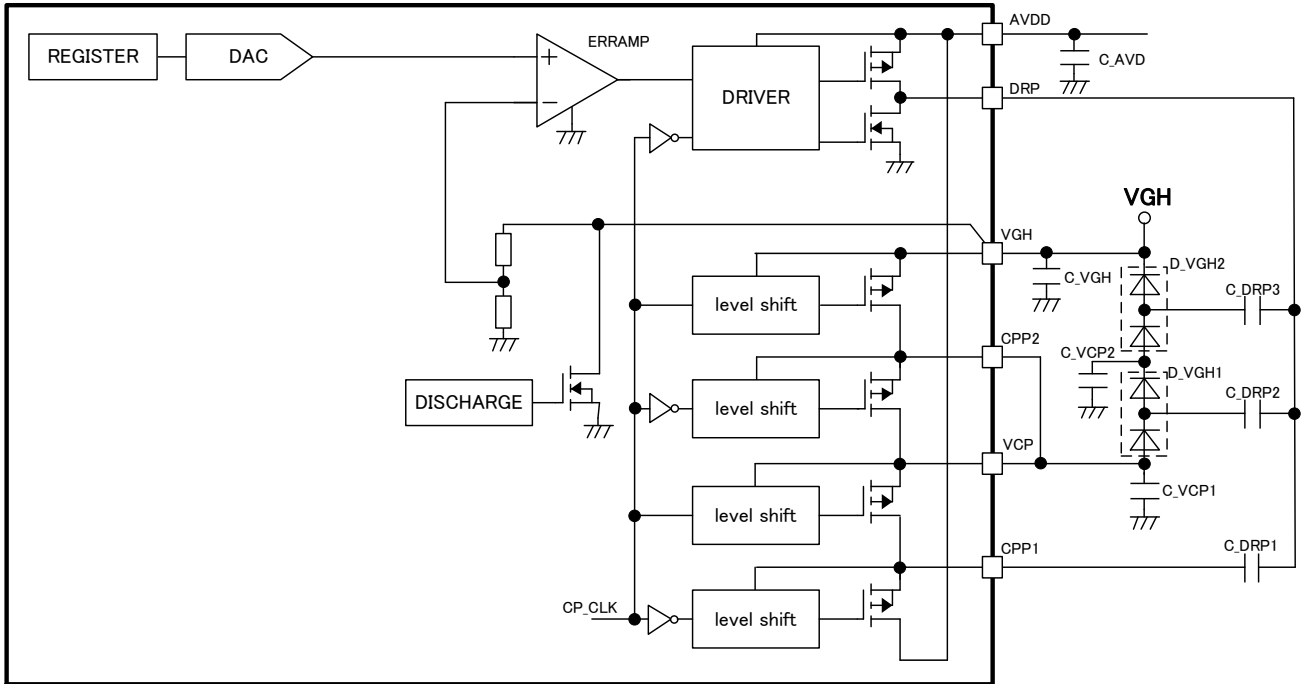


Figure 86. 4th Stage Positive Charge Pump

VGL Block Function

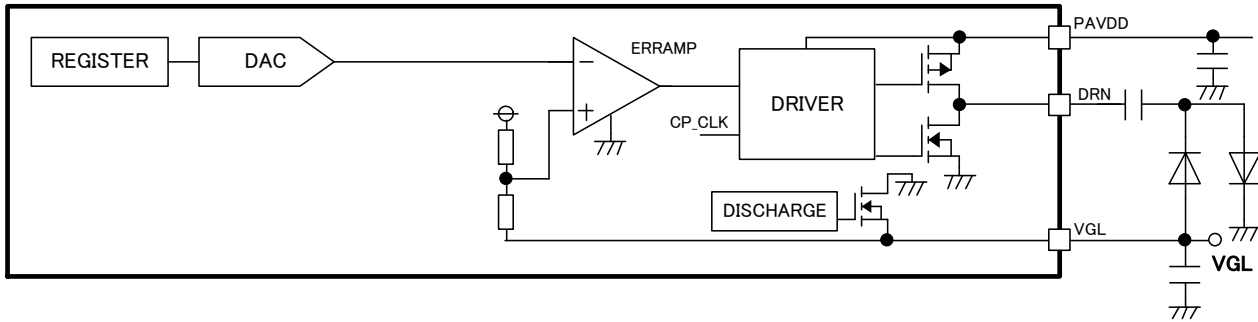


Figure 87. VGL Block Diagram

VGL Block (Negative Charge Pump) can set below functions by EEPROM.

1. VGL Voltage (Register Address 03h [7:0])
VGL voltage can be set by 0.1V step from -4.0V to -14.0V.
2. DRN Switching Frequency (Register Address 0Ch [5:4])
Switching frequency can set AVDD frequency x1, x1/2, or x1/4.

Application Example for VGL (1st Stage Negative Charge Pump)

Below Figure shows the circuit construction of 1st Stage Negative Charge Pump. Under this circuit, the possible setting range of VGL output voltage is -4 V to -(AVDD – 2Vf) V (When VGL positive current is 0mA)

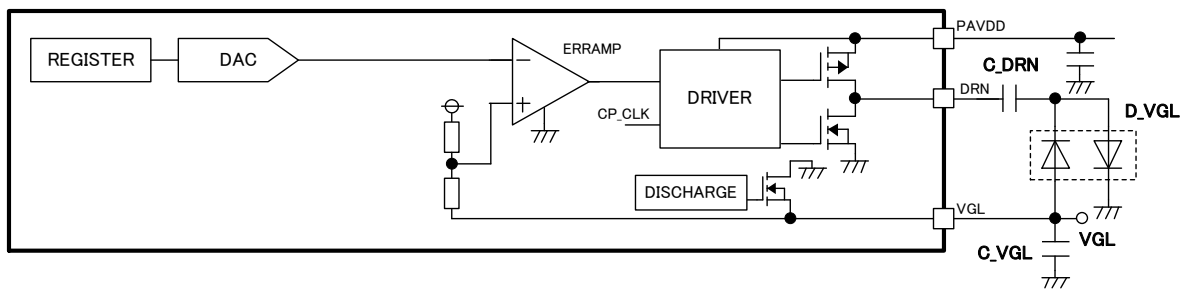


Figure 88. 1st Stage Negative Charge Pump

Application Example for VGL (2nd Stage Negative Charge Pump)

Below Figure shows the circuit construction of 2nd Stage Negative Charge Pump. Under this circuit, the possible setting range of VGL output voltage is -4 V to -(AVDDx2 – 4Vf) V (When VGL positive current is 0mA)

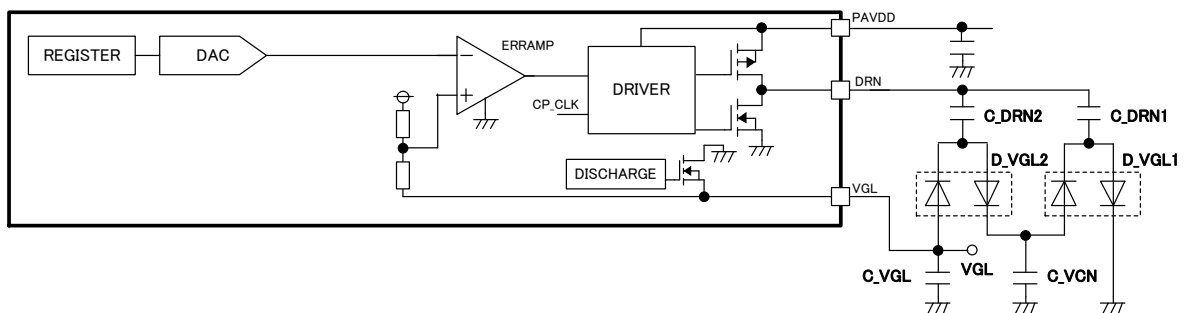


Figure 89. 2nd Stage Negative Charge Pump

VCOM Block Function

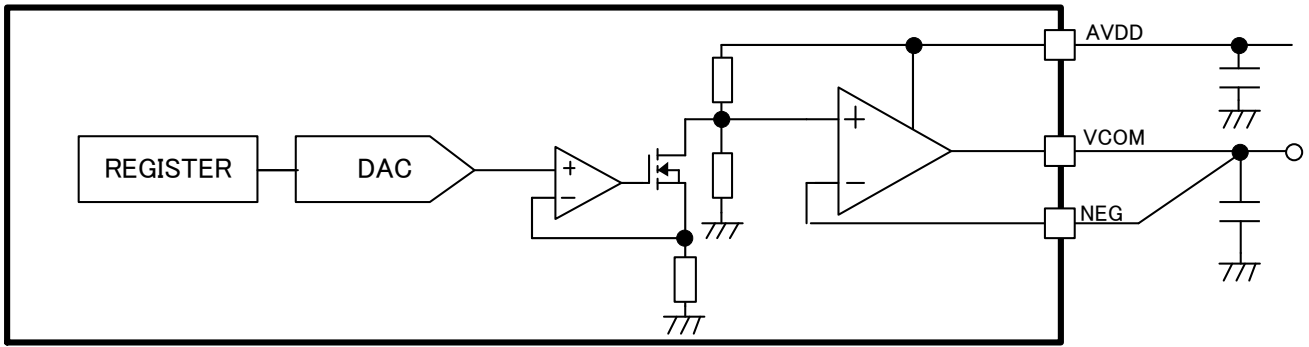
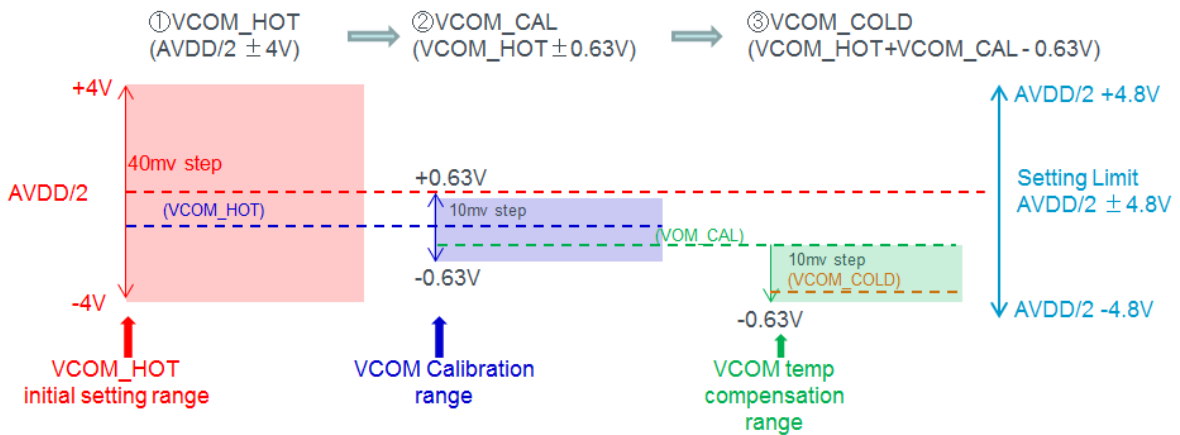


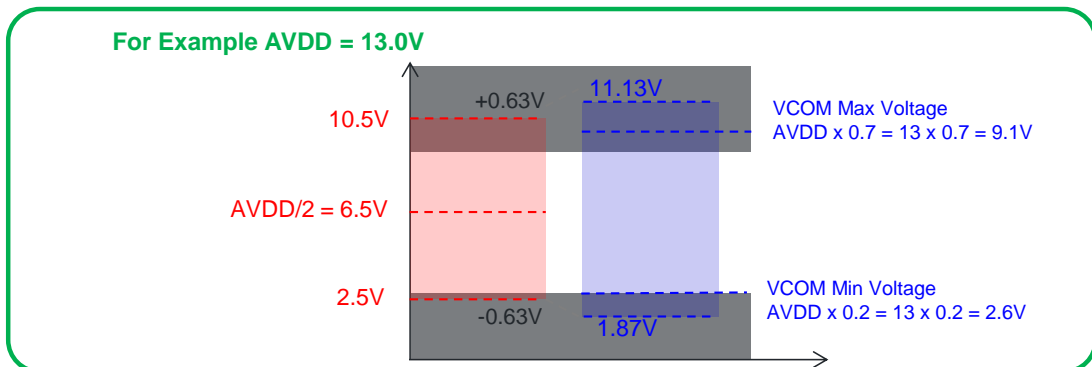
Figure 90. VCOM Block Diagram

VCOM Block (VCOM Calibrator) can set below functions by EEPROM.

1. VCOM (HOT) Voltage (Register Address 04h [7:0])
 VCOM (HOT) voltage can be set by 40mV step from AVDD/2 +/- 0.0V to 4.0V.
2. VCOM (CAL) Voltage (Device Address 1001111x)
 VCOM (CAL) voltage is the function to make minor adjustment of VCOM (HOT) voltage value.
 VCOM (HOT) can be set by 10mV step from +/- 0.0V to 0.63V.
 Refer Page 19, "EEPROM I2C Format for DVR (VCOM calibrator)" for VCOM (CAL) voltage setting.
3. VCOM (COLD) Voltage (Register Address 05h [6:0])
 To set VCOM (COLD) voltage can have the VCOM voltage relates to NTC Pin voltage, when NTC Function is used.
 VCOM (COLD) voltage range can be set by 10mV step from VCOM (CAL)-0V to VCOM (CAL)+0.63V.
 Refer "NTC Block Function" for the detail description of NTC Function.



However, VCOM output voltage setting range is AVDD x0.7 to AVDD x0.2 or AVDD/2+4.8V to AVDD/2-4.8V.



VDD Block Function

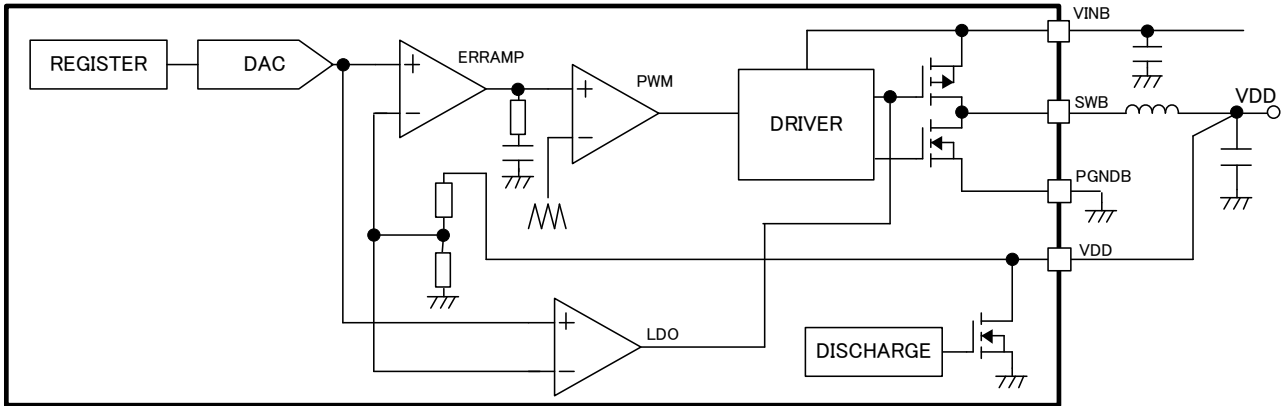


Figure 91. VDD Block Diagram

VDD Block (Buck DC/DC) can set below functions by EEPROM.

1. VDD Voltage (Register Address 06h [5:0])
VDD voltage can be set by 0.05V step from 0.9V to 3.4V.
2. SWB Switching Frequency (Register Address 0Ch [3:2])
Switching frequency can be set at 525KHz, 1.05MHz, or 2.1MHz.
3. VDD Phase Adjust (Register Address 06h [7])
Phase Margin can be adjusted.

0'b : VD_Phase_Set1
1'b : VD_Phase_Set2

VIN[V]	VDD[V]	VDD Phase Adjust
5	0.9 to 1.25	1'b
	1.3 to	0'b
3.3	0.9 to	0'b

Set VDD Phase Adjust 1'b when On-duty < 25%.

4. VDD Mode Select (Register Address 06h [6])
VDD Block can be switched to DC/DC or LDO Mode.
Since this function switch needs to change the application construction, input writing signal by I2C cannot perform Register writing.
To write this Register setting, start-up bit(REG0Ch[7]) should be "0".

VDD Block Function – continued

Application Example for VDD (Buck DC/DC)

VDD application can select Buck DC/DC or LDO by “VDD Mode Select” of EEPROM setting. When VDD Mode is selected at “0”, Buck DC/DC operates. Below figure shows example of Buck DC/DC application circuit.

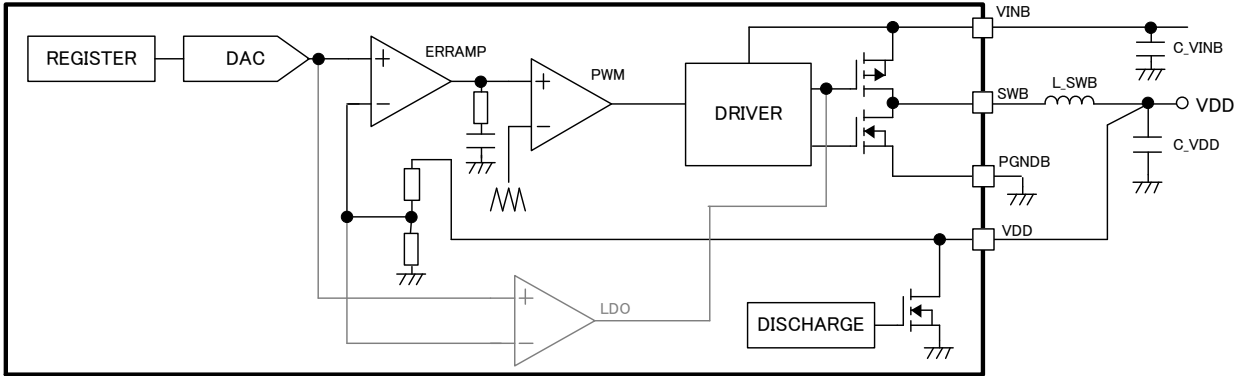


Figure 92. VDD Block Diagram(Buck DC/DC)

Application Example for VDD (LDO)

When VDD Mode is selected at “1”, LDO operates. Below figure shows example of LDO application circuit.

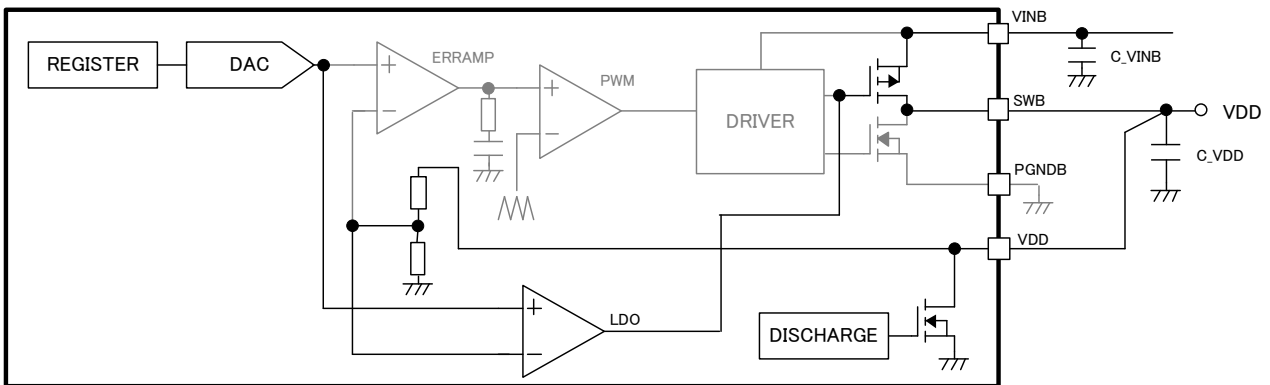


Figure 93. VDD Block Diagram(LDO)

C_VDD in LDO mode, please use 1.0μF to 10μF.

In addition, when VDD function is not used, please set in VDD LDO mode, and, please connect capacitor more than 1.0μF.

GPM Block Function

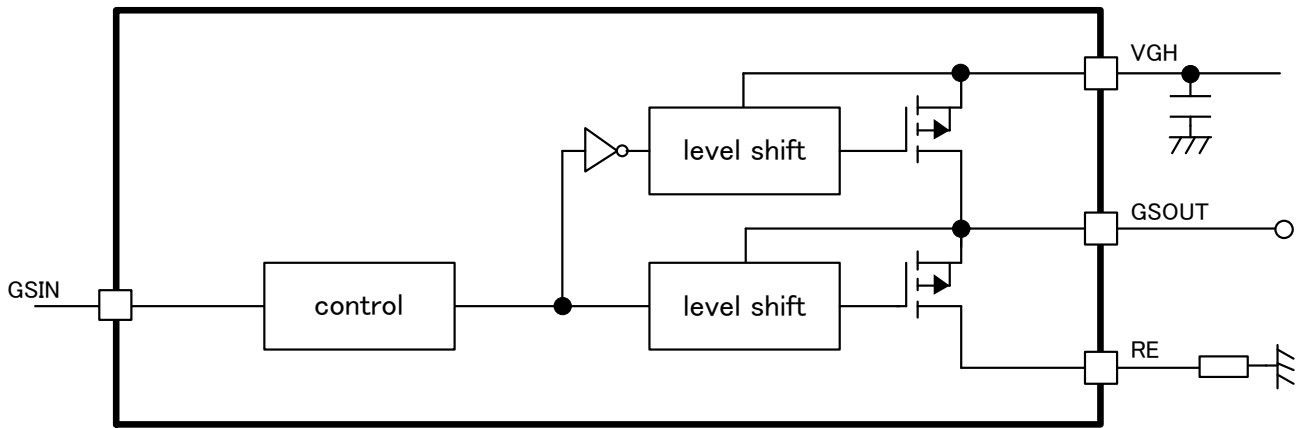


Figure 94. GPM Block Diagram

GPM Block (Gate Pulse Modulation) can set below functions by EEPROM.

1. Input Delay Time (Register Address 07h [7:6])
Falling timing of input signal can be set at 0.1μs, 0.5μs, 1.0μs, or 1.5μs.

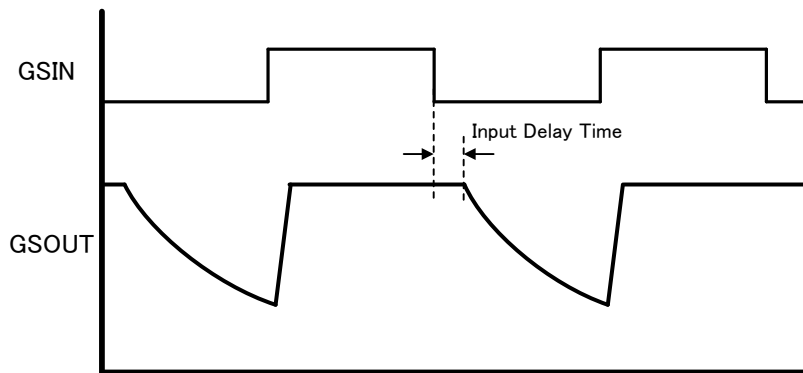


Figure 95. GPM Input Delay Time

Pin connection when GPM is not used

When GPM function is not used, connect GSIN pin to VIN.
Connect RE pin to resistance (2.0kΩ).
GSOUT pin should be OPEN.

RESET Block Function

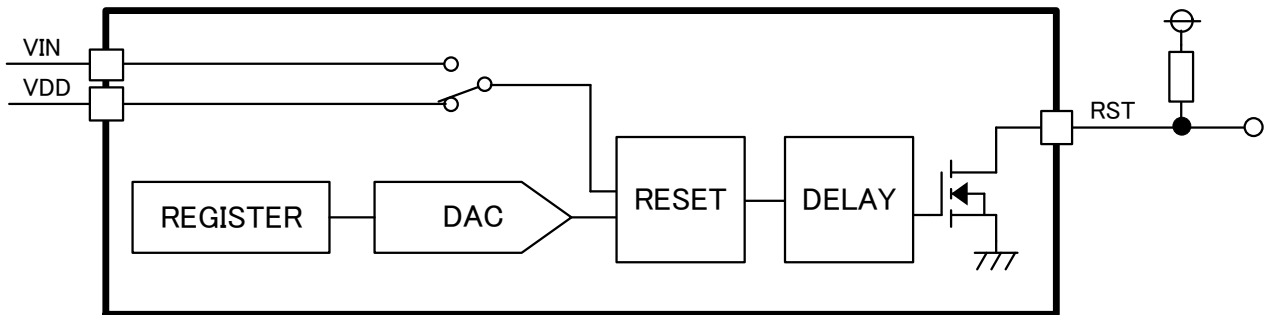


Figure 96. RESET Block Diagram

RESET Block can set below functions by EEPROM.

1. RESET Detect Voltage (Register Address 07h [4:0])
RESET detection voltage can be set by 0.1V step from 0.6V to 3.3V.
2. RESET Monitor Select (Register Address 07h [5])
RESET detection pin can select from VDD and VIN.
3. Delay2 Time (Register Address 09h [2:0])
RESET detection time can be set from 0ms to 40ms.

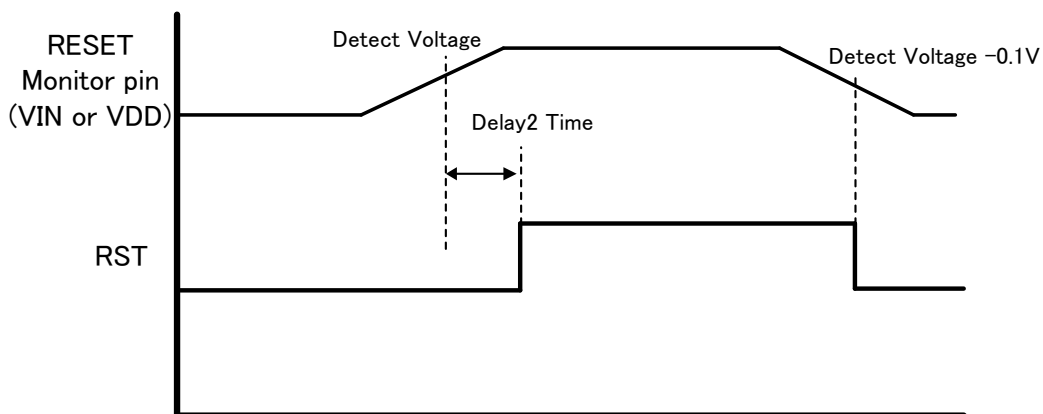


Figure 97. RESET Function

PG/LDSW Block Function

PG/LDSW Block can switch PG (Power Good) and LDSW (Load Switch) function by EEPROM.

Case of PG Function,

When GPM Block becomes workable, PG pin will change from High to Low to recognize as all boost sequence is completed.

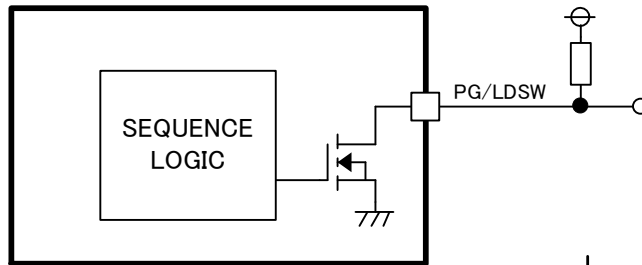
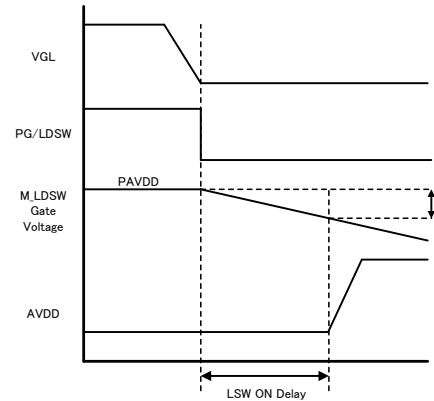


Figure 98. PG/LDSW Block Diagram



Case of LDSW Function,

This function is used when VGL voltage output is prior to AVDD voltage output. With below application construction, "Timing Chart 3" sequence can be realized.

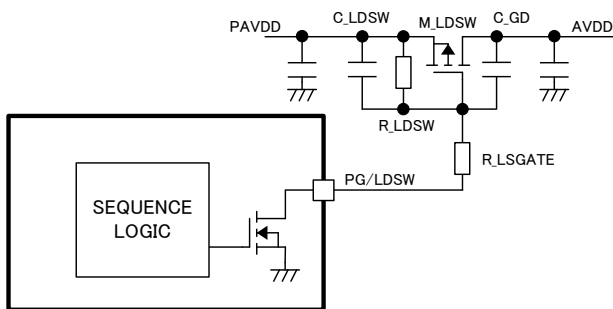


Figure 99. LDSW Function

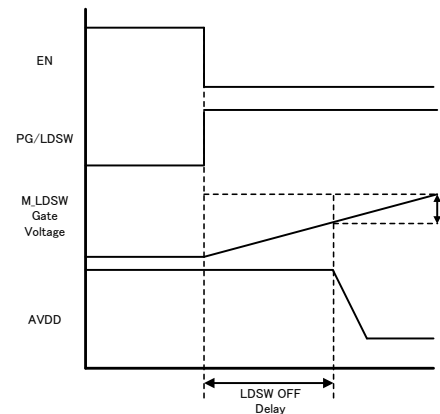


Figure 100. LDSW Delay Time

LDSW on delay can be set by the formula below.

$$LDSW\ ON\ Delay = -C_{LDSW} \times \left(\frac{R_{LSGATE} \times R_{LDSW}}{R_{LSGATE} + R_{LDSW}} \right) \ln \left(1 - \frac{R_{LSGATE} + R_{LDSW}}{R_{LDSW}} \times \frac{V_{th}}{AVDD} \right) [sec]$$

LDSW off delay can be set by the formula below.

$$LDSW\ OFF\ Delay = -C_{LDSW} \times R_{LDSW} \times \ln \left(\frac{R_{LSGATE} + R_{LDSW}}{R_{LDSW}} \times \frac{V_{th}}{AVDD} \right) [sec]$$

where:

AVDD is AVDD setting voltage.

Vth is M_LDSW gate threshold voltage

When using the LDSW function, set the delay3 time to be longer than or equal to the sum of the maximum value including the variation of the load switch ON delay time and VGL soft start time. If the delay3 time setting is short, UVP is applied at startup.

NTC Block Function

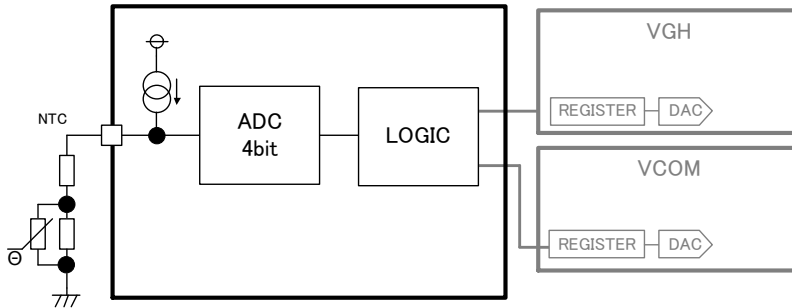


Figure 101. NTC Block Diagram

NTC Block is the function to adjust VGH, VCOM voltage depending on NTC pin voltage.
 NTC pin will output 40μA (Typ) current.
 Connecting thermistor element can perform temperature adjustment function.

Below functions can be set by EEPROM.

1. VGH NTC Enable (Register Address 02h [7])
 VGH Block NTC Function can be changed to Enable or Disable.
2. VCOM NTC Enable (Register Address 05h [7])
 VCOM Block NTC Function can be changed to Enable or Disable.

Pin connection when NTC is not used.

When NTC function is not used, connect NTC pin to OPEN.

EN Block Function

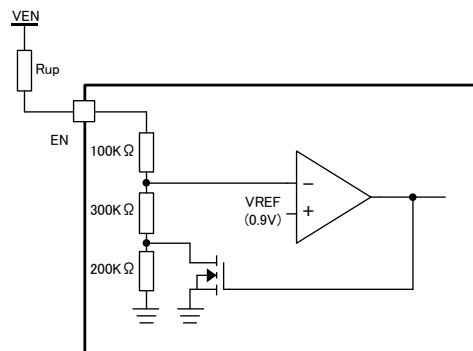


Figure 102. EN Block Diagram

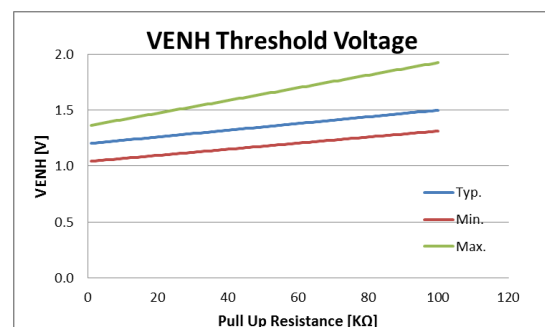
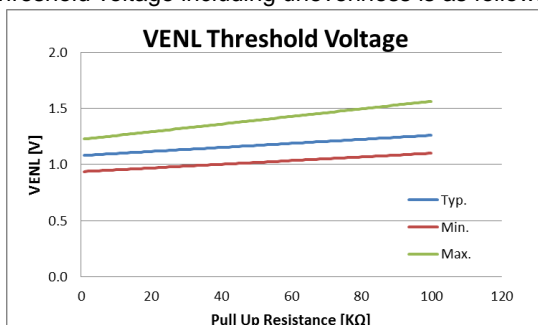
When inserting resistor to EN terminal, EN threshold voltage is decided by resistance division with internal resistor.

Threshold Voltage calculation;

$$\text{EN threshold voltage high typical (VENH)} = 0.9/300 \times (400 + R_{up}) \text{ [V]}$$

$$\text{EN threshold voltage low typical (VENL)} = 0.9/500 \times (600 + R_{up}) \text{ [V]}$$

The EN threshold voltage including unevenness is as follows;



VGH and VCOM temperature compensation

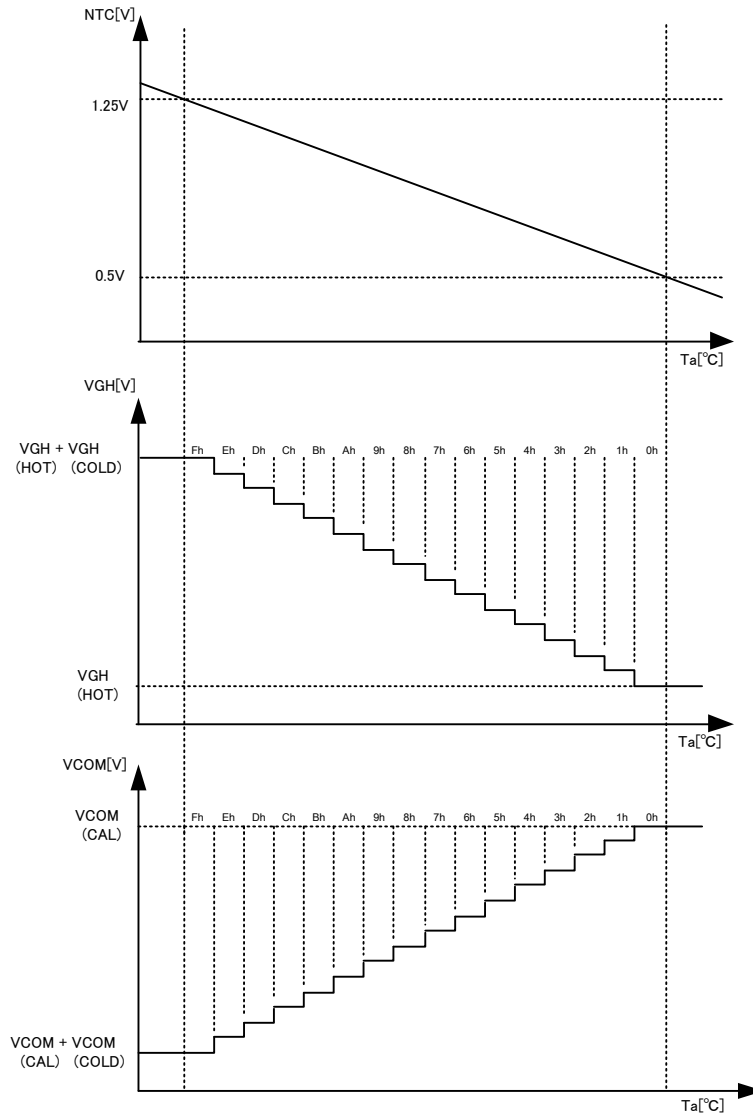


Figure 103. NTC Function

NTC Function can adjust VGH, VCOM voltage depending on NTC voltage (VN_{TC}).
4 bit ADC is used to detect NTC voltage.

When NTC pin voltage VN_{TC} ≤ 0.5V, NTC function will judge as HOT setting.
In this case, VGH and VCOM output voltage can be calculated by below formula.

$$\begin{aligned} VGH &= VGH (HOT) \\ VCOM &= VCOM (CAL) \end{aligned}$$

When NTC pin voltage VN_{TC} ≥ 1.25V, NTC function will judge as COLD setting.

$$\begin{aligned} VGH &= VGH (HOT) + \Delta VGH (COLD) \\ VCOM &= VCOM (CAL) - \Delta VCOM (COLD) \end{aligned}$$

When NTC pin voltage is 0.5V < VN_{TC} < 1.25V, VGH and VCOM can be estimated by below formula.

$$VGH = \frac{\Delta VGH(COLD)}{15} * \left(ROUNDUP \left(\frac{VN_{TC} - 0.5V}{0.047V} \right) - 1 \right) + VGH(HOT) [V]$$

$$VCOM = VCOM(CAL) - \frac{\Delta VCOM(COLD)}{15} * \left(ROUNDUP \left(\frac{VN_{TC} - 0.5V}{0.047V} \right) - 1 \right) [V]$$

FAULT Block Function

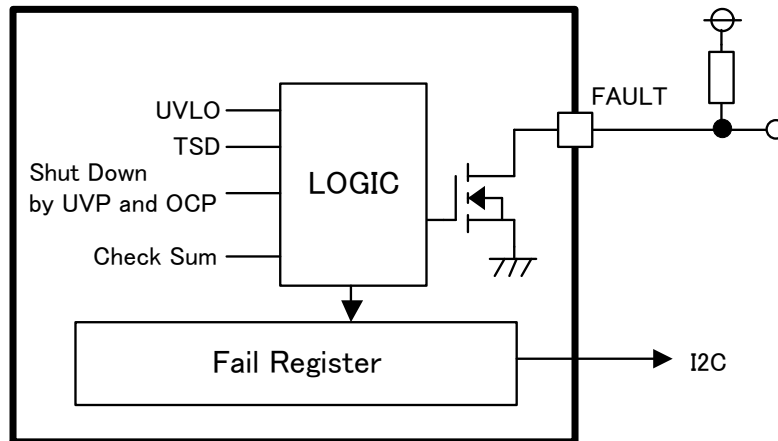


Figure 104. FAULT Block Diagram

FAULT Function is to inform IC situation to outside.
 When the operation is normal, FAULT pin will be High.
 When the operation is abnormal, FAULT pin will be Low.

Below are the conditions to have FAULT pin to Low.

- I. Detect UVLO
- II. Start TSD
- III. Shutdown by UVP or OCP
- IV. Check Sum NG

Fail Register Function

When FAULT PIN is Low, it is possible to confirm which protection circuit is activating by reading Data from Fail Register.

Fail Register will reflect the protection detected circuit at the moment of FAULT=Low
 Register Address of Fail Register is 10h.

Register Address	D7	D6	D5	D4	D3	D2	D1	D0
10h	AVDD UVP	VDD UVP	VGH UVP	VGL UVP	Double Register Error	AVDD OCP	TSD	Check sum Error

Fail Register does not have EEPROM writing function.
 When VIN UVLO is detected, the data will be deleted.

Protection function explanation of POWER MANAGEMENT block

- I. UNDER VOLTAGE LOCK OUT (UVLO)
The BM81810MUF-M has UVLO function for VIN and a circuit miss-operation during in under UVLO voltage operation is prevented. If VIN below UVLO voltage, it shuts down VDD, AVDD, VGH, VGL, GPM, VCOM and RESET.
- II. THERMAL SHUTDOWN (TSD)
The BM81810MUF-M incorporates a Thermal Shut Down (TSD) function. If IC temperature exceeds 175°C (TYP), it shuts down VDD, AVDD, VGH, VGL, GPM, VCOM and RESET.
- III. UNDER VOLTAGE PROTECTION (UVP)
This block has Under Voltage Protection (UVP) function for VDD, AVDD, VGH and VGL output. When detecting UVP, inner Counter will be activated, and after 5ms passed, it shuts down VDD, AVDD, VGH, VGL, GPM, and VCOM. (It also shuts down RESET when RESET monitors VDD voltage.)
- IV. OVER VOLTAGE PROTECTION (OVP)
This block has Over Voltage Protection (OVP) function for AVDD output. When detecting OVP, output voltage rising is limited by forcing Switching turn off. If output voltage falls, Switching is restarted.
- V. OVER CURRENT PROTECTION (OCP)
This block has Over Current Protection (OCP) function for VDD and AVDD. When detecting OCP, it controls Switching and limits generating over current in FET.

BLOCK	Protective Function	Working Condition	Action	Protective removal
VDD	Over current Protection (Buck DCDC mode)	ISWB > 1.0 A (Min)	Control switching pulse duty to not over current limit	ISWB < 1.0 A (Min)
	Over current Protection (LDO mode)	ISWB > 0.3 A (Min)	Control LDO to not over current limit.	ISWB < 0.3 A (Min)
	Under Voltage Protection	Detect : VDD<Target value x 0.8 Release : VDD>Target value x 0.9	IC shutdown if UVP status maintains during 5ms	IC restart
AVDD	Over Voltage Protection	AVDD > (Target value x 1.1)	Switching STOP	AVDD < (Target Value x 1.05)
	Over current Protection	ISW > 1.0 A (Min) or 2.0 A (Min)	Control switching pulse duty to not over current limit	ISW < 1.0 A (Min) or 2.0 A (Min)
			IC shutdown if OCP status maintains during 5ms	IC restart
Under Voltage Protection	Detect : AVDD<Target value x 0.8 Release : AVDD>Target value x 0.9	IC shutdown if UVP status maintains during 5ms	IC restart	
VGH	Under Voltage Protection	Detect : VGH<Target value x 0.8 Release : VGH>Target value x 0.9	IC shutdown if UVP status maintains during 5ms	IC restart
VGL	Under Voltage Protection	Detect : VGL>Target value x 0.8 Release : VGL<Target value x 0.85	IC shutdown if UVP status maintains during 5ms	IC restart
General	Under Voltage Lockout	VIN < 2.0V (Min)	IC shutdown	VIN > 2.55V (Typ)
	Thermal shutdown	Tj > 175°C (Typ)	IC shutdown	Tj < 150°C (Typ)

Double Register

BM81810MUF-M can perform various setting by Register.

If these settings are changed without intension, to avoid application abnormal operation, certain specific Register has error detection function.

Below shows the Register with anomaly detection function.

Register Address	D7	D6	D5	D4	D3	D2	D1	D0
00h	AVDD Output Voltage							
01h	VGH HOT Output Voltage							
02h	VGH NTC Enable	△VGH COLD Voltage						
03h	VGL Output Voltage							
04h	VCOM HOT Output Voltage							
05h	VCOM NTC Enable	VCOM COLD Voltage						
06h	VDD Phase	VDD MODE	VDD Output Voltage					
07h	GPM Input Delay		Reset Monitor Select	Reset Voltage				
08h	Function Select	Delay1 time				Discharge time		
09h	Data Refresh	Delay3 time			DoubleReg	Delay2 time		
0Ah	VGH Discharge Enable	Delay5 time			AR_Time	Delay4 time		
0Bh	AVDD COMP	AVDD OCP Select	AVDD SS Time		AVDD SW Slew Rate		AVDD COIL	
0Ch	Start-up Bit	VGH mode select	VGH/VGL Frequency		VDD Frequency		AVDD Frequency	
0Dh	Check Sum							
10h	AVDD UVP	VDD UVP	VGH UVP	VGL UVP	Double Register Error	AVDD OCP	TSD	Check sum Error

Double Register correspond BIT

Data Refresh

Data Refresh is the Function to read Data from EEPROM periodically.

If Register setting is suddenly changed without intension, Data Refresh function can read Data from EEPROM to recover to the normal Data.

Data Refresh performs at certain cycle period.

The time of period can be set by Register at 0.5s or 1.0s.

In the case of WPN=Low, Double Register Function and Data Refresh Function can be set by Register as Enable or Disable. Below table shows the function by each combination.

In the case of WPN=High, Double Register Function and Data Refresh Function are Disable.

WPN	Data Refresh	Double Register	Data Refresh Operation	Double Register Check
Low	0 : Disable	0 : Disable	Disable	Disable (Keep working even logic abnormality happens)
Low	0 : Disable	1 : Enable	Disable	Enable (First shutdown once logic abnormality detects. After Fault to be low for 1msec, then re-start)
Low	1 : Enable	0 : Disable	Enable (Data Refresh at set period)	Disable (Keep working even logic abnormality happens)
Low	1 : Enable	1 : Enable	Enable (Data Refresh at set period)	Enable (Perform Data Refresh once logic abnormality detects)
High	-	-	Disable	Disable (Keep working even logic abnormality happens)

PCB Layout Guide

GND Wiring Pattern

The high current GND (PGND) should be wired thick. To reduce line impedance, the GND lines must be as short and thick as possible and uses few via. Therefore design at PCB board four layers or above is recommended. (Please use the middle layer as GND shielding and directly connect each GND.) In the case of two layers or less at PCB board designs, please enough confirm with the actual model about the heat and the noise with care to a GND wiring.



Switching-Line Wiring Pattern

The wiring from switching line (SW pin) of DC/DC converter to inductor and diode must be as short and thick as possible. If a wiring is long, ringing by switching increases, and the voltage over the resistance of this IC might be generated. Please note that switching line does not vary PCB layer. Switching line and wiring easily affected by noise such as feedback line must be placed separately. Switching noise spread may cause the lack of operation stability. In case the multi-layer PCB board, please note that a switching line and a line easily affected by noise or the external components are not adjacent between layers. Drawing GND shield line between switching line and these lines easily affected by noise is recommended if these lines are placed close.

Power Supply Voltage Line Wiring Pattern

For power supply voltage (VIN, VINB, VLISO, PAVDD, AVDD, VGH), place smooth capacitor nearby IC pin. Please note that smooth capacitor does not vary PCB layer.

The figure 105 shows an application circuit on the basis of the basic PCB layout pattern guideline mentioned above.

- ◆ Bold line: High current line
- ◆ Blue line(two dots and dashed line): Wiring easily affected by noise
- ◆ Red line (dashed line): Noise source line such as switching line.
- ◆  Place smooth capacitor nearby IC pin
- ◆  D_SW locates it near SW terminal / PAVDD terminal of BM81810MUF-M, and a current loop of SW terminal ••• SBD
- ◆ ••• PAVDD, please become as short as possible.

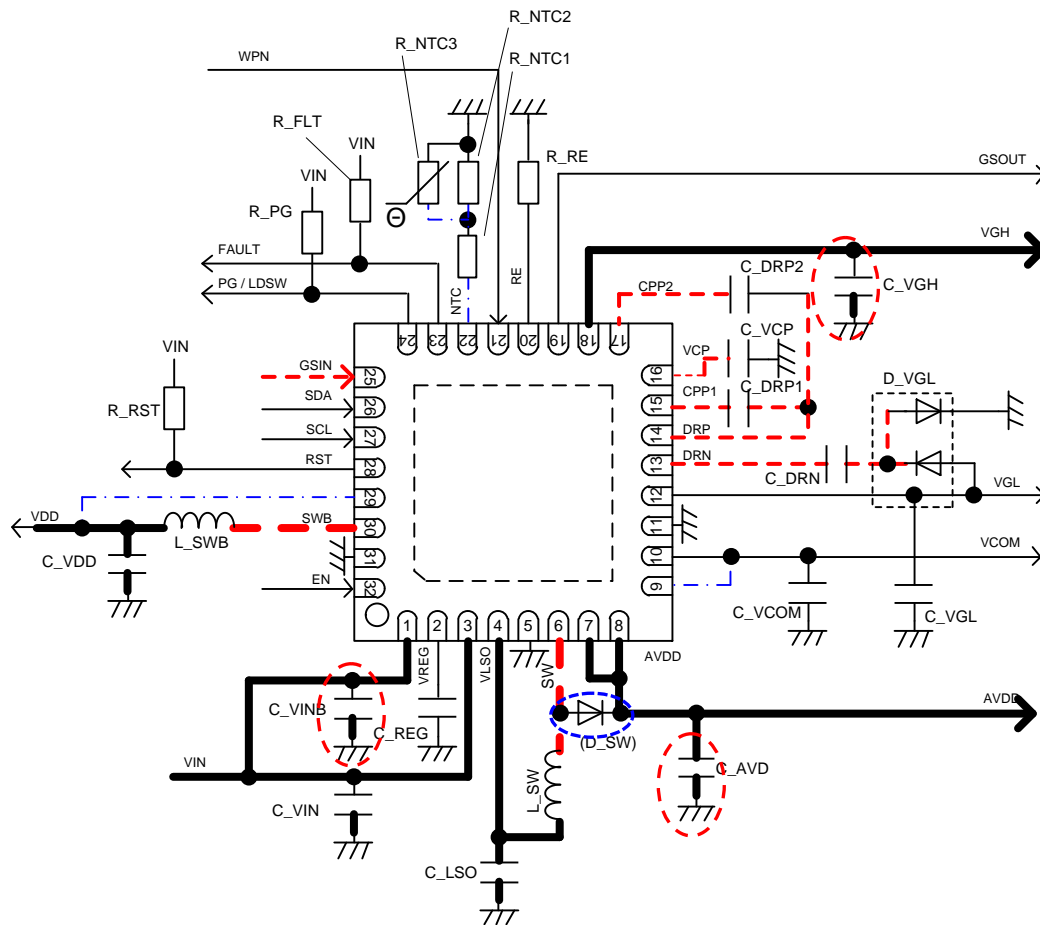


Figure 105. PCB Layout Indications

EMC Layout Guide

Introduce the plan that can design on the PCB as EMC measures.

Measures by the board pattern

- Wire AVDD line briefly thickly. (1)
- Wire the current loop of Boost DC/DC briefly thickly. (2)

Measures by the external component

- Insert a common mode filter or a beads coil in the AVDD line and form the EMC filter. (3)
- Place output capacitor and small capacitor (10pF - 1,000pF) in parallel. (4)
- Insert the snubber circuit in SW pin. (Assumed the efficiency becomes worse) (5)

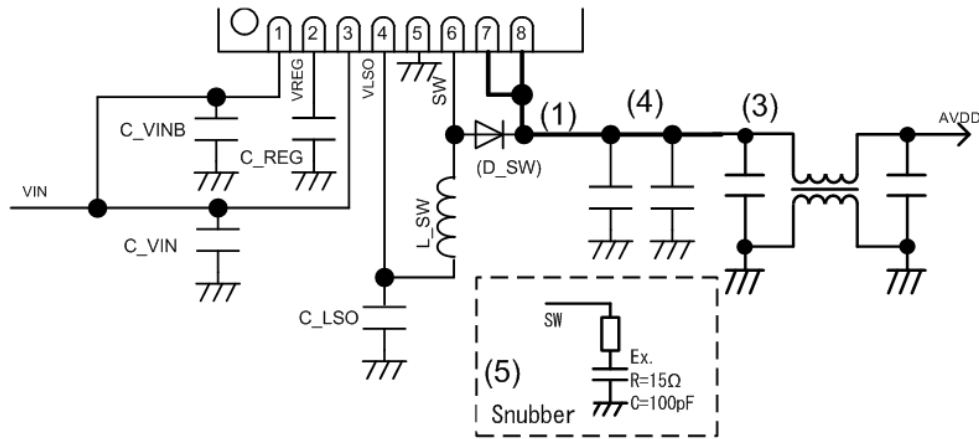


Figure 106. EMI Circuit 1

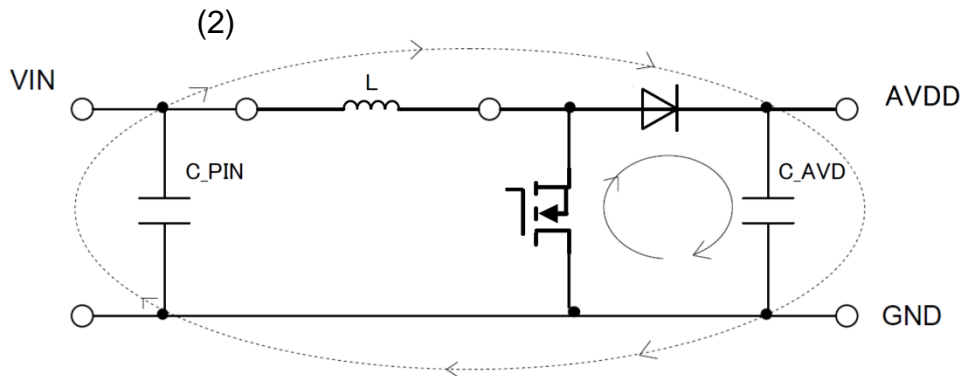
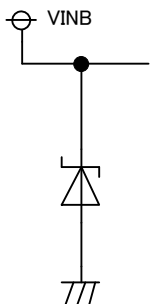
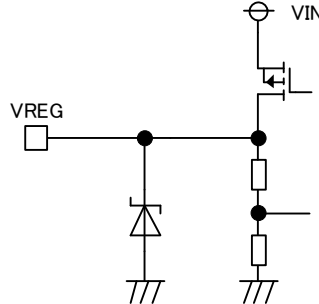
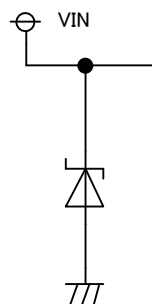
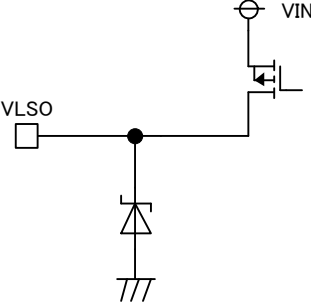
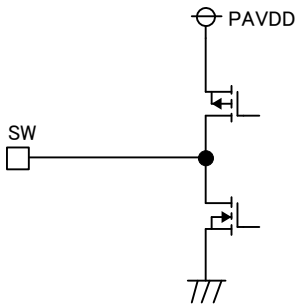
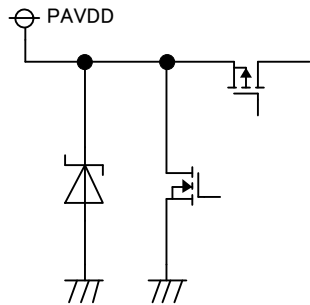
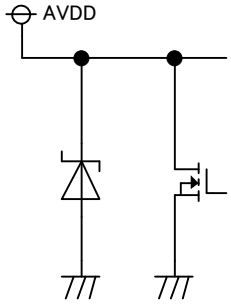
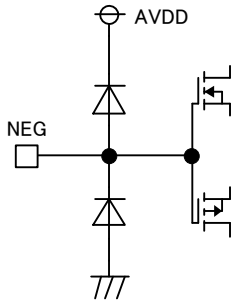
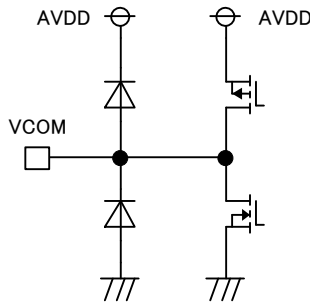
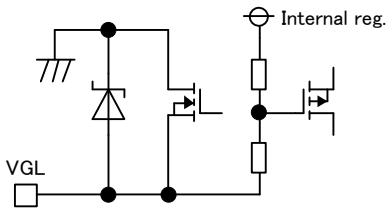
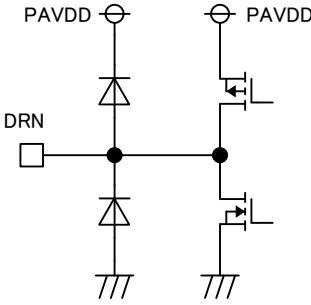
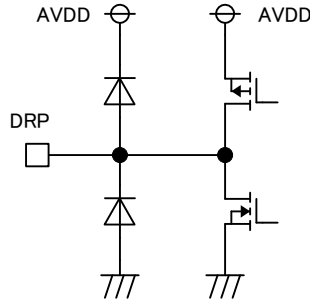


Figure 107. EMI Circuit 2

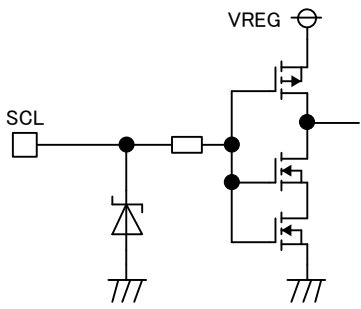
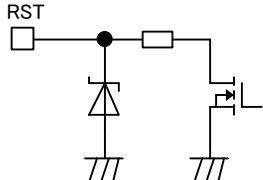
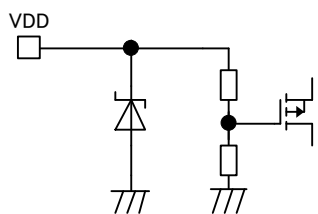
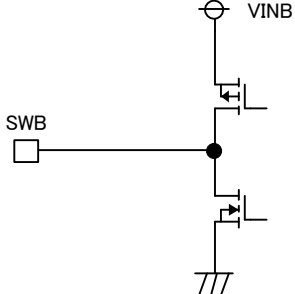
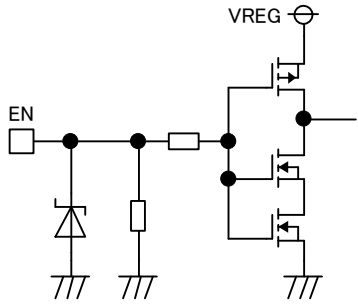
I/O Equivalence Circuit

<p>1. VINB</p> 	<p>2. VREG</p> 	<p>3. VIN</p> 
<p>4. VLISO</p> 	<p>6. SW</p> 	<p>7. PAVDD</p> 
<p>8. AVDD</p> 	<p>9. NEG</p> 	<p>10. VCOM</p> 
<p>12. VGL</p> 	<p>13. DRN</p> 	<p>14. DRP</p> 

I/O Equivalence Circuit - continued

<p>15. CPP1</p>	<p>16. VCP</p>	<p>17. CPP2</p>
<p>18. VGH</p>	<p>19. GSOUT</p>	<p>20. RE</p>
<p>21. WPN</p>	<p>22. NTC</p>	<p>23. FAULT</p>
<p>24. PG/LDSW</p>	<p>25. GSIN</p>	<p>26. SDA</p>

I/O Equivalence Circuit - continued

27. SCL	28. RST	29. VDD
		
30. SWB	32. EN	
		

Operational Notes

1. Reverse Connection of Power Supply

Connecting the power supply in reverse polarity can damage the IC. Take precautions against reverse polarity when connecting the power supply, such as mounting an external diode between the power supply and the IC's power supply pins.

2. Power Supply Lines

Design the PCB layout pattern to provide low impedance supply lines. Separate the ground and supply lines of the digital and analog blocks to prevent noise in the ground and supply lines of the digital block from affecting the analog block. Furthermore, connect a capacitor to ground at all power supply pins. Consider the effect of temperature and aging on the capacitance value when using electrolytic capacitors.

3. Ground Voltage

Ensure that no pins are at a voltage below that of the ground pin at any time, even during transient condition.

4. Ground Wiring Pattern

When using both small-signal and large-current ground traces, the two ground traces should be routed separately but connected to a single ground at the reference point of the application board to avoid fluctuations in the small-signal ground caused by large currents. Also ensure that the ground traces of external components do not cause variations on the ground voltage. The ground lines must be as short and thick as possible to reduce line impedance.

5. Recommended Operating Conditions

The function and operation of the IC are guaranteed within the range specified by the recommended operating conditions. The characteristic values are guaranteed only under the conditions of each item specified by the electrical characteristics.

6. Inrush Current

When power is first supplied to the IC, it is possible that the internal logic may be unstable and inrush current may flow instantaneously due to the internal powering sequence and delays, especially if the IC has more than one power supply. Therefore, give special consideration to power coupling capacitance, power wiring, width of ground wiring, and routing of connections.

7. Testing on Application Boards

When testing the IC on an application board, connecting a capacitor directly to a low-impedance output pin may subject the IC to stress. Always discharge capacitors completely after each process or step. The IC's power supply should always be turned off completely before connecting or removing it from the test setup during the inspection process. To prevent damage from static discharge, ground the IC during assembly and use similar precautions during transport and storage.

Operational Notes – continued

8. Inter-pin Short and Mounting Errors

Ensure that the direction and position are correct when mounting the IC on the PCB. Incorrect mounting may result in damaging the IC. Avoid nearby pins being shorted to each other especially to ground, power supply and output pin. Inter-pin shorts could be due to many reasons such as metal particles, water droplets (in very humid environment) and unintentional solder bridge deposited in between pins during assembly to name a few.

9. Unused Input Pins

Input pins of an IC are often connected to the gate of a MOS transistor. The gate has extremely high impedance and extremely low capacitance. If left unconnected, the electric field from the outside can easily charge it. The small charge acquired in this way is enough to produce a significant effect on the conduction through the transistor and cause unexpected operation of the IC. So unless otherwise specified, unused input pins should be connected to the power supply or ground line.

10. Regarding the Input Pin of the IC

This monolithic IC contains P+ isolation and P substrate layers between adjacent elements in order to keep them isolated. P-N junctions are formed at the intersection of the P layers with the N layers of other elements, creating a parasitic diode or transistor. For example (refer to figure below):

- When $GND > Pin A$ and $GND > Pin B$, the P-N junction operates as a parasitic diode.
- When $GND > Pin B$, the P-N junction operates as a parasitic transistor.

Parasitic diodes inevitably occur in the structure of the IC. The operation of parasitic diodes can result in mutual interference among circuits, operational faults, or physical damage. Therefore, conditions that cause these diodes to operate, such as applying a voltage lower than the GND voltage to an input pin (and thus to the P substrate) should be avoided.

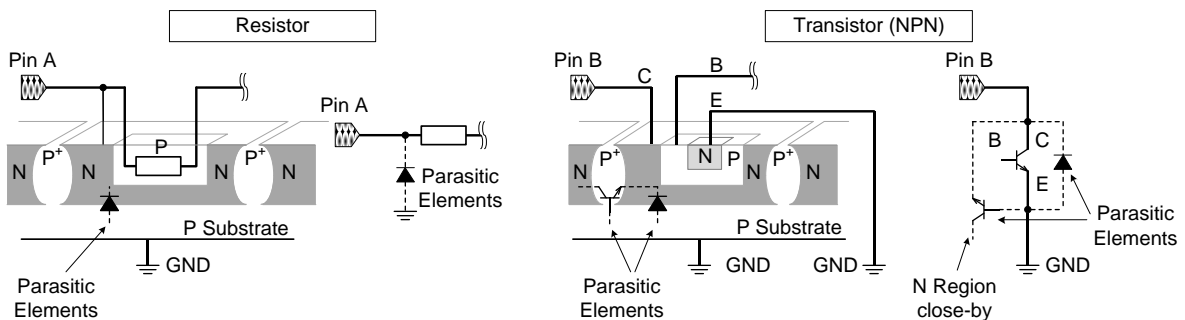


Figure 108. Example of Monolithic IC Structure

11. Ceramic Capacitor

When using a ceramic capacitor, determine a capacitance value considering the change of capacitance with temperature and the decrease in nominal capacitance due to DC bias and others.

12. Thermal Shutdown Circuit (TSD)

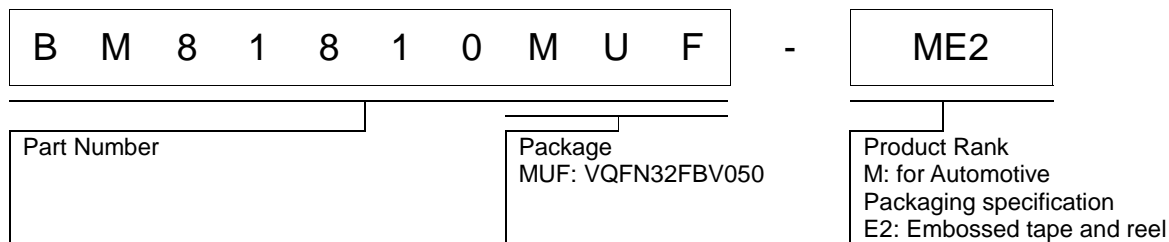
This IC has a built-in thermal shutdown circuit that prevents heat damage to the IC. Normal operation should always be within the IC's maximum junction temperature rating. If however the rating is exceeded for a continued period, the junction temperature (T_j) will rise which will activate the TSD circuit that will turn OFF power output pins. When the T_j falls below the TSD threshold, the circuits are automatically restored to normal operation.

Note that the TSD circuit operates in a situation that exceeds the absolute maximum ratings and therefore, under no circumstances, should the TSD circuit be used in a set design or for any purpose other than protecting the IC from heat damage.

13. Over Current Protection Circuit (OCP)

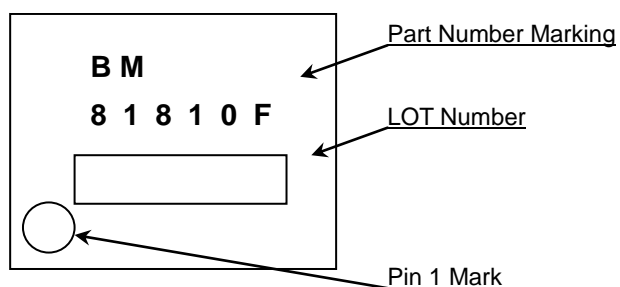
This IC incorporates an integrated overcurrent protection circuit that is activated when the load is shorted. This protection circuit is effective in preventing damage due to sudden and unexpected incidents. However, the IC should not be used in applications characterized by continuous operation or transitioning of the protection circuit.

Ordering Information



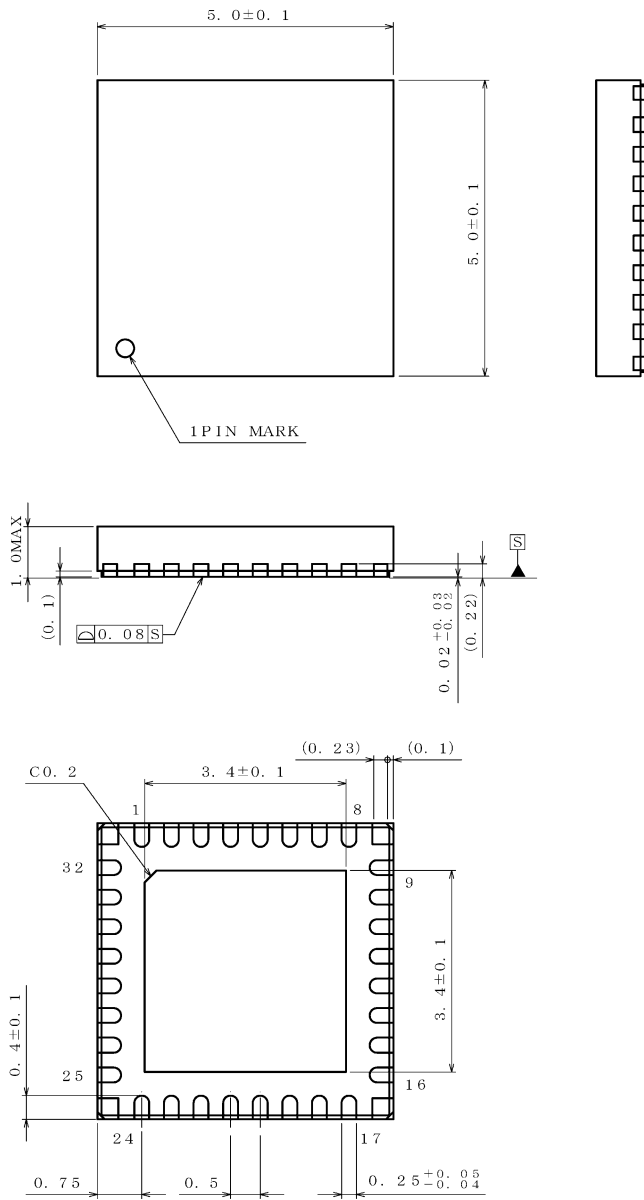
Marking Diagram

VQFN32FBV050(TOP VIEW)



Physical Dimension, Tape and Reel Information

Package Name	VQFN32FBV050
--------------	--------------



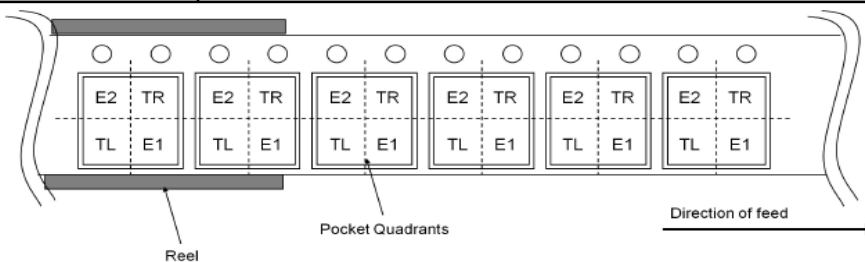
(UNIT : mm)

PKG : VQFN32FBV050
Drawing No. EX416-5001

NOTE: Dimensions in () for reference only.

< Tape and Reel Information >

Tape	Embossed carrier tape
Quantity	2500pcs
Direction of feed	E2 The direction is the pin 1 of product is at the upper left when you hold reel on the left hand and you pull out the tape on the right hand



Revision History

Date	Revision	Changes
15.May.2020	001	New Release

Notice

Precaution on using ROHM Products

1. If you intend to use our Products in devices requiring extremely high reliability (such as medical equipment ^(Note 1), aircraft/spacecraft, nuclear power controllers, etc.) and whose malfunction or failure may cause loss of human life, bodily injury or serious damage to property ("Specific Applications"), please consult with the ROHM sales representative in advance. Unless otherwise agreed in writing by ROHM in advance, ROHM shall not be in any way responsible or liable for any damages, expenses or losses incurred by you or third parties arising from the use of any ROHM's Products for Specific Applications.

(Note1) Medical Equipment Classification of the Specific Applications

JAPAN	USA	EU	CHINA
CLASS III	CLASS III	CLASS II b	CLASS III
CLASS IV		CLASS III	

2. ROHM designs and manufactures its Products subject to strict quality control system. However, semiconductor products can fail or malfunction at a certain rate. Please be sure to implement, at your own responsibilities, adequate safety measures including but not limited to fail-safe design against the physical injury, damage to any property, which a failure or malfunction of our Products may cause. The following are examples of safety measures:
 - [a] Installation of protection circuits or other protective devices to improve system safety
 - [b] Installation of redundant circuits to reduce the impact of single or multiple circuit failure
3. Our Products are not designed under any special or extraordinary environments or conditions, as exemplified below. Accordingly, ROHM shall not be in any way responsible or liable for any damages, expenses or losses arising from the use of any ROHM's Products under any special or extraordinary environments or conditions. If you intend to use our Products under any special or extraordinary environments or conditions (as exemplified below), your independent verification and confirmation of product performance, reliability, etc. prior to use, must be necessary:
 - [a] Use of our Products in any types of liquid, including water, oils, chemicals, and organic solvents
 - [b] Use of our Products outdoors or in places where the Products are exposed to direct sunlight or dust
 - [c] Use of our Products in places where the Products are exposed to sea wind or corrosive gases, including Cl₂, H₂S, NH₃, SO₂, and NO₂
 - [d] Use of our Products in places where the Products are exposed to static electricity or electromagnetic waves
 - [e] Use of our Products in proximity to heat-producing components, plastic cords, or other flammable items
 - [f] Sealing or coating our Products with resin or other coating materials
 - [g] Use of our Products without cleaning residue of flux (Exclude cases where no-clean type fluxes is used. However, recommend sufficiently about the residue.); or Washing our Products by using water or water-soluble cleaning agents for cleaning residue after soldering
 - [h] Use of the Products in places subject to dew condensation
4. The Products are not subject to radiation-proof design.
5. Please verify and confirm characteristics of the final or mounted products in using the Products.
6. In particular, if a transient load (a large amount of load applied in a short period of time, such as pulse, is applied, confirmation of performance characteristics after on-board mounting is strongly recommended. Avoid applying power exceeding normal rated power; exceeding the power rating under steady-state loading condition may negatively affect product performance and reliability.
7. De-rate Power Dissipation depending on ambient temperature. When used in sealed area, confirm that it is the use in the range that does not exceed the maximum junction temperature.
8. Confirm that operation temperature is within the specified range described in the product specification.
9. ROHM shall not be in any way responsible or liable for failure induced under deviant condition from what is defined in this document.

Precaution for Mounting / Circuit board design

1. When a highly active halogenous (chlorine, bromine, etc.) flux is used, the residue of flux may negatively affect product performance and reliability.
2. In principle, the reflow soldering method must be used on a surface-mount products, the flow soldering method must be used on a through hole mount products. If the flow soldering method is preferred on a surface-mount products, please consult with the ROHM representative in advance.

For details, please refer to ROHM Mounting specification

Precautions Regarding Application Examples and External Circuits

1. If change is made to the constant of an external circuit, please allow a sufficient margin considering variations of the characteristics of the Products and external components, including transient characteristics, as well as static characteristics.
2. You agree that application notes, reference designs, and associated data and information contained in this document are presented only as guidance for Products use. Therefore, in case you use such information, you are solely responsible for it and you must exercise your own independent verification and judgment in the use of such information contained in this document. ROHM shall not be in any way responsible or liable for any damages, expenses or losses incurred by you or third parties arising from the use of such information.

Precaution for Electrostatic

This Product is electrostatic sensitive product, which may be damaged due to electrostatic discharge. Please take proper caution in your manufacturing process and storage so that voltage exceeding the Products maximum rating will not be applied to Products. Please take special care under dry condition (e.g. Grounding of human body / equipment / solder iron, isolation from charged objects, setting of Ionizer, friction prevention and temperature / humidity control).

Precaution for Storage / Transportation

1. Product performance and soldered connections may deteriorate if the Products are stored in the places where:
 - [a] the Products are exposed to sea winds or corrosive gases, including Cl₂, H₂S, NH₃, SO₂, and NO₂
 - [b] the temperature or humidity exceeds those recommended by ROHM
 - [c] the Products are exposed to direct sunshine or condensation
 - [d] the Products are exposed to high Electrostatic
2. Even under ROHM recommended storage condition, solderability of products out of recommended storage time period may be degraded. It is strongly recommended to confirm solderability before using Products of which storage time is exceeding the recommended storage time period.
3. Store / transport cartons in the correct direction, which is indicated on a carton with a symbol. Otherwise bent leads may occur due to excessive stress applied when dropping of a carton.
4. Use Products within the specified time after opening a humidity barrier bag. Baking is required before using Products of which storage time is exceeding the recommended storage time period.

Precaution for Product Label

A two-dimensional barcode printed on ROHM Products label is for ROHM's internal use only.

Precaution for Disposition

When disposing Products please dispose them properly using an authorized industry waste company.

Precaution for Foreign Exchange and Foreign Trade act

Since concerned goods might be fallen under listed items of export control prescribed by Foreign exchange and Foreign trade act, please consult with ROHM in case of export.

Precaution Regarding Intellectual Property Rights

1. All information and data including but not limited to application example contained in this document is for reference only. ROHM does not warrant that foregoing information or data will not infringe any intellectual property rights or any other rights of any third party regarding such information or data.
2. ROHM shall not have any obligations where the claims, actions or demands arising from the combination of the Products with other articles such as components, circuits, systems or external equipment (including software).
3. No license, expressly or implied, is granted hereby under any intellectual property rights or other rights of ROHM or any third parties with respect to the Products or the information contained in this document. Provided, however, that ROHM will not assert its intellectual property rights or other rights against you or your customers to the extent necessary to manufacture or sell products containing the Products, subject to the terms and conditions herein.

Other Precaution

1. This document may not be reprinted or reproduced, in whole or in part, without prior written consent of ROHM.
2. The Products may not be disassembled, converted, modified, reproduced or otherwise changed without prior written consent of ROHM.
3. In no event shall you use in any way whatsoever the Products and the related technical information contained in the Products or this document for any military purposes, including but not limited to, the development of mass-destruction weapons.
4. The proper names of companies or products described in this document are trademarks or registered trademarks of ROHM, its affiliated companies or third parties.

General Precaution

1. Before you use our Products, you are requested to carefully read this document and fully understand its contents. ROHM shall not be in any way responsible or liable for failure, malfunction or accident arising from the use of any ROHM's Products against warning, caution or note contained in this document.
2. All information contained in this document is current as of the issuing date and subject to change without any prior notice. Before purchasing or using ROHM's Products, please confirm the latest information with a ROHM sales representative.
3. The information contained in this document is provided on an "as is" basis and ROHM does not warrant that all information contained in this document is accurate and/or error-free. ROHM shall not be in any way responsible or liable for any damages, expenses or losses incurred by you or third parties resulting from inaccuracy or errors of or concerning such information.

X-ON Electronics

Largest Supplier of Electrical and Electronic Components

Click to view similar products for [Power Management Specialised - PMIC category](#):

Click to view products by [ROHM manufacturer](#):

Other Similar products are found below :

[LV5686PVC-XH](#) [FAN7710VN](#) [NCP391FCALT2G](#) [SLG7NT4081VTR](#) [SLG7NT4192VTR](#) [AP4313UKTR-G1](#) [AS3729B-BWLM](#)
[MB39C831QN-G-EFE2](#) [MAX4940MB](#) [LV56841PVD-XH](#) [MAX77686EWE+T](#) [AP4306BUKTR-G1](#) [MIC5164YMM](#) [PT8A3252WE](#)
[NCP392CSFCCT1G](#) [TEA1998TS/1H](#) [PT8A3284WE](#) [PI3VST01ZEEX](#) [PI5USB1458AZAEX](#) [PI5USB1468AZAEX](#) [MCP16502TAC-E/S8B](#)
[MCP16502TAE-E/S8B](#) [MCP16502TAA-E/S8B](#) [MCP16502TAB-E/S8B](#) [TCKE712BNL,RF](#) [ISL91211AIKZT7AR5874](#)
[ISL91211BIKZT7AR5878](#) [MAX17506EVKITBE#](#) [MCP16501TC-E/RMB](#) [ISL91212AIIZ-TR5770](#) [ISL91212BIIZ-TR5775](#) [CPX200D](#) [AX-](#)
[3005D-3](#) [TP-1303](#) [TP-1305](#) [TP-1603](#) [TP-2305](#) [TP-30102](#) [TP-4503N](#) [MIC5167YML-TR](#) [LPTM21-1AFTG237C](#) [MPS-3003L-3](#) [MPS-3005D](#)
[SPD-3606](#) [STLUX383A](#) [TP-60052](#) [ADN8834ACBZ-R7](#) [LM26480SQ-AA/NOPB](#) [LM81BIMTX-3/NOPB](#) [LM81CIMT-3/NOPB](#)