

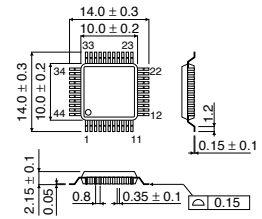
# RAM controller for CD player

## BU9348K

● Description

The BU9348K is an IC incorporating function that can protect pop noise electrically by using DRAM together for CD players. This IC is available for four types of DRAM. Four shockproof mode(4bit, 5bit, 6bit, non-compression) and through mode can be selected.

● Dimension (Unit : mm)



**QFP44**

● Features

- 1) Available for 4 types of DRAM (16MDRAM, 4MDRAMx2, 4MDRAM, 1MDRAM)
- 2) Four shockproof mode(4bit, 5bit, 6bit, non-compression) and through mode selectable
- 3) Available for x4 speed(Max.)
- 4) Built-in digital attenuator and soft mute function
- 5) Built-in extended I/O function

● Applications

Portable CD players

● Absolute Maximum Ratings (Ta=25°C)

Parameter	Symbol	Limits	Unit
Supply voltage	Vcc	-0.3 ~ 4.5	V
Power dissipation	Pd	500 *	mW
Operating temperature range	Topr	-25 ~ +75	°C
Storage temperature range	Tstg	-55 ~ +125	°C

\*Derating : 5mW/°C for operation above Ta=25°C

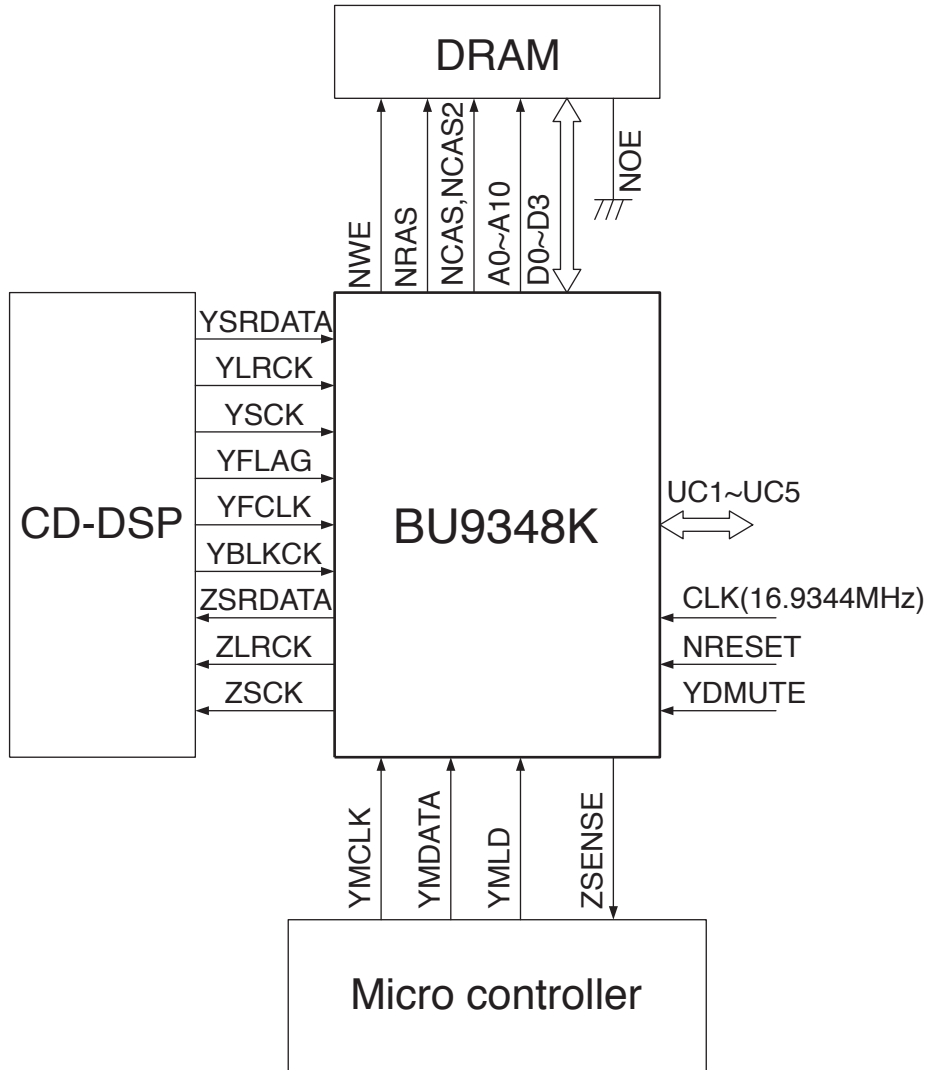
● Recommended Operating Conditions (Ta=25°C)

Parameter	Symbol	Min.	Typ.	Max.	Unit
Supply voltage	Vcc	2.7	3.0	3.6	V

● Electrical characteristics (Unless otherwise noted; Ta=25°C, Vcc=3.0V)

Parameter	Symbol	Min.	Typ.	Max.	Unit	Conditions
Current consumption (Shock proof mode)	IDD	-	8.9	20	mA	Shock proof mode
Current consumption (Through mode)	IDD	-	1.8	5.0	mA	Through mode

● Block diagram



## **X-ON Electronics**

Largest Supplier of Electrical and Electronic Components

*Click to view similar products for [Memory Controllers](#) category:*

*Click to view products by [ROHM](#) manufacturer:*

Other Similar products are found below :

[PM8607B1-F3EI](#) [A1-LBT06](#) [A1-ILBT06](#) [X1-RAB06-Y](#) [DS1314S-2+T&R](#) [DS1314S+](#) [DS1312S+](#) [DS1312S-2+](#) [BQ2205LYPWR](#)  
[BQ2201SN-N](#) [BQ2204APN](#) [BQ2204ASN](#) [BQ2204ASN-N](#) [BQ2205LYPW](#)