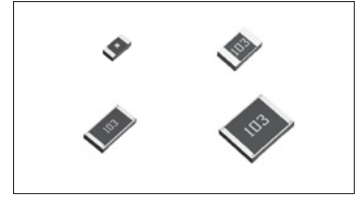


### ●Features

- 1) Twice the rated voltage of conventional products..
- 2) Perfect for use in high voltage circuit. (Camera Flash circuit, etc)
- 3) ROHM resistors have obtained ISO9001 / ISO / TS16949 certification.
- 4) Corresponds to AEC-Q200. (KTR18)



### ●Products List

Part No.	Size		Rated Power (70°C) (W)	Limiting Element Voltage (V)	Temperature Coefficient (ppm / °C)	Resistance Tolerance (%)	Resistance Range	Operating Temperature Range (°C)	Automotive Grade Available
	(mm)	(inch)							
KTR03	1608	0603	0.1	350	±200	J(±5%)	1Ω to 10MΩ (E24 Series)	-55 to +155	YES
					±100	F(±1%)	1Ω to 10MΩ (E24,96 Series)		
KTR10	2012	0805	0.125	400	±200	J(±5%)	1Ω to 30MΩ (E24 Series)		YES
					±100	F(±1%)	1Ω to 10MΩ (E24,96 Series)		
KTR18	3216	1206	0.25	500	±200	J(±5%)	1Ω to 15MΩ (E24 Series)		YES
					±100	F(±1%)	1Ω to 10MΩ (E24,96 Series)		
KTR25	3225	1210	0.33	600	±200	J(±5%)	1Ω to 10MΩ (E24 Series)		YES
					±100	F(±1%)	1Ω to 10MΩ (E24,96 Series)		

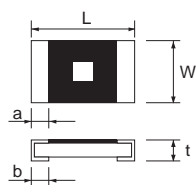
\*E24 : Standard products, E96 : Custom products.

### ●Part Number Description

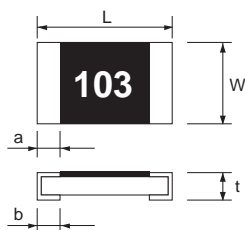
<div style="display: flex; justify-content: space-around; font-weight: bold; font-size: 1.2em;">K T R</div>	<div style="display: flex; justify-content: space-around; font-weight: bold; font-size: 1.2em;">1 0</div>	<div style="display: flex; justify-content: space-around; font-weight: bold; font-size: 1.2em;">E Z P</div>	<div style="display: flex; justify-content: space-around; font-weight: bold; font-size: 1.2em;">J</div>	<div style="display: flex; justify-content: space-around; font-weight: bold; font-size: 1.2em;">1 0 0</div>																																																			
<table border="1" style="width: 100%; border-collapse: collapse;"> <thead> <tr><th>Part No.</th></tr> </thead> <tbody> <tr><td><b>KTR</b></td></tr> <tr><td>(High Voltage Resistance Chip Resistors)</td></tr> </tbody> </table>	Part No.	<b>KTR</b>	(High Voltage Resistance Chip Resistors)	<table border="1" style="width: 100%; border-collapse: collapse;"> <thead> <tr><th>Size (mm [inch])</th></tr> </thead> <tbody> <tr><td>03 (1608 [0603])</td></tr> <tr><td>10 (2012 [0805])</td></tr> <tr><td>18 (3216 [1206])</td></tr> <tr><td>25 (3225 [1210])</td></tr> </tbody> </table>	Size (mm [inch])	03 (1608 [0603])	10 (2012 [0805])	18 (3216 [1206])	25 (3225 [1210])	<table border="1" style="width: 100%; border-collapse: collapse;"> <thead> <tr><th colspan="4">Packaging Specifications Code</th></tr> <tr><th>Part No.</th><th>Code</th><th>Packaging specifications</th><th>Quantity / Reel</th></tr> </thead> <tbody> <tr><td>KTR03</td><td>EZP</td><td>Paper tape (4mm Pitch)</td><td>5,000</td></tr> <tr><td>KTR10</td><td>EZP</td><td>Paper tape (4mm Pitch)</td><td>5,000</td></tr> <tr><td>KTR18</td><td>EZP</td><td>Paper tape (4mm Pitch)</td><td>5,000</td></tr> <tr><td>KTR25</td><td>JZP</td><td>Embossed tape (4mm Pitch)</td><td>4,000</td></tr> </tbody> </table>	Packaging Specifications Code				Part No.	Code	Packaging specifications	Quantity / Reel	KTR03	EZP	Paper tape (4mm Pitch)	5,000	KTR10	EZP	Paper tape (4mm Pitch)	5,000	KTR18	EZP	Paper tape (4mm Pitch)	5,000	KTR25	JZP	Embossed tape (4mm Pitch)	4,000	<table border="1" style="width: 100%; border-collapse: collapse;"> <thead> <tr><th>Resistance Tolerance</th></tr> </thead> <tbody> <tr><td>F ( ±1% )</td></tr> <tr><td>J ( ±5% )</td></tr> </tbody> </table>	Resistance Tolerance	F ( ±1% )	J ( ±5% )	<table border="1" style="width: 100%; border-collapse: collapse;"> <thead> <tr><th>Nominal Resistance</th></tr> </thead> <tbody> <tr><td>Resistance code, 3 or 4 digits. 000 denotes jumper type.</td></tr> <tr> <td style="text-align: center;"> <table border="1" style="width: 100%; border-collapse: collapse;"> <thead> <tr><th>Resistance tolerance</th><th>Resistance code</th></tr> </thead> <tbody> <tr><td>F</td><td>: 4 digits</td></tr> <tr><td>J</td><td>: 3 digits</td></tr> </tbody> </table> </td> </tr> <tr><td>Ex.)</td></tr> <tr><td>1Ω = 1R00 ( ±1% )</td></tr> <tr><td>1R0 ( ±5% )</td></tr> <tr><td>10Ω = 10R0 ( ±1% )</td></tr> <tr><td>100 ( ±5% )</td></tr> <tr><td>1MΩ = 1004 ( ±1% )</td></tr> <tr><td>105 ( ±5% )</td></tr> </tbody> </table>	Nominal Resistance	Resistance code, 3 or 4 digits. 000 denotes jumper type.	<table border="1" style="width: 100%; border-collapse: collapse;"> <thead> <tr><th>Resistance tolerance</th><th>Resistance code</th></tr> </thead> <tbody> <tr><td>F</td><td>: 4 digits</td></tr> <tr><td>J</td><td>: 3 digits</td></tr> </tbody> </table>	Resistance tolerance	Resistance code	F	: 4 digits	J	: 3 digits	Ex.)	1Ω = 1R00 ( ±1% )	1R0 ( ±5% )	10Ω = 10R0 ( ±1% )	100 ( ±5% )	1MΩ = 1004 ( ±1% )	105 ( ±5% )
Part No.																																																							
<b>KTR</b>																																																							
(High Voltage Resistance Chip Resistors)																																																							
Size (mm [inch])																																																							
03 (1608 [0603])																																																							
10 (2012 [0805])																																																							
18 (3216 [1206])																																																							
25 (3225 [1210])																																																							
Packaging Specifications Code																																																							
Part No.	Code	Packaging specifications	Quantity / Reel																																																				
KTR03	EZP	Paper tape (4mm Pitch)	5,000																																																				
KTR10	EZP	Paper tape (4mm Pitch)	5,000																																																				
KTR18	EZP	Paper tape (4mm Pitch)	5,000																																																				
KTR25	JZP	Embossed tape (4mm Pitch)	4,000																																																				
Resistance Tolerance																																																							
F ( ±1% )																																																							
J ( ±5% )																																																							
Nominal Resistance																																																							
Resistance code, 3 or 4 digits. 000 denotes jumper type.																																																							
<table border="1" style="width: 100%; border-collapse: collapse;"> <thead> <tr><th>Resistance tolerance</th><th>Resistance code</th></tr> </thead> <tbody> <tr><td>F</td><td>: 4 digits</td></tr> <tr><td>J</td><td>: 3 digits</td></tr> </tbody> </table>	Resistance tolerance	Resistance code	F	: 4 digits	J	: 3 digits																																																	
Resistance tolerance	Resistance code																																																						
F	: 4 digits																																																						
J	: 3 digits																																																						
Ex.)																																																							
1Ω = 1R00 ( ±1% )																																																							
1R0 ( ±5% )																																																							
10Ω = 10R0 ( ±1% )																																																							
100 ( ±5% )																																																							
1MΩ = 1004 ( ±1% )																																																							
105 ( ±5% )																																																							

●Chip Resistor Dimensions and Markings

■ KTR03



■ KTR10 / 18 / 25



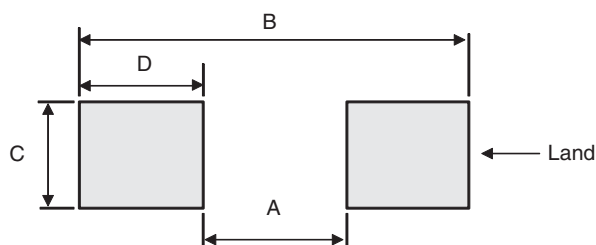
<Marking method>  
There are three or four digits used for the calculation number according to IEC code and "R" is used for the decimal point.

(Unit : mm)

Part No.	(mm)	(inch)	L	W	t	a	b	Marking existence
KTR03	1608	0603	1.6±0.1	0.8±0.1	0.45±0.1	0.3±0.2	0.3±0.2	No *
KTR10	2012	0805	2.0±0.1	1.25±0.1	0.55±0.1	0.3±0.2	0.4±0.2	Yes
KTR18	3216	1206	3.2±0.15	1.6±0.15	0.55±0.1	0.3±0.25	0.5±0.25	Yes
KTR25	3225	1210	3.2±0.15	2.5±0.15	0.55±0.1	0.3±0.25	0.5±0.25	Yes

\*Only with square mark

●Land pattern Example



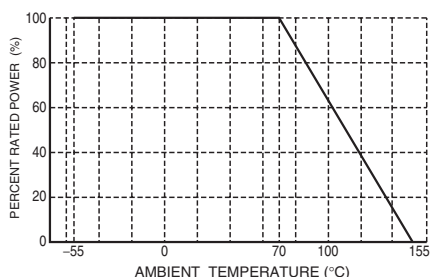
(Unit : mm)

Dimensions Part No.	A	B	C	D
KTR03	1.0	2.0	0.8	0.5
KTR10	1.2	2.6	1.15	0.7
KTR18	2.2	4.0	1.5	0.9
KTR25	2.2	4.0	2.3	0.9

●Derating Curve

When the ambient temperature exceeds 70°C, power dissipation must be adjusted according to the derating curves below.

■ KTR03 / 10 / 18 / 25



●Characteristics

Test Items	Guaranteed Value	Test Conditions
	Resistor Type	
Resistance	See P.1	20°C
Variation of resistance with temperature	See P.1	Measurement : +20 / -55 / +20 / +125°C
Overload	± (2.0%+0.1Ω)	Test voltage is the smaller one of ① or ② ① Rated voltage (current) ×2.5, 2s. ② Maximum overload voltage ※
Solderability	A new uniform coating of minimum of 95% of the surface being immersed and no soldering damage.	Rosin-Ethanol : 25% (Weight) Soldering condition : 245±5°C Duration of immersion : 2.0±0.5s
Resistance to soldering heat	± (1.0%+0.05Ω) No remarkable abnormality on the appearance.	Soldering condition : 260±5°C Duration of immersion : 10±1s
Rapid change of temperature	± (1.0%+0.05Ω)	Test temp. : -55°C to +125°C 5cycle
Damp heat, steady state	± (3.0%+0.1Ω)	40°C, 93%RH (Relative Humidity) Test time : 1,000h to 1,048h
Endurance at 70°C	± (3.0%+0.1Ω)	70°C Rated voltage (current) 1.5h : ON – 0.5h : OFF Test time : 1,000h to 1,048h
Endurance	± (3.0%+0.1Ω)	155°C Test time : 1,000h to 1,048h
Resistance to solvent	± (1.0%+0.05Ω)	23±5°C, Immersion cleaning, 5±0.5min Solvent : 2-propanol
Bend strength of the end face plating	± (1.0%+0.05Ω) Without mechanical damage such as breaks.	-

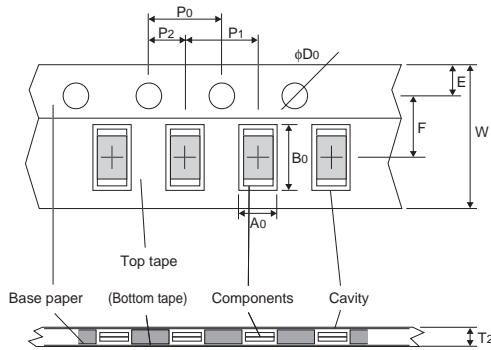
※ Maximum overload voltage (Test voltage)

KTR03	KTR10	KTR18	KTR25
500V	800V	1000V	1200V

Compliance Standard(s) : IEC60115-8  
JISC 5201-8

●Tape Dimensions

■ Paper Tape

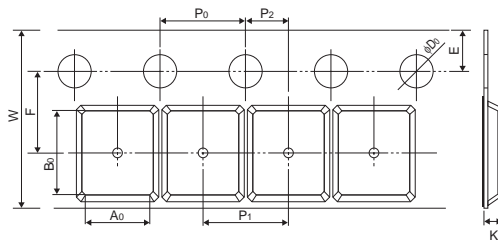


(Unit : mm)

Part No.	W	F	E	A0	B0
KTR03	8.0±0.3	3.5±0.05	1.75±0.1	1.1±0.1	1.9±0.1
KTR10	8.0±0.3	3.5±0.05	1.75±0.1	1.65 <sup>+0.2</sup> <sub>-0.1</sub>	2.4 <sup>+0.2</sup> <sub>-0.1</sub>
KTR18	8.0±0.3	3.5±0.05	1.75±0.1	1.95 <sup>+0.1</sup> <sub>-0.05</sub>	3.5 <sup>+0.15</sup> <sub>-0.05</sub>

Part No.	D0	P0	P1	P2	T2
KTR03	φ1.5 <sup>+0.1</sup> <sub>0</sub>	4.0±0.1	4.0±0.1	2.0±0.05	Max 1.1
KTR10	φ1.5 <sup>+0.1</sup> <sub>0</sub>	4.0±0.1	4.0±0.1	2.0±0.05	Max 1.1
KTR18	φ1.5 <sup>+0.1</sup> <sub>0</sub>	4.0±0.1	4.0±0.1	2.0±0.05	Max 1.1

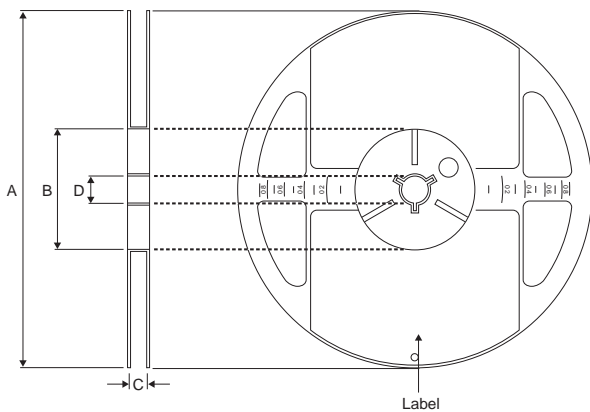
■ Embossed Tape



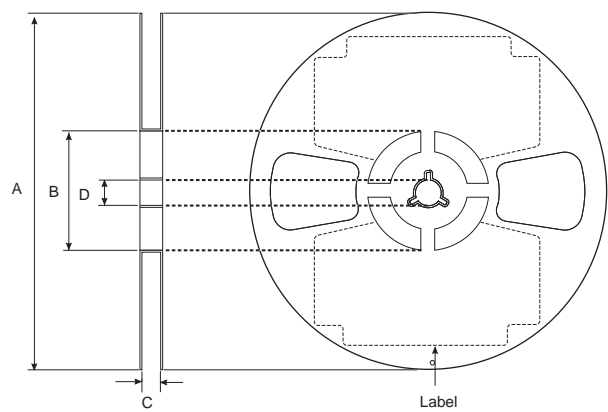
(Unit : mm)

Part No.	W	F	E	A0	B0
KTR25	8.0±0.3	3.5±0.05	1.75±0.1	3.0±0.1	3.5±0.1
	D0	P0	P1	P2	K
	φ1.5 <sup>+0.1</sup> <sub>0</sub>	4.0±0.1	4.0±0.1	2.0±0.05	Max 1.1

●Reel Dimensions



ACCORDING TO EIAJ ET-7200B



ACCORDING TO EIAJ ET-7200B (RRV)

(Unit : mm)

Part No.	A	B	C	D
KTR03	φ180 <sup>0</sup> <sub>-1.5</sub>	φ60 <sup>+1.0</sup> <sub>0</sub>	9 <sup>+1.0</sup> <sub>0</sub>	φ13±0.2
KTR10				
KTR18				
KTR25				

## Notes

- 1) The information contained herein is subject to change without notice.
- 2) Before you use our Products, please contact our sales representative and verify the latest specifications :
- 3) Although ROHM is continuously working to improve product reliability and quality, semiconductors can break down and malfunction due to various factors.  
Therefore, in order to prevent personal injury or fire arising from failure, please take safety measures such as complying with the derating characteristics, implementing redundant and fire prevention designs, and utilizing backups and fail-safe procedures. ROHM shall have no responsibility for any damages arising out of the use of our Products beyond the rating specified by ROHM.
- 4) Examples of application circuits, circuit constants and any other information contained herein are provided only to illustrate the standard usage and operations of the Products. The peripheral conditions must be taken into account when designing circuits for mass production.
- 5) The technical information specified herein is intended only to show the typical functions of and examples of application circuits for the Products. ROHM does not grant you, explicitly or implicitly, any license to use or exercise intellectual property or other rights held by ROHM or any other parties. ROHM shall have no responsibility whatsoever for any dispute arising out of the use of such technical information.
- 6) The Products are intended for use in general electronic equipment (i.e. AV/OA devices, communication, consumer systems, gaming/entertainment sets) as well as the applications indicated in this document.
- 7) The Products specified in this document are not designed to be radiation tolerant.
- 8) For use of our Products in applications requiring a high degree of reliability (as exemplified below), please contact and consult with a ROHM representative : transportation equipment (i.e. cars, ships, trains), primary communication equipment, traffic lights, fire/crime prevention, safety equipment, medical systems, servers, solar cells, and power transmission systems.
- 9) Do not use our Products in applications requiring extremely high reliability, such as aerospace equipment, nuclear power control systems, and submarine repeaters.
- 10) ROHM shall have no responsibility for any damages or injury arising from non-compliance with the recommended usage conditions and specifications contained herein.
- 11) ROHM has used reasonable care to ensure the accuracy of the information contained in this document. However, ROHM does not warrants that such information is error-free, and ROHM shall have no responsibility for any damages arising from any inaccuracy or misprint of such information.
- 12) Please use the Products in accordance with any applicable environmental laws and regulations, such as the RoHS Directive. For more details, including RoHS compatibility, please contact a ROHM sales office. ROHM shall have no responsibility for any damages or losses resulting non-compliance with any applicable laws or regulations.
- 13) When providing our Products and technologies contained in this document to other countries, you must abide by the procedures and provisions stipulated in all applicable export laws and regulations, including without limitation the US Export Administration Regulations and the Foreign Exchange and Foreign Trade Act.
- 14) This document, in part or in whole, may not be reprinted or reproduced without prior consent of ROHM.



Thank you for your accessing to ROHM product informations.  
More detail product informations and catalogs are available, please contact us.

## ROHM Customer Support System

<http://www.rohm.com/contact/>

## X-ON Electronics

Largest Supplier of Electrical and Electronic Components

*Click to view similar products for [Thick Film Resistors - SMD category](#):*

*Click to view products by [ROHM manufacturer](#):*

Other Similar products are found below :

[CR-05FL7--19K6](#) [CR-05FL7--243R](#) [CR-05FL7--40K2](#) [CR-12JP4--680R](#) [CRCW04021K20FKEE](#) [CRCW06036K80FKEE](#)

[M55342K06B2E94RS2](#) [M55342K06B309DRS3](#) [M55342K06B6E81RS3](#) [M55342K08B100DRWB](#) [M55342M05B200DRWB](#)

[M55342M06B26E7RS3](#) [MC0603-511-JTW](#) [742C083750JTR](#) [MCR01MZPF1202](#) [MCR01MZPF1601](#) [MCR01MZPF1800](#) [MCR01MZPF6201](#)

[MCR01MZPF9102](#) [MCR01MZPJ113](#) [MCR01MZPJ121](#) [MCR01MZPJ125](#) [MCR01MZPJ203](#) [MCR01MZPJ751](#) [MCR01MZPJ822](#)

[MCR03EZHJ103](#) [MCR03EZPFX1272](#) [MCR03EZPJ123](#) [MCR03EZPJ270](#) [MCR03EZPJ821](#) [MCR10EZPF1102](#) [MCR10EZPF2003](#)

[MCR10EZPF2700](#) [MCR18EZPJ330](#) [RC0603F1473CS](#) [RC0603F150CS](#) [RC1005F1152CS](#) [RC1005F1182CS](#) [RC1005F1372CS](#)

[RC1005F183CS](#) [RC1005F1911CS](#) [RC1005F1912CS](#) [RC1005F203CS](#) [RC1005F2052CS](#) [RC1005F241CS](#) [RC1005F2431CS](#)

[RC1005F3011CS](#) [RC1005F303CS](#) [RC1005F4321CS](#) [RC1005F4642CS](#)