

Dear customer

LAPIS Semiconductor Co., Ltd. ("LAPIS Semiconductor"), on the 1st day of October, 2020, implemented the incorporation-type company split (shinsetsu-bunkatsu) in which LAPIS established a new company, LAPIS Technology Co., Ltd. ("LAPIS Technology") and LAPIS Technology succeeded LAPIS Semiconductor's LSI business.

Therefore, all references to "LAPIS Semiconductor Co., Ltd.", "LAPIS Semiconductor" and/or "LAPIS" in this document shall be replaced with "LAPIS Technology Co., Ltd."

Furthermore, there are no changes to the documents relating to our products other than the company name, the company trademark, logo, etc.

Thank you for your understanding.

LAPIS Technology Co., Ltd.
October 1, 2020

ML610Q178

The low power micro controller corresponding to 5v for household appliances

GENERAL DESCRIPTION

Equipped with a 8-bit CPU nX-U8/100, the ML610Q178 is a high-performance 8-bit CMOS microcontroller that integrates a wide variety of peripherals such as 10-bit A/D converter, timer, PWM, synchronous serial port, UART, I2C bus interface (master), Battery level detect circuit, LCD driver. The nX-U8/100 CPU is capable of executing instructions efficiently on a one-instruction-per-clock-pulse basis through parallel processing by the 3-stage pipelined architecture.

In addition, it has an on-chip debugging function, which allows software debugging/rewriting with the LSI mounted on the board.

FEATURES

- CPU
 - 8-bit RISC CPU (CPU name: nX-U8/100)
 - Instruction system: 16-bit instructions
 - Instruction set: Transfer, arithmetic operations, comparison, logic operations, multiplication/division, bit manipulations, bit logic operations, jump, conditional jump, call return stack manipulations, arithmetic shift, and so on
 - On-Chip debug function
 - Minimum instruction execution time
 - Approx 30.5 μ s (at 32.768kHz system clock)
 - Approx 0.122 μ s (at 8.192MHz system clock) @ $V_{DD} = 2.2$ to 5.5V
- Internal memory
 - Has 128-Kbyte flash ROM(64K \times 16-bit) built in. (1K byte of test domain that it cannot be used is included)
 - Has 4-Kbyte RAM (4096 \times 8 bits) built in.
- Interrupt controller
 - 2 non-maskable interrupt sources (Internal source: 1, External source: 1)
 - 23 maskable interrupt sources (Internal source: 19, External source: 4)
- Time base counter
 - Low-speed time base counter \times 1 channel
 - High-speed time base counter \times 1 channel
- Watchdog timer
 - Generates a non-maskable interrupt upon the first overflow and a system reset occurs upon the second
 - Free running
 - Overflow period: 4 types selectable (125ms, 500ms, 2s, and 8s)
- Timers
 - 8 bits \times 6ch (16-bit configuration available)

- PWM
 - Resolution 16 bits × 2 channel(IGBT control)
- Synchronous serial port
 - 2ch
 - Master/slave selectable
 - LSB first/MSB first selectable
 - 8-bit length/16-bit length selectable
- UART
 - Half-duplex
 - TXD/RXD × 2 channels
 - Bit length, parity/no parity, odd parity/even parity, 1 stop bit/2 stop bits
 - Positive logic/negative logic selectable
 - Built-in baud rate generator
- I²C bus interface
 - Master function only
 - Fast mode (400kbit/s@4MHz), Standard mode (100kbit/s@4MHz)
- Successive approximation type A/D converter
 - 10-bit A/D converter
 - Input: 16ch (Maximum)
 - Conversion time: 12.75μs per channel
- General-purpose ports ×74 (Maximum)
 - Non-maskable interrupt input port × 1ch
 - Input-only port × 6ch
 - Output-only port × 8ch (including secondary functions)
 - Input/output × 27ch (including secondary functions)
 - Input/output × 32ch (including LCD driver functions)
- LCD driver
 - 160 dots max. (40 seg × 4 com), 1/1 to 1/4 duty
 - Frame frequency selectable (approx. 64Hz, 73Hz, 85Hz, 102Hz, 32Hz, 128Hz, 171Hz, and 256Hz)
 - LCD drive stop mode, LCD display mode, all LCDs on mode, and all LCDs off mode selectable
- Power supply voltage detect function
 - Judgment voltages: One of 4 levels
 - Judgment accuracy: ±2% (Typ.)

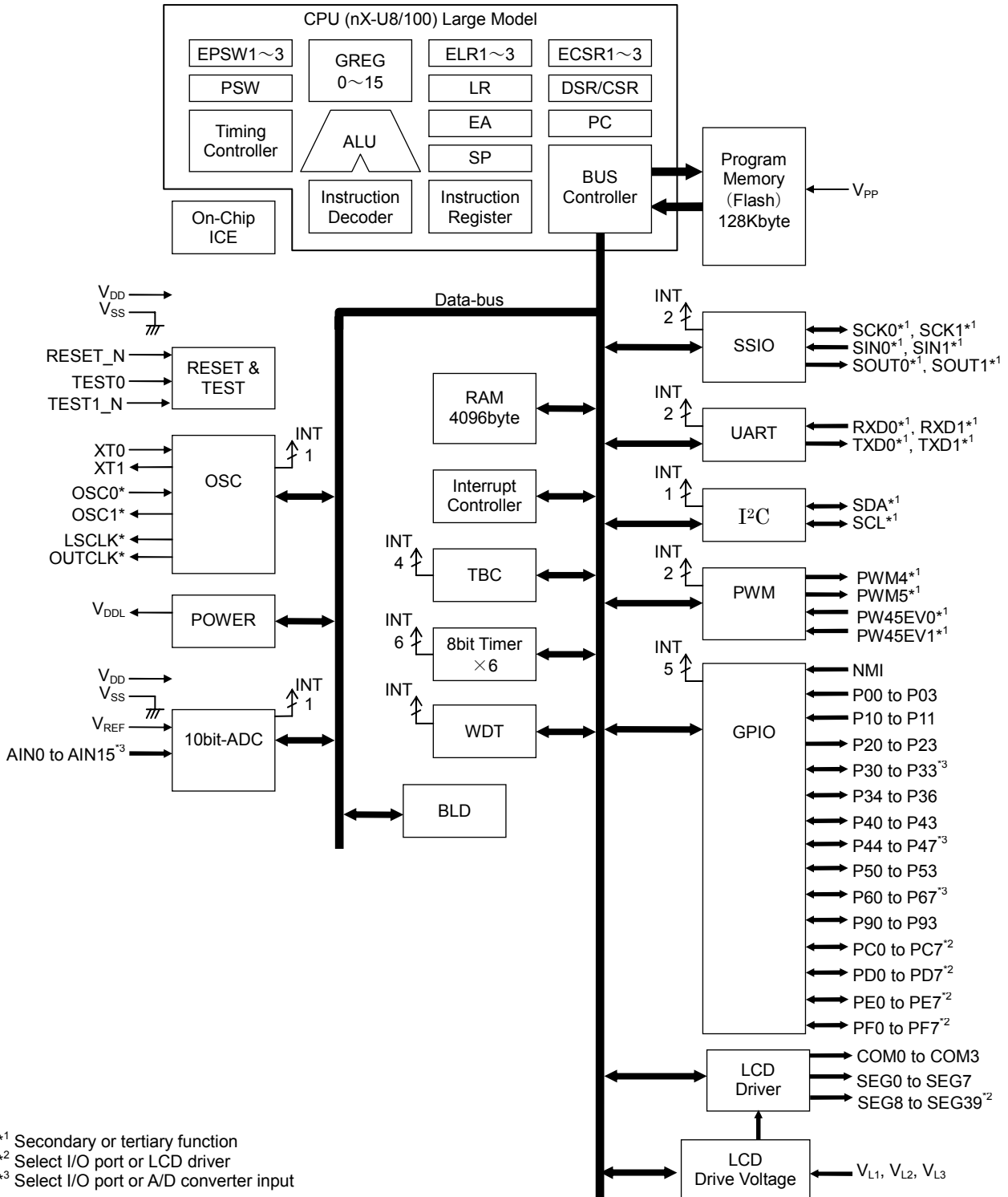
- Reset
 - Reset through the RESET_N pin
 - Reset by the watchdog timer (WDT) overflow
- Clock
 - Low-speed clock (This LSI can not guarantee the operation without low-speed clock)
Crystal oscillation (32.768 kHz) or Built-in RC oscillation (32.7kHz)
 - High-speed clock
Built-in oscillation (8.192MHz), Crystal/Ceramic oscillation (8MHz), external clock
- Power management
 - HALT mode: Instruction execution by CPU is suspended (peripheral circuits are in operating states).
 - STOP mode: Stop of low-speed oscillation and high-speed oscillation (Operations of CPU and peripheral circuits are stopped.)
 - Clock gear: The frequency of high-speed system clock can be changed by software (1/1, 1/2, 1/4, or 1/8 of the oscillation clock)
 - Block control function: Operation of an intact functional block circuit is powered down. (register reset and clock stop)
- Shipment
 - 100-pin QFP (QFP100-P-1420-0.65-BK)
 - ML610Q178-xxxGA (blank product: ML610Q178-NNNGA)

xxx: ROM code number
- Guaranteed operating range
 - Operating temperature: -40°C to 85°C
 - Operating voltage: $V_{\text{DD}} = 2.2\text{V}$ to 5.5V , $V_{\text{REF}} = 4.5\text{V}$ to 5.5V

BLOCK DIAGRAM

Figure 1-1 is a block diagram of the ML610Q178.

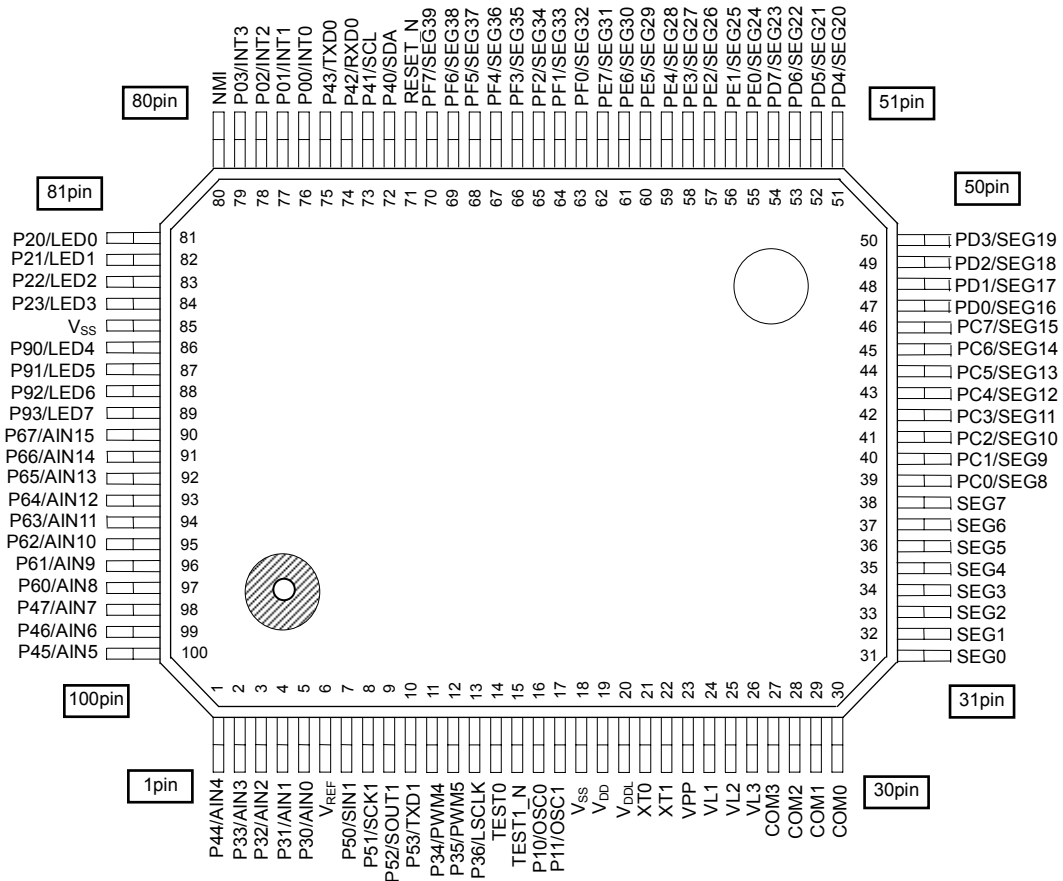
Symbols with an asterisk “*” indicate that each of them is the secondary or tertiary function of the corresponding port.



*1 Secondary or tertiary function
 *2 Select I/O port or LCD driver
 *3 Select I/O port or A/D converter input

PIN CONFIGURATION

ML610Q178 QFP package product



NC: No Connection

LIST OF PINS

| Pin No. | Primary function | | | Secondary function | | | Tertiary function | | |
|---------|----------------------|-----|---|--------------------|-----|----------------------------------|-------------------|-----|---------------|
| | Pin name | I/O | Description | Pin name | I/O | Description | Pin name | I/O | Description |
| 18,85 | V _{SS} | — | Negative power supply pin | — | — | — | — | — | — |
| 19 | V _{DD} | — | Positive power supply pin | — | — | — | — | — | — |
| 20 | V _{DDL} | — | Power supply for internal logic (internally generated) | — | — | — | — | — | — |
| 23 | V _{PP} | — | Power supply pin for Flash ROM | — | — | — | — | — | — |
| 24 | V _{L1} | — | Power supply pin for LCD bias | — | — | — | — | — | — |
| 25 | V _{L2} | — | Power supply pin for LCD bias | — | — | — | — | — | — |
| 26 | V _{L3} | — | Power supply pin for LCD bias | — | — | — | — | — | — |
| 14 | TEST0 | I/O | Input/output pin for testing | — | — | — | — | — | — |
| 15 | TEST1_N | I/O | Input/output pin for testing | — | — | — | — | — | — |
| 71 | RESET_N | I | Reset input pin | — | — | — | — | — | — |
| 21 | XT0 | I | Low-speed clock oscillation pin | — | — | — | — | — | — |
| 22 | XT1 | O | Low-speed clock oscillation pin | — | — | — | — | — | — |
| 6 | V _{REF} | I | Reference power supply pin of Successive-approximation type ADC | — | — | — | — | — | — |
| 80 | NMI | I | Input port, non-maskable interrupt | — | — | — | — | — | — |
| 76 | P00/EXI0/ PW45EV0 | I | Input port / External interrupt / PW45EV0 input | — | — | — | — | — | — |
| 77 | P01/EXI1 | I | Input port / External interrupt | — | — | — | — | — | — |
| 78 | P02/EXI2/ RXD0 | I | Input port / External interrupt / UART0 data input | — | — | — | — | — | — |
| 79 | P03/EXI3/ RXD1 | I | Input port / External interrupt / UART1 data input | — | — | — | — | — | — |
| 16 | P10 | I | Input port | OSC0 | I | High-speed clock oscillation pin | — | — | — |
| 17 | P11 | I | Input port | OSC1 | O | High-speed clock oscillation pin | — | — | — |
| 81 | P20/ LED0 | O | Output port / LED drive | LSCLK | O | Low-speed clock output | — | — | — |
| 82 | P21/ LED1 | O | Output port / LED drive | OUTCLK | O | Low-speed clock output | — | — | — |
| 83 | P22/ LED2 | O | Output port / LED drive | — | — | — | TM9OUT | O | Timer9 output |
| 84 | P23/ LED3 | O | Output port / LED drive | — | — | — | TMBOUT | O | TimerB output |

| Pin No. | Primary function | | | Secondary function | | | Tertiary function | | | Fourthly function | | |
|---------|--------------------------|-----|---|--------------------|-----|--|-------------------|-----|---|-------------------|-----|---------------------|
| | Pin name | I/O | Description | Pin name | I/O | Description | Pin name | I/O | Description | Pin name | I/O | Description |
| 5 | P30/ PW45EV1 /AIN0 | I/O | Input/output port / PW45EV1 input / Successive approximation type ADC input | — | — | — | — | — | — | — | — | — |
| 4 | P31/AIN1 | I/O | Input/output port / Successive approximation type ADC input | — | — | — | — | — | — | — | — | — |
| 3 | P32/AIN2 | I/O | Input/output port / Successive approximation type ADC input | — | — | — | — | — | — | — | — | — |
| 2 | P33/AIN3 | I/O | Input/output port / Successive approximation type ADC input | — | — | — | — | — | — | — | — | — |
| 11 | P34 | I/O | Input/output port | — | — | — | PWM4 | O | PWM4 output | — | — | — |
| 12 | P35 | I/O | Input/output port | — | — | — | PWM5 | O | PWM5 output | — | — | — |
| 13 | P36 | I/O | Input/output port | LSCLK | O | Low-speed clock output | — | — | — | — | — | — |
| 72 | P40 | I/O | Input/output port | SDA | I/O | I ² C data input/output | SIN0 | I | SSIO0 data input | — | — | — |
| 73 | P41 | I/O | Input/output port | SCL | I/O | I ² C clock input/output | SCK0 | I/O | SSIO0 synchronous clock input/output | — | — | — |
| 74 | P42 | I/O | Input/output port | RXD0 | I | UART0 data input | SOUT0 | O | SSIO0 data output | — | — | — |
| 75 | P43 | I/O | Input/output port | TXD0 | O | UART0 data output | PWM4 | O | PWM4 output | TXD1 | O | UAR1 data output |
| 1 | P44/ T0P4CK/ AIN4 | I/O | Input port / Timer0 / PWM4 external clock input/ Successive approximation type ADC input | — | — | — | SIN0 | I | SSIO0 data input | — | — | — |
| 100 | P45/ T1P5CK/ AIN5 | I/O | Input port / Timer1 / PWM5 external clock input/ Successive approximation type ADC input | — | — | — | SCK0 | I/O | SSIO0 synchronous clock input/output | — | — | — |
| 99 | P46/ T8ACK/ AIN6 | I | Input port / Timer8 / TimerA external clock input / Successive approximation type ADC input | — | — | — | SOUT0 | O | SSIO0 data output | — | — | — |
| 98 | P47/ T9BCK/ AIN7 | I | Input port / Timer9 / TimerB external clock input / Successive approximation type ADC input | — | — | — | PWM5 | O | PWM5 output | — | — | — |

| Pin No. | Primary function | | | Secondary function | | | Tertiary function | | | Fourthly function | | |
|---------|------------------|-----|---|--------------------|-----|------------------|-------------------|-----|--------------------------------------|-------------------|-----|------------------|
| | Pin name | I/O | Description | Pin name | I/O | Description | Pin name | I/O | Description | Pin name | I/O | Description |
| 7 | P50 | I/O | Input/output port | — | — | — | SIN1 | I | SSIO1 data input | — | — | — |
| 8 | P51 | I/O | Input/output port | — | — | — | SCK1 | I/O | SSIO1 synchronous clock input/output | — | — | — |
| 9 | P52 | I/O | Input/output port | RXD1 | I | UART1 data input | SOUT1 | O | SSIO1 data output | — | — | — |
| 10 | P53 | I/O | Input/output port | TXD1 | O | UART1 data input | — | — | — | TXD0 | O | UAR0 data output |
| 97 | P60/ AIN8 | I/O | Input/output port/ Successive approximation type ADC input | — | — | — | — | — | — | — | — | — |
| 96 | P61/ AIN9 | I/O | Input/output port/ Successive approximation type ADC input | — | — | — | — | — | — | — | — | — |
| 95 | P62/ AIN10 | I/O | Input/output port/ Successive approximation type ADC input | — | — | — | — | — | — | — | — | — |
| 94 | P63/ AIN11 | I/O | Input/output port/ Successive approximation type ADC input | — | — | — | — | — | — | — | — | — |
| 93 | P64/ AIN12 | I/O | Input/output port/ Successive approximation type ADC input | — | — | — | — | — | — | — | — | — |
| 92 | P65/ AIN13 | I/O | Input/output port/ Successive approximation type ADC input | — | — | — | — | — | — | — | — | — |
| 91 | P66/ AIN14 | I/O | Input/output port/ Successive approximation type ADC input | — | — | — | — | — | — | — | — | — |
| 90 | P67/ AIN15 | I/O | Input/output port/ Successive approximation type ADC input | — | — | — | — | — | — | — | — | — |
| 86 | P90/ LED4 | O | Output port / LED drive | — | — | — | — | — | — | — | — | — |
| 87 | P91/ LED5 | O | Output port / LED drive | — | — | — | — | — | — | — | — | — |
| 88 | P92/ LED6 | O | Output port / LED drive | — | — | — | — | — | — | — | — | — |
| 89 | P93/ LED7 | O | Output port / LED drive | — | — | — | — | — | — | — | — | — |
| 30 | COM0 | O | LCD common pin | — | — | — | — | — | — | — | — | — |
| 29 | COM1 | O | LCD common pin | — | — | — | — | — | — | — | — | — |
| 28 | COM2 | O | LCD common pin | — | — | — | — | — | — | — | — | — |
| 27 | COM3 | O | LCD common pin | — | — | — | — | — | — | — | — | — |
| 31 | SEG0 | O | LCD segment pin | — | — | — | — | — | — | — | — | — |
| 32 | SEG1 | O | LCD segment pin | — | — | — | — | — | — | — | — | — |

| Pin No. | Primary function | | | Secondary function | | | Tertiary function | | | Fourthly function | | |
|---------|------------------|-----|-------------------|--------------------|-----|-----------------|-------------------|-----|-------------|-------------------|-----|-------------|
| | Pin name | I/O | Description | Pin name | I/O | Description | Pin name | I/O | Description | Pin name | I/O | Description |
| 33 | SEG2 | O | LCD segment pin | — | — | — | — | — | — | — | — | — |
| 34 | SEG3 | O | LCD segment pin | — | — | — | — | — | — | — | — | — |
| 35 | SEG4 | O | LCD segment pin | — | — | — | — | — | — | — | — | — |
| 36 | SEG5 | O | LCD segment pin | — | — | — | — | — | — | — | — | — |
| 37 | SEG6 | O | LCD segment pin | — | — | — | — | — | — | — | — | — |
| 38 | SEG7 | O | LCD segment pin | — | — | — | — | — | — | — | — | — |
| 39 | PC0 | I/O | Input/output port | SEG8 | O | LCD segment pin | — | — | — | — | — | — |
| 40 | PC1 | I/O | Input/output port | SEG9 | O | LCD segment pin | — | — | — | — | — | — |
| 41 | PC2 | I/O | Input/output port | SEG10 | O | LCD segment pin | — | — | — | — | — | — |
| 42 | PC3 | I/O | Input/output port | SEG11 | O | LCD segment pin | — | — | — | — | — | — |
| 43 | PC4 | I/O | Input/output port | SEG12 | O | LCD segment pin | — | — | — | — | — | — |
| 44 | PC5 | I/O | Input/output port | SEG13 | O | LCD segment pin | — | — | — | — | — | — |
| 45 | PC6 | I/O | Input/output port | SEG14 | O | LCD segment pin | — | — | — | — | — | — |
| 46 | PC7 | I/O | Input/output port | SEG15 | O | LCD segment pin | — | — | — | — | — | — |
| 47 | PD0 | I/O | Input/output port | SEG16 | O | LCD segment pin | — | — | — | — | — | — |
| 48 | PD1 | I/O | Input/output port | SEG17 | O | LCD segment pin | — | — | — | — | — | — |
| 49 | PD2 | I/O | Input/output port | SEG18 | O | LCD segment pin | — | — | — | — | — | — |
| 50 | PD3 | I/O | Input/output port | SEG19 | O | LCD segment pin | — | — | — | — | — | — |
| 51 | PD4 | I/O | Input/output port | SEG20 | O | LCD segment pin | — | — | — | — | — | — |
| 52 | PD5 | I/O | Input/output port | SEG21 | O | LCD segment pin | — | — | — | — | — | — |
| 53 | PD6 | I/O | Input/output port | SEG22 | O | LCD segment pin | — | — | — | — | — | — |
| 54 | PD7 | I/O | Input/output port | SEG23 | O | LCD segment pin | — | — | — | — | — | — |
| 55 | PE0 | I/O | Input/output port | SEG24 | O | LCD segment pin | — | — | — | — | — | — |
| 56 | PE1 | I/O | Input/output port | SEG25 | O | LCD segment pin | — | — | — | — | — | — |
| 57 | PE2 | I/O | Input/output port | SEG26 | O | LCD segment pin | — | — | — | — | — | — |

| Pin No. | Primary function | | | Secondary function | | | Tertiary function | | | Fourthly function | | |
|---------|------------------|-----|-------------------|--------------------|-----|-----------------|-------------------|-----|-------------|-------------------|-----|-------------|
| | Pin name | I/O | Description | Pin name | I/O | Description | Pin name | I/O | Description | Pin name | I/O | Description |
| 58 | PE3 | I/O | Input/output port | SEG27 | O | LCD segment pin | — | — | — | — | — | — |
| 59 | PE4 | I/O | Input/output port | SEG28 | O | LCD segment pin | — | — | — | — | — | — |
| 60 | PE5 | I/O | Input/output port | SEG29 | O | LCD segment pin | — | — | — | — | — | — |
| 61 | PE6 | I/O | Input/output port | SEG30 | O | LCD segment pin | — | — | — | — | — | — |
| 62 | PE7 | I/O | Input/output port | SEG31 | O | LCD segment pin | — | — | — | — | — | — |
| 63 | PF0 | I/O | Input/output port | SEG32 | O | LCD segment pin | — | — | — | — | — | — |
| 64 | PF1 | I/O | Input/output port | SEG33 | O | LCD segment pin | — | — | — | — | — | — |
| 65 | PF2 | I/O | Input/output port | SEG34 | O | LCD segment pin | — | — | — | — | — | — |
| 66 | PF3 | I/O | Input/output port | SEG35 | O | LCD segment pin | — | — | — | — | — | — |
| 67 | PF4 | I/O | Input/output port | SEG36 | O | LCD segment pin | — | — | — | — | — | — |
| 68 | PF5 | I/O | Input/output port | SEG37 | O | LCD segment pin | — | — | — | — | — | — |
| 69 | PF6 | I/O | Input/output port | SEG38 | O | LCD segment pin | — | — | — | — | — | — |
| 70 | PF7 | I/O | Input/output port | SEG39 | O | LCD segment pin | — | — | — | — | — | — |

PIN DESCRIPTION

| Pin name | I/O | Description | Primary/ Secondary | Logic |
|-----------------------------------|-----|--|-----------------------|----------|
| Power supply | | | | |
| V _{SS} | — | Negative power supply pin | — | — |
| V _{DD} | — | Positive power supply pin | — | — |
| V _{DDL} | — | Positive power supply pin for internal logic (internally generated). Connect capacitors (C _L) (see Measuring Circuit 1) between this pin and V _{SS} . | — | — |
| V _{PP} | — | Power supply pin for programming Flash ROM. | — | — |
| V _{L1} | — | Power supply pins for LCD bias (external input) | — | — |
| V _{L2} | — | Power supply pins for LCD bias (external input) | — | — |
| V _{L3} | — | Power supply pins for LCD bias (external input) | — | — |
| Test | | | | |
| TEST0 | I/O | Input/output pin for testing. Has a pull-down resistor built in. | — | Positive |
| TEST1_N | I/O | Input/output pin for testing. Has a pull-up resistor built in. | — | Negative |
| System | | | | |
| RESET_N | I | Reset input pin. When this pin is set to a “L” level, the device is placed in system reset mode and the internal circuit is initialized. If after that this pin is set to a “H” level, program execution starts. This pin has a pull-up resistor built in. | — | Negative |
| XT0 | I | Crystal connection pin for low-speed clock. A 32.768 kHz crystal oscillator (see measuring circuit 1) is connected to this pin. Capacitors C _{DL} and C _{GL} are connected across this pin and V _{SS} as required. | — | — |
| XT1 | O | | — | — |
| OSC0 | I | External input pin for high-speed clock. This function is allocated to the secondary function of the P10 pin. | Secondary | — |
| OSC1 | O | | Secondary | — |
| LSCLK | O | Low-speed clock output. This function is allocated to the secondary function of the P20/P36 pin. | Secondary | — |
| OUTCLK | O | High-speed clock output. This function is allocated to the secondary function of the P21 pin. | Secondary | — |
| General-purpose input port | | | | |
| P00 to P03 | I | General-purpose input ports. Provided with a secondary function for each port. Cannot be used as ports if their secondary functions are used. | Primary | Positive |
| P10 to P11 | I | | | |
| General-output input port | | | | |
| P20 to P23 | O | General-purpose output ports. Provided with a secondary function for each port. Cannot be used as ports if their secondary functions are used. | Primary | Positive |
| P90 to P93 | O | General-purpose output ports. Provided with a secondary function for each port. Cannot be used as ports if their secondary functions are used. | Primary | Positive |
| General-purpose input/output port | | | | |
| P30 to P36 | I/O | General-purpose input/output ports. Provided with a secondary function for each port. Cannot be used as ports if their secondary functions are used. | Primary | Positive |
| P40 to P47 | | | | |
| P50 to P53 | | | | |
| PC0 to PC7 | | General-purpose input/output ports. Provided with a LCD segment for each port. Cannot be used as ports if LCD segment are used. | | |
| PD0 to PD7 | | | | |
| PE0 to PE7 | | | | |
| PF0 to PF7 | | | | |

| Pin name | I/O | Description | Primary/ Secondary | Logic |
|--------------------------------|-----|--|-----------------------|-----------------------|
| UART | | | | |
| TXD0 | O | UART0 data output pin. Allocated to the secondary function of the P43 pin and the fourthly function of the P53 pin. | Secondary Fourthly | Positive |
| RXD0 | I | UART0 data input pin. Allocated to the primary function of the P02 pin and the secondary function of the P42 pin. | Secondary | Positive |
| TXD1 | O | UART1 data output pin. Allocated to the secondary function of the P53 pin and the fourthly function of the P43 pin. | Secondary Fourthly | Positive |
| RXD1 | I | UART1 data input pin. Allocated to the primary function of the P03 pin and the secondary function of the P52 pin. | Secondary | Positive |
| I ² C bus interface | | | | |
| SDA | I/O | I ² C data input/output pin. This pin is used as the secondary function of the P40 pin. This pin has an NMOS open drain output. When using this pin as a function of the I ² C, externally connect a pull-up resistor. | Secondary | Positive |
| SCL | I/O | I ² C clock output pin. This pin is used as the secondary function of the P41 pin. This pin has an NMOS open drain output. When using this pin as a function of the I ² C, externally connect a pull-up resistor. | Secondary | Positive |
| Synchronous serial (SSIO) | | | | |
| SIN0 | I | Synchronous serial data input pin. Allocated to the tertiary function of the P40 pin and P44 pin. | Tertiary | Positive |
| SCK0 | I/O | Synchronous serial clock input/output pin. Allocated to the tertiary function of the P41 pin and P45 pin. | Tertiary | — |
| SOUT0 | O | Synchronous serial data output pin. Allocated to the tertiary function of the P42 pin and P46 pin. | Tertiary | Positive |
| SIN1 | I | Synchronous serial data input pin. Allocated to the tertiary function of the P50 pin. | Tertiary | Positive |
| SCK1 | I/O | Synchronous serial clock input/output pin. Allocated to the tertiary function of the P51 pin. | Tertiary | — |
| SOUT1 | O | Synchronous serial data output pin. Allocated to the tertiary function of the P52 pin. | Tertiary | Positive |
| PWM | | | | |
| PWM4 | O | PWM4 output pin. Allocated to the tertiary function of the P34 and P43 pins. | Tertiary | Positive |
| PWM5 | O | PWM5 output pin. Allocated to the tertiary function of the P35 and P47 pins. | Tertiary | Positive |
| T0P4CK | I | External clock input pin for timer 0 and PWM4. Allocated to the primary function of the P44 pin. | Primary | — |
| T1P5CK | I | External clock input pin for timer 1 and PWM5. Allocated to the primary function of the P45 pin. | Primary | — |
| PW45EV0 PW45EV1 | I | Control start /stop pin for PWM4 and PWM5. Allocated to the primary function of the P00 pin and P30 pin. | Primary | — |
| External interrupt | | | | |
| NMI | I | External non-maskable interrupt input pin. The interrupt occurs on both the rising and falling edges. | Primary | Positive/ Negative |
| EXI0–EXI3 | I | External maskable interrupt input pins. It is possible, for each bit, to specify whether the interrupt is enabled and select the interrupt edge by software. Allocated to the primary function of the P00–P03 pins. | Primary | Positive/ Negative |

| Pin name | I/O | Description | Primary/ Secondary | Logic |
|---|-----|---|-----------------------|-----------------------|
| Timer | | | | |
| T0P4CK | I | External clock input pin for timer 0 and PWM4. Allocated to the primary function of the P44 pin. | Primary | — |
| T1P5CK | I | External clock input pin for timer 1 and PWM5. Allocated to the primary function of the P45 pin. | Primary | — |
| T8ACK | I | External clock input pin for timer 8 and timer A. Allocated to the primary function of the P46 pin. | Primary | — |
| T9BCK | I | External clock input pin for timer 9 and timer B. Allocated to the primary function of the P47 pin. | Primary | — |
| TM9OUT | O | Timer9 overflow output pin. Allocated to the secondary function of the P22 pin. | Tertiary | Positive |
| TMBOUT | O | TimerB overflow output pin. Allocated to the secondary function of the P23 pin. | Tertiary | Positive |
| LED drive | | | | |
| LED0-LED7 | O | Pins for LED driving. Allocated to the primary function of the P20–P23 pins and P90–P93 pins. | Primary | Positive/ Negative |
| Successive-approximation type A/D converter | | | | |
| V _{REF} | I | Reference power supply pin for successive approximation type A/D converter. | — | — |
| AIN0–AIN15 | I | Analog inputs to Ch0–Ch15 of the successive-approximation type A/D converter. Allocated to the secondary function of the P30 to P33 and P44 to P47 and P60 to P67 pins. | Primary | — |
| LCD driver | | | | |
| COM0 to COM3 | O | LCD common output pins. | Primary | — |
| SEG0 to SEG7 | O | LCD segment output pins. | Primary | — |
| SEG8 to SEG39 | O | LCD segment output pins. Allocated to the secondary function of the PC0 to PC7 and PD0 to PD7 and PE0 to PE7 and PF0 to PF7 pins. | Secondary | — |

TERMINATION OF UNUSED PINS**How to Terminate Unused Pins**

| Pin | Recommended pin termination |
|----------------------------|--|
| V _{PP} | open |
| RESET_N | open |
| TEST0 | open |
| TEST1_N | open |
| V _{REF} | Connect to V _{DD} |
| P00 to P03 | Connect V _{DD} or V _{SS} |
| P10 to P11 | Connect V _{DD} or V _{SS} |
| P20 to P23 | open |
| P30 to P33 (AIN0 to AIN3) | open |
| P34 to P36 | open |
| P40 to P43 | open |
| P44 to P47 (AIN4 to AIN7) | open |
| P50 to P53 | open |
| P60 to P67 (AIN8 to AIN15) | open |
| P90 to P93 | open |
| COM0 to COM3 | open |
| SEG0 to SEG7 | open |
| PC0 to PC7 (SEG8 to 15) | open |
| PD0 to PD7 (SEG16 to 23) | open |
| PE0 to PE7 (SEG24 to 31) | open |
| PF0 to PF7 (SEG32 to 39) | open |

Note:

For unused input ports or unused input/output ports, if the corresponding pins are configured as high-impedance inputs and left open, the supply current may become excessively large. Therefore, it is recommended to configure those pins as either inputs with a pull-down resistor/pull-up resistor or outputs.

ELECTRICAL CHARACTERISTICS

Absolute Maximum Ratings

(V_{SS} = 0V)

| Parameter | Symbol | Condition | Rating | Unit |
|------------------------|-------------------|----------------------------------|------------------------------|------|
| Power supply voltage 1 | V _{DD} | Ta = 25°C | -0.3 to +7.0 | V |
| Power supply voltage 2 | V _{DDL} | Ta = 25°C | -0.3 to +3.6 | V |
| Power supply voltage 3 | V _{PP} | Ta = 25°C | -0.3 to +9.5 | V |
| Power supply voltage 4 | V _{L1} | Ta = 25°C | -0.3 to +2.33 | V |
| Power supply voltage 5 | V _{L2} | Ta = 25°C | -0.3 to +4.66 | V |
| Power supply voltage 6 | V _{L3} | Ta = 25°C | -0.3 to +7.0 | V |
| Reference voltage | V _{REF} | Ta = 25°C | -0.3 to V _{DD} +0.3 | V |
| Analog input voltage | V _{AI} | Ta = 25°C | -0.3 to V _{DD} +0.3 | V |
| Input voltage | V _{IN} | Ta = 25°C | -0.3 to V _{DD} +0.3 | V |
| Output voltage | V _{OUT} | Ta = 25°C | -0.3 to V _{DD} +0.3 | V |
| Output current 1 | I _{OUT1} | Port3,4,5,6,C,D,E,F Ta = 25°C | -12 to +11 | mA |
| Output current 2 | I _{OUT2} | Port2,9 Ta = 25°C | -12 to +20 | mA |
| Power dissipation | PD | Ta = 25°C | 1 | W |
| Storage temperature | T _{STG} | — | -55 to +150 | °C |

Recommended Operating Conditions

(V_{SS} = 0V)

| Parameter | Symbol | Condition | Range | Unit |
|--|------------------|--|-------------------------------------|------|
| Operating temperature | T _{OP} | — | -40 to +85 | °C |
| Operating voltage | V _{DD} | — | 2.2 to 5.5 | V |
| Reference voltage | V _{REF} | — | 4.5 to V _{DD} | V |
| Analog input voltage | V _{AI} | — | V _{SS} to V _{REF} | |
| Operating frequency (CPU) | f _{OP} | — | 30k to 8.4M | Hz |
| Low-speed crystal oscillation frequency | f _{XTL} | — | 32.768k | Hz |
| Capacitor externally connected to V _{DD} pin | C _V | — | 10±30% | μF |
| Capacitor externally connected to V _{PP} pin | C ₁ | — | 1±30% | μF |
| Capacitor externally connected to V _{ref} pin | C _{AV} | — | 1±30% | μF |
| Low-speed crystal oscillation external capacitor | C _{DL} | Use 32.768KHz Crystal Oscillator DT-26 (DAISHINKU CORP.) | 12 to 25 | pF |
| | C _{GL} | | 12 to 25 | |
| High-speed crystal/ceramic oscillation frequency | f _{XTH} | — | 8M/8.192M | Hz |
| High-speed crystal oscillation external capacitor* | C _{DH} | — | 47±30% | pF |
| | C _{GH} | — | 47±30% | |
| Capacitor externally connected to V _{DDL} pin | C _L | — | 10±30% | μF |

* C_{GH} and C_{DH} are built into, external capacity is unnecessary for CSTLS8M00G56 (made by Murata Mfg.).

Flash Memory Operating Conditions

(V_{SS} = 0V)

| Parameter | Symbol | Condition | Range | Unit |
|-----------------------|------------------|------------------------------|-------------|-------|
| Operating temperature | T _{OP} | At write/erase | 0 to +40 | °C |
| Operating voltage | V _{DD} | At write/erase | 2.7 to 5.5 | V |
| | V _{DDL} | At write/erase ^{*1} | 2.5 to 2.75 | |
| | V _{PP} | At write/erase ¹ | 7.7 to 8.3 | |
| Maximum rewrite count | C _{EP} | — | 80 | times |
| Data retention period | Y _{DR} | — | 10 | years |

*1: At the writing of a flash ROM, it is necessary to supply voltage to V_{DDL} pin within the limits of the above-mentioned regulation. Pulldown resistance is built in the V_{PP} pin.

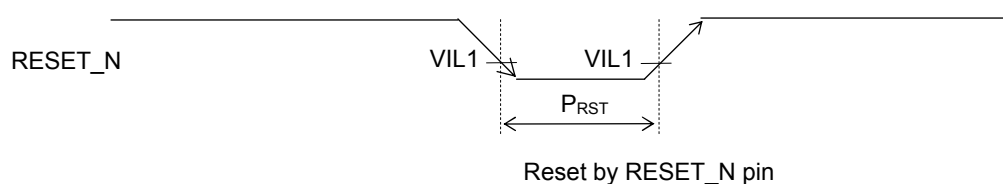
DC Characteristics (1 of 5)

(V_{DD}=2.2 to 5.5V, V_{SS}=0V, Ta=-40 to +85°C, unless otherwise specified)

| Parameter | Symbol | Condition | Min. | Typ. | Max. | Unit | Measuring circuit |
|--|-------------------|--------------------------------------|------------|-------|------------|------|-------------------|
| High-speed crystal oscillation start time | T _{XTH} | — | — | 2 | 20 | ms | 1 |
| Low-speed crystal oscillation start time ^{*2} | T _{XTL} | — | — | 0.6 | 2 | s | |
| Low-speed RC oscillator frequency | f _{LCR} | Ta= -10 to 60°C | Typ -5% | 32.7k | Typ +5% | Hz | |
| PLL oscillation frequency | f _{PLL} | LSCLK=32.768kHz 100 clock average | Typ -1% | 8.192 | Typ +1% | MHz | |
| Reset pulse width | P _{RST} | — | 100 | — | — | μs | |
| Reset noise rejection pulse width | P _{NRST} | — | — | — | 0.4 | | |

*1: Use 32.768KHz Crystal Oscillator DT-26 (Daishinku) with capacitance C_{GL}/C_{DL}=12pF.

Reset



DC Characteristics (2 of 5)

(V_{DD}=2.2 to 5.5V, V_{SS}=0V, Ta=-40 to +85°C, unless otherwise specified)

| Parameter | Symbol | Condition | | Min. | Typ. | Max. | Unit | Measuring circuit |
|-----------------------|------------------|-----------|---------------|-------------|------|-------------|------|-------------------|
| BLD threshold voltage | V _{BLD} | Ta = 25°C | LD3 to 0 = 0H | Typ. -2% | 2.35 | Typ. +2% | V | 1 |
| | | | LD3 to 0 = 3H | | 2.80 | | | |
| | | | LD3 to 0 = 9H | | 3.70 | | | |
| | | | LD3 to 0 = FH | | 4.60 | | | |

DC Characteristics (3 of 5)

(V_{DD}=2.2 to 5.5V, V_{SS}=0V, Ta=-40 to +85°C, unless otherwise specified)

| Parameter | Symbol | Condition | | Min. | Typ. | Max. | Unit | Measuring circuit |
|------------------|--------|--|--------------|------|------|------|------|-------------------|
| Supply current 1 | IDD1 | CPU: In STOP state Low-speed/high-speed oscillation: Stopped V _{DD} =3.0V | -40 to +35°C | — | 0.7 | 6 | μA | 1 |
| | | | -40 to +85°C | — | 0.7 | 22 | | |
| Supply current 2 | IDD2 | CPU: In HALT state (LTBC,WBC: Operating ^{*2}) High-speed oscillation: Stopped V _{DD} =3.0V | -40 to +35°C | — | 2.0 | 7 | | |
| | | | -40 to +85°C | — | 2.0 | 24 | | |
| Supply current 3 | IDD3 | CPU: Running at 32kHz ^{*1} High-speed oscillation: Stopped V _{DD} =3.0V | -40 to +35°C | — | 13 | 20 | | |
| | | | -40 to +85°C | — | 13 | 42 | | |
| Supply current 4 | IDD4 | CPU: Running at 8.192MHz Crystal/ceramic oscillating mode ^{*2} V _{DD} = SPV _{DD} = 5.0V | | — | 5 | 8 | mA | |

*¹: Case when the CPU operating rate is 100% (with no HALT state)*²: Significant bits of BLKCON0 to BLKCON4 registers are all "1".

DC Characteristics (4 of 5)

(V_{DD}=2.2 to 5.5V, V_{SS}=0V, Ta=-40 to +85°C, unless otherwise specified)

| Parameter | Symbol | Condition | | Min. | Typ. | Max. | Unit | Measuring circuit |
|--|--------|---|--|-------------------------|------|------|------|-------------------|
| Output voltage 1 (P20 to P23) (P30 to P36) (P40 to P47) (P50 to P53) (PC0 to PC7) (PD0 to PD7) (PE0 to PE7) (PF0 to PF7) | VOH1 | IOH1 = -0.5mA | | V _{DD} -0.5 | — | — | V | 2 |
| | VOL1 | IOL1 = +0.5mA | | — | — | 0.5 | | |
| Output voltage 2 (P20-P23) (P90-P93) | VOL2 | When LED drive mode is selected | IOL2 = +10mA V _{DD} ≥ 4.5V | — | — | 0.5 | | |
| Output voltage 3 (P40-P41) | VOL3 | When I ² C mode is selected | IOL3 = +3mA | — | — | 0.4 | | |
| Output leakage current (P20 to P23) (P30 to P36) (P40 to P47) (P50 to P53) (PC0 to PC7) (PD0 to PD7) (PE0 to PE7) (PF0 to PF7) | IOOH | VOH = V _{DD} (in high-impedance state) | | — | — | 1 | μA | 3 |
| | IOOL | VOL = V _{SS} (in high-impedance state) | | -1 | — | — | | |
| Output current 1 COM0 to COM3 | IOL1 | VL3=3V、VOL=0.3V | | 15 | 40 | — | μA | 3 |
| | | VL3=5V、VOL=0.5V | | 100 | 200 | — | | |
| | IOH1 | VL3=3V、VOH=2.7V | | — | -30 | -15 | | |
| | | VL3=5V、VOH=4.5V | | — | -90 | -45 | | |
| Output current 2 SEG0 to SEG39 | IOL2 | VL3=3V、VOL=0.3V | | 15 | 30 | — | | |
| | | VL3=5V、VOL=0.5V | | 70 | 150 | — | | |
| | IOH2 | VL3=3V、VOH=2.7V | | — | -13 | -6 | | |
| | | VL3=5V、VOH=4.5V | | — | -40 | -20 | | |
| Input current 1 (RESET_N) (TEST1_N) | IIH1 | VIH1 = V _{DD} | | 0 | — | 1 | | |
| | IIL1 | VIL1 = V _{SS} | | -1500 | -300 | -20 | | |
| Input current 2 (NMI) (P00 to P03) (P10 to P11) (P30 to P36) (P40 to P47) (P50 to P53) (PC0 to PC7) (PD0 to PD7) (PE0 to PE7) (PF0 to PF7) | IIH2 | VIH2 = V _{DD} (when pulled down) | | 2 | 30 | 250 | μA | 4 |
| | IIL2 | VIL2 = V _{SS} (when pulled up) | | -250 | -30 | -2 | | |
| | IIH2Z | VIH2 = V _{DD} (in high-impedance state) | | — | — | 1 | | |
| | IIL2Z | VIL2 = V _{SS} (in high-impedance state) | | -1 | — | — | | |
| Input current 3 (TEST0) | IIH3 | VIH3 = V _{DD} | | 20 | 300 | 1500 | | |
| | IIL3 | VIL3 = V _{SS} | | -1 | — | — | | |

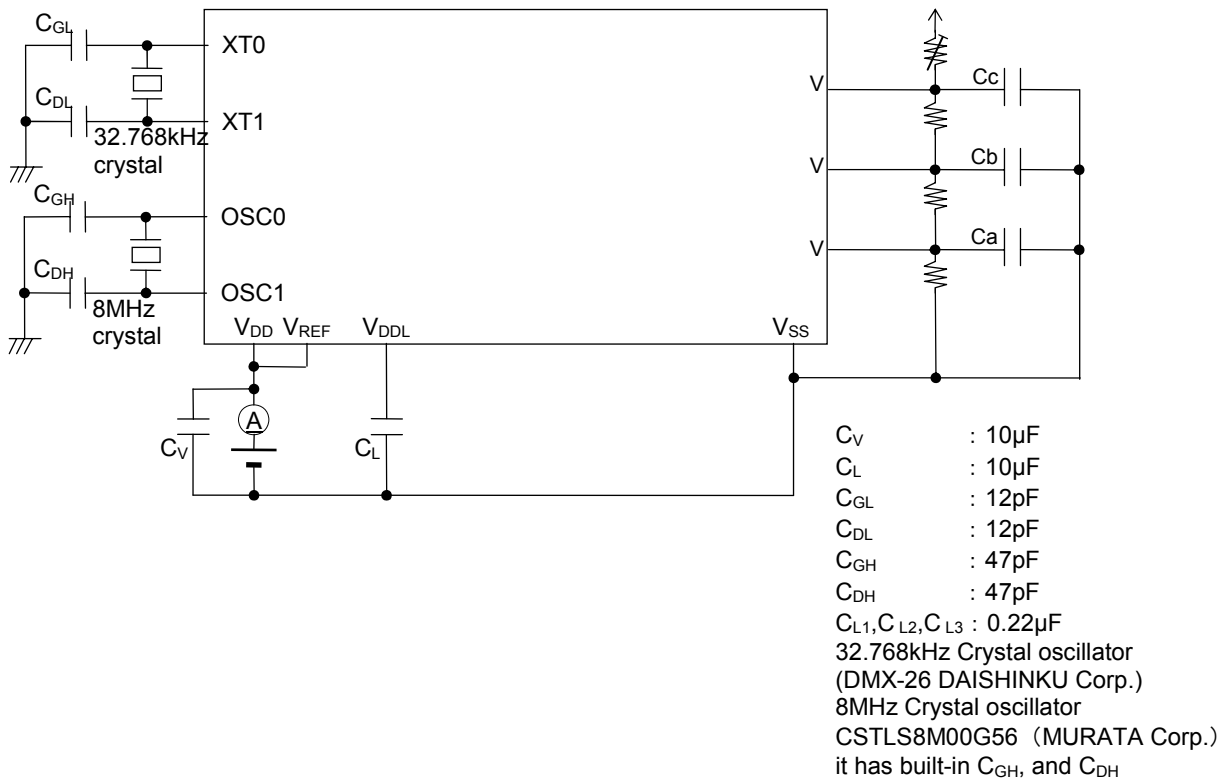
DC Characteristics (5 of 5)

(V_{DD}=2.2 to 5.5V, V_{SS}=0V, Ta=-40 to +85°C, unless otherwise specified)

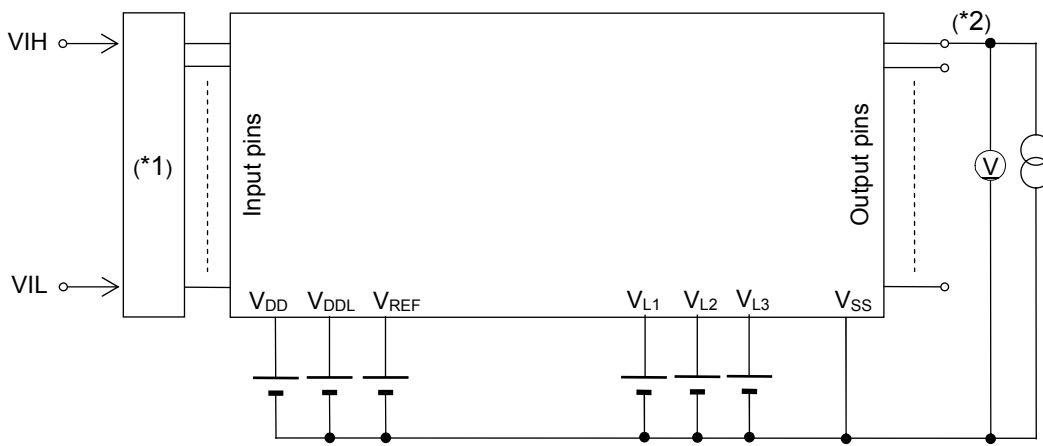
| Parameter | Symbol | Condition | Min. | Typ. | Max. | Unit | Measuring circuit |
|---|--------|---|-------------------------|------|-------------------------|------|-------------------|
| Input voltage 1 (RESET_N) (TEST0) (TEST1_N) (NMI) (P00 to P03) (P10 to P11) (P30 to P36) (P40 to P43) (P50 to P53) (PC0 to PC7) (PD0 to PD7) (PE0 to PE7) (PF0 to PF7) | VIH1 | — | 0.7× V _{DD} | — | V _{DD} | V | 5 |
| | VIL1 | — | 0 | — | 0.3× V _{DD} | | |
| Input pin capacitance (RESET_N) (TEST0) (TEST1_N) (NMI) (P00 to P03) (P10 to P11) (P30 to P36) (P40 to P43) (P50 to P53) (PC0 to PC7) (PD0 to PD7) (PE0 to PE7) (PF0 to PF7) | CIN | f = 10kHz V _{rms} = 50mV Ta = 25°C | — | — | 10 | pF | — |

Measuring Circuits

Measuring circuit 1



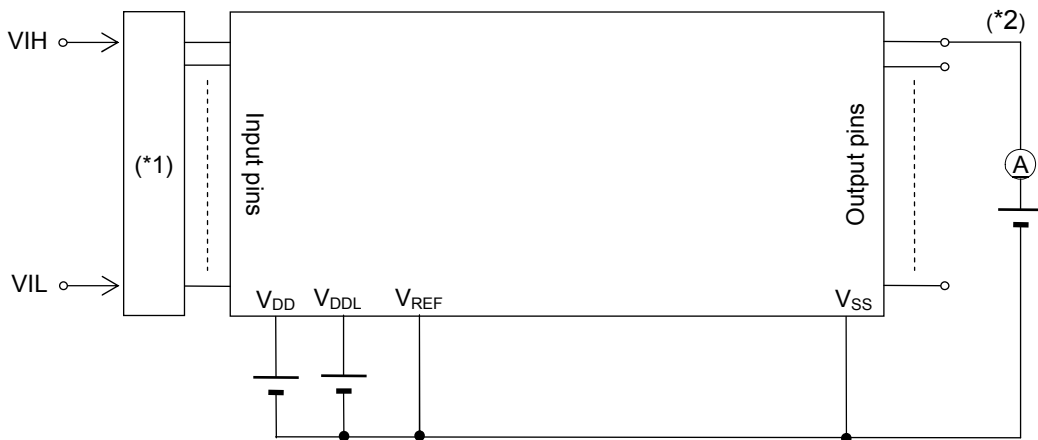
Measuring circuit 2



(*1) Input logic circuit to determine the specified measuring conditions.

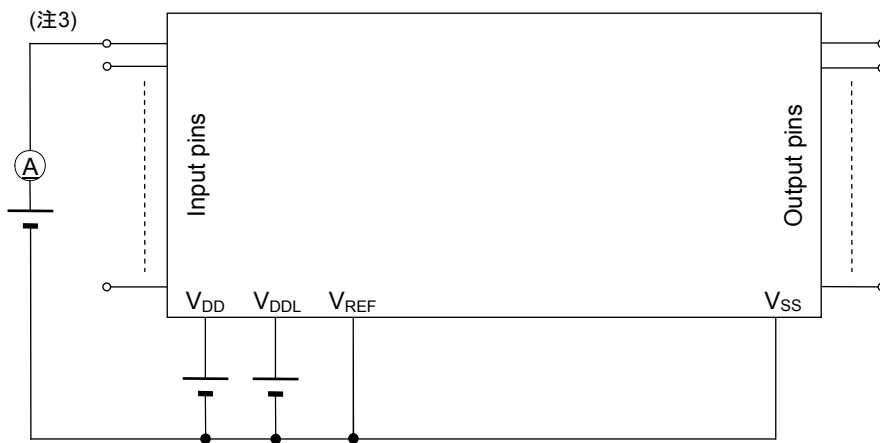
(*2) Measured at the specified output pins.

Measuring circuit 3



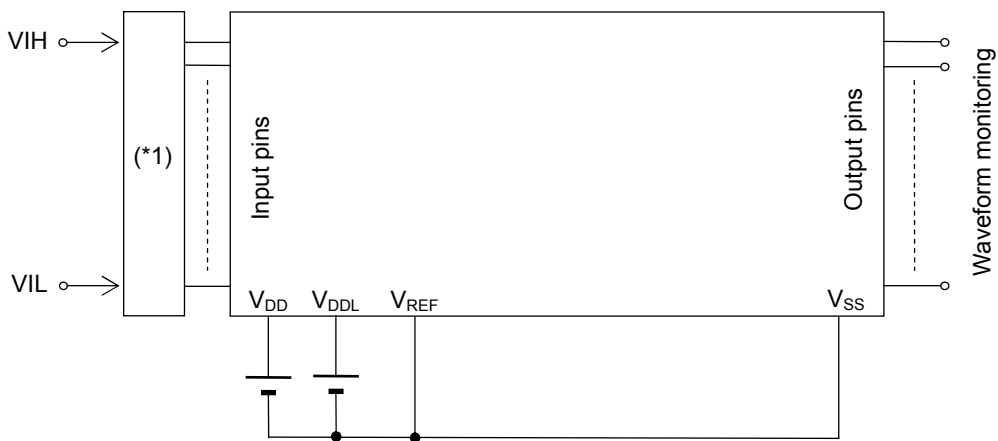
- (*1) Input logic circuit to determine the specified measuring conditions.
- (*2) Measured at the specified output pins.

Measuring circuit 4



- *3: Measured at the specified input pins.

Measuring circuit 5

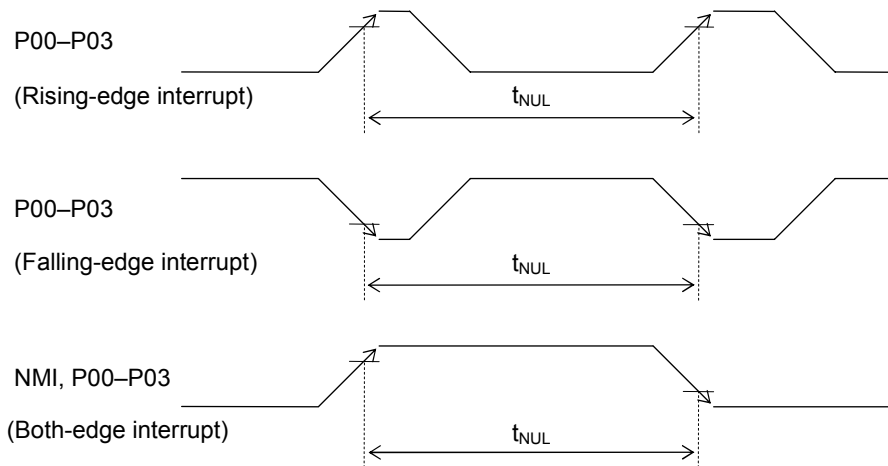


- *1: Input logic circuit to determine the specified measuring conditions.

AC Characteristics (External Interrupt)

(V_{DD}=2.2 to 5.5V, V_{SS}=0V, Ta=-40 to +85°C, unless otherwise specified)

| Parameter | Symbol | Condition | Min. | Typ. | Max. | Unit |
|-----------------------------------|------------------|---|----------------|------|----------------|------|
| External interrupt disable period | T _{NUL} | Interrupt: Enabled (MIE = 1), CPU: NOP operation | 2.5× sysclk | — | 3.5× sysclk | μs |

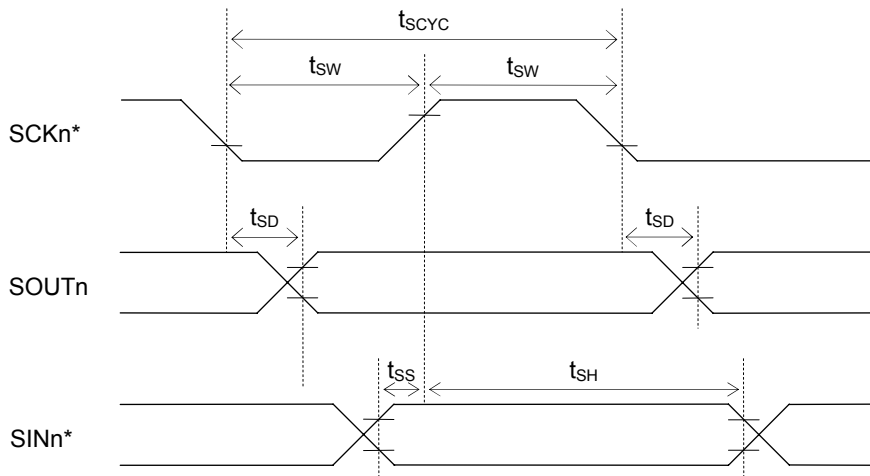


AC Characteristics (Synchronous Serial Port)

(V_{DD}=2.2 to 5.5V, V_{SS}=0V, Ta=-40 to +85°C, unless otherwise specified)

| Parameter | Symbol | Condition | Min. | Typ. | Max. | Unit |
|--------------------------------------|-------------------|--------------------------------|--------------------------|--------------------------|--------------------------|------|
| SCK input cycle (slave mode) | t _{SCYC} | High-speed oscillation stopped | 10 | — | — | μs |
| | | During high-speed oscillation | 500 | — | — | ns |
| SCK output cycle (master mode) | t _{SCYC} | — | — | SCK ^(*) | — | sec |
| SCK input pulse width (slave mode) | t _{SW} | High-speed oscillation stopped | 4 | — | — | μs |
| | | During high-speed oscillation | 200 | — | — | ns |
| SCK output pulse width (master mode) | t _{SW} | — | SCK ^(*) × 0.4 | SCK ^(*) × 0.5 | SCK ^(*) × 0.6 | sec |
| SOUT output delay time (slave mode) | t _{SD} | — | — | — | 180 | ns |
| SOUT output delay time (master mode) | t _{SD} | — | — | — | 80 | ns |
| SIN input setup time (slave mode) | t _{SS} | — | 50 | — | — | ns |
| SIN input hold time | t _{SH} | — | 50 | — | — | ns |

*1: Clock period selected by SnCK3-0 of the serial port n mode register (SIO_nMOD1)



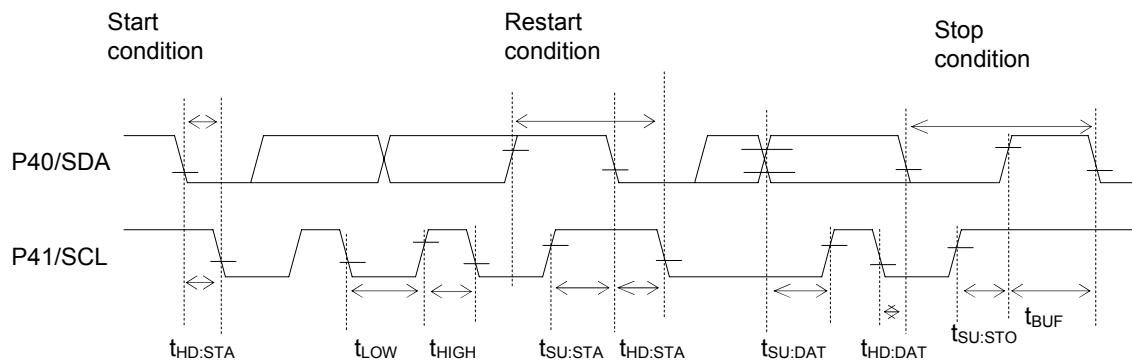
*: Indicates the secondary function of the corresponding port.

AC CHARACTERISTICS (I²C Bus Interface: Standard Mode 100kHz)(V_{DD}=2.2 to 5.5V, V_{SS}=0V, Ta=-40 to +85°C, unless otherwise specified)

| Parameter | Symbol | Condition | Rating | | | Unit |
|--|---------------------|-----------|--------|------|------|------|
| | | | Min. | Typ. | Max. | |
| SCL clock frequency | f _{SCL} | — | 0 | — | 100 | kHz |
| SCL hold time (start/restart condition) | t _{HD:STA} | — | 4.0 | — | — | μs |
| SCL "L" level time | t _{LOW} | — | 4.7 | — | — | μs |
| SCL "H" level time | t _{HIGH} | — | 4.0 | — | — | μs |
| SCL setup time (restart condition) | t _{SU:STA} | — | 4.7 | — | — | μs |
| SDA hold time | t _{HD:DAT} | — | 0 | — | — | μs |
| SDA setup time | t _{SU:DAT} | — | 0.25 | — | — | μs |
| SDA setup time (stop condition) | t _{SU:STO} | — | 4.0 | — | — | μs |
| Bus-free time | t _{BUF} | — | 4.7 | — | — | μs |

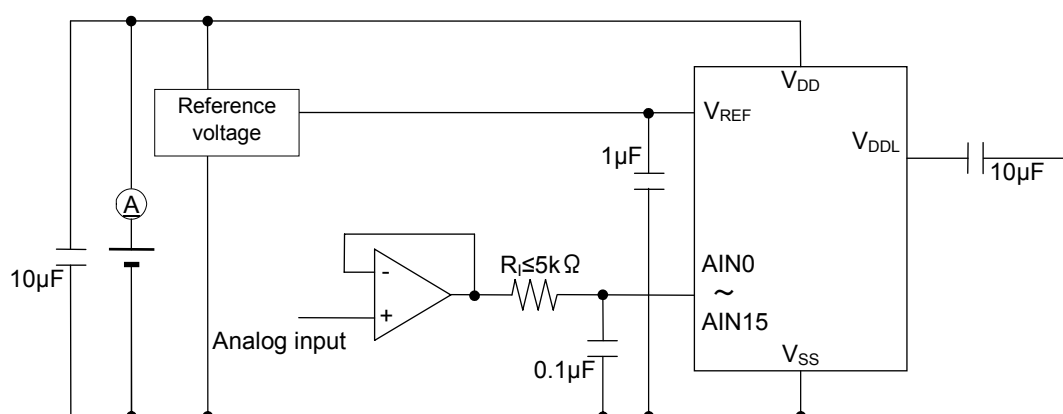
AC CHARACTERISTICS (I2C Bus Interface: Fast Mode 400kHz)(V_{DD}=2.2 to 5.5V, V_{SS}=0V, Ta=-40 to +85°C, unless otherwise specified)

| Parameter | Symbol | Condition | Rating | | | Unit |
|--|---------------------|-----------|--------|------|------|------|
| | | | Min. | Typ. | Max. | |
| SCL clock frequency | f _{SCL} | — | 0 | — | 400 | kHz |
| SCL hold time (start/restart condition) | t _{HD:STA} | — | 0.6 | — | — | μs |
| SCL "L" level time | t _{LOW} | — | 1.3 | — | — | μs |
| SCL "H" level time | t _{HIGH} | — | 0.6 | — | — | μs |
| SCL setup time (restart condition) | t _{SU:STA} | — | 0.6 | — | — | μs |
| SDA hold time | t _{HD:DAT} | — | 0 | — | — | μs |
| SDA setup time | t _{SU:DAT} | — | 0.1 | — | — | μs |
| SDA setup time (stop condition) | t _{SU:STO} | — | 0.6 | — | — | μs |
| Bus-free time | t _{BUF} | — | 1.3 | — | — | μs |



Electrical Characteristics of Successive Approximation Type A/D Converter $(V_{DD}=2.2$ to $5.5V$, $V_{SS}=0V$, $T_a=-40$ to $+85^{\circ}C$, unless otherwise specified)

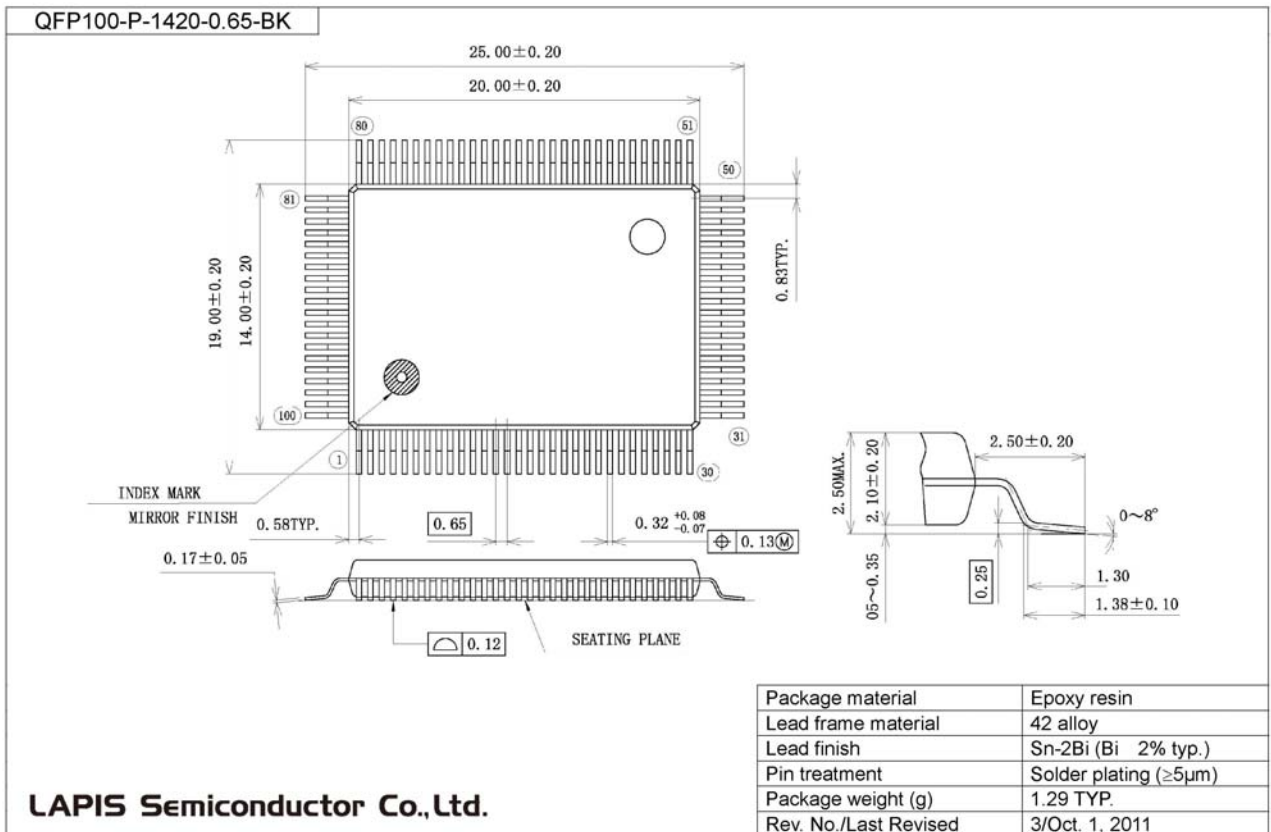
| Parameter | Symbol | Condition | Min. | Typ. | Max. | Unit |
|----------------------------------|------------|-------------------------------|------|------|----------|-----------|
| Resolution | n | — | — | — | 10 | bits |
| Integral non-linearity error | IDL | $2.7V \leq V_{REF} \leq 5.5V$ | -4 | — | +4 | LSB |
| Differential non-linearity error | DNL | $2.7V \leq V_{REF} \leq 5.5V$ | -3 | — | +3 | |
| Zero-scale error | V_{OFF} | — | -4 | — | +4 | |
| Full-scale error | FSE | — | -4 | — | +4 | |
| Input impedance | R_I | — | — | — | 5k | Ω |
| Reference voltage | V_{REF} | — | 4.5 | — | V_{DD} | V |
| Conversion time | t_{CONV} | HSCLK=3.0M to 8.4MHz | — | 102 | — | ϕ/CH |

 ϕ : Period of high-speed clock (HSCLK)

PACKAGE DIMENSIONS

Notes for Mounting the Surface Mount Type Package

The surface mount type packages are very susceptible to heat in reflow mounting and humidity absorbed in storage. Therefore, before you perform reflow mounting, contact LAPIS SEMICONDUCTOR's responsible sales person for the product name, package name, pin number, package code and desired mounting conditions (reflow method, temperature and times).



REVISION HISTORY

| Document No. | Date | Page | | Description |
|--------------------|--------------|------------------|-----------------|------------------|
| | | Previous Edition | Current Edition | |
| FEDL610Q178FULL-01 | May 18, 2012 | - | - | Formal edition 1 |

NOTES

No copying or reproduction of this document, in part or in whole, is permitted without the consent of LAPIS Semiconductor Co., Ltd.

The content specified herein is subject to change for improvement without notice.

The content specified herein is for the purpose of introducing LAPIS Semiconductor's products (hereinafter "Products"). If you wish to use any such Product, please be sure to refer to the specifications, which can be obtained from LAPIS Semiconductor upon request.

Examples of application circuits, circuit constants and any other information contained herein illustrate the standard usage and operations of the Products. The peripheral conditions must be taken into account when designing circuits for mass production.

Great care was taken in ensuring the accuracy of the information specified in this document. However, should you incur any damage arising from any inaccuracy or misprint of such information, LAPIS Semiconductor shall bear no responsibility for such damage.

The technical information specified herein is intended only to show the typical functions of and examples of application circuits for the Products. LAPIS Semiconductor does not grant you, explicitly or implicitly, any license to use or exercise intellectual property or other rights held by LAPIS Semiconductor and other parties. LAPIS Semiconductor shall bear no responsibility whatsoever for any dispute arising from the use of such technical information.

The Products specified in this document are intended to be used with general-use electronic equipment or devices (such as audio visual equipment, office-automation equipment, communication devices, electronic appliances and amusement devices).

The Products specified in this document are not designed to be radiation tolerant.

While LAPIS Semiconductor always makes efforts to enhance the quality and reliability of its Products, a Product may fail or malfunction for a variety of reasons.

Please be sure to implement in your equipment using the Products safety measures to guard against the possibility of physical injury, fire or any other damage caused in the event of the failure of any Product, such as derating, redundancy, fire control and fail-safe designs. LAPIS Semiconductor shall bear no responsibility whatsoever for your use of any Product outside of the prescribed scope or not in accordance with the instruction manual.

The Products are not designed or manufactured to be used with any equipment, device or system which requires an extremely high level of reliability the failure or malfunction of which may result in a direct threat to human life or create a risk of human injury (such as a medical instrument, transportation equipment, aerospace machinery, nuclear-reactor controller, fuel-controller or other safety device). LAPIS Semiconductor shall bear no responsibility in any way for use of any of the Products for the above special purposes. If a Product is intended to be used for any such special purpose, please contact a ROHM sales representative before purchasing.

If you intend to export or ship overseas any Product or technology specified herein that may be controlled under the Foreign Exchange and the Foreign Trade Law, you will be required to obtain a license or permit under the Law.

Copyright 2012 LAPIS Semiconductor Co., Ltd.

X-ON Electronics

Largest Supplier of Electrical and Electronic Components

Click to view similar products for [Development Boards & Kits - Other Processors](#) category:

Click to view products by [ROHM](#) manufacturer:

Other Similar products are found below :

[EVB-MEC1418MECC](#) [20-101-1252](#) [C29XPCIE-RDB](#) [CC-ACC-18M433](#) [STM8S/32-D/RAIS](#) [MAX1464EVKIT](#) [RTK0EN0001D01001BZ](#)
[MAXQ622-KIT#](#) [YR0K50571MS000BE](#) [QB-R5F104PJ-TB](#) [CC-ACC-ETHMX](#) [OV-7604-C7-EVALUATION-BOARD](#) [SK-AD02-](#)
[D62Q1747TB](#) [SK-BS01-D62Q1577TB](#) [ST7MDT1-EMU2](#) [GROVE BASE KIT FOR RASPBERRY PI](#) [CAB M-M\(40-17-RAINBOW\)](#)
[CY8CKIT-143A](#) [EK-MPC5744P](#) [KITAURIXTC234TFTTOBO1](#) [ENW89854AXKF](#) [ENWF9201AVEF](#) [QB-R5F104LE-TB](#) [LV18F V6 64-](#)
[80-PIN TQFP MCU CARD EMPTY](#) [LV-24-33 V6 44-PIN TQFP MCU CARD EMPTY](#) [LV-24-33 V6 64-PIN TQFP MCU CARD EMPTY](#)
[LV-24-33 V6 80-PIN TQFP 1 MCU CARD EMPTY](#) [32X32 RGB LED MATRIX PANEL - 6MM PITCH](#) [3.3 - 5 VTRANSLATOR](#) [READY](#)
[FOR XMEGA CASING \(WHITE\)](#) [RELAY4 BOARD](#) [ETHERNET CONNECTOR](#) [RFID CARD 125KHZ - TAG](#) [RFID READER](#) [RFM12B-](#)
[DEMO](#) [MAROON](#) [3G CLICK \(FOR EUROPE AND AUSTRALIA\)](#) [MAX232](#) [MAX3232 BOARD](#) [ARTY S7-50](#) [TINKERKIT HALL](#)
[SENSOR](#) [TOUCHPANEL](#) [TOUCHPANEL CONTROLLER](#) [MIKROBOARD FOR AVR WITH ATMEGA128](#) [MIKROBOARD FOR PSOC](#)
[WITH CY8C27643](#) [MIKROBUS CAPE](#) [MIKRODRIVE](#) [MIKROETH 100 BOARD](#) [MIKROLAB FOR 8051 L](#) [MIKROPROG TO ST-LINK](#)
[V2 ADAPTER](#)