

Dear customer

LAPIS Semiconductor Co., Ltd. ("LAPIS Semiconductor"), on the 1<sup>st</sup> day of October, 2020, implemented the incorporation-type company split (shinsetsu-bunkatsu) in which LAPIS established a new company, LAPIS Technology Co., Ltd. ("LAPIS Technology") and LAPIS Technology succeeded LAPIS Semiconductor's LSI business.

Therefore, all references to "LAPIS Semiconductor Co., Ltd.", "LAPIS Semiconductor" and/or "LAPIS" in this document shall be replaced with "LAPIS Technology Co., Ltd."

Furthermore, there are no changes to the documents relating to our products other than the company name, the company trademark, logo, etc.

Thank you for your understanding.

LAPIS Technology Co., Ltd.  
October 1, 2020

# ML62Q1700 Group

## 16-bit micro controller

### GENERAL DESCRIPTION

ML62Q1700 Group is a high performance CMOS 16-bit microcontroller equipped with an 16-bit CPU nX-U16/100 and integrated with program memory(Flash memory), data memory(RAM), data Flash and rich peripheral functions such as the multiplier/divider, CRC generator, DMA controller, Clock generator, Simplified RTC, Timer, General Purpose Ports, UART, Synchronous serial port, I<sup>2</sup>C bus interface unit(Master,Slave), Buzzer, Voltage Level Supervisor(VLS), Successive approximation type A/D converter, D/A converter, Analog comparator, LCD driver, Safety function(IEC60730/60335 Class B) and so on.

The CPU nX-U16/100 is capable of efficient instruction execution in 1-instruction 1-clock mode by pipeline architecture parallel processing.

The built-in on-chip debug function enables debugging and programming the software. Also, ISP(In-System Programming) function supports the Flash programming in production line.

The ML62Q1700 Group has seven packages (48pin - 100pin) and ten kinds of memory sizes(32Kbyte - 512Kbyte).

Table 1 ML62Q1700 Group Product List

| Program memory | Data memory (RAM) | Data Flash | 48pin TQFP48 | 52pin TQFP52 | 64pin QFP64 TQFP64 | 80pin QFP80 | 100pin QFP100 TQFP100 |
|----------------|-------------------|------------|--------------|--------------|--------------------|-------------|-----------------------|
| 512Kbyte       | 32Kbyte           | 8Kbyte     | —            | —            | ML62Q1729          | ML62Q1739   | ML62Q1749             |
| 384Kbyte       |                   |            | —            | —            | ML62Q1728          | ML62Q1738   | ML62Q1748             |
| 256Kbyte       | 16Kbyte           | 4Kbyte     | —            | —            | ML62Q1727          | ML62Q1737   | ML62Q1747             |
| 192Kbyte       |                   |            | —            | —            | ML62Q1726          | ML62Q1736   | ML62Q1746             |
| 160Kbyte       |                   |            | —            | —            | ML62Q1725          | ML62Q1735   | ML62Q1745             |
| 128Kbyte       | 16Kbyte           |            | —            | —            | —                  | ML62Q1734   | ML62Q1744             |
|                | 8Kbyte            |            | ML62Q1704    | ML62Q1714    | ML62Q1724          | —           | —                     |
| 96Kbyte        | 16Kbyte           |            | —            | —            | —                  | ML62Q1733   | ML62Q1743             |
|                | 8Kbyte            |            | ML62Q1703    | ML62Q1713    | ML62Q1723          | —           | —                     |
| 64Kbyte        | 8Kbyte            |            | ML62Q1702    | ML62Q1712    | ML62Q1722          | —           | —                     |
| 48Kbyte        |                   |            | ML62Q1701    | ML62Q1711    | ML62Q1721          | —           | —                     |
| 32Kbyte        |                   |            | ML62Q1700    | ML62Q1710    | ML62Q1720          | —           | —                     |
|                |                   | —          | —            | —            | —                  | —           |                       |

### FEATURES

- CPU
  - 16-bit RISC CPU: nX-U16/100(A35 core)
  - Instruction system: 16-bit length instructions
  - Instruction set: Transfer, arithmetic operations, comparison, logic operations, multiplication/division, bit manipulations, bit logic operations, jump, conditional jump, call return stack manipulations, arithmetic shift, and so on
  - Built-in On-chip debug function
  - Built-in ISP (In-System Programming) function
  - Minimum instruction execution time  
Approximately 30.5 μs (at 32.768 kHz system clock)  
Approximately 62.5ns/41.6ns (at 16 MHz/24MHz system clock)

- Coprocessor for multiplication and division
  - Multiplication : 16bit × 16bit (operation time : 4 cycles)
  - Division : 32bit ÷ 16bit (operation time : 8 cycles)
  - Division : 32bit ÷ 32bit (operation time : 16 cycles)
  - Multiply-accumulate (non-saturating): 16bit × 16bit + 32bit (operation time : 4 cycles)
  - Multiply-accumulate (saturating): 16bit × 16bit + 32bit (operation time : 4 cycles)
  - Signed or Unsigned is selectable
- Operating voltage and temperature
  - Operating voltage: VDD = 1.6 to 5.5 V (V<sub>DD</sub> should be 1.8V or over at Power-on)
  - Operating temperature: -40 °C to +105 °C
- Internal memory
  - Program memory area
    - Rewrite count: 100 cycles
    - Write unit: 32bit(4byte)
    - Erase unit: 16Kbyte/1Kbyte
    - Erase/Write temperature: 0 °C to +40 °C
  - Data Flash memory area
    - Rewrite count 10,000 cycles
    - Write unit: 8bit(1byte)
    - Erase unit: all area/128byte
    - Erase/Write temperature: -40 °C to +85 °C
    - Back Ground Operation(CPU can work while erasing and rewriting)

This product uses Super Flash® technology licensed from Silicon Storage Technology, Inc.  
Super Flash® is a registered trademark of Silicon Storage Technology, Inc.
  - Data RAM area
    - Rewrite unit: 8bit/16bit (1byte/2byte)
    - Parity check function is available (interrupt / reset are generatable at Parity error)
- Clock generation circuit
  - Low-speed clock (LSCLK)
    - Internal low-speed RC oscillation: Approximately 32.768 kHz
    - External low-speed clock input: Approximately 32.768 kHz
    - External low-speed crystal oscillation: 32.768 kHz crystal resonator is connectable
    - 3 selectable crystal oscillation mode (Tough, Normal, and Low current consumption)
      - Tough mode: Largest oscillation allowance to make highest resistance against leakage between the pins
      - Normal mode: Normal oscillation allowance and current consumption
      - Low current consumption mode: Smallest oscillation allowance to make lower current consumption
  - High-speed clock (HSCLK)
    - PLL oscillation: 2 selectable oscillation frequency (24MHz and 16MHz) by code option
  - Watch Dog Timer (WDT): built-in independent clock for WDT (RC1K: Approximately 1kHz )
- Reset
  - Reset by reset input pin
  - Reset by Power-On Reset
  - Reset by WDT overflow
  - Reset by WDT invalid clear
  - Reset by RAM parity error
  - Reset by unused ROM area access (instruction access)
  - Reset by voltage level supervisor (VLS)
  - Software reset by BRK instruction (reset CPU only)
  - Reset the peripherals individually
  - Collective reset to the all control pins and peripheral circuits

- Power management
  - HALT mode: CPU stops executing instruction, peripheral circuits continue working
  - HALT-H mode: CPU stops executing instruction, high-speed clock oscillation stops and peripheral circuits continue working with low-speed clock
  - STOP mode: CPU and peripheral circuits stop executing instruction, both high-speed oscillation and low-speed oscillation stop.
  - STOP-D mode: CPU and peripheral circuits stop executing instruction, both high-speed oscillation and low-speed oscillation stop. The internal logic voltage ( $V_{DDL}$ ) goes down to reduce the current consumption (RAM data is retained).
  - Clock gear: High-speed system clock frequency can be changed (1/1, 1/2, 1/4, 1/8, 1/16 or 1/32 of HSCLK)
  - Block Control Function: Powers down the unused function blocks (reset the block or stop supplying the clock)
- Interrupt controller
  - External interrupt ports : max. 12
  - Non-maskable interrupt source: 1 (Internal sources: WDT)
  - Maskable interrupt sources: max. 51
  - Four step interrupt levels
- Watchdog timer(WDT)
  - Selectable Operating clock : select RC1K or LSCLK by code option
  - Overflow period: 8selectable (7.8ms, 15.6ms, 31.3ms, 62.5ms, 125ms, 500ms, 2s and 8s)
  - Selectable window function (enable or disable): configurable clear enable period (50% or 75% of overflow period)
  - Selectable WDT operation : select Enable or Disable by code option
  - Readable WDT counter : WDT counter monitor function
- DMA(Direct Memory Access) controller
  - Channel: 2channel
  - Transfer unit: 8bit/16bit
  - Transfer count: 1 to 1024
  - Transfer cycle: 2 cycle transfer
  - Transfer address: Fixed addressing mode, increment addressing mode , and decrement addressing mode
  - Transfer target: Special Function Register (SFR)/RAM → SFR/RAM (Transfer from/to Flash is not supported)
  - Transfer request: External pins, Serial communication unit, Successive approximation type A/D converter, 16bit timer, and Functional timer
- Low-speed Time base counter
  - Generate 8 frequency (128Hz to 1Hz) internal pulse signals by dividing the Low-speed clock (LSCLK)
  - Selectable 3 interrupts from eight frequency internal pulse signals
  - 1Hz or 2Hz output from general purpose port
  - Built-in Frequency adjust function: Adjust range: Approximately -488ppm to +488ppm, adjust resolution: Approximately 0.119ppm
- Simplified RTC
  - Channel: 1channel
  - Count by a unit for one second from "00 min. 00 sec" to "59 min. 59 sec"
  - Selectable Periodical interrupt request from four periods (0.5s, 1s, 30s or 60s)
  - Built-in minute and second writing error protraction function

- Functional timer
  - Channel: Max. 8channel
  - Built-in timer, capture, and PWM function by 16 bit counter
  - One shot mode is available
  - Two types of PWM output with the same period and different duties, and complementary PWM output with the dead time
  - Monitor input signal duty and the period by capture function
  - Generate periodical interrupts, duty interrupts, and interrupts coincided with set value
  - Counter Start, Stop, Counter clear triggered by an external inputs or Timer
  - Generate Emergency stop and emergency stop interrupt triggered by an external input
  - Same start/stop among different channels of the functional timer
  - Selectable counter clock(external clock or divided by 1 to 128 of LSCLK or HSCLK) for each channels
  
- 16-bit General timers
  - Channel: Max. 8channel
  - 8 bits timer mode and 16-bit timer mode
  - Same start/stop among different channels of 16bit (8bit) timer
  - Timer output (toggled by overflow)
  - Selectable counter clock (external clock or divided by 1 to 128 of LSCLK or HSCLK) for each channels
  
- Serial communication unit
  - Synchronous Serial Port (SSIO) mode or UART mode is selectable
  - Channel: Max. 6channel
  
  - < Synchronous Serial Port mode>
    - Selectable from Master and Slave
    - Selectable from LSB first or MSB first
    - Selectable 8-bit length or 16-bit length
  
  - < UART mode>
    - Full-duplex communication mode and half-duplex communication mode
    - 5 to 8 bit length, parity or no parity, odd parity or even parity, 1 stop bit or 2 stop bits
    - Selectable from Positive logic or Negative logic
    - Selectable from LSB first or MSB first
    - Configurable wide range communication speed
      - 32.768kHz operation clock : 1 bit/s to 4,800 bit/s
      - 24MHz operation clock : 600 bit/s to 3M bit/s
      - 16MHz operation clock : 300 bit/s to 2M bit/s
    - Built-in baud rate generator
  
- I<sup>2</sup>C bus unit (Master / Slave)
  - Selectable from Master mode or Slave mode
  - Channel: 1channel
  
  - < Master function >
    - Standard mode (100 kbit/s), fast mode (400 kbit/s) and 1Mbps mode(1Mbit/s)
    - Handshake (Clock synchronization)
    - 7bit address format (10bit address format is supported)
  
  - < Slave function >
    - Standard mode (100 kbit/s), fast mode (400 kbit/s) and 1Mbps mode(1Mbit/s)
    - Clock stretch function
    - 7bit address format
  
- I<sup>2</sup>C bus Master
  - Channel: 2channel
  - Standard mode (100 kbit/s), fast mode (400 kbit/s) and 1Mbps mode(1Mbit/s)
  - Handshake (Clock synchronization)
  - 7bit address format (10bit address format is supported)

- General-purpose ports (GPIO)
  - I/O port: Max. 87 (Including one pin for on-chip debug and pins for other shared functions)
  - Input port: Max. 2(Including a shared function)
  - External interrupt port : Max. 12
  - LED driver port : Max. 86
  - Carrier frequency output function (for IR communication)
- Successive approximation type A/D converter (SA-ADC)
  - Channel: Max.16channel
  - Resolution: 10bit
  - Conversion time: Min. 2.25 $\mu$ s / channel (When the conversion clock is 8MHz)
  - Reference voltages are selectable  
(V<sub>DD</sub> pin / Internal reference voltage(V<sub>REFI</sub> = Approximately 1.55V) / External reference voltage (V<sub>REF</sub> pin))
  - Selected channel repeat conversion
  - dedicated result register for each channel
  - Interrupt determining by upper limit or lower limit threshold of conversion result
- Voltage Level Supervisor (VLS)
  - Accuracy:  $\pm 4\%$
  - Threshold voltage: 12 selectable (from 1.85V to 4.00V)
  - Functional Voltage level detection reset (VLS reset)
  - Functional Voltage level detection interrupt (VLS0 interrupt)
- Analog comparator
  - Channel: 2channel
  - Selectable interrupt from the comparator output (rising edge or falling edge)
  - Selectable from sampling or without sampling
  - Comparable with external 2 inputs
  - Comparable with external input and internal reference voltage (0.8V)
- D/A converter
  - Channel: Max 2channel
  - Resolution: 8bit
  - Output impedance: 6k ohm (Typ.)
  - R-2R ladder type
- Buzzer
  - 4 buzzer mode (Continuous sound, Single sound, Intermittent sound 1 and Intermittent sound 2)
  - 8frequencies (4.096kHz to 293Hz)
  - 15 step duty (1/16 to 15/16)
  - Selectable from positive logic buzzer output or negative logic buzzer output
- CRC(Cyclic Redundancy Check) generator
  - Generation equation:  $X^{16}+X^{12}+X^5+1$
  - Selectable from LSB first or MSB first
  - Built-in Automatic program memory CRC calculation mode in HALT mode
- LCD driver
  - Max. 480 dots (60seg x 8 com)<sup>\*1</sup>

|   |  |
|---|--|
| ML62Q1700/1701/1702/1703/1704:                              | 24seg $\times$ 8com (com Max.), 29seg $\times$ 3com (seg Max.) |
| ML62Q1710/1711/1712/1713/1714:                              | 27seg $\times$ 8com (com Max.), 32seg $\times$ 3com (seg Max.) |
| ML62Q1720/1721/1722/1723/1724/<br>1725/1726/1727/1728/1729: | 35seg $\times$ 8com (com Max.), 40seg $\times$ 3com (seg Max.) |
| ML62Q1733/1734/1735/1736/1737/1738/1739:                    | 45seg $\times$ 8com (com Max.), 50seg $\times$ 3com (seg Max.) |
| ML62Q1743/1744/1745/1746/1747/1748/1749:                    | 60seg $\times$ 8com (com Max.), 65seg $\times$ 3com (seg Max.) |
  - <sup>\*1</sup> : Five pins are shared for common or segment, selectable by setting a SFR
  - 1/3 bias (built-in bias generation circuit)
  - Frame frequency (Approximately. 32Hz, 38Hz, 64Hz, 75Hz, 128Hz and 150Hz)

- Four bias generation modes (Internal voltage boost, External capacitive voltage divide, Internal capacitive voltage divide and External supply voltages)
- Contrast adjustment (32 steps) is available in the Internal voltage boost mode.
- Safety Function (IEC60730/60335 Class B)
  - Automatic switching to the internal low-speed RC oscillation in case the low-speed crystal oscillation stopped
  - RAM/SFR guard
  - Automatic program memory CRC calculation
  - RAM parity error detection
  - ROM unused area access reset (instruction access)
  - Clock mutual monitoring
  - WDT counter monitoring
  - SA-ADC test
  - UART test
  - Synchronous serial I/O test
  - I<sup>2</sup>C bus test
  - GPIO test
- Shipping package
  - 48-pin plastic TQFP  
ML62Q1700/1701/1702/1703/1704 - xxxTB  
(Blank part: :ML62Q1700/1701/1702/1703/1704-NNNTB)
  - 52-pin plastic TQFP  
ML62Q1710/1711/1712/1713/1714 - xxxTB  
(Blank part: ML62Q1710/1711/1712/1713/1714-NNNTB)
  - 64-pin plastic TQFP  
ML62Q1720/1721/1722/1723/1724/1725/1726/1727/1728/1729 - xxxTB  
(Blank part: ML62Q1720/1721/1722/1723/1724/1725/1726/1727/1728/1729-NNNTB)
  - 64-pin plastic QFP  
ML62Q1720/1721/1722/1723/1724/1725/1726/1727/1728/1729 - xxxGA  
(Blank part: ML62Q1720/1721/1722/1723/1724/1725/1726/1727/1728/1729-NNNGA)
  - 80-pin plastic QFP  
ML62Q1733/1734/1735/1736/1737/1738/1739- xxxGA  
(Blank part: ML62Q1733/1734/1735/1736/1737/1738/1739-NNNGA)
  - 100-pin plastic TQFP  
ML62Q1743/1744/1745/1746/1747/1748/1749 – xxxTB  
(Blank part: ML62Q1743/1744/1745/1746/1747/1748/1749-NNNTB)
  - 100-pin plastic QFP  
ML62Q1743/1744/1745/1746/1747/1748/1749 - xxxGA  
(Blank part: ML62Q1743/1744/1745/1746/1747/1748/1749-NNNGA)

xxx: ROM code number

ML62Q1700 Group how to read the part number

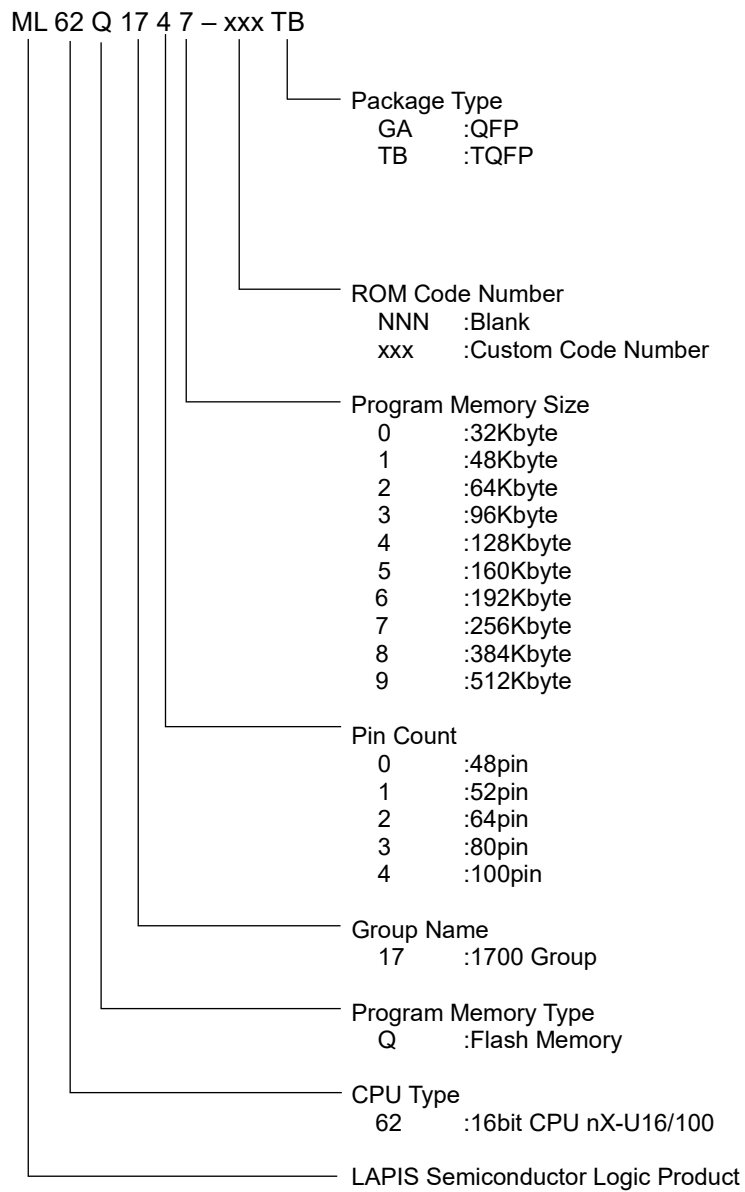


Figure 1 ML62Q1700 Group Part Number



ML62Q1700 Group Main Function List

Table 2 ML62Q1700 Group Main Function List

| Part number | Pin              |                  |                 |                           | LCD drive pin |                | Interrupt                                      | Timer                         |                                | Serial       | Analog                      |                           |                       |                                  |                     |  |   |   |  |                        |                               |                         |   |
|-------------|------------------|------------------|-----------------|---------------------------|---------------|----------------|--|-------------------------------|--------------------------------|--------------|-----------------------------|---------------------------|-----------------------|----------------------------------|---------------------|--|---|---|--|------------------------|-------------------------------|-------------------------|---|
|             | Total pin-counts | Power pin counts | Reset Input pin | Input port * <sup>3</sup> | I/O port      | LED drive port | LCD common/segment shared pin * <sup>4,5</sup> | LCD common pin * <sup>5</sup> | LCD segment pin * <sup>5</sup> | LCD bias pin | Internal Interrupt [source] | External Interrupt [port] | Functional Timer [ch] | 16-bit Timer [ch] * <sup>1</sup> | Simplified RTC [ch] | Serial communication unit (Full-duplex UART or Synchronous serial) [ch] * <sup>2</sup> | I <sup>2</sup> C bus unit (Master/Slave) [ch] | I <sup>2</sup> C bus interface (Master only) [ch] | 10bit Successive type A/D converter [ch] | Analog comparator [ch] | Analog comparator [input pin] | 8bit D/A converter [ch] |   |
| ML62Q1700   | 48               | 3                |                 |                           | 37            | 36             |  |                               | 24                             |              |                             |                           |                       |                                  |                     | 2  |   |   | 12                                       |                        |                               |                         | 1 |
| ML62Q1701   |                  |                  |                 |                           |               |                |  |                               |                                |              |                             |                           |                       |                                  |                     |  |   |   |  |                        |                               |                         |   |
| ML62Q1702   |                  |                  |                 |                           |               |                |  |                               |                                |              |                             |                           |                       |                                  |                     |  |   |   |  |                        |                               |                         |   |
| ML62Q1703   |                  |                  |                 |                           |               |                |  |                               |                                |              |                             |                           |                       |                                  |                     |  |   |   |  |                        |                               |                         |   |
| ML62Q1704   | 52               |                  |                 |                           | 41            | 40             |  |                               | 27                             |              |                             |                           |                       |                                  |                     |  |   |   |  |                        |                               |                         |   |
| ML62Q1710   |                  |                  |                 |                           |               |                |  |                               |                                |              |                             |                           |                       |                                  |                     |  |   |   |  |                        |                               |                         |   |
| ML62Q1711   |                  |                  |                 |                           |               |                |  |                               |                                |              |                             |                           |                       |                                  |                     |  |   |   |  |                        |                               |                         |   |
| ML62Q1712   |                  |                  |                 |                           |               |                |  |                               |                                |              |                             |                           |                       |                                  |                     |  |   |   |  |                        |                               |                         |   |
| ML62Q1713   | 64               |                  |                 |                           | 53            | 52             |  |                               | 35                             |              |                             |                           |                       |                                  | 1                   |  | 1   | 2   |  |                        |                               |                         |   |
| ML62Q1714   |                  |                  |                 |                           |               |                |  |                               |                                |              |                             |                           |                       |                                  |                     |  |   |   |  |                        |                               |                         |   |
| ML62Q1720   |                  |                  |                 |                           |               |                |  |                               |                                |              |                             |                           |                       |                                  |                     |  |   |   |  |                        |                               |                         |   |
| ML62Q1721   |                  |                  |                 |                           |               |                |  |                               |                                |              |                             |                           |                       |                                  |                     |  |   |   |  |                        |                               |                         |   |
| ML62Q1722   | 100              | 1                | 2               |                           | 5             | 3              |  |                               | 5                              |              |                             |                           |                       |                                  | 6                   |  | 1   | 2   |  |                        |                               |                         | 4 |
| ML62Q1723   |                  |                  |                 |                           |               |                |  |                               |                                |              |                             |                           |                       |                                  |                     |  |   |   |  |                        |                               |                         |   |
| ML62Q1724   |                  |                  |                 |                           |               |                |  |                               |                                |              |                             |                           |                       |                                  |                     |  |   |   |  |                        |                               |                         |   |
| ML62Q1725   |                  |                  |                 |                           |               |                |  |                               |                                |              |                             |                           |                       |                                  |                     |  |   |   |  |                        |                               |                         |   |
| ML62Q1726   | 80               |                  |                 |                           | 67            | 66             |  |                               | 45                             |              |                             |                           |                       |                                  |                     |  |   |   |  |                        |                               |                         |   |
| ML62Q1727   |                  |                  |                 |                           |               |                |  |                               |                                |              |                             |                           |                       |                                  |                     |  |   |   |  |                        |                               |                         |   |
| ML62Q1728   |                  |                  |                 |                           |               |                |  |                               |                                |              |                             |                           |                       |                                  |                     |  |   |   |  |                        |                               |                         |   |
| ML62Q1729   |                  |                  |                 |                           |               |                |  |                               |                                |              |                             |                           |                       |                                  |                     |  |   |   |  |                        |                               |                         |   |
| ML62Q1733   | 45               |                  |                 |                           |               |                |  |                               |                                | 43           | 12                          | 8                         | 8                     |                                  | 6                   |  |   |   |  |                        |                               |                         | 2 |
| ML62Q1734   |                  |                  |                 |                           |               |                |  |                               |                                |              |                             |                           |                       |                                  |                     |  |   |   |  |                        |                               |                         |   |
| ML62Q1735   |                  |                  |                 |                           |               |                |  |                               |                                |              |                             |                           |                       |                                  |                     |  |   |   |  |                        |                               |                         |   |
| ML62Q1736   |                  |                  |                 |                           |               |                |  |                               |                                |              |                             |                           |                       |                                  |                     |  |   |   |  |                        |                               |                         |   |
| ML62Q1737   | 100              |                  |                 |                           | 87            | 86             |  |                               | 60                             |              |                             |                           |                       |                                  |                     |  |   |   |  |                        |                               |                         |   |
| ML62Q1738   |                  |                  |                 |                           |               |                |  |                               |                                |              |                             |                           |                       |                                  |                     |  |   |   |  |                        |                               |                         |   |
| ML62Q1739   |                  |                  |                 |                           |               |                |  |                               |                                |              |                             |                           |                       |                                  |                     |  |   |   |  |                        |                               |                         |   |
| ML62Q1743   |                  |                  |                 |                           |               |                |  |                               |                                |              |                             |                           |                       |                                  |                     |  |   |   |  |                        |                               |                         |   |
| ML62Q1744   |                  |                  |                 |                           |               |                |  |                               |                                |              |                             |                           |                       |                                  |                     |  |   |   |  |                        |                               |                         |   |
| ML62Q1745   |                  |                  |                 |                           |               |                |  |                               |                                |              |                             |                           |                       |                                  |                     |  |   |   |  |                        |                               |                         |   |
| ML62Q1746   |                  |                  |                 |                           |               |                |  |                               |                                |              |                             |                           |                       |                                  |                     |  |   |   |  |                        |                               |                         |   |
| ML62Q1747   |                  |                  |                 |                           |               |                |  |                               |                                |              |                             |                           |                       |                                  |                     |  |   |   |  |                        |                               |                         |   |
| ML62Q1748   |                  |                  |                 |                           |               |                |  |                               |                                |              |                             |                           |                       |                                  |                     |  |   |   |  |                        |                               |                         |   |
| ML62Q1749   |                  |                  |                 |                           |               |                |  |                               |                                |              |                             |                           |                       |                                  |                     |  |   |   |  |                        |                               |                         |   |

\*<sup>1</sup> : One 16bit timer is configurable as two 8bit timers

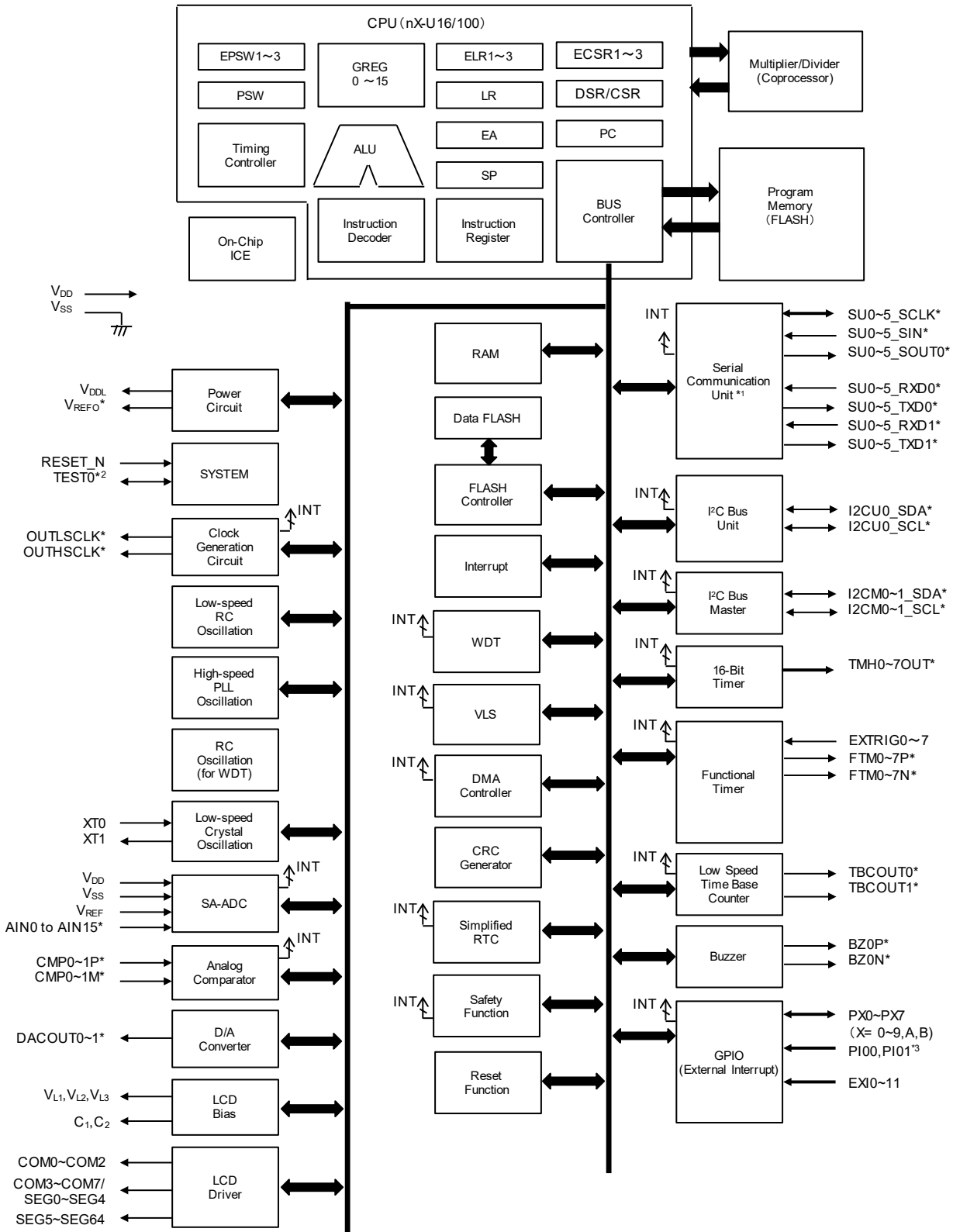
\*<sup>2</sup> : Synchronous Communication unit includes UART mode and Synchronous Serial Port mode. UART mode and Synchronous Serial Port can not be used at the same time in the same channel.

\*<sup>3</sup> : Shared with pins for crystal oscillation

\*<sup>4</sup> : The LCD common/segment shared pins are shared for common or segment, selectable by setting a SFR

\*<sup>5</sup> : All LCD drive pins are shared with general purpose I/O ports.

BLOCK DIAGRAM



- \* : Indicates the shared function of general ports.
- \*1 : Shared UART and Synchronous Serial Port.
- \*2 : Not available as the input port when connecting to the on-chip debug emulator.
- \*3 : Not available as the input port when connecting to the crystal resonator.

Figure 2 ML62Q1700 Group Block Diagram

## PIN CONFIGURATION

The pin names in the pin-layout indicate 1<sup>st</sup>-function or LCD function. Refer to Table-3 or Table-4 about other functions.

### Pin Layout of 48pin TQFP Package

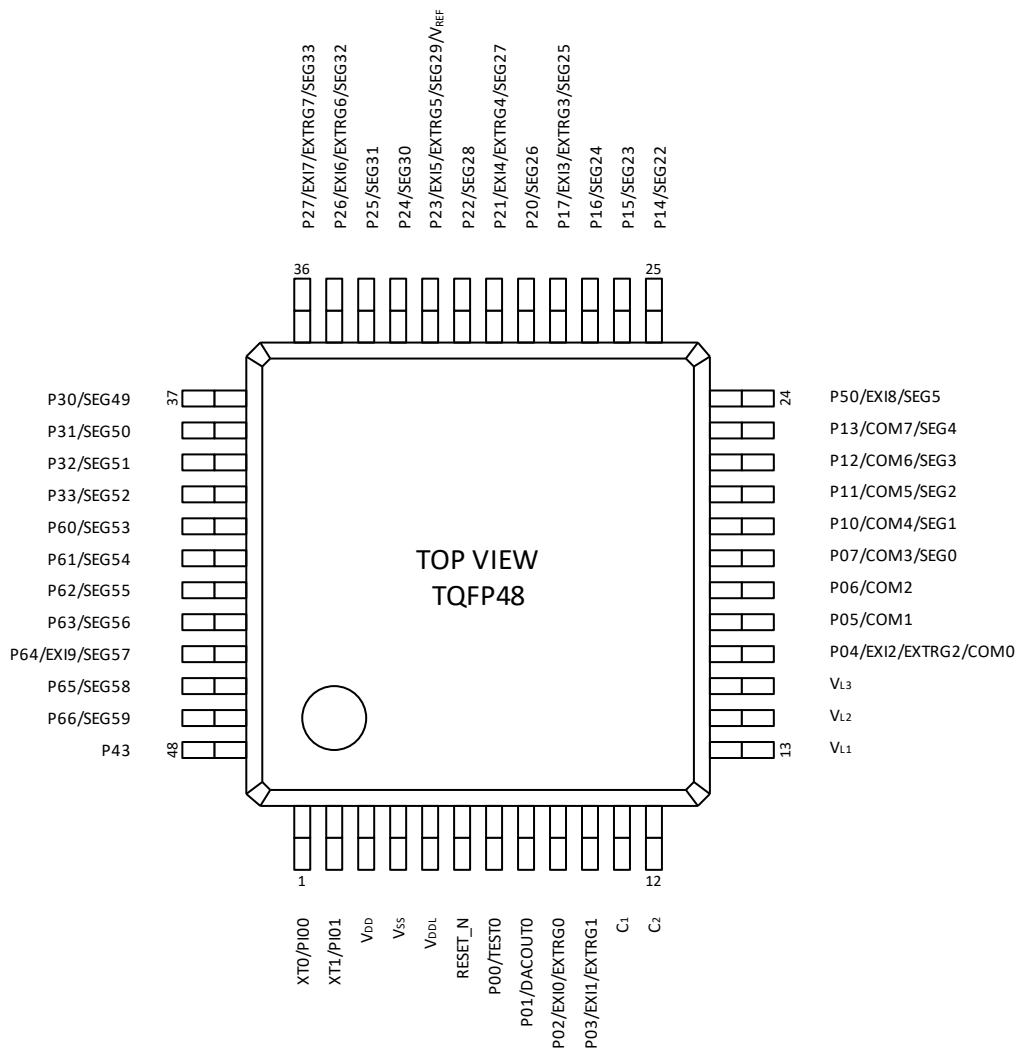


Figure 3 Pin Layout of 48pin TQFP Package

## Pin Layout of 52pin TQFP Package

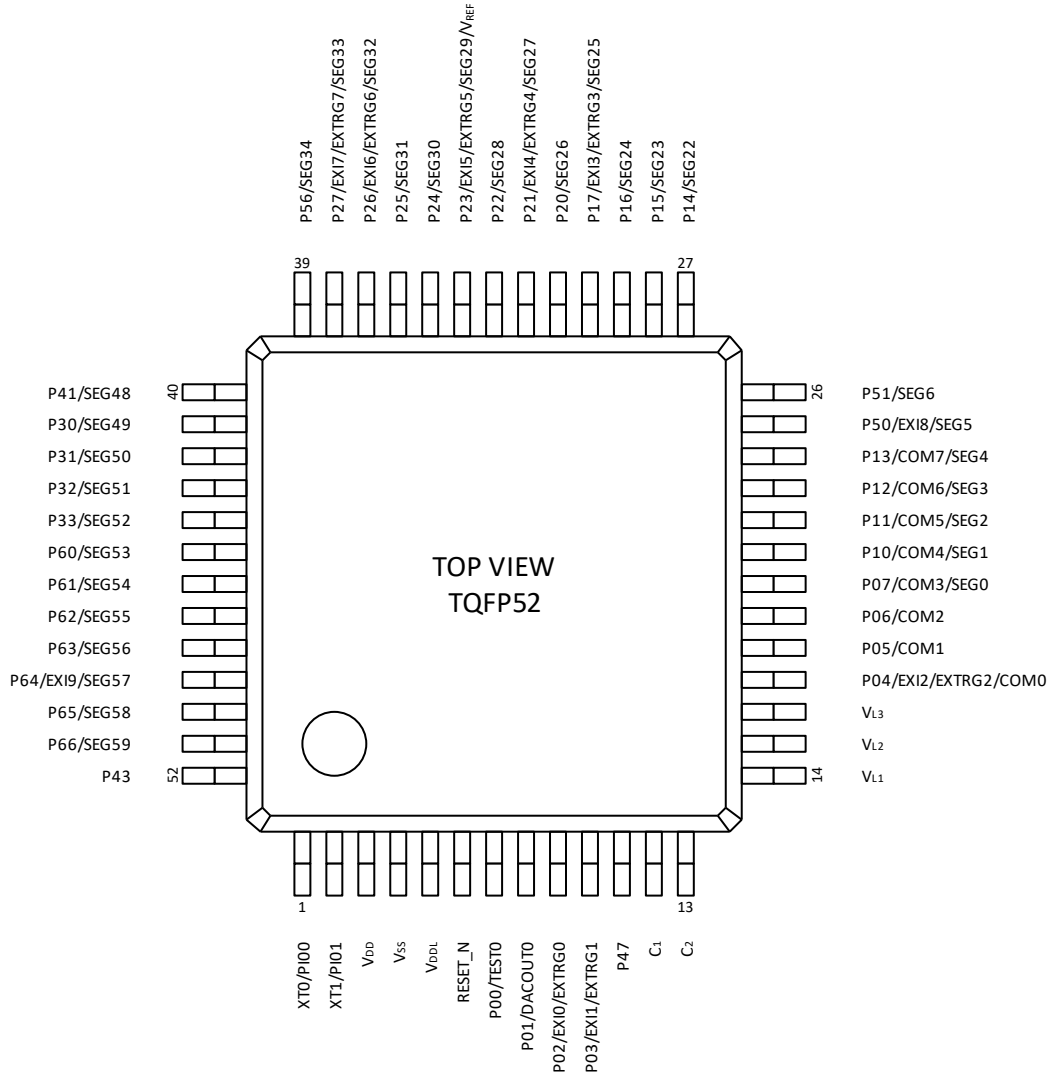


Figure 4 Pin Layout of 52pin TQFP52 Package

## Pin Layout of 64pin TQFP/QFP Package

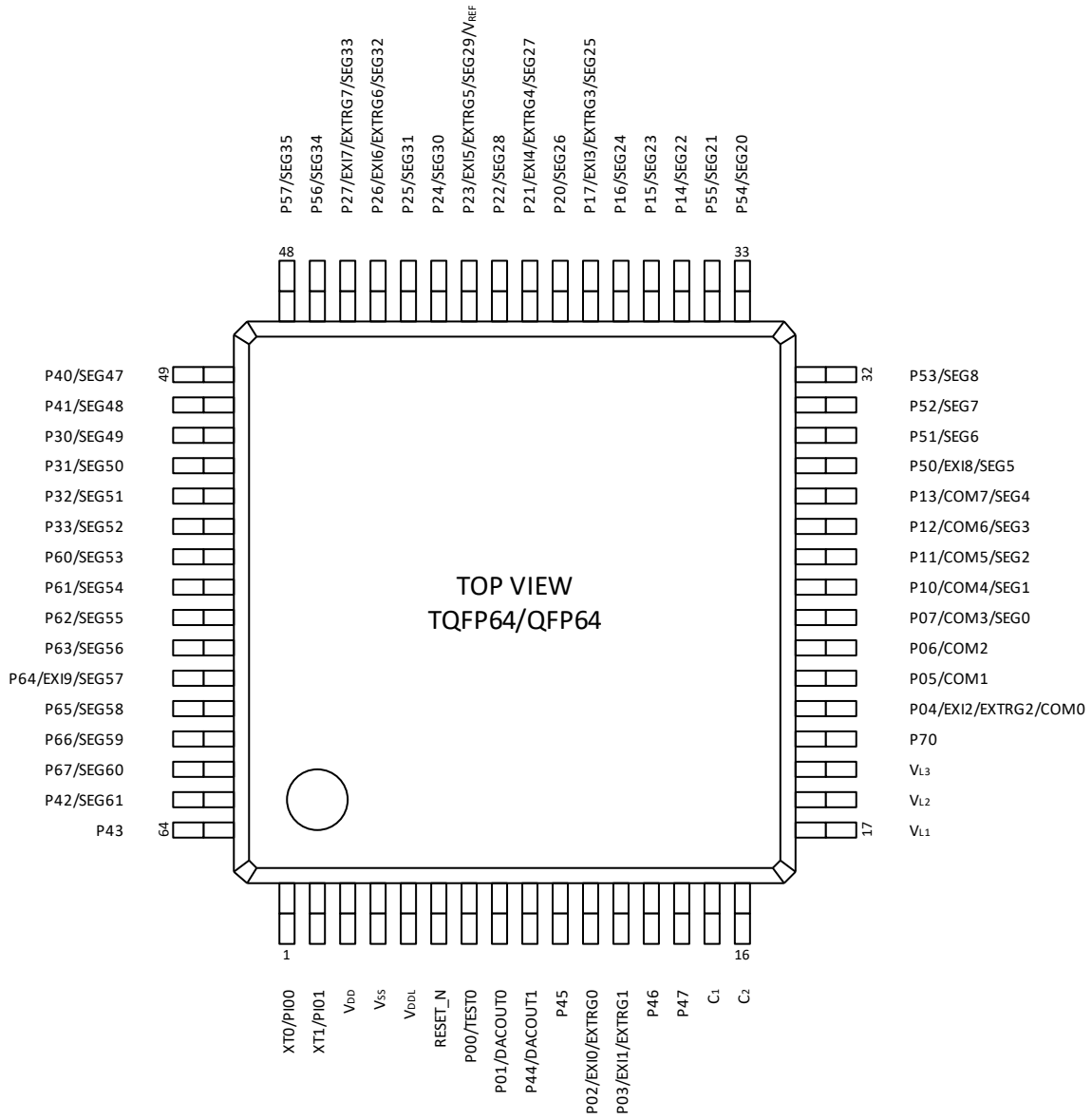


Figure 5 Pin Layout of 64pin TQFP/QFP Package

## Pin Layout of 80pin QFP Package

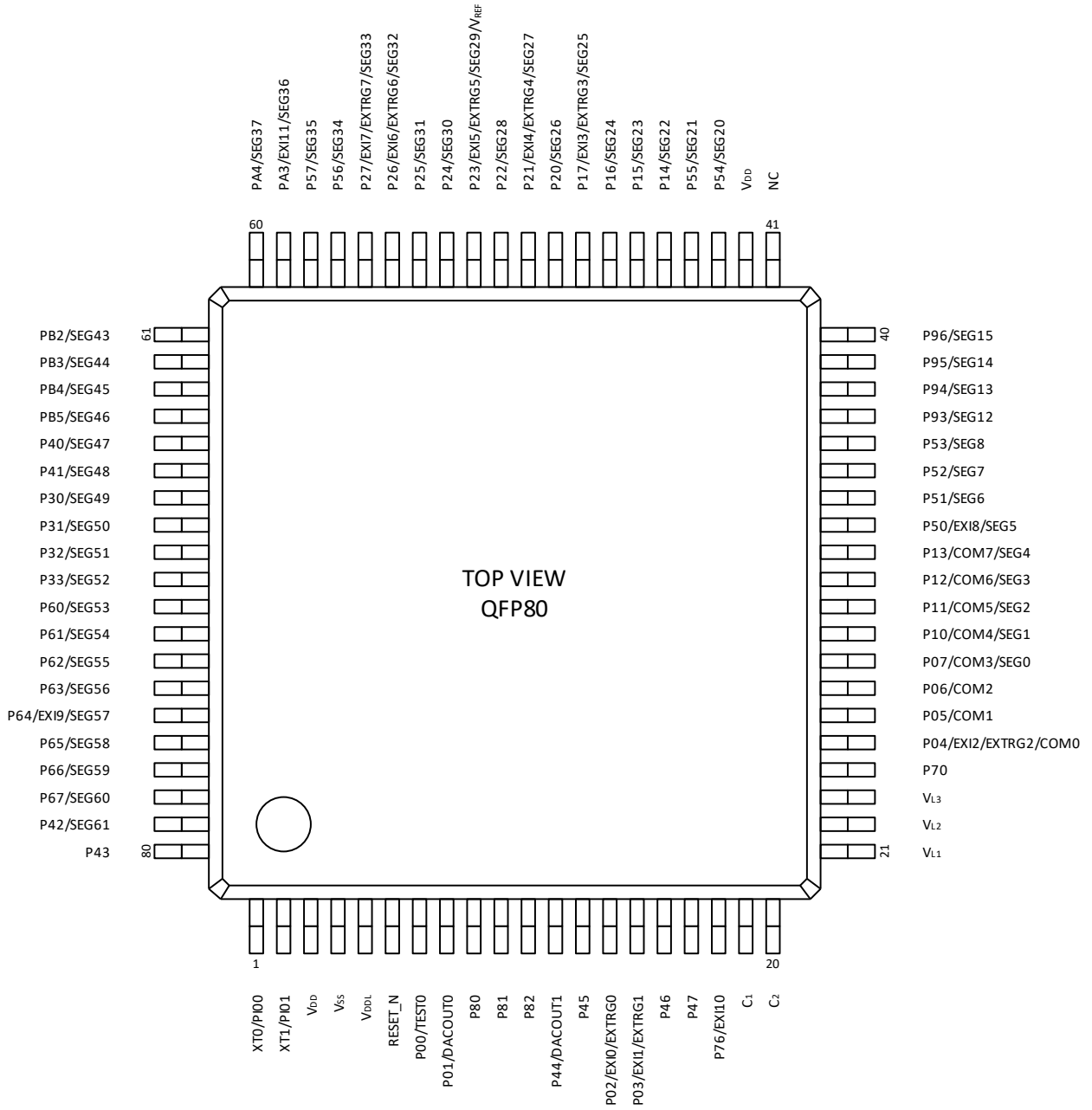


Figure 6 Pin Layout of 80pin QFP Package

Pin Layout of 100pin TQFP Package

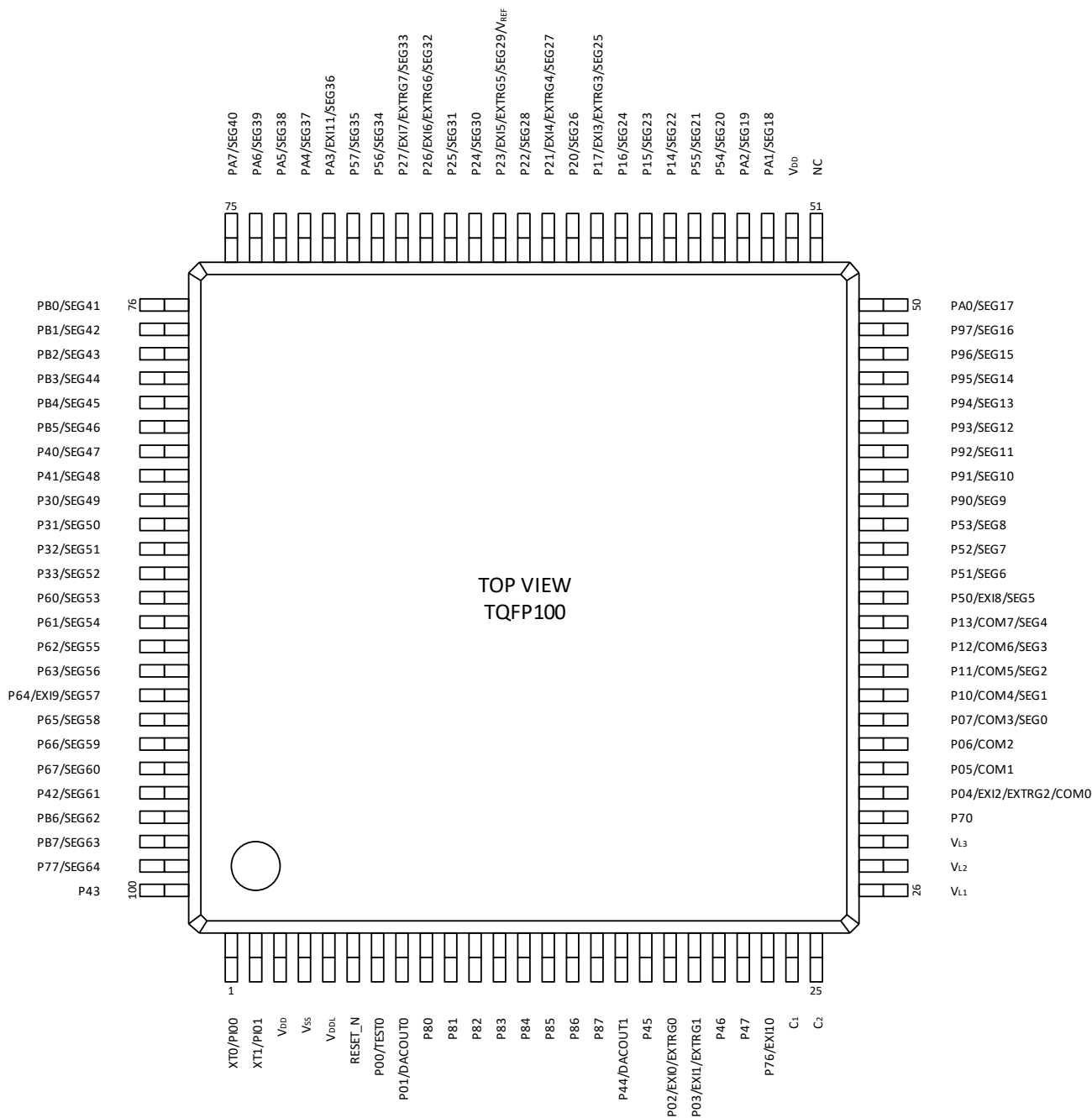


Figure 7 Pin Layout of 100pin TQFP Package

## Pin Layout of 100pin QFP Package

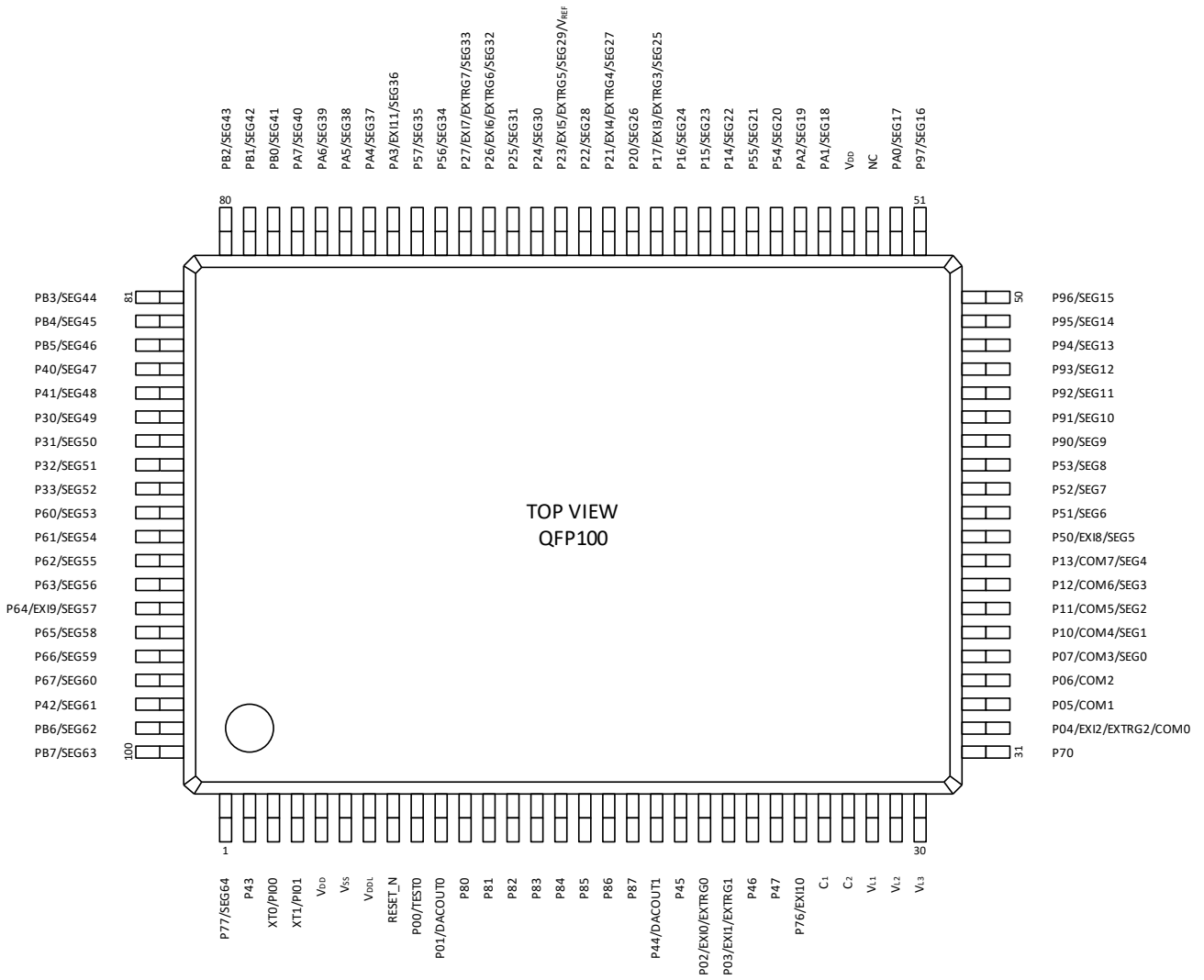


Figure 8 Pin Layout of 100pin QFP Package



## PIN LIST

Table 3 Pin List (1/3)

| Pin No. |        |        |        |         |        | Pin name<br>(1 <sup>st</sup> func) | 1 <sup>st</sup> func.<br>others             | 2 <sup>nd</sup> func.<br>SIU | 3 <sup>rd</sup> func.<br>SIU | 4 <sup>th</sup> func.<br>I2C | 5 <sup>th</sup> func.<br>Timer | 6 <sup>th</sup> func.<br>others | 7 <sup>th</sup> func.<br>others | 8 <sup>th</sup> func.<br>ADC |
|---------|--------|--------|--------|---------|--------|------------------------------------|---|------------------------------|------------------------------|------------------------------|--------------------------------|---------------------------------|---------------------------------|------------------------------|
| 48 Pin  | 52 Pin | 64 Pin | 80 pin | TOFP100 | QFP100 |                                    |   |                              |                              |                              |                                |                                 |                                 |                              |
| 3       | 3      | 3      | 3      | 3       | 5      | V <sub>DD</sub>                    | -   | -                            | -                            | -                            | -                              | -                               | -                               | -                            |
| -       | -      | -      | 42     | 52      | 54     | V <sub>DD</sub>                    | -   | -                            | -                            | -                            | -                              | -                               | -                               | -                            |
| 4       | 4      | 4      | 4      | 4       | 6      | V <sub>SS</sub>                    | -   | -                            | -                            | -                            | -                              | -                               | -                               | -                            |
| -       | -      | -      | 41     | 51      | 53     | NC                                 | -   | -                            | -                            | -                            | -                              | -                               | -                               | -                            |
| 5       | 5      | 5      | 5      | 5       | 7      | V <sub>DDL</sub>                   | -   | -                            | -                            | -                            | -                              | -                               | -                               | -                            |
| 1       | 1      | 1      | 1      | 1       | 3      | XT0                                | PI00  | -                            | -                            | -                            | -                              | -                               | -                               | -                            |
| 2       | 2      | 2      | 2      | 2       | 4      | XT1                                | PI01  | -                            | -                            | -                            | -                              | -                               | -                               | -                            |
| 6       | 6      | 6      | 6      | 6       | 8      | RESET_N                            | RESET_N                                     | -                            | -                            | -                            | -                              | -                               | -                               | -                            |
| 7       | 7      | 7      | 7      | 7       | 9      | P00                                | TEST0                                       | -                            | -                            | -                            | -                              | -                               | -                               | -                            |
| 8       | 8      | 8      | 8      | 8       | 10     | P01                                | DACOUT0                                     | -                            | -                            | -                            | FTM3P<br>*1                    | TBCOUT0                         | TBCOUT1                         | -                            |
| 9       | 9      | 11     | 14     | 19      | 21     | P02                                | EXI0<br>EXTRG0                              | SU0_RXD0<br>SU0_SIN          | -                            | I2CU0_SCL<br>*1              | FTM0P                          | OUTLSCLK                        | CMP0M                           | -                            |
| 10      | 10     | 12     | 15     | 20      | 22     | P03                                | EXI1<br>EXTRG1                              | SU0_TXD0<br>SU0_SOUT         | SU0_TXD1                     | I2CU0_SDA                    | FTM0N                          | OUTHCLK                         | CMP0P                           | AIN11                        |
| 16      | 17     | 21     | 25     | 30      | 32     | P04                                | EXI2<br>EXTRG2<br>COM0                      | SU0_SCLK                     | -                            | I2CU0_SCL                    | TMH0OUT                        | -                               | -                               | -                            |
| 17      | 18     | 22     | 26     | 31      | 33     | P05                                | COM1  | -                            | -                            | -                            | -                              | -                               | -                               | -                            |
| 18      | 19     | 23     | 27     | 32      | 34     | P06                                | COM2  | -                            | -                            | I2CM0_SDA                    | -                              | -                               | -                               | -                            |
| 19      | 20     | 24     | 28     | 33      | 35     | P07                                | COM3<br>SEG0                                | SU0_RXD1                     | SU0_RXD0                     | I2CM0_SCL                    | -                              | -                               | -                               | -                            |
| 20      | 21     | 25     | 29     | 34      | 36     | P10                                | COM4<br>SEG1                                | SU0_TXD1                     | -                            | -                            | -                              | -                               | -                               | -                            |
| 21      | 22     | 26     | 30     | 35      | 37     | P11                                | COM5<br>SEG2                                | SU0_SCLK                     | -                            | -                            | -                              | -                               | -                               | -                            |
| 22      | 23     | 27     | 31     | 36      | 38     | P12                                | COM6<br>SEG3                                | SU0_RXD0<br>SU0_SIN          | -                            | -                            | TMH4OUT                        | -                               | -                               | -                            |
| 23      | 24     | 28     | 32     | 37      | 39     | P13                                | COM7<br>SEG4                                | SU0_TXD0<br>SU0_SOUT         | SU0_TXD1                     | -                            | TMH1OUT                        | -                               | TMH3OUT                         | -                            |
| 25      | 27     | 35     | 45     | 57      | 59     | P14                                | SEG22                                       | -                            | -                            | -                            | -                              | -                               | -                               | -                            |
| 26      | 28     | 36     | 46     | 58      | 60     | P15                                | SEG23                                       | -                            | -                            | I2CU0_SDA                    | -                              | -                               | -                               | -                            |
| 27      | 29     | 37     | 47     | 59      | 61     | P16                                | SEG24                                       | SU1_SCLK                     | -                            | I2CU0_SCL                    | TMH5OUT                        | -                               | -                               | -                            |
| 28      | 30     | 38     | 48     | 60      | 62     | P17                                | EXI3<br>EXTRG3<br>SEG25                     | SU0_RXD1                     | SU0_RXD0                     | -                            | FTM1P                          | TBCOUT0                         | BZ0P                            | AIN0                         |
| 29      | 31     | 39     | 49     | 61      | 63     | P20                                | SEG26                                       | SU0_TXD1                     | -                            | -                            | FTM1N                          | TBCOUT1                         | BZ0N                            | AIN1                         |
| 30      | 32     | 40     | 50     | 62      | 64     | P21                                | EXI4<br>EXTRG4<br>SEG27                     | SU1_RXD0<br>SU1_SIN          | -                            | -                            | FTM2P                          | OUTLSCLK                        | -                               | AIN2                         |
| 31      | 33     | 41     | 51     | 63      | 65     | P22                                | SEG28                                       | SU1_TXD0<br>SU1_SOUT         | SU1_TXD1                     | I2CM0_SDA                    | FTM2N                          | OUTHCLK                         | -                               | AIN3                         |
| 32      | 34     | 42     | 52     | 64      | 66     | P23                                | EXI5<br>EXTRG5<br>SEG29<br>V <sub>REF</sub> | SU1_SCLK                     | -                            | I2CM0_SCL                    | TMH2OUT                        | -                               | -                               | V <sub>REF0</sub>            |
| 33      | 35     | 43     | 53     | 65      | 67     | P24                                | SEG30                                       | SU1_RXD0<br>SU1_SIN          | -                            | -                            | -                              | -                               | -                               | AIN4                         |
| 34      | 36     | 44     | 54     | 66      | 68     | P25                                | SEG31                                       | SU1_TXD0<br>SU1_SOUT         | SU1_TXD1                     | -                            | -                              | -                               | -                               | AIN5                         |
| 35      | 37     | 45     | 55     | 67      | 69     | P26                                | EXI6<br>EXTRG6<br>SEG32                     | SU1_RXD1                     | SU1_RXD0                     | I2CU0_SDA                    | FTM3P                          | TBCOUT0                         | BZ0P                            | AIN6                         |
| 36      | 38     | 46     | 56     | 68      | 70     | P27                                | EXI7<br>EXTRG7<br>SEG33                     | SU1_TXD1                     | -                            | I2CU0_SCL                    | FTM3N                          | TBCOUT1                         | BZ0N                            | AIN7                         |

\*1: No assignment to ML62Q1500 Series.

Table 3 Pin List (2/3)

| Pin No. |        |        |        |         |        | Pin name<br>(1 <sup>st</sup> func.) | 1 <sup>st</sup> func.<br>others | 2 <sup>nd</sup> func.<br>SIU<br>*3 | 3 <sup>rd</sup> func.<br>SIU<br>*3 | 4 <sup>th</sup> func.<br>I2C | 5 <sup>th</sup> func.<br>Timer<br>*3 | 6 <sup>th</sup> func.<br>others | 7 <sup>th</sup> func.<br>others | 8 <sup>th</sup> func.<br>ADC<br>*3 |
|---------|--------|--------|--------|---------|--------|-------------------------------------|---------------------------------|------------------------------------|------------------------------------|------------------------------|--------------------------------------|---------------------------------|---------------------------------|------------------------------------|
| 48 Pin  | 52 Pin | 64 Pin | 80 pin | TOFP100 | QFP100 |                                     |                                 |                                    |                                    |                              |                                      |                                 |                                 |                                    |
| 37      | 41     | 51     | 67     | 84      | 86     | P30                                 | SEG49                           | -                                  | -                                  | -                            | -                                    | -                               | -                               | -                                  |
| 38      | 42     | 52     | 68     | 85      | 87     | P31                                 | SEG50                           | -                                  | -                                  | -                            | -                                    | TBCOUT0                         | TBCOUT1                         | -                                  |
| 39      | 43     | 53     | 69     | 86      | 88     | P32                                 | SEG51                           | SU1_RXD1                           | SU1_RXD0                           | -                            | -                                    | -                               | -                               | -                                  |
| 40      | 44     | 54     | 70     | 87      | 89     | P33                                 | SEG52                           | SU1_TXD1                           | -                                  | -                            | TMH3OUT                              | -                               | -                               | -                                  |
| -       | -      | 49     | 65     | 82      | 84     | P40                                 | SEG47                           | SU5_TXD1                           | -                                  | -                            | -                                    | -                               | -                               | -                                  |
| -       | 40     | 50     | 66     | 83      | 85     | P41                                 | SEG48                           | -                                  | -                                  | -                            | -                                    | -                               | -                               | -                                  |
| -       | -      | 63     | 79     | 96      | 98     | P42                                 | SEG61                           | SU3_TXD1                           | -                                  | -                            | -                                    | -                               | -                               | -                                  |
| 48      | 52     | 64     | 80     | 100     | 2      | P43                                 | -                               | -                                  | -                                  | -                            | -                                    | TBCOUT0                         | TBCOUT1                         | AIN10                              |
| -       | -      | 9      | 12     | 17      | 19     | P44                                 | DACOUT1                         | SU4_RXD1                           | SU4_RXD0                           | -                            | FTM3N<br>*1                          | -                               | -                               | -                                  |
| -       | -      | 10     | 13     | 18      | 20     | P45                                 | -                               | SU4_TXD1                           | -                                  | -                            | -                                    | -                               | -                               | -                                  |
| -       | -      | 13     | 16     | 21      | 23     | P46                                 | -                               | -                                  | -                                  | I2CU0_SDA<br>*1              | FTM1N<br>*1                          | -                               | -                               | -                                  |
| -       | 11     | 14     | 17     | 22      | 24     | P47                                 | -                               | SU0_SCLK<br>*1                     | -                                  | I2CU0_SCL<br>*2              | FTM1P<br>*1                          | -                               | -                               | -                                  |
| 24      | 25     | 29     | 33     | 38      | 40     | P50                                 | EXI8<br>SEG5                    | -                                  | -                                  | -                            | -                                    | -                               | -                               | -                                  |
| -       | 26     | 30     | 34     | 39      | 41     | P51                                 | SEG6                            | -                                  | -                                  | -                            | -                                    | -                               | -                               | -                                  |
| -       | -      | 31     | 35     | 40      | 42     | P52                                 | SEG7                            | SU4_RXD1                           | SU4_RXD0                           | -                            | -                                    | -                               | -                               | -                                  |
| -       | -      | 32     | 36     | 41      | 43     | P53                                 | SEG8                            | SU4_TXD1                           | -                                  | -                            | -                                    | -                               | -                               | -                                  |
| -       | -      | 33     | 43     | 55      | 57     | P54                                 | SEG20                           | SU2_RXD1                           | SU2_RXD0                           | -                            | TMH7OUT                              | -                               | -                               | -                                  |
| -       | -      | 34     | 44     | 56      | 58     | P55                                 | SEG21                           | SU2_TXD1                           | -                                  | -                            | -                                    | -                               | -                               | -                                  |
| -       | 39     | 47     | 57     | 69      | 71     | P56                                 | SEG34                           | SU2_RXD0<br>SU2_SIN                | -                                  | -                            | -                                    | -                               | -                               | AIN12                              |
| -       | -      | 48     | 58     | 70      | 72     | P57                                 | SEG35                           | SU2_TXD0<br>SU2_SOUT               | SU2_TXD1                           | -                            | -                                    | -                               | -                               | AIN13                              |
| 41      | 45     | 55     | 71     | 88      | 90     | P60                                 | SEG53                           | -                                  | -                                  | I2CM1_SCL                    | -                                    | -                               | -                               | -                                  |
| 42      | 46     | 56     | 72     | 89      | 91     | P61                                 | SEG54                           | -                                  | -                                  | I2CM1_SDA                    | -                                    | -                               | -                               | -                                  |
| 43      | 47     | 57     | 73     | 90      | 92     | P62                                 | SEG55                           | -                                  | -                                  | -                            | FTM4N                                | -                               | CMP1P                           | -                                  |
| 44      | 48     | 58     | 74     | 91      | 93     | P63                                 | SEG56                           | -                                  | -                                  | -                            | FTM4P                                | -                               | CMP1M                           | -                                  |
| 45      | 49     | 59     | 75     | 92      | 94     | P64                                 | EXI9<br>SEG57                   | SU3_RXD0<br>SU3_SIN                | -                                  | -                            | FTM5P                                | -                               | -                               | -                                  |
| 46      | 50     | 60     | 76     | 93      | 95     | P65                                 | SEG58                           | SU3_TXD0<br>SU3_SOUT               | SU3_TXD1                           | -                            | FTM5N                                | -                               | -                               | AIN8                               |
| 47      | 51     | 61     | 77     | 94      | 96     | P66                                 | SEG59                           | SU3_SCLK                           | -                                  | -                            | -                                    | -                               | -                               | AIN9                               |
| -       | -      | 62     | 78     | 95      | 97     | P67                                 | SEG60                           | SU3_RXD1                           | SU3_RXD0                           | -                            | -                                    | -                               | -                               | -                                  |
| -       | -      | 20     | 24     | 29      | 31     | P70                                 | -                               | -                                  | -                                  | -                            | TMH6OUT                              | -                               | -                               | -                                  |
| 15      | 16     | 19     | 23     | 28      | 30     | V <sub>L3</sub>                     | -                               | -                                  | -                                  | -                            | -                                    | -                               | -                               | -                                  |
| 14      | 15     | 18     | 22     | 27      | 29     | V <sub>L2</sub>                     | -                               | -                                  | -                                  | -                            | -                                    | -                               | -                               | -                                  |
| 13      | 14     | 17     | 21     | 26      | 28     | V <sub>L1</sub>                     | -                               | -                                  | -                                  | -                            | -                                    | -                               | -                               | -                                  |
| 12      | 13     | 16     | 20     | 25      | 27     | C <sub>2</sub>                      | -                               | -                                  | -                                  | -                            | -                                    | -                               | -                               | -                                  |
| 11      | 12     | 15     | 19     | 24      | 26     | C <sub>1</sub>                      | -                               | -                                  | -                                  | -                            | -                                    | -                               | -                               | -                                  |
| -       | -      | -      | 18     | 23      | 25     | P76                                 | EXI10                           | -                                  | -                                  | -                            | -                                    | -                               | -                               | -                                  |
| -       | -      | -      | -      | 99      | 1      | P77                                 | SEG64                           | -                                  | -                                  | -                            | -                                    | -                               | -                               | -                                  |

\*1: No assignment to ML62Q1500 Series.

\*2: No assignment to ML62Q1500 Series and products of 52 PIN-package.

\*3: The pins of name with DACOUT1, SU2, SU3, SU4, SU5, TMH6, TMH7, AIN12 or AIN13 are not assigned to products of 48/52/64 PIN-packages.

Table 3 Pin List (3/3)

| Pin No. |        |        |        |         | Pin name<br>(1 <sup>st</sup> func) | 1 <sup>st</sup> func.<br>others | 2 <sup>nd</sup> func.<br>SIU | 3 <sup>rd</sup> func.<br>SIU | 4 <sup>th</sup> func.<br>I2C | 5 <sup>th</sup> func.<br>Timer | 6 <sup>th</sup> func.<br>others | 7 <sup>th</sup> func.<br>others | 8 <sup>th</sup> func.<br>ADC |
|---------|--------|--------|--------|---------|------------------------------------|---------------------------------|------------------------------|------------------------------|------------------------------|--------------------------------|---------------------------------|---------------------------------|------------------------------|
| 48 Pin  | 52 Pin | 64 Pin | 80 pin | TOFP100 |                                    |                                 |                              |                              |                              |                                |                                 |                                 |                              |
| -       | -      | -      | 9      | 9       | 11                                 | P80                             | -                            | SU4_RXD0<br>SU4_SIN          | -                            | -                              | -                               | -                               | -                            |
| -       | -      | -      | 10     | 10      | 12                                 | P81                             | -                            | SU4_TXD0<br>SU4_SOUT         | SU4_TXD1                     | -                              | -                               | -                               | -                            |
| -       | -      | -      | 11     | 11      | 13                                 | P82                             | -                            | SU4_SCLK                     | -                            | -                              | -                               | -                               | -                            |
| -       | -      | -      | -      | 12      | 14                                 | P83                             | -                            | SU5_RXD0                     | -                            | -                              | -                               | -                               | -                            |
| -       | -      | -      | -      | 13      | 15                                 | P84                             | -                            | SU5_TXD0                     | SU5_TXD1<br>*1               | -                              | -                               | -                               | -                            |
| -       | -      | -      | -      | 14      | 16                                 | P85                             | -                            | -                            | -                            | -                              | -                               | -                               | -                            |
| -       | -      | -      | -      | 15      | 17                                 | P86                             | -                            | -                            | -                            | FTM7P<br>*1                    | -                               | -                               | -                            |
| -       | -      | -      | -      | 16      | 18                                 | P87                             | -                            | -                            | -                            | FTM7N<br>*1                    | -                               | -                               | -                            |
| -       | -      | -      | -      | 42      | 44                                 | P90                             | SEG9                         | -                            | -                            | -                              | -                               | -                               | -                            |
| -       | -      | -      | -      | 43      | 45                                 | P91                             | SEG10                        | -                            | -                            | -                              | -                               | -                               | -                            |
| -       | -      | -      | -      | 44      | 46                                 | P92                             | SEG11                        | -                            | -                            | -                              | -                               | -                               | -                            |
| -       | -      | -      | 37     | 45      | 47                                 | P93                             | SEG12                        | SU4_RXD0<br>SU4_SIN          | -                            | -                              | FTM6P                           | -                               | -                            |
| -       | -      | -      | 38     | 46      | 48                                 | P94                             | SEG13                        | SU4_TXD0<br>SU4_SOUT         | SU4_TXD1                     | -                              | FTM6N                           | -                               | -                            |
| -       | -      | -      | 39     | 47      | 49                                 | P95                             | SEG14                        | SU4_SCLK                     | -                            | -                              | -                               | -                               | -                            |
| -       | -      | -      | 40     | 48      | 50                                 | P96                             | SEG15                        | -                            | -                            | -                              | -                               | -                               | -                            |
| -       | -      | -      | -      | 49      | 51                                 | P97                             | SEG16                        | -                            | -                            | -                              | -                               | -                               | -                            |
| -       | -      | -      | -      | 50      | 52                                 | PA0                             | SEG17                        | -                            | -                            | -                              | -                               | -                               | -                            |
| -       | -      | -      | -      | 53      | 55                                 | PA1                             | SEG18                        | -                            | -                            | -                              | -                               | -                               | -                            |
| -       | -      | -      | -      | 54      | 56                                 | PA2                             | SEG19                        | -                            | -                            | -                              | -                               | -                               | -                            |
| -       | -      | -      | 59     | 71      | 73                                 | PA3                             | EXI11<br>SEG36               | SU2_SCLK                     | -                            | -                              | FTM7P                           | -                               | AIN14                        |
| -       | -      | -      | 60     | 72      | 74                                 | PA4                             | SEG37                        | -                            | -                            | -                              | FTM7N                           | -                               | AIN15                        |
| -       | -      | -      | -      | 73      | 75                                 | PA5                             | SEG38                        | -                            | -                            | -                              | -                               | -                               | -                            |
| -       | -      | -      | -      | 74      | 76                                 | PA6                             | SEG39                        | -                            | -                            | -                              | -                               | -                               | -                            |
| -       | -      | -      | -      | 75      | 77                                 | PA7                             | SEG40                        | -                            | -                            | -                              | -                               | -                               | -                            |
| -       | -      | -      | -      | 76      | 78                                 | PB0                             | SEG41                        | -                            | -                            | -                              | -                               | -                               | -                            |
| -       | -      | -      | -      | 77      | 79                                 | PB1                             | SEG42                        | -                            | -                            | -                              | -                               | -                               | -                            |
| -       | -      | -      | 61     | 78      | 80                                 | PB2                             | SEG43                        | SU5_RXD0<br>SU5_SIN          | -                            | -                              | -                               | -                               | -                            |
| -       | -      | -      | 62     | 79      | 81                                 | PB3                             | SEG44                        | SU5_TXD0<br>SU5_SOUT         | SU5_TXD1                     | -                              | -                               | -                               | -                            |
| -       | -      | -      | 63     | 80      | 82                                 | PB4                             | SEG45                        | SU5_SCLK                     | -                            | -                              | -                               | -                               | -                            |
| -       | -      | -      | 64     | 81      | 83                                 | PB5                             | SEG46                        | SU5_RXD1                     | SU5_RXD0                     | -                              | -                               | -                               | -                            |
| -       | -      | -      | -      | 97      | 99                                 | PB6                             | SEG62                        | -                            | -                            | -                              | -                               | -                               | -                            |
| -       | -      | -      | -      | 98      | 100                                | PB7                             | SEG63                        | -                            | -                            | -                              | -                               | -                               | -                            |

\*1: No assignment to ML62Q1500 Series.

## PIN DESCRIPTION

Table 4 Pin Description (1/7)

| Function                 | Signal name      | Pin name         | I/O | Description  | Logic    |
|--------------------------|------------------|------------------|-----|--|----------|
| Power                    | —                | V <sub>SS</sub>  | —   | Negative power supply pin (-)  | —        |
|                          | —                | V <sub>DD</sub>  | —   | Positive power supply pin (+). Connect a capacitor C <sub>V</sub> between this pin and V <sub>SS</sub> .   | —        |
|                          | —                | V <sub>DDL</sub> | —   | Power supply pin for internal logic (internal regulator's output). Connect a capacitor C <sub>L</sub> (1μF) between this pin and V <sub>SS</sub> .   | —        |
| Test                     | TEST0            | P00              | I/O | Input for testing, is used as on-chip debug interface and ISP function.<br>P00 is initialized as pull-up input mode by the system reset.   | —        |
| Un used                  | NC               | NC               | —   | Connect to V <sub>SS</sub> .   | —        |
| System                   | V <sub>REF</sub> | P23              | —   | Reference voltage output   | —        |
|                          | RESET_N          | RESET_N          | I   | Reset input.<br>Applying "L" level shifts the MCU in system reset mode.<br>Applying "H" level shifts the CPU in program running mode.<br>Used for on-chip debug interface and ISP function.<br>No pull-up resistor is installed.                             | Negative |
|                          | XT0              | XT0              | I   | Low speed crystal oscillation pins<br>Connect 32.768kHz crystal resonator and Connect capacitors between the pin and V <sub>SS</sub> .   | —        |
|                          | XT1              | XT1              | O   |  | —        |
|                          | OUTLSCLK         | P02<br>P21       | O   | Low-speed clock output.  | —        |
|                          | OUTHCLK          | P03<br>P22       | O   | High-speed clock output.   | —        |
| General input port (GPI) | PI00, PI01       | XT0, XT1         | I   | General purpose input.<br>Not available as general inputs when using the crystal resonator.  | Positive |
| General port (GPIO)      | P00              | P00              | I/O | General purpose I/O port<br>- High-impedance<br>- Input with Pull-UP (initial value)<br>- Input without Pull-UP<br>- CMOS output<br>- N-channel open drain output<br>Not available to use as I/O pin when using for on-chip debug interface or ISP function. | Positive |
|                          | P01 – P07        | P01 – P07        | I/O | General purpose I/O<br>- High-impedance (initial value)<br>- Input with Pull-UP<br>- Input without Pull-UP<br>- CMOS output<br>- N-channel open drain output   | Positive |
|                          | P10 – P17        | P10 – P17        |     |  |          |
|                          | P20 – P27        | P20 – P27        |     |  |          |
|                          | P30 – P33        | P30 – P33        |     |  |          |
|                          | P40 – P47        | P40 – P47        |     |  |          |
|                          | P50 – P57        | P50 – P57        |     |  |          |
|                          | P60 – P67        | P60 – P67        |     |  |          |
|                          | P70, P76, P77    | P70, P76, P77    |     |  |          |
|                          | P80 – P87        | P80 – P87        |     |  |          |
|                          | P90 – P97        | P90 – P97        |     |  |          |
|                          | PA0 – PA7        | PA0 – PA7        |     |  |          |
| PB0 – PB7                | PB0 – PB7        |                  |     |  |          |

Table 4 Pin Description (2/7)

| Function | Signal name | Pin name | I/O   | Description  | Logic    |
|----------|-------------|----------|---|--|----------|
| UART     | SU0_TXD0    | P03      | O   | Serial communication unit0 UART0 data output   | Positive |
|          |             | P13      |   |  |          |
|          | SU0_RXD0    | P02      | I   | Serial communication unit0 Full-duplex data input<br>Serial communication unit0 UART0 data input   | Positive |
|          |             | P07      |   |  |          |
|          |             | P12      |   |  |          |
|          |             | P17      |   |  |          |
|          | SU0_TXD1    | P03      | O   | Serial communication unit0 Full-duplex data output<br>Serial communication unit0 UART1 data output | Positive |
|          |             | P10      |   |  |          |
|          |             | P13      |   |  |          |
|          |             | P20      |   |  |          |
|          | SU0_RXD1    | P07      | I   | Serial communication unit0 UART1 data input  | Positive |
|          |             | P17      |   |  |          |
|          | SU1_TXD0    | P22      | O   | Serial communication unit1 UART0 data output   | Positive |
|          |             | P25      |   |  |          |
|          | SU1_RXD0    | P21      | I   | Serial communication unit1 Full-duplex data input<br>Serial communication unit1 UART0 data input   | Positive |
|          |             | P24      |   |  |          |
|          |             | P26      |   |  |          |
|          |             | P32      |   |  |          |
|          | SU1_TXD1    | P22      | O   | Serial communication unit1 Full-duplex data output<br>Serial communication unit1 UART1 data output | Positive |
|          |             | P25      |   |  |          |
|          |             | P27      |   |  |          |
|          |             | P33      |   |  |          |
|          | SU1_RXD1    | P26      | I   | Serial communication unit1 UART1 data input  | Positive |
|          |             | P32      |   |  |          |
|          | SU2_TXD0    | P57      | O   | Serial communication unit2 UART0 data output   | Positive |
|          | SU2_RXD0    | P54      | I   | Serial communication unit2 Full-duplex data input<br>Serial communication unit2 UART0 data input   | Positive |
|          |             | P56      |   |  |          |
|          | SU2_TXD1    | P55      | O   | Serial communication unit2 Full-duplex data output<br>Serial communication unit2 UART1 data output | Positive |
|          |             | P57      |   |  |          |
|          | SU2_RXD1    | P54      | I   | Serial communication unit2 UART1 data input  | Positive |
| SU3_TXD0 | P65         | O        | Serial communication unit3 UART0 data output  | Positive   |          |
| SU3_RXD0 | P64         | I        | Serial communication unit3 Full-duplex data input<br>Serial communication unit3 UART0 data input    | Positive   |          |
|          | P67         |          |   |  |          |
| SU3_TXD1 | P42         | O        | Serial communication unit3 Full-duplex data output<br>Serial communication unit3 UART1 data output  | Positive   |          |
|          | P65         |          |   |  |          |
| SU3_RXD1 | P67         | I        | Serial communication unit3 UART1 data input   | Positive   |          |
| SU4_TXD0 | P81         | O        | Serial communication unit4 UART0 data output  | Positive   |          |
|          | P94         |          |   |  |          |
| SU4_RXD0 | P44         | I        | Serial communication unit4 Full-duplex data input<br>Serial communication unit4 UART0 data input    | Positive   |          |
|          | P52         |          |   |  |          |
|          | P80         |          |   |  |          |
|          | P93         |          |   |  |          |
| SU4_TXD1 | P45         | O        | Serial communication unit4 Full-duplex data output<br>Serial communication unit4 UART1 data output. | Positive   |          |
|          | P53         |          |   |  |          |
|          | P81         |          |   |  |          |
|          | P94         |          |   |  |          |
| SU4_RXD1 | P44         | I        | Serial communication unit4 UART1 data input   | Positive   |          |
|          | P52         |          |   |  |          |
| SU5_TXD0 | P84         | O        | Serial communication unit5 UART0 data output  | Positive   |          |
|          | PB3         |          |   |  |          |
| SU5_RXD0 | P83         | I        | Serial communication unit5 Full-duplex data input<br>Serial communication unit5 UART0 data input    | Positive   |          |
|          | PB2         |          |   |  |          |
|          | PB5         |          |   |  |          |
| SU5_TXD1 | P40         | O        | Serial communication unit5 Full-duplex data output<br>Serial communication unit5 UART1 data output. | Positive   |          |
|          | P84         |          |   |  |          |
|          | PB3         |          |   |  |          |
| SU5_RXD1 | PB5         | I        | Serial communication unit5 UART1 data input   | Positive   |          |

Table 4 Pin Description (3/7)

| Function                | Signal name | Pin name | I/O  | Description   | Logic    |
|-------------------------|-------------|----------|--|---|----------|
| Synchronous Serial Port | SU0_SIN     | P02      | I  | Serial communication unit0 Synchronous serial data input  | Positive |
|                         |             | P12      |  |   |          |
|                         | SU0_SCLK    | P04      | I/O  | Serial communication unit0 Synchronous serial clock I/O   | Positive |
|                         |             | P11      |  |   |          |
|                         |             | P47      |  |   |          |
|                         | SU0_SOUT    | P03      | O  | Serial communication unit0 Synchronous serial data output   | Positive |
|                         |             | P13      |  |   |          |
|                         | SU1_SIN     | P21      | I  | Serial communication unit1 Synchronous serial data input  | Positive |
|                         |             | P24      |  |   |          |
|                         | SU1_SCLK    | P16      | I/O  | Serial communication unit1 Synchronous serial clock I/O   | Positive |
|                         |             | P23      |  |   |          |
|                         | SU1_SOUT    | P22      | O  | Serial communication unit1 Synchronous serial data output   | Positive |
|                         |             | P25      |  |   |          |
|                         | SU2_SIN     | P56      | I  | Serial communication unit2 Synchronous serial data  | Positive |
|                         | SU2_SCLK    | PA3      | I/O  | Serial communication unit2 Synchronous serial clock I/O   | Positive |
|                         | SU2_SOUT    | P57      | O  | Serial communication unit2 Synchronous serial data output   | Positive |
|                         | SU3_SIN     | P64      | I  | Serial communication unit3 Synchronous serial data input  | Positive |
|                         | SU3_SCLK    | P66      | I/O  | Serial communication unit3 Synchronous serial clock I/O   | Positive |
|                         | SU3_SOUT    | P65      | O  | Serial communication unit3 Synchronous serial data output   | Positive |
| SU4_SIN                 | P80         | I        | Serial communication unit4 Synchronous serial data input   | Positive  |          |
|                         | P93         |          |  |   |          |
| SU4_SCLK                | P82         | I/O      | Serial communication unit4 Synchronous serial clock I/O  | Positive  |          |
|                         | P95         |          |  |   |          |
| SU4_SOUT                | P81         | O        | Serial communication unit4 Synchronous serial data output  | Positive  |          |
|                         | P94         |          |  |   |          |
| SU5_SIN                 | PB2         | I        | Serial communication unit5 Synchronous serial data input   | Positive  |          |
| SU5_SCLK                | PB4         | I/O      | Serial communication unit5 Synchronous serial clock I/O  | Positive  |          |
| SU5_SOUT                | PB3         | O        | Serial communication unit5 Synchronous serial data output  | Positive  |          |
| I <sup>2</sup> C Bus    | I2CU0_SDA   | P03      | I/O  | I <sup>2</sup> C Unit0 (Master and Salve) Data I/O<br>N-channel open drain<br>Connect a pull-up resistor externally         | Positive |
|                         |             | P15      |  |   |          |
|                         |             | P26      |  |   |          |
|                         |             | P46      |  |   |          |
|                         | I2CU0_SCL   | P02      | I/O  | I <sup>2</sup> C Unit0 (Master and Salve) Clock I/O<br>N-channel open drain output<br>Connect a pull-up resistor externally | Positive |
|                         |             | P04      |  |   |          |
|                         |             | P16      |  |   |          |
|                         |             | P27      |  |   |          |
|                         | I2CM0_SDA   | P06      | I/O  | I <sup>2</sup> C Master0 Data I/O pin<br>N-channel open drain output<br>Connect a pull-up resistor externally               | Positive |
|                         |             | P22      |  |   |          |
|                         | I2CM0_SCL   | P07      | I/O  | I <sup>2</sup> C Master0 Clock I/O<br>N-channel open drain output<br>Connect a pull-up resistor externally                  | Positive |
|                         |             | P23      |  |   |          |
| I2CM1_SDA               | P61         | I/O      | I <sup>2</sup> C Master1 Data I/O<br>N-channel open drain output<br>Connect a pull-up resistor externally  | Positive  |          |
| I2CM1_SCL               | P60         | I/O      | I <sup>2</sup> C Master1 Clock I/O<br>N-channel open drain output<br>Connect a pull-up resistor externally | Positive  |          |

Table 4 Pin Description (4/7)

| Function                           | Signal name | Pin name | I/O                                  | Description                                    | Logic    |
|------------------------------------|-------------|----------|--------------------------------------|--|----------|
| Functional Timer (FTM)             | FTM0P       | P02      | O                                    | Functional Timer0 P output                     | Positive |
|                                    | FTM0N       | P03      | O                                    | Functional Timer0 N output                     | Negative |
|                                    | FTM1P       | P17      | O                                    | Functional Timer1 P output                     | Positive |
|                                    |             | P47      |                                      |  |          |
|                                    | FTM1N       | P20      | O                                    | Functional Timer1 N output                     | Negative |
|                                    |             | P46      |                                      |  |          |
|                                    | FTM2P       | P21      | O                                    | Functional Timer2 P output                     | Positive |
|                                    | FTM2N       | P22      | O                                    | Functional Timer2 N output                     | Negative |
|                                    | FTM3P       | P01      | O                                    | Functional Timer3 P output                     | Positive |
|                                    |             | P26      |                                      |  |          |
|                                    | FTM3N       | P27      | O                                    | Functional Timer3 N output                     | Negative |
|                                    |             | P44      |                                      |  |          |
|                                    | FTM4P       | P63      | O                                    | Functional Timer4 P output                     | Positive |
|                                    | FTM4N       | P62      | O                                    | Functional Timer4 N output                     | Negative |
|                                    | FTM5P       | P64      | O                                    | Functional Timer5 P output                     | Positive |
|                                    | FTM5N       | P65      | O                                    | Functional Timer5 N output                     | Negative |
|                                    | FTM6P       | P93      | O                                    | Functional Timer6 P output                     | Positive |
|                                    | FTM6N       | P94      | O                                    | Functional Timer6 N output                     | Negative |
|                                    | FTM7P       | P86      | O                                    | Functional Timer7 P output                     | Positive |
|                                    |             | PA3      |                                      |  |          |
| FTM7N                              | P87         | O        | Functional Timer7 N output           | Negative                                       |          |
|                                    | PA4         |          |                                      |  |          |
| EXTRG0                             | P02         | I        | Functional Timer event trigger input | —  |          |
| EXTRG1                             | P03         | I        | Functional Timer event trigger input | —  |          |
| EXTRG2                             | P04         | I        | Functional Timer event trigger input | —  |          |
| EXTRG3                             | P17         | I        | Functional Timer event trigger input | —  |          |
| EXTRG4                             | P21         | I        | Functional Timer event trigger input | —  |          |
| EXTRG5                             | P23         | I        | Functional Timer event trigger input | —  |          |
| EXTRG6                             | P26         | I        | Functional Timer event trigger input | —  |          |
| EXTRG7                             | P27         | I        | Functional Timer event trigger input | —  |          |
| 16-bit Timer                       | TMH0OUT     | P04      | O                                    | 16bit General Timer 0 output                   | Positive |
|                                    | TMH1OUT     | P13      | O                                    | 16bit General Timer 1 output                   | Positive |
|                                    | TMH2OUT     | P23      | O                                    | 16bit General Timer 2 output                   | Positive |
|                                    |             | P13      |                                      |  |          |
|                                    | TMH3OUT     | P33      | O                                    | 16bit General Timer 3 output                   | Positive |
|                                    |             | P12      |                                      |  |          |
|                                    | TMH4OUT     | P12      | O                                    | 16bit General Timer 4 output                   | Positive |
|                                    | TMH5OUT     | P16      | O                                    | 16bit General Timer 5 output                   | Positive |
|                                    | TMH6OUT     | P70      | O                                    | 16bit General Timer 6 output                   | Positive |
| TMH7OUT                            | P54         | O        | 16bit General Timer 7 output         | Positive                                       |          |
| EXTRG0                             | P02         | I        | 16bit Timer trigger input            | —  |          |
| EXTRG1                             | P03         | I        | 16bit Timer trigger input            | —  |          |
| Low-speed Time Base Counter (LTBC) | TBCOUT0     | P01      | O                                    | The virtual frequency adjustment signal output | Positive |
|                                    |             | P17      |                                      |  |          |
|                                    |             | P26      |                                      |  |          |
|                                    |             | P31      |                                      |  |          |
|                                    | TBCOUT1     | P43      | O                                    | Low-speed Time Base Counter 1Hz/2Hz output     | Positive |
|                                    |             | P01      |                                      |  |          |
|                                    |             | P20      |                                      |  |          |
|                                    |             | P27      |                                      |  |          |
| BZ0P                               | P17         | O        | Buzzer output (positive phase)       | Positive                                       |          |
|                                    | P26         |          |                                      |  |          |
| BZ0N                               | P20         | O        | Buzzer output (negative phase)       | Negative                                       |          |
|                                    | P27         |          |                                      |  |          |

Table 4 Pin Description (5/7)

| Function   | Signal name      | Pin name | I/O                     | Description                             | Logic |
|--|------------------|----------|-------------------------|---|-------|
| External Interrupt                                   | EXI0             | P02      | I                       | External Interrupt 0 Input              | —     |
|  | EXI1             | P03      | I                       | External Interrupt 1 Input              | —     |
|  | EXI2             | P04      | I                       | External Interrupt 2 Input              | —     |
|  | EXI3             | P17      | I                       | External Interrupt 3 Input              | —     |
|  | EXI4             | P21      | I                       | External Interrupt 4 Input              | —     |
|  | EXI5             | P23      | I                       | External Interrupt 5 Input              | —     |
|  | EXI6             | P26      | I                       | External Interrupt 6 Input              | —     |
|  | EXI7             | P27      | I                       | External Interrupt 7 Input              | —     |
|  | EXI8             | P50      | I                       | External Interrupt 8 Input              | —     |
|  | EXI9             | P64      | I                       | External Interrupt 9 Input              | —     |
|  | EXI10            | P76      | I                       | External Interrupt 10 Input             | —     |
| Successive approximation type A/D converter (SA-ADC) | V <sub>REF</sub> | P23      | —                       | SA-ADC external reference voltage input | —     |
|  | AIN0             | P17      | I                       | SA-ADC channel 0 input                  | —     |
|  | AIN1             | P20      | I                       | SA-ADC channel 1 input                  | —     |
|  | AIN2             | P21      | I                       | SA-ADC channel 2 input                  | —     |
|  | AIN3             | P22      | I                       | SA-ADC channel 3 input                  | —     |
|  | AIN4             | P24      | I                       | SA-ADC channel 4 input                  | —     |
|  | AIN5             | P25      | I                       | SA-ADC channel 5 input                  | —     |
|  | AIN6             | P26      | I                       | SA-ADC channel 6 input                  | —     |
|  | AIN7             | P27      | I                       | SA-ADC channel 7 input                  | —     |
|  | AIN8             | P65      | I                       | SA-ADC channel 8 input                  | —     |
|  | AIN9             | P66      | I                       | SA-ADC channel 9 input                  | —     |
|  | AIN10            | P43      | I                       | SA-ADC channel 10 input                 | —     |
|  | AIN11            | P03      | I                       | SA-ADC channel 11 input                 | —     |
|  | AIN12            | P56      | I                       | SA-ADC channel 12 input                 | —     |
|  | AIN13            | P57      | I                       | SA-ADC channel 13 input                 | —     |
|  | AIN14            | PA3      | I                       | SA-ADC channel 14 input                 | —     |
| AIN15  | PA4              | I        | SA-ADC channel 15 input | —                                       |       |
| Analog comparator                                    | CMP0P            | P03      | I                       | Comparator input 0 (noninverting input) | —     |
|  | CMP0M            | P02      | I                       | Comparator input 0 (inverting input)    | —     |
|  | CMP1P            | P62      | I                       | Comparator input 1 (noninverting input) | —     |
|  | CMP1M            | P63      | I                       | Comparator input 1 (inverting input)    | —     |
| D/A converter  | DACOUT0          | P01      | O                       | D/A converter 0 output                  | —     |
|  | DACOUT1          | P44      | O                       | D/A converter 1 output                  | —     |



Table 4 Pin Description (6/7)

| Function   | Signal name | Pin name | I/O            | Description                  | Logic |
|------------|-------------|----------|----------------|------------------------------|-------|
| LCD driver | COM0        | P04      | —              | Common output                | —     |
|            | COM1        | P05      | —              | Common output                | —     |
|            | COM2        | P06      | —              | Common output                | —     |
|            | COM3/SEG0   | P07      | —              | Common/Segment output shared | —     |
|            | COM4/SEG1   | P10      | —              | Common/Segment output shared | —     |
|            | COM5/SEG2   | P11      | —              | Common/Segment output shared | —     |
|            | COM6/SEG3   | P12      | —              | Common/Segment output shared | —     |
|            | COM7/SEG4   | P13      | —              | Common/Segment output shared | —     |
|            | SEG5        | P50      | —              | Segment output               | —     |
|            | SEG6        | P51      | —              | Segment output               | —     |
|            | SEG7        | P52      | —              | Segment output               | —     |
|            | SEG8        | P53      | —              | Segment output               | —     |
|            | SEG9        | P90      | —              | Segment output               | —     |
|            | SEG10       | P91      | —              | Segment output               | —     |
|            | SEG11       | P92      | —              | Segment output               | —     |
|            | SEG12       | P93      | —              | Segment output               | —     |
|            | SEG13       | P94      | —              | Segment output               | —     |
|            | SEG14       | P95      | —              | Segment output               | —     |
|            | SEG15       | P96      | —              | Segment output               | —     |
|            | SEG16       | P97      | —              | Segment output               | —     |
|            | SEG17       | PA0      | —              | Segment output               | —     |
|            | SEG18       | PA1      | —              | Segment output               | —     |
|            | SEG19       | PA2      | —              | Segment output               | —     |
|            | SEG20       | P54      | —              | Segment output               | —     |
|            | SEG21       | P55      | —              | Segment output               | —     |
|            | SEG22       | P14      | —              | Segment output               | —     |
|            | SEG23       | P15      | —              | Segment output               | —     |
|            | SEG24       | P16      | —              | Segment output               | —     |
|            | SEG25       | P17      | —              | Segment output               | —     |
|            | SEG26       | P20      | —              | Segment output               | —     |
|            | SEG27       | P21      | —              | Segment output               | —     |
|            | SEG28       | P22      | —              | Segment output               | —     |
|            | SEG29       | P23      | —              | Segment output               | —     |
|            | SEG30       | P24      | —              | Segment output               | —     |
|            | SEG31       | P25      | —              | Segment output               | —     |
|            | SEG32       | P26      | —              | Segment output               | —     |
|            | SEG33       | P27      | —              | Segment output               | —     |
|            | SEG34       | P56      | —              | Segment output               | —     |
|            | SEG35       | P57      | —              | Segment output               | —     |
|            | SEG36       | PA3      | —              | Segment output               | —     |
|            | SEG37       | PA4      | —              | Segment output               | —     |
|            | SEG38       | PA5      | —              | Segment output               | —     |
|            | SEG39       | PA6      | —              | Segment output               | —     |
|            | SEG40       | PA7      | —              | Segment output               | —     |
|            | SEG41       | PB0      | —              | Segment output               | —     |
|            | SEG42       | PB1      | —              | Segment output               | —     |
| SEG43      | PB2         | —        | Segment output | —                            |       |
| SEG44      | PB3         | —        | Segment output | —                            |       |
| SEG45      | PB4         | —        | Segment output | —                            |       |
| SEG46      | PB5         | —        | Segment output | —                            |       |

Table 4 Pin Description (7/7)

| Function   | Signal name | Pin name                         | I/O                              | Description    | Logic   |   |
|------------|-------------|----------------------------------|----------------------------------|----------------|---|---|
| LCD driver | SEG47       | P40                              | —                                | Segment output | —   |   |
|            | SEG48       | P41                              | —                                | Segment output | —   |   |
|            | SEG49       | P30                              | —                                | Segment output | —   |   |
|            | SEG50       | P31                              | —                                | Segment output | —   |   |
|            | SEG51       | P32                              | —                                | Segment output | —   |   |
|            | SEG52       | P33                              | —                                | Segment output | —   |   |
|            | SEG53       | P60                              | —                                | Segment output | —   |   |
|            | SEG54       | P61                              | —                                | Segment output | —   |   |
|            | SEG55       | P62                              | —                                | Segment output | —   |   |
|            | SEG56       | P63                              | —                                | Segment output | —   |   |
|            | SEG57       | P64                              | —                                | Segment output | —   |   |
|            | SEG58       | P65                              | —                                | Segment output | —   |   |
|            | SEG59       | P66                              | —                                | Segment output | —   |   |
|            | SEG60       | P67                              | —                                | Segment output | —   |   |
|            | SEG61       | P42                              | —                                | Segment output | —   |   |
|            | SEG62       | PB6                              | —                                | Segment output | —   |   |
|            | SEG63       | PB7                              | —                                | Segment output | —   |   |
|            | SEG64       | P77                              | —                                | Segment output | —   |   |
|            |             | C <sub>1</sub> ,C <sub>2</sub>   | C <sub>1</sub> ,C <sub>2</sub>   | —              | LCD bias power source generation capacitor connection   | — |
|            |             | V <sub>L1</sub> ~V <sub>L3</sub> | V <sub>L1</sub> ~V <sub>L3</sub> | —              | LCD bias power source<br>Connect the capacitors (C <sub>L1</sub> ,C <sub>L2</sub> ,C <sub>L3</sub> ) between the pin and Vss. | — |

## TERMINATION OF UNUSED PINS

Table 5 Termination of unused pins

| Pin                | pin termination   |
|--------------------|---|
| NC                 | Connect to $V_{SS}$   |
| RESET_N            | Connect to $V_{DD}$   |
| P00/TEST0          | Connect to $V_{DD}$ with initial state (pulled-up input mode)           |
| XT0/PI00, XT1/PI01 | Open the pins with the internal initial condition of Hi-impedance mode. |
| P01 to P07         |   |
| P10 to P17         |   |
| P20 to P27         |   |
| P30 to P33         |   |
| P40 to P47         |   |
| P50 to P57         |   |
| P60 to P67         |   |
| P70, P76 , P77     |   |
| P80 to P87         |   |
| P90 to P97         |   |
| PA0 to PA7         |   |
| PB0 to PB7         |   |
| $C_1, C_2$         | Open  |
| $V_{L1}, V_{L2}$   | Open  |
| $V_{L3}$           | Connect to $V_{DD}$ through a resistor                                  |

## Note:

- Terminate unused input pins according to the table 5 in order to avoid unexpected through-current in the pins.

## ELECTRICAL CHARACTERISTICS

## Absolute Maximum Ratings

(V<sub>SS</sub> = 0V)

| Parameter                                     | Symbol                            | Condition  | Rating                                     | Unit               |    |
|---|-----------------------------------|------------|--|--------------------|----|
| Power supply voltage 1                        | V <sub>DD</sub>                   | Ta = +25°C | -0.3 to +6.5                               | V                  |    |
| Power supply voltage 2                        | V <sub>DDL</sub>                  | Ta = +25°C | -0.3 to +2.0                               | V                  |    |
| Power supply voltage 3                        | V <sub>L3</sub>                   | Ta = +25°C | -0.3 to +6.5                               | V                  |    |
| Power supply voltage 4                        | V <sub>L1</sub> , V <sub>L2</sub> | Ta = +25°C | -0.3 to V <sub>L3</sub> +0.3* <sup>1</sup> | V                  |    |
| Input voltage                                 | V <sub>IN</sub>                   | Ta = +25°C | -0.3 to V <sub>DD</sub> +0.3* <sup>1</sup> | V                  |    |
| Output voltage1                               | V <sub>OUT1</sub>                 | Ta = +25°C | -0.3 to V <sub>DD</sub> +0.3* <sup>1</sup> | V                  |    |
| Output voltage2<br>(COM0~COM7,<br>SEG0~SEG64) | V <sub>OUT2</sub>                 | Ta = +25°C | -0.3 to +6.5                               | V                  |    |
| "H" level output current                      | I <sub>OUTH</sub>                 | Ta = +25°C | 1pin                                       | -40* <sup>2</sup>  | mA |
|   |                                   |            | Total                                      | -180* <sup>2</sup> |    |
| "L" level output current                      | I <sub>OUTL</sub>                 | Ta = +25°C | 1pin                                       | +40                | mA |
|   |                                   |            | Total                                      | +180               |    |
| Power dissipation                             | PD                                | Ta = +25°C | 1  | W                  |    |
| Storage temperature                           | T <sub>STG</sub>                  | —          | -55 to +150                                | °C                 |    |

\*<sup>1</sup> 6.5V or lower\*<sup>2</sup> The current flowing out the LSI through the pin is described in the negative number.

The applicable maximum current is the absolute value.

For example, -1mA means the maximum current 1mA flows out the LSI through the pin.

[Note]

Stresses above the absolute maximum ratings listed in the above table may cause permanent damage to the device.

These are stress ratings only and functional operation of the device at these conditions is not implied.

## Recommended Operating Conditions

(V<sub>SS</sub> = 0V)

| Parameter   | Symbol   | Condition                     | Range                  | Unit |
|---|--|-------------------------------|------------------------|------|
| Operating temperature(Ambient)  | Ta   | —                             | -40 to +105            | °C   |
| Operating temperature(Chip-Junction)  | Tj   | —                             | -40 to +115            | °C   |
| Operating voltage 1   | V <sub>DD</sub>  | —                             | 1.6 to 5.5             | V    |
| Operating voltage 2   | V <sub>L3</sub>  | External supply method        | 2.7 to 5.5             | V    |
| Operating voltage 3   | V <sub>L2</sub>  | External supply method        | 2/3 x V <sub>L3</sub>  | V    |
| Operating voltage 4   | V <sub>L1</sub>  | External supply method        | 1/3 x V <sub>L3</sub>  | V    |
| Operating frequency (CPU)   | f <sub>OP</sub>  | V <sub>DD</sub> = 1.6 to 5.5V | 30k to 4M              | Hz   |
|   |  | V <sub>DD</sub> = 1.8 to 5.5V | 30k to 25M             |      |
| V <sub>DDL</sub> pin external capacitance                                       | C <sub>L</sub>   | —                             | 1.0 ±30%               | μF   |
| V <sub>L1</sub> , V <sub>L2</sub> , V <sub>L3</sub> pin<br>external capacitance | C <sub>L1</sub> , C <sub>L2</sub> ,<br>C <sub>L3</sub> | —                             | 0.47±30% or            | μF   |
|   |  |                               | 1.0±30%                |      |
| C <sub>1</sub> and C <sub>2</sub> pin external capacitance                      | C <sub>12</sub>  | —                             | 0.47±30% or<br>1.0±30% | μF   |

## Thermal characteristics

The maximum chip-junction temperature,  $T_{jmax}$ , may be calculated using the following equation.

$$T_{jmax} = T_{amax} + P_{Dmax} \times \theta_{ja}$$

$T_{amax}$  : maximum ambient temperature

$P_{Dmax}$  : LSI maximum power dissipation

$\theta_{ja}$  : Package junction to ambient thermal resistance

Design a Mounting board by considering heat radiation such as power dissipation and ambient temperature to satisfy the recommended conditions.

The following table shows the each package's thermal resistance for thermal design reference estimated by simulation based on the PCB (printed circuit board) conditions define as a below.

| Parameter          | Symbol        | Package type | Value |       | Unit |
|--------------------|---------------|--------------|-------|-------|------|
|                    |               |              | L1    | L2    |      |
| Thermal resistance | $\theta_{ja}$ | TQFP48       | 63.6  | 57.8  | °C/W |
|                    |               | TQFP52       | 61.7  | 56.7  |      |
|                    |               | TQFP64       | 63.2  | 58.2  |      |
|                    |               | QFP64        | 47.2  | 43.3  |      |
|                    |               | QFP80        | 55.5  | 51.6  |      |
|                    |               | TQFP100      | 48.0  | 43.3  |      |
|                    |               | QFP100       | 104.7 | 101.3 |      |

### PCB conditions:

| PCB name             | L1                 | L2                        | Unit  |
|----------------------|--------------------|---------------------------|-------|
| PCB size (L / W / T) | 114.3 / 76.2 / 1.6 | 114.3 / 76.2 / 1.6        | mm    |
| Number of layer      | 1                  | 2                         | layer |
| Wiring density       | 60% (top layer)    | 60%(top and bottom layer) | —     |
| Wind condition       | No wind (0m/s)     |                           | —     |

## Current Consumption 1

Product: ML62Q1700, ML62Q1701, ML62Q1702, ML62Q1703, ML62Q1704, ML62Q1710,  
ML62Q1711, ML62Q1712, ML62Q1713, ML62Q1714, ML62Q1720, ML62Q1721,  
ML62Q1722, ML62Q1723, ML62Q1724

(V<sub>DD</sub>=1.6 to 5.5V, V<sub>SS</sub>=0V, Ta=-40 to +105°C, unless otherwise specified)

| Parameter          | Symbol | Condition  | Min.                   | Typ.* <sup>3</sup> | Max. | Unit | Measuring circuit |
|--------------------|--------|--|------------------------|--------------------|------|------|-------------------|
| Supply current 0   | IDD0   | CPU is in STOP-D state.<br>Low-speed RC1K/RC32K and<br>PLL oscillation are stopped.  | Ta = -40 to<br>+85 °C  | —                  | 0.8  | 37   | μA                |
|                    |        |  | Ta = -40 to<br>+105 °C | —                  |      | 75   |                   |
| Supply current 1   | IDD1   | CPU is in STOP state.<br>Low-speed RC1K/RC32K and<br>PLL oscillation are stopped.  | Ta = -40 to<br>+85 °C  | —                  | 1.0  | 40   | μA                |
|                    |        |  | Ta = -40 to<br>+105 °C | —                  |      | 80   |                   |
| Supply current 2-1 | IDD2-1 | Low-speed RC32K Oscillating.<br>CPU is in HALT state (LTBC<br>and WDT are operating <sup>*1</sup> ). PLL<br>oscillation is stopped.                    | Ta = -40 to<br>+85 °C  | —                  | 4.9  | 42   | μA                |
|                    |        |  | Ta = -40 to<br>+105 °C | —                  |      | 85   |                   |
| Supply current 2-2 | IDD2-2 | Low-speed Crystal Oscillating.<br><sup>*4</sup><br>CPU is in HALT state (LTBC<br>and WDT are operating <sup>*1</sup> ). PLL<br>oscillation is stopped. | Ta = -40 to<br>+85 °C  | —                  | 3.3  | 42   | μA                |
|                    |        |  | Ta = -40 to<br>+105 °C | —                  |      | 85   |                   |
| Supply current 3   | IDD3   | CPU: Running with low-speed<br>RC32K oscillation clock <sup>*1*2</sup><br>PLL oscillation is stopped.  | Ta = -40 to<br>+105 °C | —                  | 17   | 105  | μA                |
| Supply current 4   | IDD4   | CPU: Running with 16MHz PLL<br>oscillating clock <sup>*2</sup><br>PLL 16MHz is oscillating.<br>V <sub>DD</sub> =1.8~5.5V                               | Ta = -40 to<br>+105 °C | —                  | 3.4  | 4.5  | mA                |
| Supply current 5   | IDD5   | CPU: Running with 24MHz PLL<br>oscillating clock <sup>*2</sup><br>PLL 24MHz is oscillating.<br>V <sub>DD</sub> =1.8~5.5V                               | Ta = -40 to<br>+105 °C | —                  | 4.8  | 6.0  |                   |

1

\*<sup>1</sup> LTBC and WDT is operating, Significant bits of BLKCON0-3 and BRECON0-3 registers are all "1"

\*<sup>2</sup> CPU running in wait mode

\*<sup>3</sup> On the condition of V<sub>DD</sub>=3.0V, Ta=+25°C

\*<sup>4</sup> When the noise filter is not used in the low power consumption mode

**Current Consumption 2**

Product: ML62Q1725, ML62Q1726, ML62Q1727, ML62Q1733, ML62Q1734, ML62Q1735, ML62Q1736,  
ML62Q1737, ML62Q1743, ML62Q1744, ML62Q1745, ML62Q1746, ML62Q1747

(V<sub>DD</sub>=1.6 to 5.5V, V<sub>SS</sub>=0V, Ta=-40 to +105°C, unless otherwise specified)

| Parameter          | Symbol | Condition  | Min.                   | Typ.* <sup>3</sup> | Max. | Unit | Measuring circuit |
|--------------------|--------|--|------------------------|--------------------|------|------|-------------------|
| Supply current 0   | IDD0   | CPU is in STOP-D state.<br>Low-speed RC1K/RC32K and<br>PLL oscillation are stopped.  | Ta = -40 to<br>+85 °C  | —                  | 1.0  | 55   | μA                |
|                    |        |  | Ta = -40 to<br>+105 °C | —                  |      | 110  |                   |
| Supply current 1   | IDD1   | CPU is in STOP state.<br>Low-speed RC1K/RC32K and<br>PLL oscillation are stopped.  | Ta = -40 to<br>+85 °C  | —                  | 1.5  | 60   | μA                |
|                    |        |  | Ta = -40 to<br>+105 °C | —                  |      | 120  |                   |
| Supply current 2-1 | IDD2-1 | Low-speed RC32K Oscillating.<br>CPU is in HALT state (LTBC<br>and WDT are operating <sup>*1</sup> ). PLL<br>oscillation is stopped.                    | Ta = -40 to<br>+85 °C  | —                  | 5.7  | 76   | μA                |
|                    |        |  | Ta = -40 to<br>+105 °C | —                  |      | 135  |                   |
| Supply current 2-2 | IDD2-2 | Low-speed Crystal Oscillating.<br><sup>*4</sup><br>CPU is in HALT state (LTBC<br>and WDT are operating <sup>*1</sup> ). PLL<br>oscillation is stopped. | Ta = -40 to<br>+85 °C  | —                  | 4.5  | 76   | μA                |
|                    |        |  | Ta = -40 to<br>+105 °C | —                  |      | 135  |                   |
| Supply current 3   | IDD3   | CPU: Running with low-speed<br>RC32K oscillation clock <sup>*1*2</sup><br>PLL oscillation is stopped.  | Ta = -40 to<br>+105 °C | —                  | 20   | 150  | μA                |
| Supply current 4   | IDD4   | CPU: Running with 16MHz PLL<br>oscillating clock <sup>*2</sup><br>PLL 16MHz is oscillating.<br>V <sub>DD</sub> =1.8~5.5V                               | Ta = -40 to<br>+105 °C | —                  | 4.0  | 5.0  | mA                |
| Supply current 5   | IDD5   | CPU: Running with 24MHz PLL<br>oscillating clock <sup>*2</sup><br>PLL 24MHz is oscillating.<br>V <sub>DD</sub> =1.8~5.5V                               | Ta = -40 to<br>+105 °C | —                  | 5.7  | 7.0  |                   |

1

\*<sup>1</sup> LTBC and WDT is operating, Significant bits of BLKCON0-3 and BRECON0-3 registers are all "1"

\*<sup>2</sup> CPU running in wait mode

\*<sup>3</sup> On the condition of V<sub>DD</sub>=3.0V, Ta=+25°C

\*<sup>4</sup> When the noise filter is not used in the low power consumption mode

## Current Consumption 3

Product: ML62Q1728, ML62Q1729, ML62Q1738, ML62Q1739, ML62Q1748, ML62Q1749

(V<sub>DD</sub>=1.6 to 5.5V, V<sub>SS</sub>=0V, Ta=-40 to +105°C, unless otherwise specified)

| Parameter          | Symbol | Condition  | Min.                | Typ.* <sup>3</sup> | Max. | Unit | Measuring circuit |
|--------------------|--------|--|---------------------|--------------------|------|------|-------------------|
| Supply current 0   | IDD0   | CPU is in STOP-D state.<br>Low-speed RC1K/RC32K and PLL oscillation are stopped.   | Ta = -40 to +85 °C  | —                  | 1.2  | 57   | μA                |
|                    |        |  | Ta = -40 to +105 °C | —                  |      | 140  |                   |
| Supply current 1   | IDD1   | CPU is in STOP state.<br>Low-speed RC1K/RC32K and PLL oscillation are stopped.   | Ta = -40 to +85 °C  | —                  | 1.8  | 62   | μA                |
|                    |        |  | Ta = -40 to +105 °C | —                  |      | 150  |                   |
| Supply current 2-1 | IDD2-1 | Low-speed RC32K Oscillating.<br>CPU is in HALT state (LTBC and WDT are operating <sup>*1</sup> ). PLL oscillation is stopped.                    | Ta = -40 to +85 °C  | —                  | 6.0  | 78   | μA                |
|                    |        |  | Ta = -40 to +105 °C | —                  |      | 165  |                   |
| Supply current 2-2 | IDD2-2 | Low-speed Crystal Oscillating.<br><sup>*4</sup><br>CPU is in HALT state (LTBC and WDT are operating <sup>*1</sup> ). PLL oscillation is stopped. | Ta = -40 to +85 °C  | —                  | 4.5  | 78   | μA                |
|                    |        |  | Ta = -40 to +105 °C | —                  |      | 165  |                   |
| Supply current 3   | IDD3   | CPU: Running with low-speed RC32K oscillation clock <sup>*1*2</sup><br>PLL oscillation is stopped.   | Ta = -40 to +105 °C | —                  | 20   | 190  | μA                |
| Supply current 4   | IDD4   | CPU: Running with 16MHz PLL oscillating clock <sup>*2</sup><br>PLL 16MHz is oscillating.<br>V <sub>DD</sub> =1.8~5.5V                            | Ta = -40 to +105 °C | —                  | 4.0  | 5.0  | mA                |
| Supply current 5   | IDD5   | CPU: Running with 24MHz PLL oscillating clock <sup>*2</sup><br>PLL 24MHz is oscillating.<br>V <sub>DD</sub> =1.8~5.5V                            | Ta = -40 to +105 °C | —                  | 5.7  | 7.0  |                   |

1

\*<sup>1</sup> LTBC and WDT is operating, Significant bits of BLKCON0-3 and BRECON0-3 registers are all "1"\*<sup>2</sup> CPU running in wait mode\*<sup>3</sup> On the condition of V<sub>DD</sub>=3.0V, Ta=+25°C\*<sup>4</sup> When the noise filter is not used in the low power consumption mode



Low speed Crystal Oscillation

( $V_{DD}=1.6$  to  $5.5V$ ,  $V_{SS}=0V$ ,  $T_a=-40$  to  $+105^{\circ}C$ , unless otherwise specified)

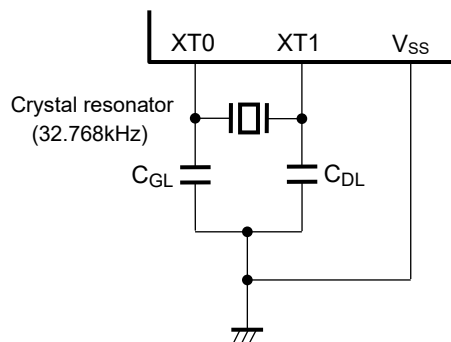
| Parameter                           | Symbol    | Condition | Range |        |      | Unit |
|-------------------------------------|-----------|-----------|-------|--------|------|------|
|                                     |           |           | Min.  | Typ.   | Max. |      |
| Crystal oscillation frequency *1 *2 | $f_{XTL}$ | —         | —     | 32.768 | —    | kHz  |
| Crystal oscillation start time      | $T_{XTL}$ | —         | —     | —      | 2    | s    |

\*1: The oscillation frequency is determined by the oscillation circuit, crystal resonator and the external capacitance ( $C_{GL}/C_{DL}$ ). As those parameters changes depending the crystal resonator, it requires evaluation on the actual PCB circuit for matching. Ask crystal resonator makers for matching and confirm the oscillation characteristics.

\*2: The quality of oscillation characteristics might be lost, depending on material of PCB, condition of wiring capacitance or parasitic capacitance on the external circuits. Note for designing the external circuit.

- Make the wires on the external circuit as short as possible.
- Place the crystal resonator and oscillation circuit as close to the MCU as possible and make the wires between the external capacitance and crystal resonator as short as possible.
- Ensure no signal line flowing big current runs near the oscillation circuit.
- Ensure no signal line runs under and near the oscillation circuit.
- Make ground of external capacitance the same as MCU ground  $V_{SS}$  pin and connect them to the ground that has low variation of current and voltage.
- The quality of oscillation characteristics might be lost depending on operating environment due to moisture absorption of PCB and condensation of PCB surface, recommended to have measures such as covering the oscillation circuit with resin.

Low speed Crystal Oscillation external circuit example



External Clock Input

( $V_{DD}=1.6$  to  $5.5V$ ,  $V_{SS}=0V$ ,  $T_a=-40$  to  $+105^{\circ}C$ , unless otherwise specified)

| Parameter         | Symbol      | Condition | Range                        |        |                              | Unit |
|-------------------|-------------|-----------|------------------------------|--------|------------------------------|------|
|                   |             |           | Min.                         | Typ.   | Max.                         |      |
| Input Frequency   | $f_{EXCK}$  | —         | Typ. -1.0%                   | 32.768 | Typ. +1.0%                   | kHz  |
| Input pulse width | $t_{EXCKW}$ | —         | $1/f_{EXCK}$<br>$\times 0.4$ |        | $1/f_{EXCK}$<br>$\times 0.6$ | s    |

## On-chip Oscillator

(V<sub>DD</sub>=1.6 to 5.5V, V<sub>SS</sub>=0V, Ta=-40 to +105°C, unless otherwise specified)

| Parameter   | Symbol            | Condition  | Min.          | Typ.   | Max.          | Unit | Measuring circuit |
|---|-------------------|--|---------------|--------|---------------|------|-------------------|
| Low-speed RC oscillator frequency accuracy 1<br>Without software adjustment | f <sub>RCL1</sub> | Ta= +25°C<br>V <sub>DD</sub> = 1.8 to 5.5V         | Typ.<br>-1.0% | 32.768 | Typ.<br>+1.0% | kHz  | 1                 |
|   |                   | Ta= -40 to +85°C<br>V <sub>DD</sub> = 1.8 to 5.5V  | Typ.<br>-2.5% | 32.768 | Typ.<br>+2.5% |      |                   |
|   |                   | Ta= -40 to +105°C<br>V <sub>DD</sub> = 1.8 to 5.5V | Typ.<br>-3.0% | 32.768 | Typ.<br>+3.0% |      |                   |
|   |                   | V <sub>DD</sub> = 1.6 to 1.8V                      | Typ.<br>-3.5% | 32.768 | Typ.<br>-3.5% |      |                   |
| Low-speed RC oscillator frequency accuracy 2<br>With software adjustment    | f <sub>RCL2</sub> | Ta= -40 to +85°C<br>V <sub>DD</sub> = 1.8 to 5.5V  | Typ.<br>-1.0% | 32.768 | Typ.<br>+1.0% |      |                   |
|   |                   | Ta= -40 to +105°C<br>V <sub>DD</sub> = 1.8 to 5.5V | Typ.<br>-1.5% | 32.768 | Typ.<br>+1.5% |      |                   |
| PLL oscillation frequency accuracy 1<br>Without software adjustment         | f <sub>PLL1</sub> | Ta= -40 to +85°C<br>V <sub>DD</sub> = 1.8 to 5.5V  | Typ.<br>-2.5% | 16/24  | Typ.<br>+2.5% | MHz  |                   |
|   |                   | Ta= -40 to +105°C<br>V <sub>DD</sub> = 1.8 to 5.5V | Typ.<br>-3.0% | 16/24  | Typ.<br>+3.0% |      |                   |
|   |                   | V <sub>DD</sub> = 1.6 to 1.8V                      | Typ.<br>-3.5% | 16/24  | Typ.<br>+3.5% |      |                   |
| PLL oscillation frequency accuracy 2<br>With software adjustment            | f <sub>PLL2</sub> | Ta= -40 to +85°C<br>V <sub>DD</sub> = 1.8 to 5.5V  | Typ.<br>-1.0% | 16/24  | Typ.<br>+1.0% |      |                   |
|   |                   | Ta= -40 to +105°C<br>V <sub>DD</sub> = 1.8 to 5.5V | Typ.<br>-1.5% | 16/24  | Typ.<br>+1.5% |      |                   |
| PLL oscillation start time  | T <sub>PLL</sub>  | V <sub>DD</sub> = 1.6 to 5.5V                      | —             | —      | 2             | ms   |                   |
| 1kHz Low-speed RC oscillator (for WDT) frequency accuracy                   | f <sub>RC1K</sub> | Ta= -40 to +105°C<br>V <sub>DD</sub> = 1.6 to 5.5V | 0.5           | 1      | 2.5           | kHz  |                   |

## Input / Output pin 1

(V<sub>DD</sub>=1.6 to 5.5V, V<sub>SS</sub>=0V, Ta=-40 to +105°C, unless otherwise specified)

| Parameter  | Symbol | Condition  | Min.                                     | Typ.                    | Max. | Unit | Measuring circuit |                         |
|--|--------|--|--|-------------------------|------|------|-------------------|-------------------------|
| Output voltage1<br>“H”/“L” level<br>(P00-P07)<br>(P10-P17)<br>(P20-P27)<br>(P30-P33)<br>(P40-P47)<br>(P50-P57)<br>(P60-P67)<br>(P70,P76,P77)<br>(P80-P87)<br>(P90-P97)<br>(PA0-PA7)<br>(PB0-PB7) | VOH1   | IOH1=-10mA<br>V <sub>DD</sub> ≥4.5V                                    | V <sub>DD</sub><br>-1.5                  | —                       | —    | V    | 2                 |                         |
|  |        | IOH1=-1mA<br>V <sub>DD</sub> ≥1.6V                                     | V <sub>DD</sub><br>-0.5                  | —                       | —    |      |                   |                         |
|  | VOL1   | IOL1=+10mA<br>V <sub>DD</sub> ≥4.5V                                    | —  | —                       | 1.5  |      |                   |                         |
|  |        | IOL1=+1mA<br>V <sub>DD</sub> ≥1.6V                                     | —  | —                       | 0.5  |      |                   |                         |
| Output voltage2<br>“L” level<br>(P01-P07)<br>(P10-P17)<br>(P20-P27)<br>(P30-P33)<br>(P40-P47)<br>(P50-P57)<br>(P60-P67)<br>(P70 P76,P77)<br>(P80-P87)<br>(P90-P97)<br>(PA0-PA7)<br>(PB0-PB7)     | VOL2   | When N-ch open<br>drain output<br>mode is selected                     | IOL2=+15mA<br>V <sub>DD</sub> ≥4.5V      | —                       | —    | 0.5  |                   |                         |
|  |        |  | IOL2=+8mA<br>V <sub>DD</sub> ≥3.0V       | —                       | —    | 0.5  |                   |                         |
|  |        |  | IOL2=+3mA<br>V <sub>DD</sub> ≥2.0V       | —                       | —    | 0.4  |                   |                         |
|  |        |  | IOL2=+2mA<br>V <sub>DD</sub> ≥1.6V       | —                       | —    | 0.4  |                   |                         |
| Output voltage 3<br>LCD COM/SEG<br>(COM0~COM7)<br>(SEG0~SEG64)   | VOH3M  | V <sub>L3</sub> = 3V,<br>V <sub>L2</sub> = 2V,<br>V <sub>L1</sub> = 1V | IOH3M=-0.03mA<br>V <sub>L3</sub> output  | V <sub>L3</sub><br>-0.2 | —    | V    | 2                 |                         |
|  | VOH3P  |  | IOMH3P=+0.03mA<br>V <sub>L2</sub> output | —                       | —    |      |                   | V <sub>L2</sub><br>+0.2 |
|  | VOMH3M |  | IOMH3M=-0.03mA<br>V <sub>L2</sub> output | V <sub>L2</sub><br>-0.2 | —    |      |                   | —                       |
|  | VOML3P |  | IOML3P=+0.03mA<br>V <sub>L1</sub> output | —                       | —    |      |                   | V <sub>L1</sub><br>+0.2 |
|  | VOML3M |  | IOML3M=-0.03mA<br>V <sub>L1</sub> output | V <sub>L1</sub><br>-0.2 | —    |      |                   | —                       |
|  | VOL3P  |  | IOL3P=+0.03mA<br>V <sub>SS</sub> output  | —                       | —    |      |                   | 0.2                     |

Input / Output pin 2

(V<sub>DD</sub>=1.6 to 5.5V, V<sub>SS</sub>=0V, Ta=-40 to +105°C, unless otherwise specified)

| Parameter                           | Symbol | Condition   | Min.                  | Typ.                                      | Max. | Unit                                      | Measu ring circuit |    |
|-------------------------------------|--------|---|-----------------------|---|------|---|--------------------|----|
| “H” level output current1 *6        | IOH1   | 1pin  | V <sub>DD</sub> ≥4.5V | -10*3*5                                   | —    | —   | mA                 |    |
|                                     |        |   | V <sub>DD</sub> ≥1.6V | -1*3*5                                    | —    | —   |                    |    |
| “H” level output current1 *1*4      | IOH3   | Total of ‘P00-P07, P10-P13, P44-P47, P50-P53, P70,P76, P80-P87, P90-P97, PA0’ or Total of ‘P14-P17, P20-P27, P30-P33, P40-P43, P54-P57 P60-P67,P77, PA1-PA7, PB0-PB7’ (duty≤50%)                            | V <sub>DD</sub> ≥4.5V | -90*5                                     | —    | —   |                    |    |
|                                     |        |   | V <sub>DD</sub> ≥1.6V | -20*5                                     | —    | —   |                    |    |
|                                     |        | All pin total (duty≤50%)  | V <sub>DD</sub> ≥4.5V | -180*5                                    | —    | —   |                    |    |
| “L” level output current1 *6        | IOL1   | 1pin (CMOS output mode)   | V <sub>DD</sub> ≥4.5V | —   | —    | 10*3                                      |                    |    |
|                                     |        |   | V <sub>DD</sub> ≥1.6V | —   | —    | 1*3                                       |                    |    |
| “L” level output current2 *6        | IOL2   | 1pin (N-ch open drain output mode)  | V <sub>DD</sub> ≥4.5V | —   | —    | 15*3                                      |                    |    |
|                                     |        |   | V <sub>DD</sub> ≥3.0V | —   | —    | 8*3                                       |                    |    |
|                                     |        |   | V <sub>DD</sub> ≥2.0V | —   | —    | 3*3                                       |                    |    |
|                                     |        |   | V <sub>DD</sub> ≥1.6V | —   | —    | 2*3                                       |                    |    |
| “L” level output total current *2*4 | IOL3   | Total of P00-P07, P10-P13, P44-P47, P50-P53, P70,P76, P80-P87, P90-P97, PA0’ or Total of ‘P14-P17, P20-P27, P30-P33, P40-P43, P54-P57 P60-P67,P77, PA1-PA7, PB0-PB7’ (N-ch open drain output mode,duty≤50%) | V <sub>DD</sub> ≥4.5V | —   | —    | 90  |                    |    |
|                                     |        |   | V <sub>DD</sub> ≥3.0V | —   | —    | 40  |                    |    |
|                                     |        | All pin total (N-ch open drain output mode,duty≤50%)  | V <sub>DD</sub> ≥2.0V | —   | —    | 15  |                    |    |
|                                     |        |   | V <sub>DD</sub> ≥1.6V | —   | —    | 10  |                    |    |
|                                     |        | Output leak (P00-P07) (P10-P17) (P20-P27) (P30-P33) (P40-P47) (P50-P57) (P60-P67) (P70,P76,P77) (P80-P87) (P90-P97) (PA0-PA7) (PB0-PB7)   | IOOH                  | VOH=V <sub>DD</sub> (High impedance mode) | —    | —   | +1                 | μA |
|                                     |        |   |                       |   | IOOL | VOL=V <sub>SS</sub> (High impedance mode) | -1*5               |    |

3

- \*<sup>1</sup> Sink-out current from  $V_{DD}$  to the output pin, which can guarantee the device operation.
- \*<sup>2</sup> Sink-in current from the output pin to  $V_{SS}$ , which can guarantee the device operation.
- \*<sup>3</sup> Do not exceed total current.
- \*<sup>4</sup> The total current is on the condition of Duty $\leq$ 50%(same applies to IOH1).  
When the duty  $>$ 50% the total current is calculated by following formula.  
Total current = IOL3 x 50/n (When the duty is n%)  
<For an example> When IOL3=100mA and n=80%,  
Total current = IOL3 x 50/80 = 62.5mA  
Current allowed per 1pin is independent of the duty and specified as IOL1 and IOL2.  
Do not apply current larger than Absolute Maximum Ratings.
- \*<sup>5</sup> The current flowing out the LSI through the pin is described in the negative number.  
The applicable maximum current is the absolute value.  
For example, -1mA means the maximum current 1mA flows out the LSI through the pin.
- \*<sup>6</sup> These values are satisfied with VOH1, VOL1 and VOL2.

## Input / Output pin 3

(V<sub>DD</sub>=1.6 to 5.5V, V<sub>SS</sub>=0V, Ta=-40 to +105°C, unless otherwise specified)

| Parameter  | Symbol             | Condition   | Min.                     | Typ.               | Max.                      | Unit | Measuring circuit |
|--|--------------------|---|--------------------------|--------------------|---------------------------|------|-------------------|
| Input current1<br>(RESET_N)  | I <sub>IH1</sub>   | V <sub>IH1</sub> =V <sub>DD</sub>                               | —                        | —                  | 1                         | μA   | 4                 |
|  | I <sub>IL1</sub>   | V <sub>IL1</sub> =V <sub>SS</sub>                               | -1* <sup>1</sup>         | —                  | —                         |      |                   |
| Input current2<br>(P00/TEST0)  | I <sub>IL2</sub>   | V <sub>IL2</sub> =V <sub>SS</sub> (pull-up mode) * <sup>2</sup> | -1500* <sup>1</sup>      | -300* <sup>1</sup> | -20* <sup>1</sup>         | kΩ   |                   |
|  | V/I <sub>IL2</sub> | V <sub>IL2</sub> =V <sub>SS</sub> (pull-up mode) * <sup>2</sup> | 3.7                      | 10                 | 80                        | μA   |                   |
|  | I <sub>IH2Z</sub>  | V <sub>IH2</sub> =V <sub>DD</sub> (High impedance mode)         | —                        | —                  | 1                         |      |                   |
| Input current3<br>(P01-P07)<br>(P10-P17)<br>(P20-P27)<br>(P30-P33)<br>(P40-P47)<br>(P50-P57)<br>(P60-P67)<br>(P70,P76,P77)<br>(P80-P87)<br>(P90-P97)<br>(PA0-PA7)<br>(PB0-PB7)   | I <sub>IL2Z</sub>  | V <sub>IL2</sub> =V <sub>SS</sub> (High impedance mode)         | -1* <sup>1</sup>         | —                  | —                         | μA   |                   |
|  | I <sub>IL3</sub>   | V <sub>IL1</sub> =V <sub>SS</sub> (pull-up mode) * <sup>2</sup> | -250* <sup>1</sup>       | -30* <sup>1</sup>  | -2* <sup>1</sup>          |      |                   |
|  | V/I <sub>IL3</sub> | V <sub>IL1</sub> =V <sub>SS</sub> (pull-up mode) * <sup>2</sup> | 22                       | 100                | 800                       | μA   |                   |
|  | I <sub>IH3Z</sub>  | V <sub>IH1</sub> =V <sub>DD</sub> (High impedance mode)         | —                        | —                  | 1                         |      |                   |
| Input current4<br>(PI00-PI01)  | I <sub>IL3Z</sub>  | V <sub>IL1</sub> =V <sub>SS</sub> (High impedance mode)         | -1* <sup>1</sup>         | —                  | —                         | μA   |                   |
|  | I <sub>IH4</sub>   | V <sub>IH1</sub> =V <sub>DD</sub>                               | —                        | —                  | 1                         |      |                   |
| Input current4<br>(PI00-PI01)  | I <sub>IL4</sub>   | V <sub>IL1</sub> =V <sub>SS</sub>                               | -1* <sup>1</sup>         | —                  | —                         | μA   |                   |
|  | I <sub>IH4</sub>   | V <sub>IH1</sub> =V <sub>DD</sub>                               | —                        | —                  | 1                         |      |                   |
| Input voltage1<br>(RESET_N)<br>(P01-P07)<br>(P10-P17)<br>(P20-P27)<br>(P30-P33)<br>(P40-P47)<br>(P50-P57)<br>(P60-P67)<br>(P70,P76,P77)<br>(P80-P87)<br>(P90-P97)<br>(PA0-PA7)<br>(PB0-PB7)<br>(PI00-PI01)                 | V <sub>IH1</sub>   | —   | 0.7<br>x V <sub>DD</sub> | —                  | V <sub>DD</sub>           | V    | 5                 |
|  | V <sub>IL1</sub>   | —   | 0                        | —                  | 0.3<br>x V <sub>DD</sub>  |      |                   |
| Input voltage2<br>(P00/TEST0)  | V <sub>IH2</sub>   | —   | 0.7<br>x V <sub>DD</sub> | —                  | V <sub>DD</sub>           | V    | 5                 |
|  | V <sub>IL2</sub>   | —   | 0                        | —                  | 0.25<br>x V <sub>DD</sub> |      |                   |
| Pin capacitance<br>(RESET_N)<br>(P00/TEST0)<br>(P01-P07)<br>(P10-P17)<br>(P20-P27)<br>(P30-P33)<br>(P40-P47)<br>(P50-P57)<br>(P60-P67)<br>(P70,P76,P77)<br>(P80-P87)<br>(P90-P97)<br>(PA0-PA7)<br>(PB0-PB7)<br>(PI00-PI01) | C <sub>PIN</sub>   | f = 10kHz<br>Ta = +25°C   | —                        | —                  | 10                        | pF   | —                 |

\*<sup>1</sup> The current flowing out the LSI through the pin is described in the negative number. The applicable maximum current is the absolute value. For example, -1mA means the maximum current 1mA flows out the LSI through the pin.

\*<sup>2</sup> Measurement conditions: Typ. : V<sub>DD</sub> = 3.0V, Max. : V<sub>DD</sub> = 1.6V, Min. : V<sub>DD</sub> = 5.5V

## Synchronous Serial Port Slave mode

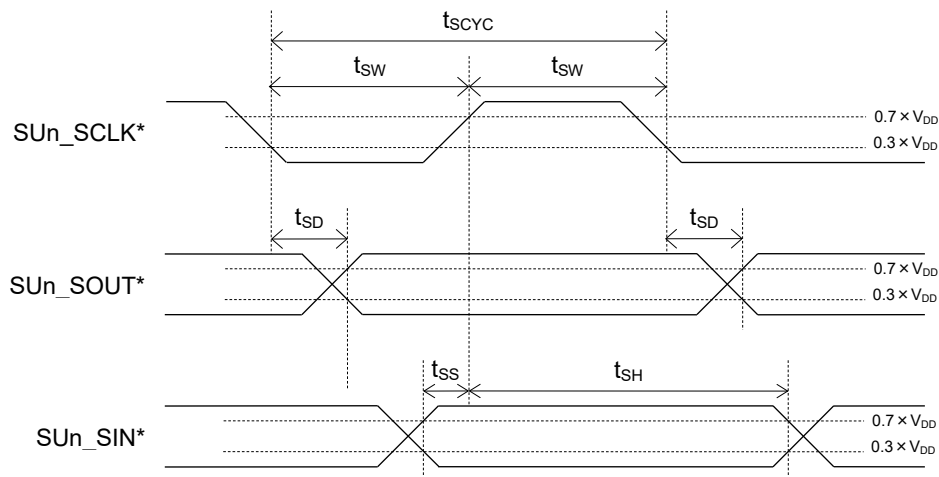
( $V_{DD}=1.8$  to  $5.5V$ ,  $V_{SS}=0V$ ,  $T_a=-40$  to  $+105^{\circ}C$ , unless otherwise specified)

| Parameter              | Symbol     | Condition              | Min.                                  | Typ. | Max.                                   | Unit    |
|------------------------|------------|------------------------|---------------------------------------|------|--|---------|
| SCK input cycle        | $t_{SCYC}$ | —                      | 1 <sup>*2</sup>                       | —    | —                                      | $\mu s$ |
| SCK input pulse width  | $t_{SW}$   | —                      | 0.5 <sup>*3</sup>                     | —    | —                                      | $\mu s$ |
| SOUT output delay time | $t_{SD}$   | $V_{DD}=2.4$ to $5.5V$ | —                                     | —    | 100+<br>HSCLK <sup>*1</sup> $\times 3$ | ns      |
|                        |            | $V_{DD}=1.8$ to $5.5V$ | —                                     | —    | 200+<br>HSCLK <sup>*1</sup> $\times 3$ | ns      |
| SIN input setup time   | $t_{SS}$   | —                      | HSCLK <sup>*1</sup><br>$\times 1$     | —    | —                                      | ns      |
| SIN input hold time    | $t_{SH}$   | —                      | 80+<br>HSCLK <sup>*1</sup> $\times 3$ | —    | —                                      | ns      |

\*1 Cycle of high speed clock

\*2 Need input cycles of HSLCK x8 or longer

\*3 Need input cycles of HSLCK x4 or longer



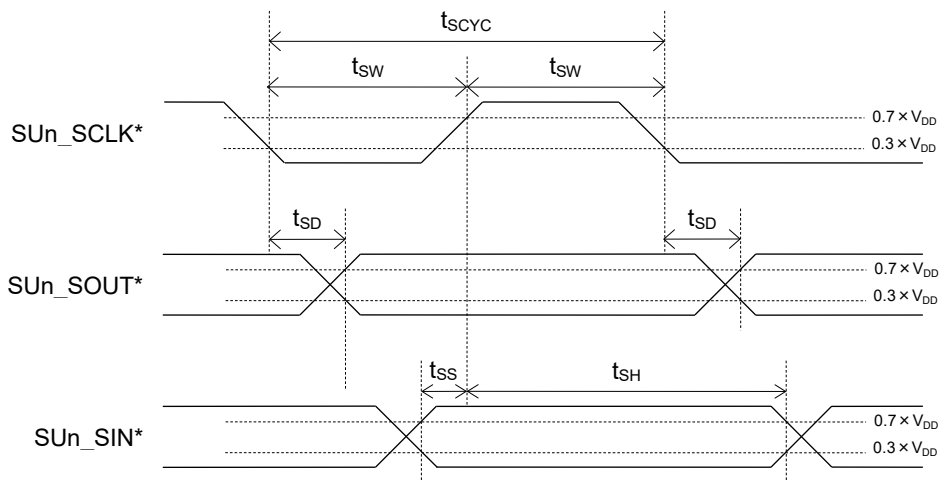
\* 2<sup>nd</sup> to 8<sup>th</sup> function of port, n=0~5

Master mode

( $V_{DD}=1.8$  to  $5.5V$ ,  $V_{SS}=0V$ ,  $T_a=-40$  to  $+105^{\circ}C$ , unless otherwise specified)

| Parameter              | Symbol     | Condition              | Min.                   | Typ.                   | Max.                   | Unit |
|------------------------|------------|------------------------|------------------------|------------------------|------------------------|------|
| SCK output cycle       | $t_{SCYC}$ | —                      | —                      | $SCLK^{*1}$            | —                      | ns   |
| SCK output pulse width | $t_{SW}$   | —                      | $SCLK^{*1} \times 0.4$ | $SCLK^{*1} \times 0.5$ | $SCLK^{*1} \times 0.6$ | ns   |
| SOUT output delay time | $t_{SD}$   | $V_{DD}=2.4$ to $5.5V$ | —                      | —                      | 100                    | ns   |
|                        |            | $V_{DD}=1.8$ to $5.5V$ | —                      | —                      | 160                    | ns   |
| SIN input setup time   | $t_{SS}$   | $V_{DD}=2.4$ to $5.5V$ | 120                    | —                      | —                      | ns   |
|                        |            | $V_{DD}=1.8$ to $5.5V$ | 180                    | —                      | —                      | ns   |
| SIN input hold time    | $t_{SH}$   | $V_{DD}=2.4$ to $5.5V$ | 80                     | —                      | —                      | ns   |
|                        |            | $V_{DD}=1.8$ to $5.5V$ | 100                    | —                      | —                      | ns   |

\*1 Clock cycle selected by bit12~8(SnCK4~0) of the serial port n mode register (SIOOnMOD)  
 $V_{DD} \geq 2.4V$ : min250ns,  $V_{DD} \geq 1.8V$ : min500ns



\* 2<sup>nd</sup> to 8<sup>th</sup> function of port, n=0~5



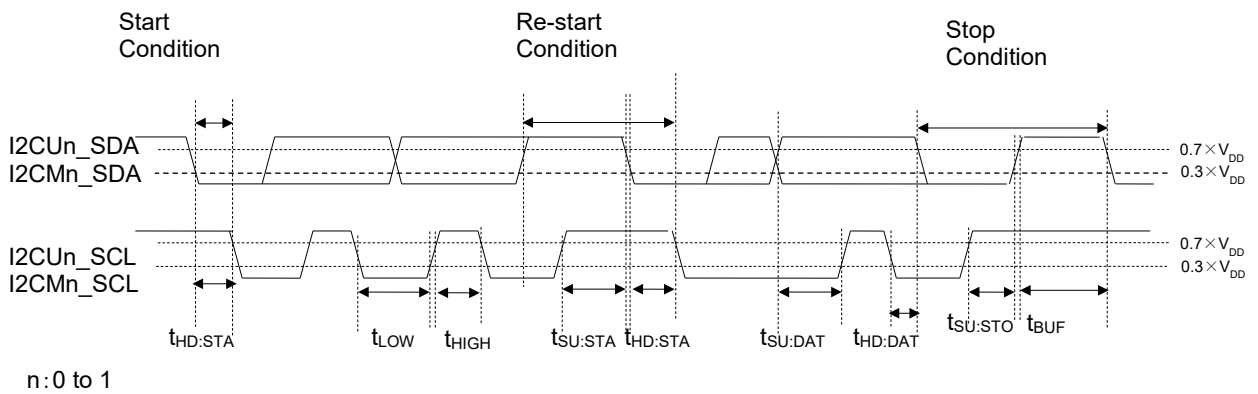
I<sup>2</sup>C Bus Interface

Standard Mode (100k bit/s)

(V<sub>DD</sub>=1.8 to 5.5V, V<sub>SS</sub>=0V, Ta=-40 to +105°C, unless otherwise specified)

| Parameter                               | Symbol              | Condition | Min. | Typ. | Max. | Unit |
|---|---------------------|-----------|------|------|------|------|
| SCL clock frequency                     | f <sub>SCL</sub>    | —         | 0    | —    | 100  | kHz  |
| SCL hold time (start/restart condition) | t <sub>HD:STA</sub> | —         | 4.0  | —    | —    | μs   |
| SCL "L" level time                      | t <sub>LOW</sub>    | —         | 4.7  | —    | —    | μs   |
| SCL "H" level time                      | t <sub>HIGH</sub>   | —         | 4.0  | —    | —    | μs   |
| SCL setup time (restart condition)      | t <sub>SU:STA</sub> | —         | 4.7  | —    | —    | μs   |
| SDA hold time                           | t <sub>HD:DAT</sub> | —         | 0    | —    | —    | μs   |
| SDA setup time                          | t <sub>SU:DAT</sub> | —         | 0.25 | —    | —    | μs   |
| SDA setup time (stop condition)         | t <sub>SU:STO</sub> | —         | 4.0  | —    | —    | μs   |
| Bus-free time                           | t <sub>BUF</sub>    | —         | 4.7  | —    | —    | μs   |

When using the I<sup>2</sup>C as the master, configure the I<sup>2</sup>C master n mode register(I2MnMOD) and I<sup>2</sup>C bus 0 mode register (master side, I2UM0MOD) so that meet these specifications.

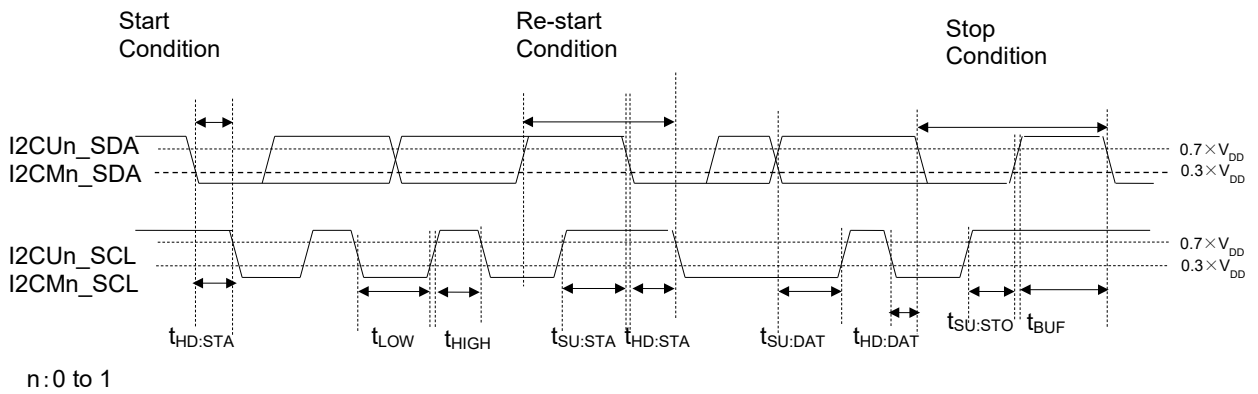


Fast Mode (400k bit/s)

( $V_{DD}=1.8$  to  $5.5V$ ,  $V_{SS}=0V$ ,  $T_a=-40$  to  $+105^{\circ}C$ , unless otherwise specified)

| Parameter                                  | Symbol       | Condition | Min. | Typ. | Max. | Unit    |
|--|--------------|-----------|------|------|------|---------|
| SCL clock frequency                        | $f_{SCL}$    | —         | 0    | —    | 400  | kHz     |
| SCL hold time<br>(start/restart condition) | $t_{HD:STA}$ | —         | 0.6  | —    | —    | $\mu s$ |
| SCL "L" level time                         | $t_{LOW}$    | —         | 1.3  | —    | —    | $\mu s$ |
| SCL "H" level time                         | $t_{HIGH}$   | —         | 0.6  | —    | —    | $\mu s$ |
| SCL setup time<br>(restart condition)      | $t_{SU:STA}$ | —         | 0.6  | —    | —    | $\mu s$ |
| SDA hold time                              | $t_{HD:DAT}$ | —         | 0    | —    | —    | $\mu s$ |
| SDA setup time                             | $t_{SU:DAT}$ | —         | 0.1  | —    | —    | $\mu s$ |
| SDA setup time<br>(stop condition)         | $t_{SU:STO}$ | —         | 0.6  | —    | —    | $\mu s$ |
| Bus-free time                              | $t_{BUF}$    | —         | 1.3  | —    | —    | $\mu s$ |

When using the I<sup>2</sup>C as the master, configure the I<sup>2</sup>C master n mode register(I2MnMOD) and I<sup>2</sup>C bus 0 mode register (master side, I2UM0MOD) so that meet these specifications.

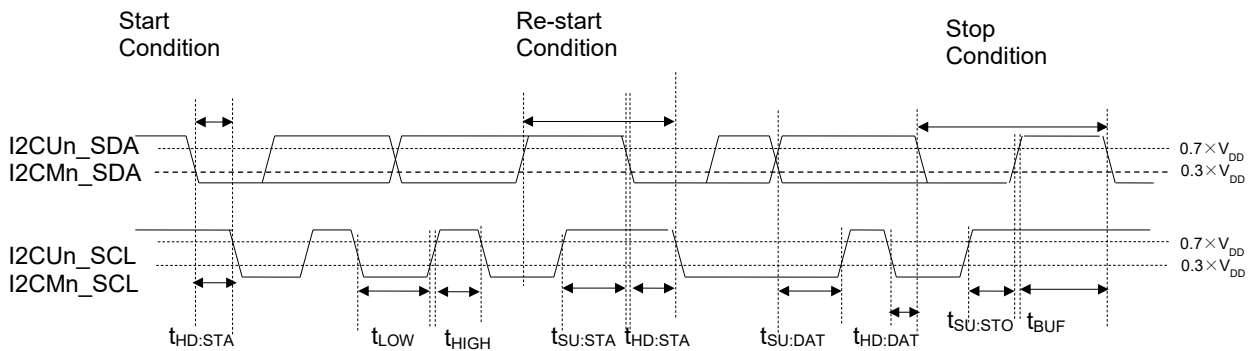


1Mbps Mode (1M bit/s)

( $V_{DD}=2.7$  to  $5.5V$ ,  $V_{SS}=0V$ ,  $T_a=-40$  to  $+105^{\circ}C$ , unless otherwise specified)

| Parameter                                  | Symbol       | Condition | Min. | Typ. | Max. | Unit    |
|--|--------------|-----------|------|------|------|---------|
| SCL clock frequency                        | $f_{SCL}$    | —         | 0    | —    | 1000 | kHz     |
| SCL hold time<br>(start/restart condition) | $t_{HD:STA}$ | —         | 0.26 | —    | —    | $\mu s$ |
| SCL "L" level time                         | $t_{LOW}$    | —         | 0.5  | —    | —    | $\mu s$ |
| SCL "H" level time                         | $t_{HIGH}$   | —         | 0.26 | —    | —    | $\mu s$ |
| SCL setup time<br>(restart condition)      | $t_{SU:STA}$ | —         | 0.26 | —    | —    | $\mu s$ |
| SDA hold time                              | $t_{HD:DAT}$ | —         | 0    | —    | —    | $\mu s$ |
| SDA setup time                             | $t_{SU:DAT}$ | —         | 0.1  | —    | —    | $\mu s$ |
| SDA setup time<br>(stop condition)         | $t_{SU:STO}$ | —         | 0.26 | —    | —    | $\mu s$ |
| Bus-free time                              | $t_{BUF}$    | —         | 0.5  | —    | —    | $\mu s$ |

When using the I<sup>2</sup>C as the master, configure the I<sup>2</sup>C master n mode register(I2MnMOD) and I<sup>2</sup>C bus 0 mode register (master side, I2UM0MOD) so that meet these specifications.



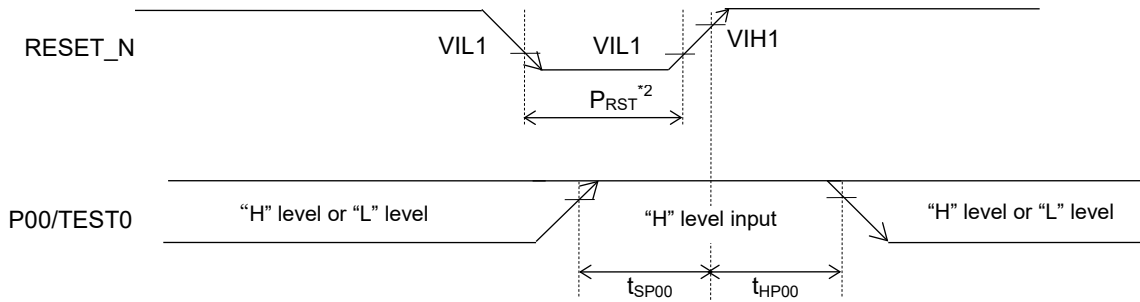
n:0 to 1

Reset

( $V_{DD}=1.6$  to  $5.5V$ ,  $V_{SS}=0V$ ,  $T_a=-40$  to  $+105^{\circ}C$ , unless otherwise specified)

| Parameter                             | Symbol          | Condition | Min. | Typ. | Max. | Unit | Measuring circuit |
|---------------------------------------|-----------------|-----------|------|------|------|------|-------------------|
| Reset pulse width                     | $P_{RST}$       | —         | 2    | —    | —    | ms   | 1                 |
| P00 "H" level setup time              | $t_{SP00}$      | —         | 1    | —    | —    | ms   |                   |
| P00 "H" level hold time <sup>*1</sup> | $t_{HP00}^{*1}$ | —         | 1    | —    | —    | ms   |                   |

<sup>\*1</sup>: except ISP mode. Refer to the User's manual "25.4 In-System Programming Function" for the timing in ISP mode.



<sup>\*2</sup>:  $V_{DD}=1.6V$  or over at power on.

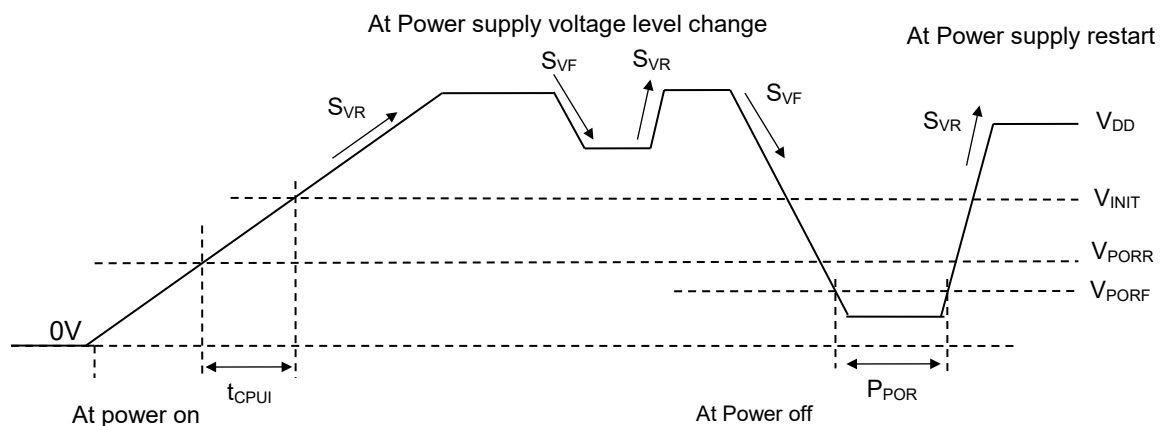
Note:

- RESET\_N input shorter pulse than the Reset pulse width ( $P_{RST}$ ) valid time should be avoided. The shorter pulse input may cause unexpected behavior.

## Slope of Power supply and Power On Reset

( $V_{SS} = 0V$ ,  $T_a = -40$  to  $+105^\circ C$ , unless otherwise specified)

| Parameter   | Symbol     | Condition               | Min. | Typ. | Max. | Unit    | Measuring circuit |
|---|------------|-------------------------|------|------|------|---------|-------------------|
| Power on rising slope   | $S_{VR}$   | —                       | —    | —    | 60   | V/ms    | 1                 |
| Power on falling slope  | $S_{VF}$   | —                       | —    | —    | 2    | V/ms    |                   |
| Power on reset detection voltage  | $V_{PORR}$ | At Power up (rising)    | 1.47 | 1.57 | 1.80 | V       |                   |
|   | $V_{PORF}$ | At Power down (falling) | 1.33 | 1.49 | 1.58 | V       |                   |
| Power on reset minimum pulse width  | $P_{POR}$  | —                       | 200  | —    | —    | $\mu s$ |                   |
| Power on voltage  | $V_{INIT}$ | At power on             | 1.8  | —    | —    | V       |                   |
| CPU operation start time (from the release of reset to the CPU starts to run) | $t_{CPU}$  | —                       | 11   | 16   | —    | ms      | —                 |



**Note:**

- If a pulse shorter than the Power on reset minimum pulse width is asserted to  $V_{DD}$ , it may cause the MCU malfunction. Apply prevent measurement such as bypass capacitors or external reset input, and so on.
- Start the high-speed clock when the  $V_{DD}$  is within the operating voltage.

## VLS

(V<sub>DD</sub>=1.6 to 5.5V, V<sub>SS</sub>=0V, Ta=-40 to +105°C, unless otherwise specified)

| Parameter                            | Symbol            | Condition             |         | Min. | Typ. | Max. | Unit | Measuring circuit |
|--------------------------------------|-------------------|-----------------------|---------|------|------|------|------|-------------------|
|                                      |                   | VLS0LV * <sup>1</sup> |         |      |      |      |      |                   |
| VLS threshold voltage * <sup>2</sup> | V <sub>VLSR</sub> | 00H                   | Rising  | 3.86 | 4.06 | 4.26 | V    | 1                 |
|                                      | V <sub>VLSF</sub> |                       | Falling | 3.84 | 4.00 | 4.16 |      |                   |
|                                      | V <sub>VLSR</sub> | 01H                   | Rising  | 3.57 | 3.76 | 3.95 |      |                   |
|                                      | V <sub>VLSF</sub> |                       | Falling | 3.55 | 3.70 | 3.85 |      |                   |
|                                      | V <sub>VLSR</sub> | 02H                   | Rising  | 2.94 | 3.11 | 3.28 |      |                   |
|                                      | V <sub>VLSF</sub> |                       | Falling | 2.92 | 3.05 | 3.18 |      |                   |
|                                      | V <sub>VLSR</sub> | 03H                   | Rising  | 2.85 | 3.01 | 3.17 |      |                   |
|                                      | V <sub>VLSF</sub> |                       | Falling | 2.83 | 2.95 | 3.07 |      |                   |
|                                      | V <sub>VLSR</sub> | 04H                   | Rising  | 2.75 | 2.91 | 3.07 |      |                   |
|                                      | V <sub>VLSF</sub> |                       | Falling | 2.73 | 2.85 | 2.97 |      |                   |
|                                      | V <sub>VLSR</sub> | 05H                   | Rising  | 2.66 | 2.81 | 2.96 |      |                   |
|                                      | V <sub>VLSF</sub> |                       | Falling | 2.64 | 2.75 | 2.86 |      |                   |
|                                      | V <sub>VLSR</sub> | 06H                   | Rising  | 2.56 | 2.71 | 2.86 |      |                   |
|                                      | V <sub>VLSF</sub> |                       | Falling | 2.54 | 2.65 | 2.76 |      |                   |
|                                      | V <sub>VLSR</sub> | 07H                   | Rising  | 2.46 | 2.61 | 2.76 |      |                   |
|                                      | V <sub>VLSF</sub> |                       | Falling | 2.44 | 2.55 | 2.66 |      |                   |
|                                      | V <sub>VLSR</sub> | 08H                   | Rising  | 2.37 | 2.51 | 2.65 |      |                   |
|                                      | V <sub>VLSF</sub> |                       | Falling | 2.35 | 2.45 | 2.55 |      |                   |
|                                      | V <sub>VLSR</sub> | 09H                   | Rising  | 1.98 | 2.11 | 2.24 |      |                   |
|                                      | V <sub>VLSF</sub> |                       | Falling | 1.96 | 2.05 | 2.14 |      |                   |
| V <sub>VLSR</sub>                    | 0AH               | Rising                | 1.89    | 2.01 | 2.13 |      |      |                   |
| V <sub>VLSF</sub>                    |                   | Falling               | 1.87    | 1.95 | 2.03 |      |      |                   |
| V <sub>VLSR</sub>                    | 0BH               | Rising                | 1.79    | 1.91 | 2.03 |      |      |                   |
| V <sub>VLSF</sub>                    |                   | Falling               | 1.77    | 1.85 | 1.93 |      |      |                   |
| VLS Current                          | I <sub>VLS</sub>  | —                     |         | —    | 50   | —    | nA   |                   |

\*<sup>1</sup> Bit3~Bit0 of voltage level detection circuit 0 level register (VLS0LV).\*<sup>2</sup> The Data VLS0LV = 0CH~0FH is not available to use, if the data is specified it will the same spec as that 0BH is specified.

## Analog Comparator

(V<sub>DD</sub>=1.8 to 5.5V, V<sub>SS</sub>=0V, Ta=-40 to +105°C, unless otherwise specified)

| Parameter                                 | Symbol             | Condition                       | Min. | Typ. | Max.                    | Unit | Measuring circuit |
|---|--------------------|---------------------------------|------|------|-------------------------|------|-------------------|
| Comparator same phase input voltage range | V <sub>CMR</sub>   | —                               | 0.1  | —    | V <sub>DD</sub><br>-1.5 | V    | 1                 |
| Comparator0 input offset                  | V <sub>CMOF</sub>  | Ta=+25°C, V <sub>DD</sub> =5.0V | —    | 5    | —                       | mV   |                   |
| Comparator Reference Voltage              | V <sub>CMREF</sub> | —                               | 0.75 | 0.8  | 0.85                    | V    |                   |

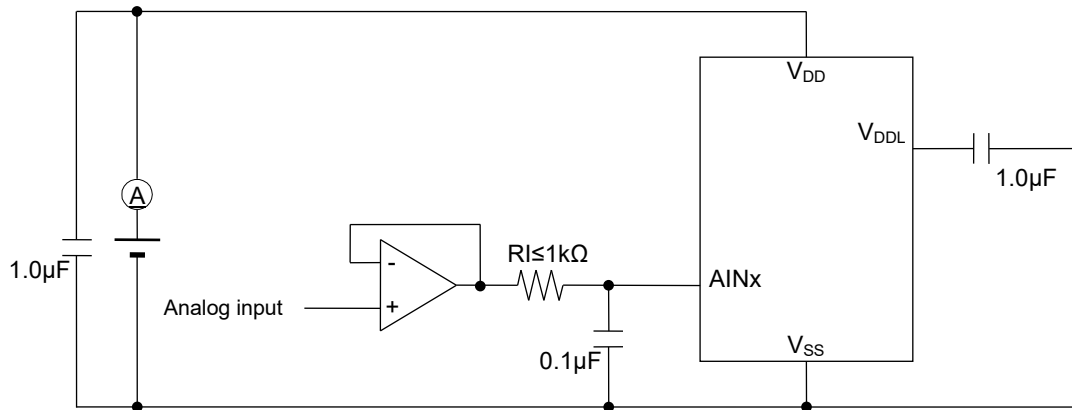
Successive Approximation Type A/D Converter

( $V_{DD}=1.8$  to  $5.5V$ ,  $V_{SS}=0V$ ,  $T_a=-40$  to  $+105^{\circ}C$ , unless otherwise specified)

| Parameter                        | Symbol     | Condition   | Min. | Typ. | Max.     | Unit    |
|----------------------------------|------------|---|------|------|----------|---------|
| Resolution                       | $n_{AD}$   | —   | —    | —    | 10       | bit     |
| Overall error                    | —          | $4.5V \leq \text{Reference voltage}^{*1} \leq 5.5V$ | -3.5 | 1.2  | 3.5      | LSB     |
| Integral non-linearity error     | $INL_{AD}$ | $2.7V \leq \text{Reference voltage}^{*1} \leq 5.5V$ | -4   | —    | 4        |         |
|                                  |            | $2.2V \leq \text{Reference voltage}^{*1} < 2.7V$    | -6   | —    | 6        |         |
|                                  |            | $1.8V \leq \text{Reference voltage}^{*1} < 2.2V$    | -10  | —    | 10       |         |
|                                  |            | Reference voltage = Internal reference voltage      | -15  | —    | 15       |         |
| Differential non-linearity error | $DNL_{AD}$ | $2.7V \leq \text{Reference voltage}^{*1} \leq 5.5V$ | -3   | —    | 3        |         |
|                                  |            | $2.2V \leq \text{Reference voltage}^{*1} < 2.7V$    | -5   | —    | 5        |         |
|                                  |            | $1.8V \leq \text{Reference voltage}^{*1} < 2.2V$    | -9   | —    | 9        |         |
|                                  |            | Reference voltage = Internal reference voltage      | -14  | —    | 14       |         |
| Zero-scale error                 | ZSE        | $R_I \leq 1k\Omega$                                 | -6   | —    | 6        |         |
| Full-scale error                 | FSE        | $R_I \leq 1k\Omega$                                 | -6   | —    | 6        |         |
| A/D reference voltage            | $V_{REF}$  | —   | 1.8  | —    | $V_{DD}$ | V       |
| Internal reference voltage       | $V_{REFI}$ | —   | 1.5  | 1.55 | 1.6      |         |
| Conversion time                  | $t_{CONV}$ | $4.5V \leq V_{DD} \leq 5.5V$                        | 2.25 | —    | 427      | $\mu s$ |
|                                  |            | $2.2V \leq V_{DD} \leq 5.5V$                        | 4.5  | —    | 427      |         |
|                                  |            | $1.8V \leq V_{DD} \leq 5.5V$                        | 18   | —    | 427      |         |

\*1 :  $V_{DD}$  or P23/ $V_{REF}$  is selected for the reference voltage of Successive Approximation Type A/D Converter by setting bit5( $V_{REFP1}$ ) and bit4( $V_{REFP0}$ ) of Reference voltage control register ( $V_{REFCON}$ ).

The current flows during the ADC sampling as it takes charging. Make the output impedance of the analog signal source  $1k\Omega$  or smaller. Also, putting  $0.1\mu F$  capacitor on the ADC input pin is recommended to reduce the noise.



## D/A Converter

(V<sub>DD</sub>=1.8 to 5.5V, V<sub>SS</sub>=0V, Ta=-40 to +105°C, unless otherwise specified)

| Parameter                        | Symbol            | Condition                                     | Min. | Typ. | Max. | Unit |
|----------------------------------|-------------------|---|------|------|------|------|
| Resolution                       | n <sub>DA</sub>   | —   | —    | —    | 8    | bit  |
| Conversion cycle                 | tc                | —   | 10   | —    | —    | μs   |
| Integral non-linearity error     | INL <sub>DA</sub> | RL=4MΩ  | -2   | —    | 2    | LSB  |
| Differential non-linearity error | DNL <sub>DA</sub> | RL=4MΩ  | -1   | —    | 1    |      |
| Output impedance                 | R <sub>o</sub>    | DACEN bit of D/A converter enable register =1 | 3    | 6    | 9    | kΩ   |

## Reference Voltage Output

(V<sub>DD</sub>=1.8 to 5.5V, V<sub>SS</sub>=0V, Ta=-40 to +105°C, unless otherwise specified)

| Parameter        | Symbol             | Condition | Min. | Typ. | Max. | Unit |
|------------------|--------------------|-----------|------|------|------|------|
| Output voltage   | V <sub>REFO</sub>  | —         | —    | 1.55 | —    | V    |
| Output impedance | R <sub>VREFO</sub> | —         | —    | —    | 500  | kΩ   |

## Flash Memory

(V<sub>SS</sub>= 0V)

| Parameter             | Symbol          | Condition                         | Range         | Unit     |
|-----------------------|-----------------|-----------------------------------|---------------|----------|
| Operating temperature | T <sub>OP</sub> | Data flash memory, At write/erase | -40 to +85    | °C       |
|                       |                 | Flash ROM, At write/erase         | 0 to +40      |          |
| Operating voltage     | V <sub>DD</sub> | At write/erase                    | +1.8 to +5.5  | V        |
| Maximum rewrite count | CEPD            | Data Flash                        | 10000         | times    |
|                       | CEPP            | Program Flash                     | 100           |          |
| Erase unit            | —               | Block erase                       | Program Flash | 16K      |
|                       |                 |                                   | Data Flash    | all area |
|                       | —               | Sector erase                      | Program Flash | 1K       |
|                       |                 |                                   | Data Flash    | 128      |
| Erase time (Max.)     | —               | Block erase / Sector erase        | 50            | ms       |
| Write unit            | —               | Program Flash                     | 4             | B        |
|                       |                 | Data Flash                        | 1             |          |
| Write time (Max.)     | —               | Program Flash                     | 80            | μs       |
|                       | —               | Data Flash                        | 40            |          |
| Data retention period | YDR             | —                                 | 15            | years    |



LCD Driver

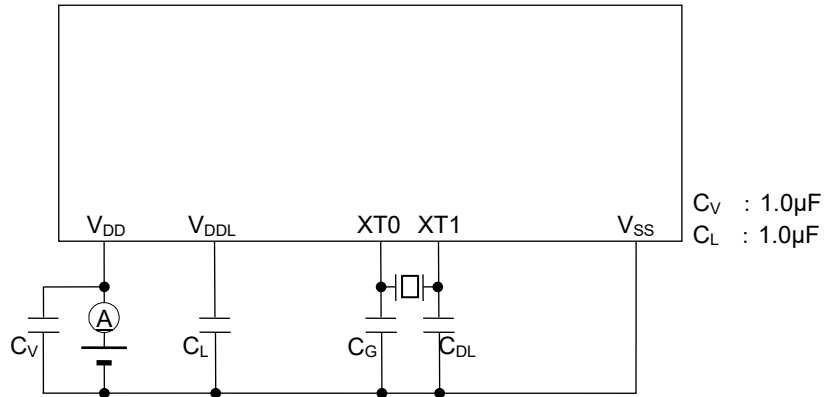
(V<sub>DD</sub>=1.8 to 5.5V, V<sub>SS</sub>=0V, Ta=-40 to +105°C, unless otherwise specified)

| Parameter                             | Symbol            | Condition  | Range                 |                     |       | Unit          | Measuring circuit |
|---------------------------------------|-------------------|--|-----------------------|---------------------|-------|---------------|-------------------|
|                                       |                   |  | LCN <sup>*1</sup>     | Min.                | Typ.  |               |                   |
| V <sub>L1</sub> Voltage               | V <sub>L1</sub>   | Ta=+25°C<br>C <sub>L1,L2,L3</sub> =1.0μF                           | 00H                   | Typ.<br>-0.05       | 0.950 | Typ.<br>+0.05 | V                 |
|                                       |                   |  | 01H                   |                     | 0.975 |               |                   |
|                                       |                   |  | 02H                   |                     | 1.000 |               |                   |
|                                       |                   |  | 03H                   |                     | 1.025 |               |                   |
|                                       |                   |  | 04H                   |                     | 1.050 |               |                   |
|                                       |                   |  | 05H                   |                     | 1.075 |               |                   |
|                                       |                   |  | 06H                   |                     | 1.100 |               |                   |
|                                       |                   |  | 07H                   |                     | 1.125 |               |                   |
|                                       |                   |  | 08H                   |                     | 1.150 |               |                   |
|                                       |                   |  | 09H                   |                     | 1.175 |               |                   |
|                                       |                   |  | 0AH                   |                     | 1.200 |               |                   |
|                                       |                   |  | 0BH                   |                     | 1.225 |               |                   |
|                                       |                   |  | 0CH                   |                     | 1.250 |               |                   |
|                                       |                   |  | 0DH                   |                     | 1.275 |               |                   |
|                                       |                   |  | 0EH                   |                     | 1.300 |               |                   |
|                                       |                   |  | 0FH                   |                     | 1.325 |               |                   |
|                                       |                   |  | 10H                   |                     | 1.350 |               |                   |
|                                       |                   |  | 11H                   |                     | 1.375 |               |                   |
|                                       |                   |  | 12H                   |                     | 1.400 |               |                   |
|                                       |                   |  | 13H                   |                     | 1.425 |               |                   |
| 14H                                   | 1.450             |  |                       |                     |       |               |                   |
| 15H                                   | 1.475             |  |                       |                     |       |               |                   |
| 16H                                   | 1.500             |  |                       |                     |       |               |                   |
| 17H                                   | 1.525             |  |                       |                     |       |               |                   |
| 18H                                   | 1.550             |  |                       |                     |       |               |                   |
| 19H                                   | 1.575             |  |                       |                     |       |               |                   |
| 1AH                                   | 1.600             |  |                       |                     |       |               |                   |
| 1BH                                   | 1.625             |  |                       |                     |       |               |                   |
| 1CH                                   | 1.650             |  |                       |                     |       |               |                   |
| 1DH                                   | 1.675             |  |                       |                     |       |               |                   |
| 1EH                                   | 1.700             |  |                       |                     |       |               |                   |
| 1FH                                   | 1.725             |  |                       |                     |       |               |                   |
| V <sub>L2</sub> Voltage               | V <sub>L2</sub>   | Ta=+25°C<br>C <sub>L1,C2,C3</sub> =1.0μF<br>C <sub>12</sub> =1.0μF | V <sub>L1</sub> x 1.8 | V <sub>L1</sub> x 2 | —     | V             |                   |
| V <sub>L3</sub> Voltage               | V <sub>L3</sub>   |  | V <sub>L1</sub> x 2.7 | V <sub>L1</sub> x 3 | —     |               |                   |
| Bias generation circuit start-up time | t <sub>BIAS</sub> |  | —                     | —                   | 200   | ms            |                   |

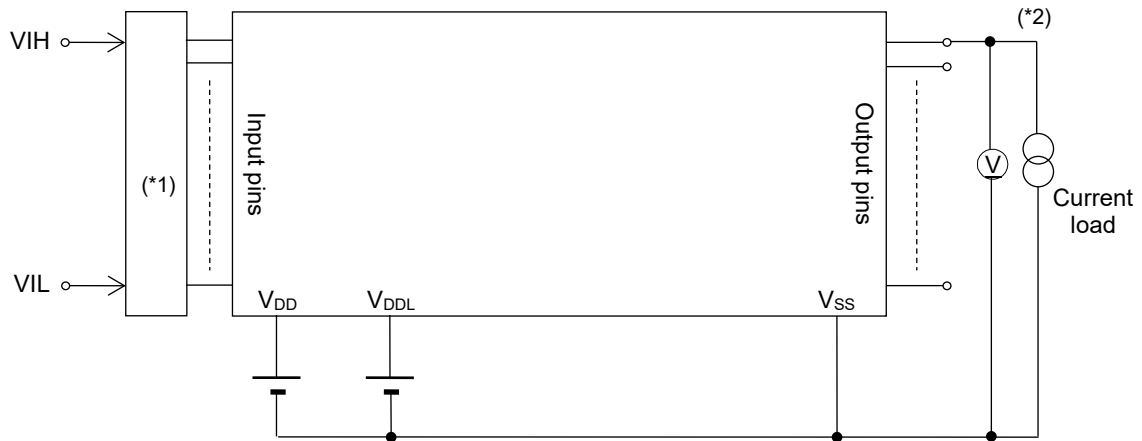
6

\*1: Value in LCN4~LCN0 bits of bias control register (BIASCON)

Measuring circuit  
Measuring circuit 1

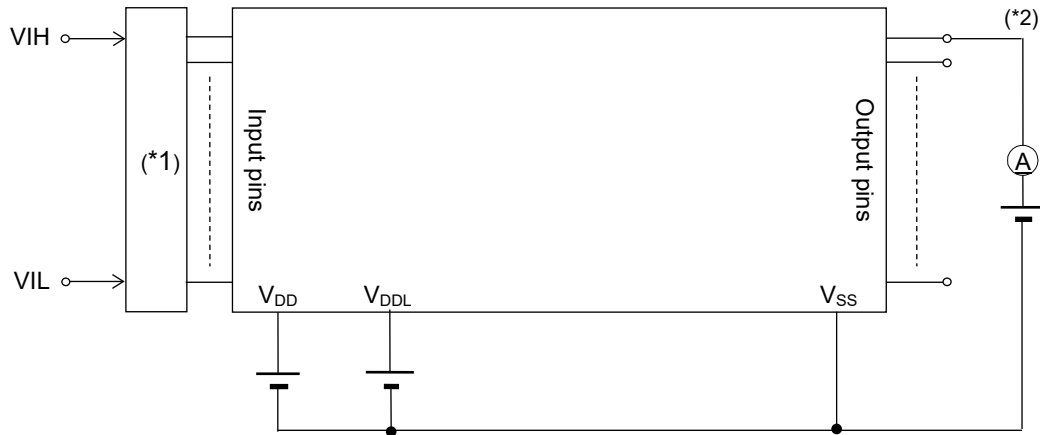


Measuring circuit 2



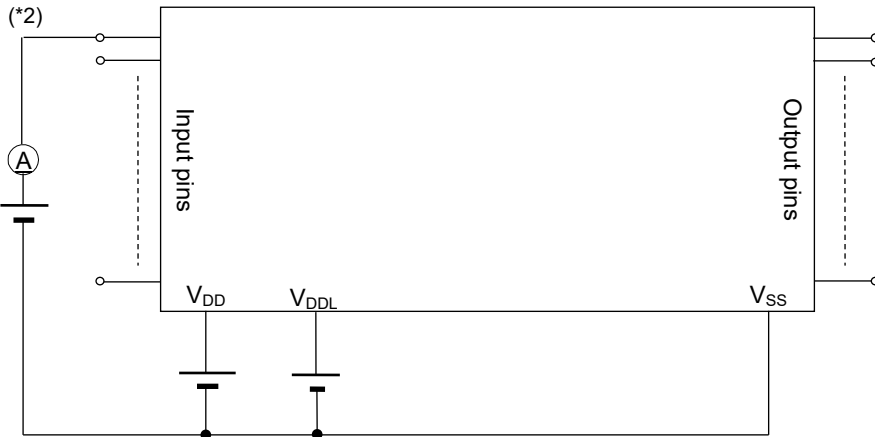
(\*1) Input logic circuit to determine the specified measuring conditions  
(\*2) Measured connecting specified pins

Measuring circuit 3



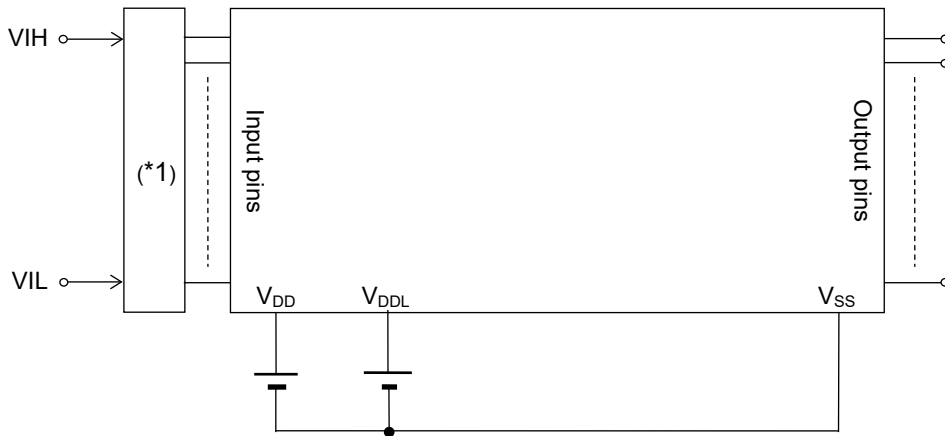
(\*1) Input logic circuit to determine the specified measuring conditions  
(\*2) Measured connecting specified pins

Measuring circuit 4



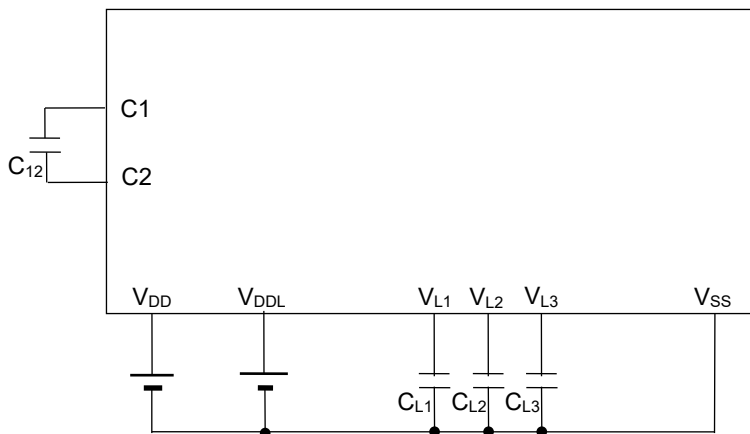
(\*)2 Measured connecting specified pins

Measuring circuit 5



(\*)1 Input logic circuit to determine the specified measuring conditions

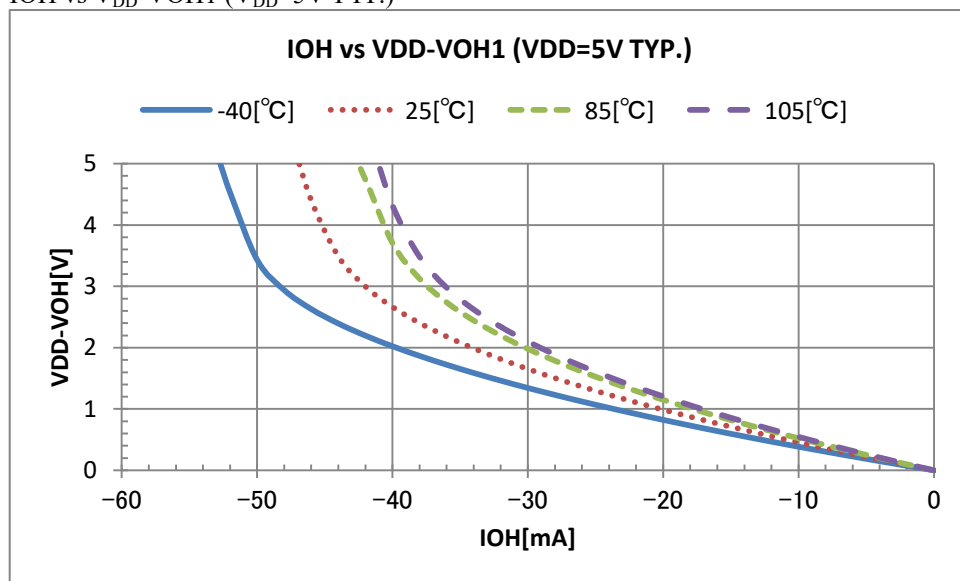
Measuring circuit 6



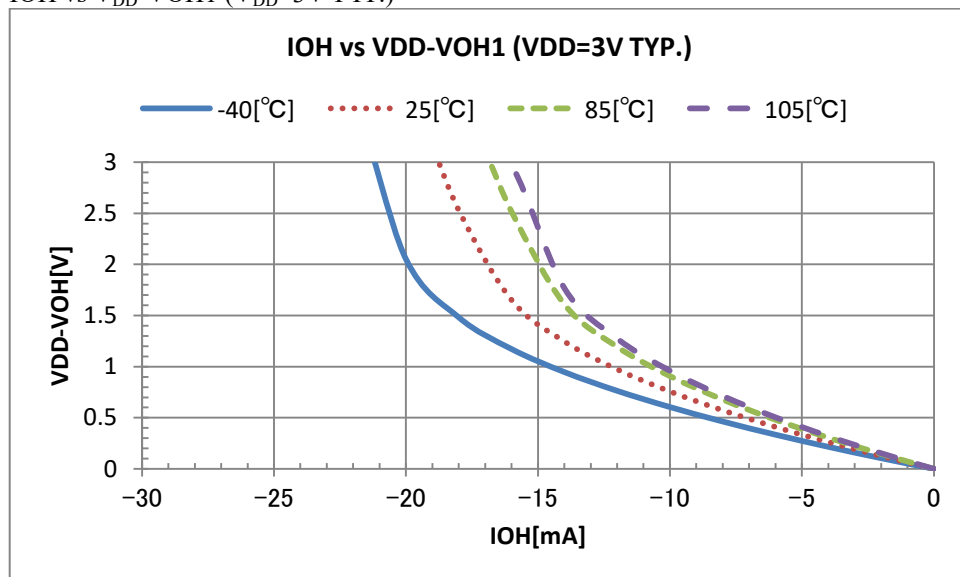
## Characteristics graphs

These Graphs on the following pages are references for designing an application.

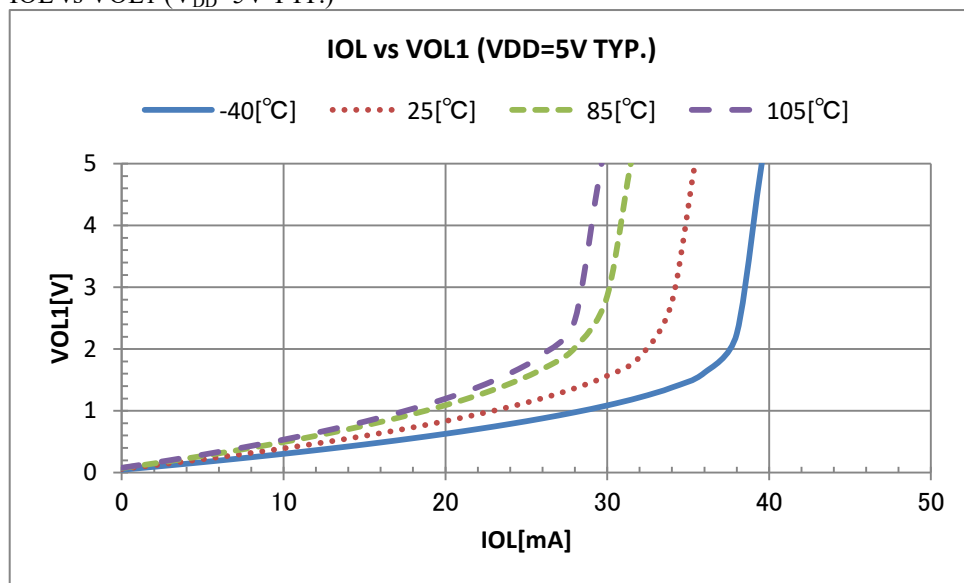
IOH vs V<sub>DD</sub>-VOH1 (V<sub>DD</sub>=5V TYP.)



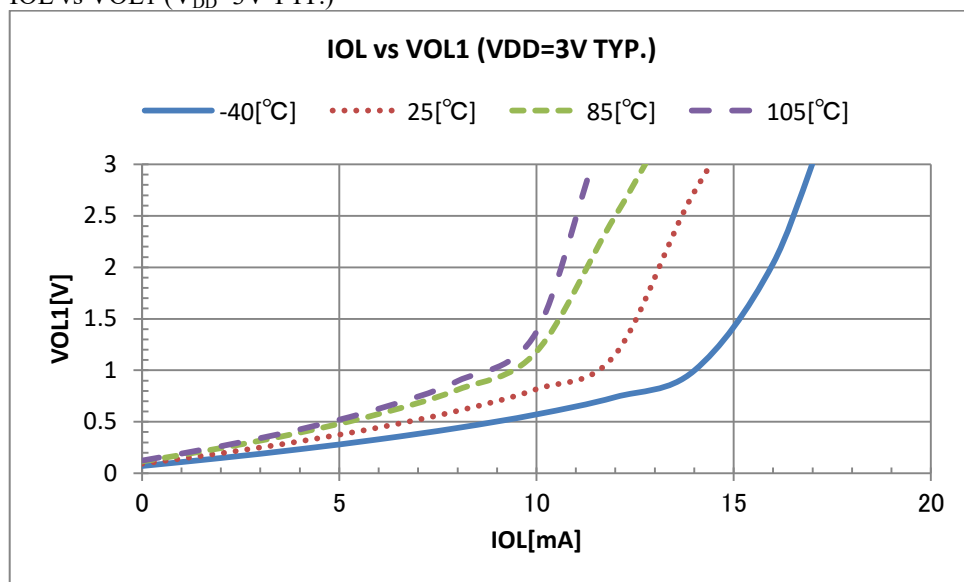
IOH vs V<sub>DD</sub>-VOH1 (V<sub>DD</sub>=3V TYP.)



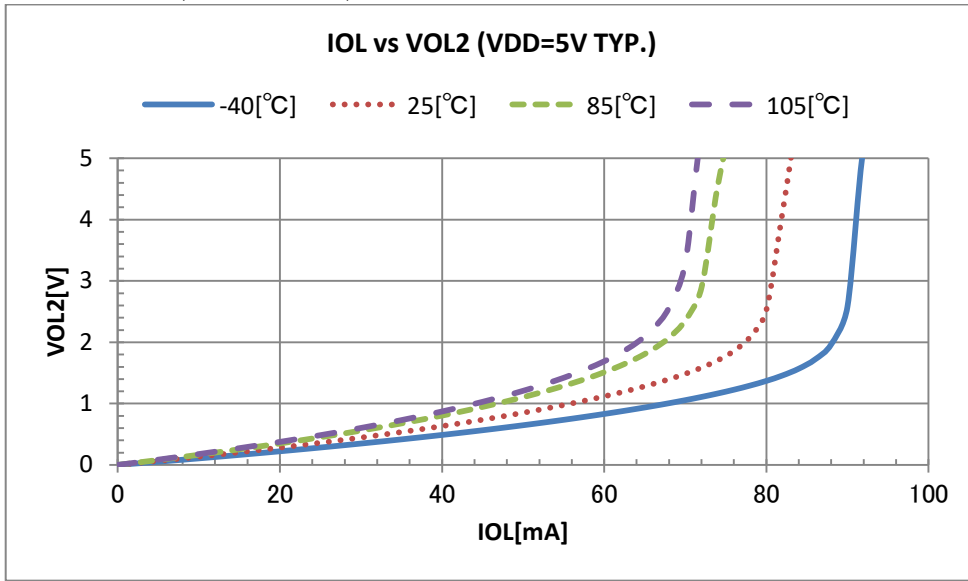
IOL vs VOL1 (V<sub>DD</sub>=5V TYP.)



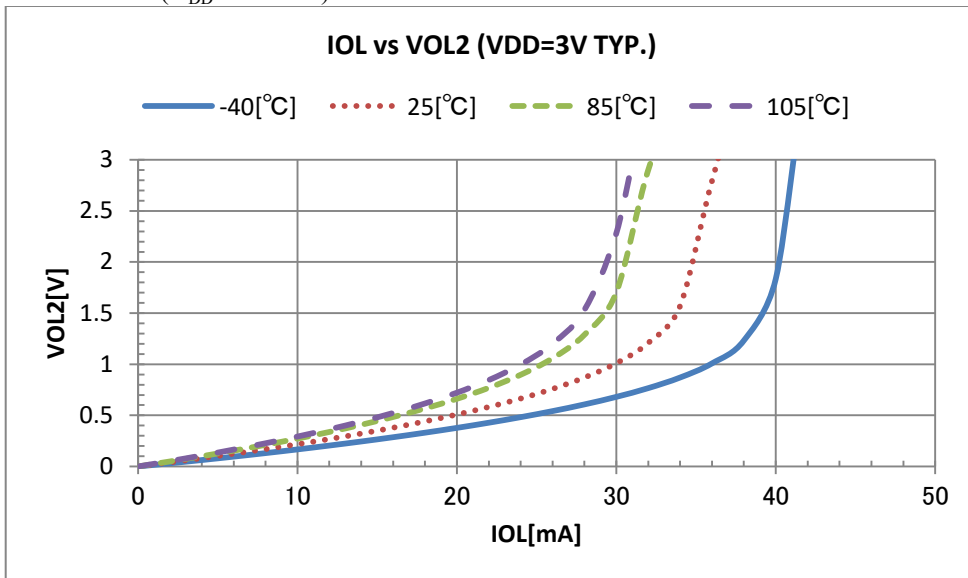
IOL vs VOL1 (V<sub>DD</sub>=3V TYP.)



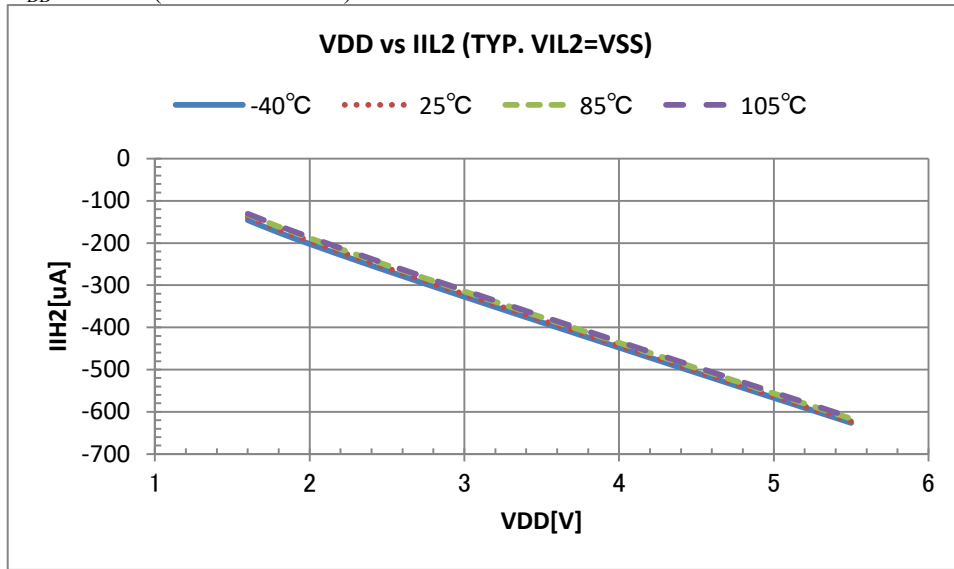
IOL vs VOL2 (V<sub>DD</sub>=5V TYP.)



IOL vs VOL2 (V<sub>DD</sub>=3V TYP.)

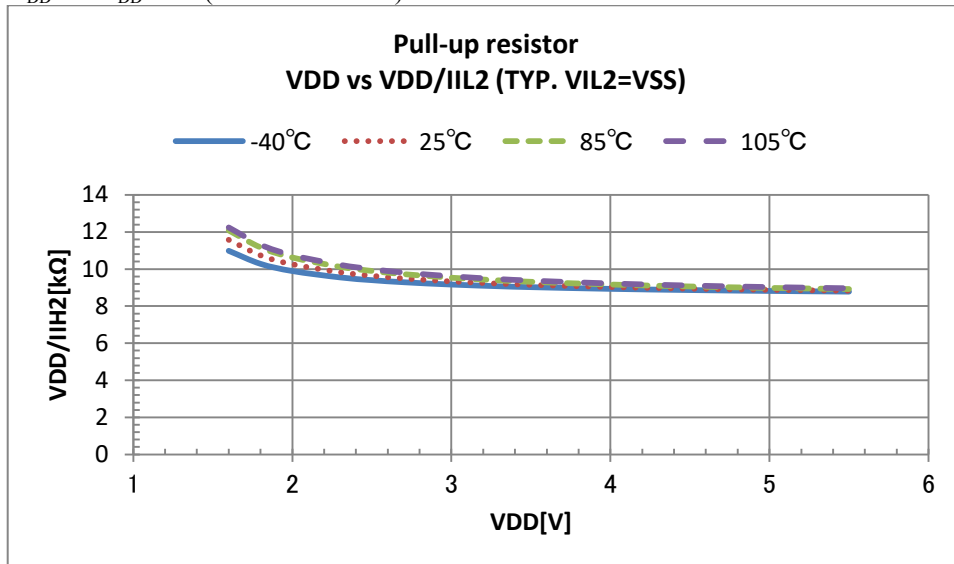


V<sub>DD</sub> VS I<sub>IH2</sub> (TYP. V<sub>IL2</sub>=V<sub>SS</sub>)



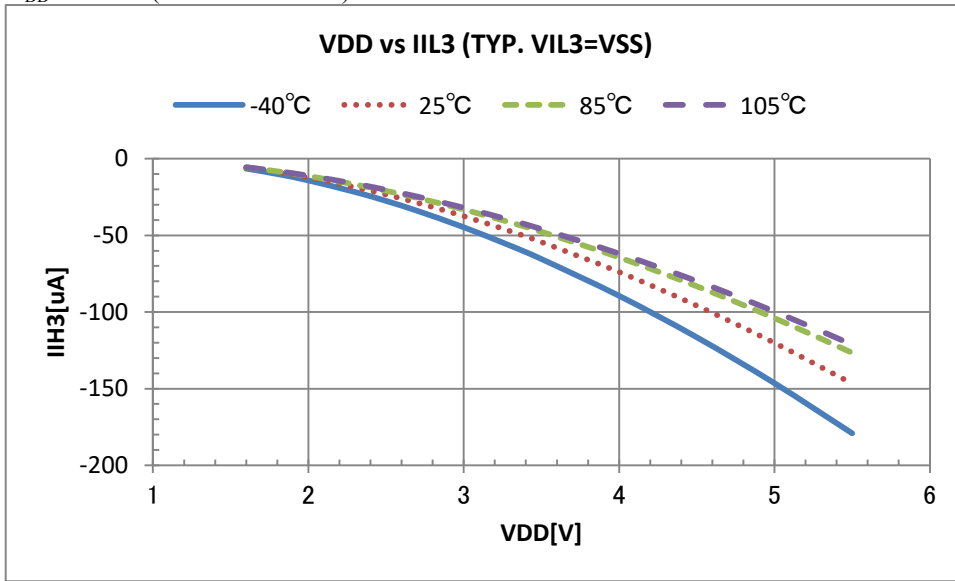
Pull-up resistor

V<sub>DD</sub> VS V<sub>DD</sub>/I<sub>IH2</sub> (TYP. V<sub>IL2</sub>=V<sub>SS</sub>)



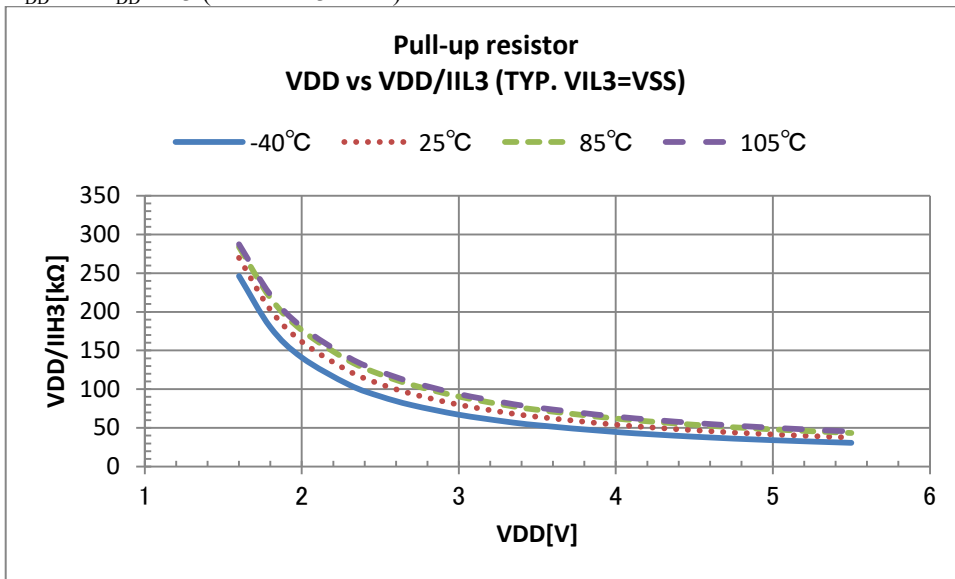


V<sub>DD</sub> VS I<sub>IH3</sub> (TYP. VIL3=VSS)



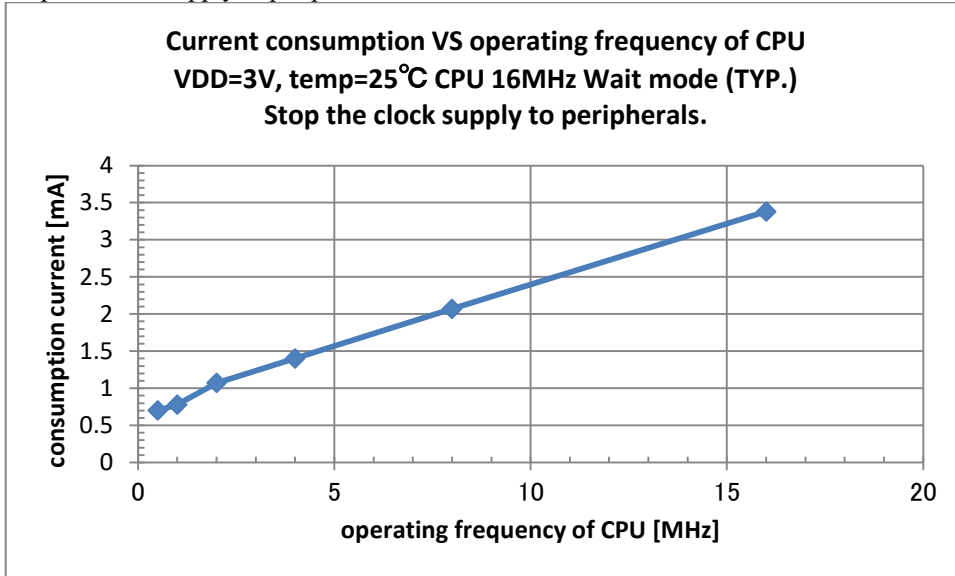
Pull-up resistor

V<sub>DD</sub> VS V<sub>DD</sub>/I<sub>IH3</sub> (TYP. VIL3=VSS)

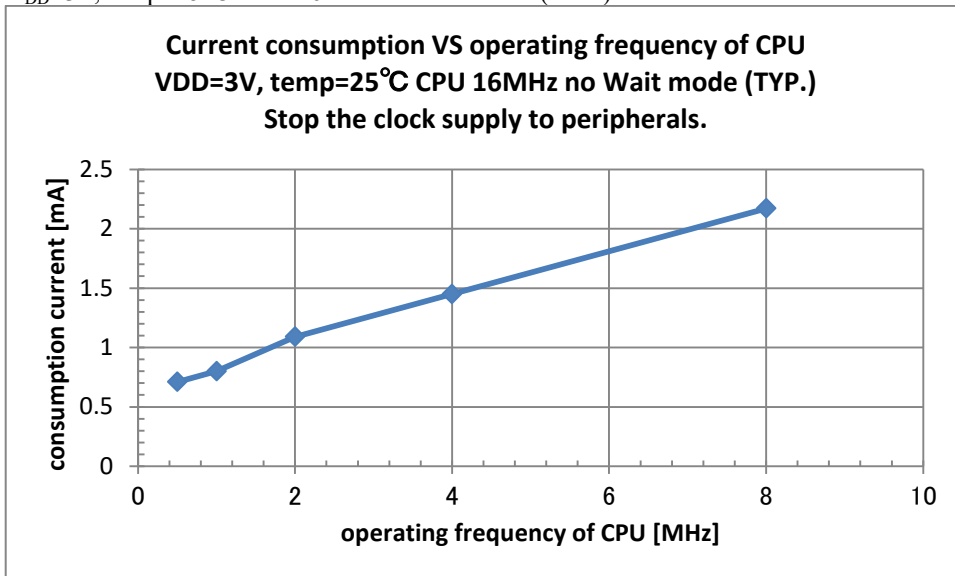


Product: ML62Q1700, ML62Q1701, ML62Q1702, ML62Q1703, ML62Q1704, ML62Q1710, ML62Q1711, ML62Q1712, ML62Q1713, ML62Q1714, ML62Q1720, ML62Q1721, ML62Q1722, ML62Q1723, ML62Q1724

Current consumption VS operating frequency of CPU  
 $V_{DD}=3V$ , temp= $25^{\circ}C$  CPU 16MHz Wait mode (TYP.)  
Stop the clock supply to peripherals.



$V_{DD}=3V$ , temp= $25^{\circ}C$  CPU 16MHz no Wait mode (TYP.)

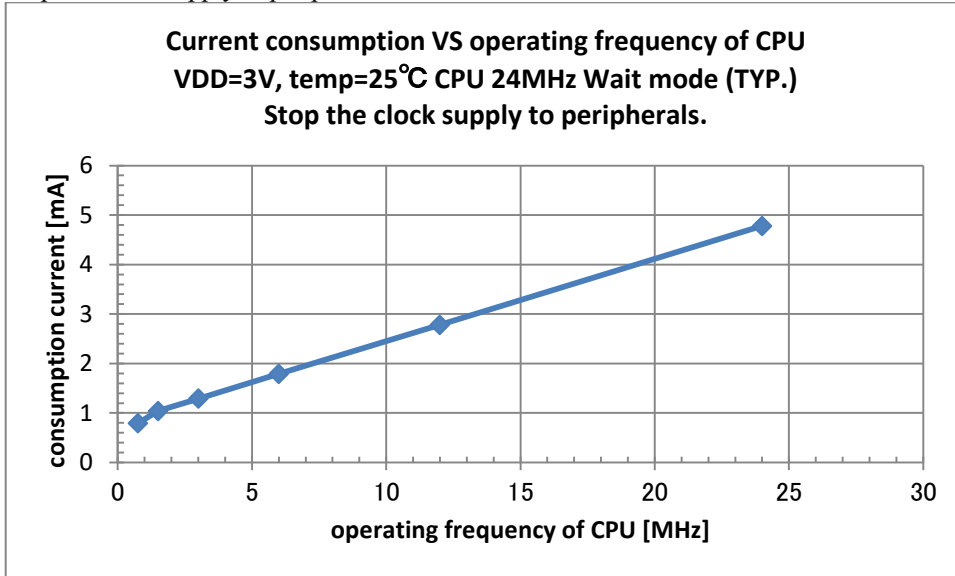


# LAPIS Semiconductor Co.,Ltd.

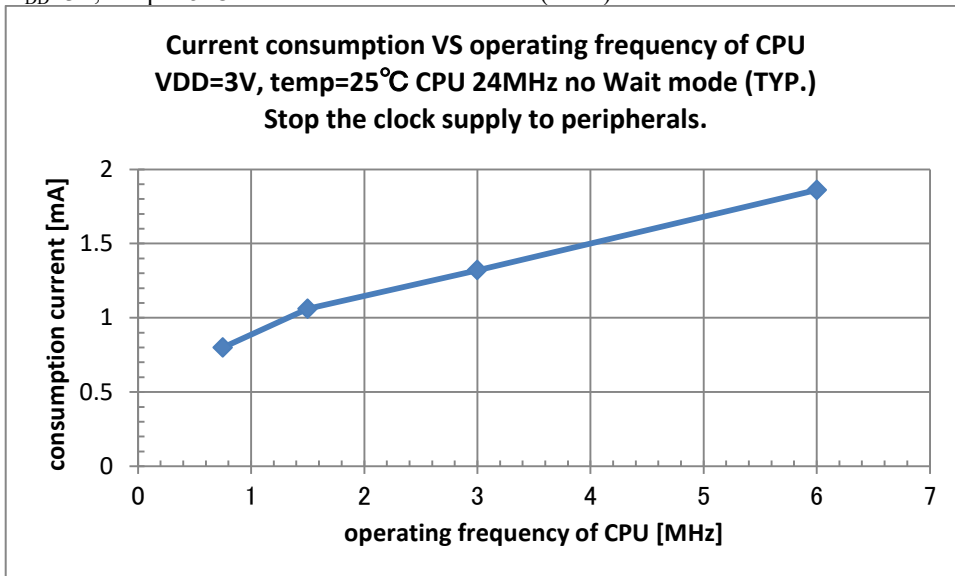
FEDL62Q1700-03

Product: ML62Q1700, ML62Q1701, ML62Q1702, ML62Q1703, ML62Q1704, ML62Q1710, ML62Q1711, ML62Q1712, ML62Q1713, ML62Q1714, ML62Q1720, ML62Q1721, ML62Q1722, ML62Q1723, ML62Q1724

Current consumption VS operating frequency of CPU  
 $V_{DD}=3V$ , temp= $25^{\circ}C$  CPU 24MHz Wait mode (TYP.)  
Stop the clock supply to peripherals.



$V_{DD}=3V$ , temp= $25^{\circ}C$  CPU 24MHz no Wait mode (TYP.)

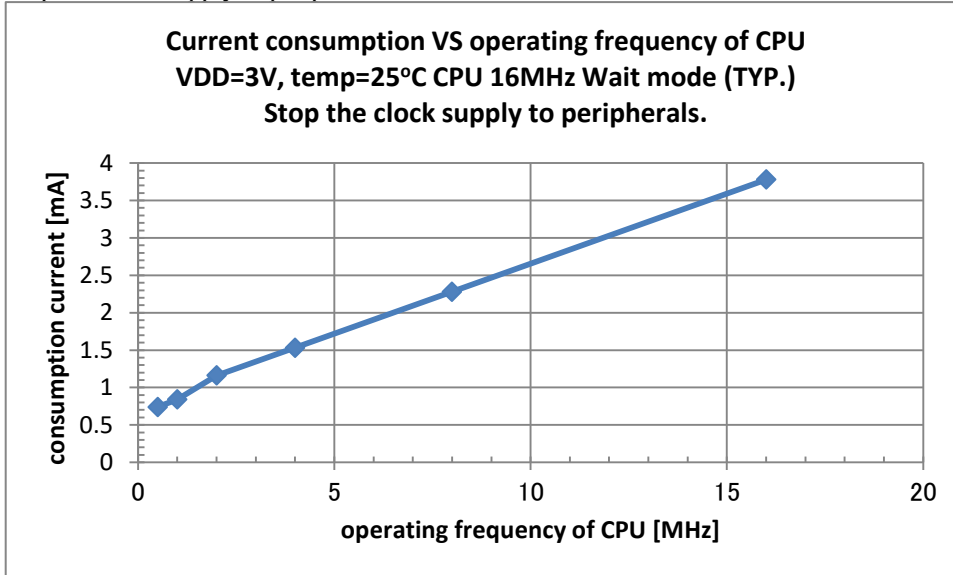


# LAPIS Semiconductor Co.,Ltd.

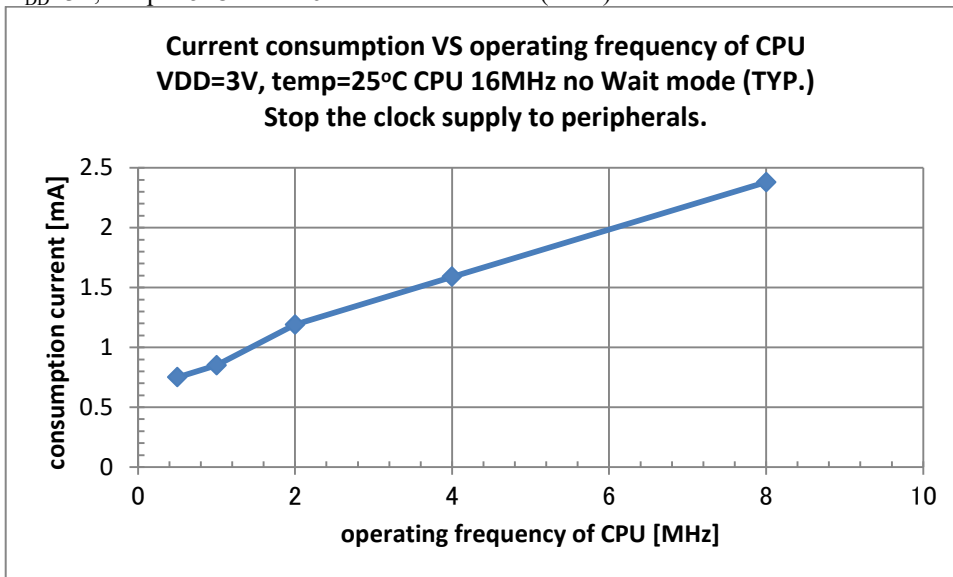
FEDL62Q1700-03

Product: ML62Q1725, ML62Q1726, ML62Q1727,  
ML62Q1733, ML62Q1734, ML62Q1735, ML62Q1736, ML62Q1737  
ML62Q1743, ML62Q1744, ML62Q1745, ML62Q1746, ML62Q1747

Current consumption VS operating frequency of CPU  
 $V_{DD}=3V$ , temp= $25^{\circ}C$  CPU 16MHz Wait mode (TYP.)  
Stop the clock supply to peripherals.



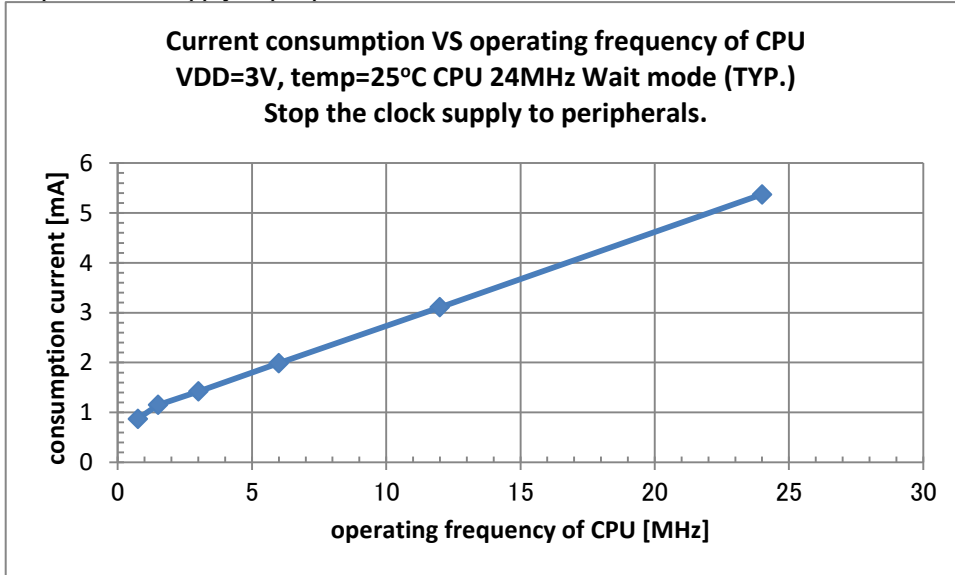
$V_{DD}=3V$ , temp= $25^{\circ}C$  CPU 16MHz no Wait mode (TYP.)



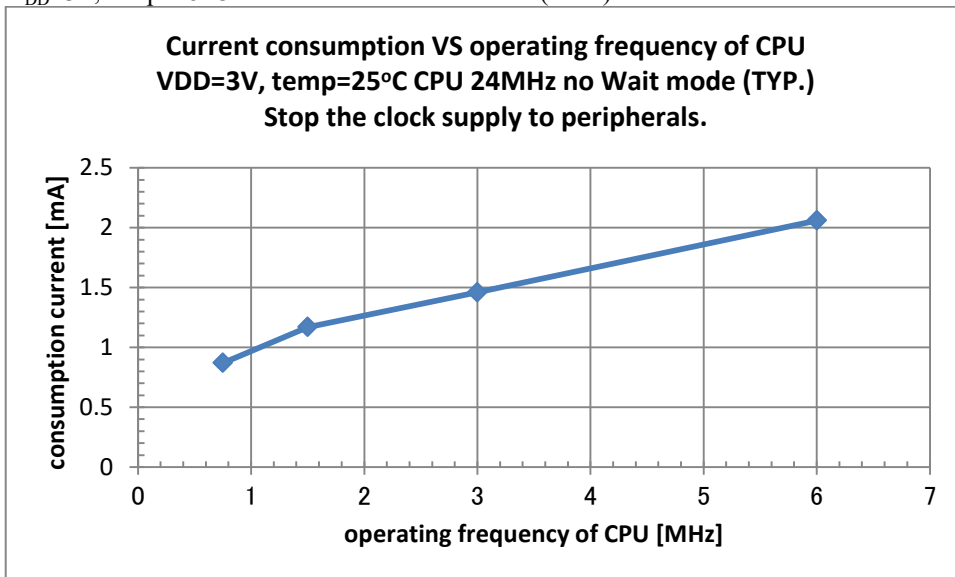
# LAPIS Semiconductor Co.,Ltd.

Product: ML62Q1725, ML62Q1726, ML62Q1727,  
ML62Q1733, ML62Q1734, ML62Q1735, ML62Q 1736, ML62Q1737  
ML62Q1743, ML62Q1744, ML62Q1745, ML62Q 1746, ML62Q1747

Current consumption VS operating frequency of CPU  
 $V_{DD}=3V$ , temp= $25^{\circ}C$  CPU 24MHz Wait mode (TYP.)  
Stop the clock supply to peripherals.

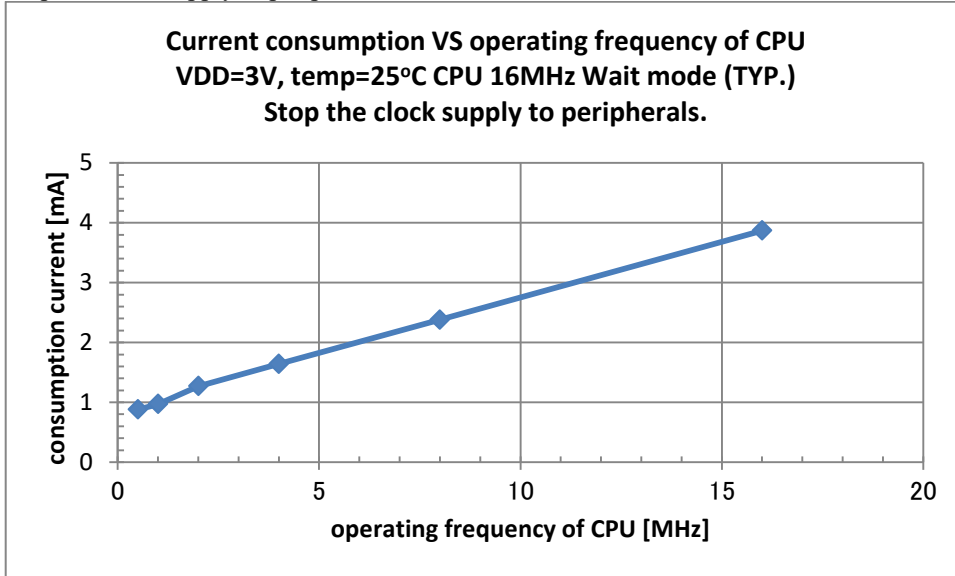


$V_{DD}=3V$ , temp= $25^{\circ}C$  CPU 24MHz no Wait mode (TYP.)

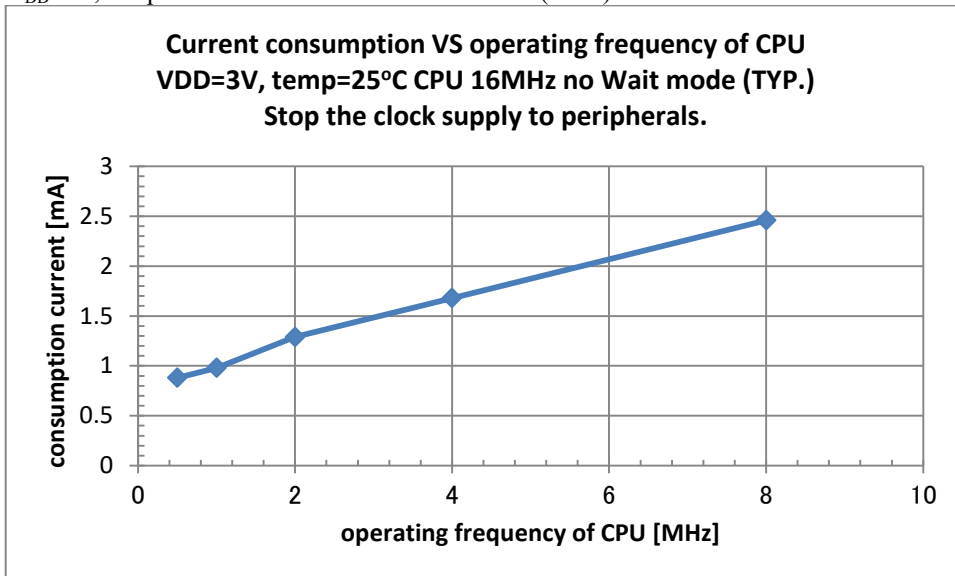


Product: ML62Q1728, ML62Q1729, ML62Q1738, ML62Q1739, ML62Q1748, ML62Q1749

Current consumption VS operating frequency of CPU  
 $V_{DD}=3V$ , temp= $25^{\circ}C$  CPU 16MHz Wait mode (TYP.)  
Stop the clock supply to peripherals.

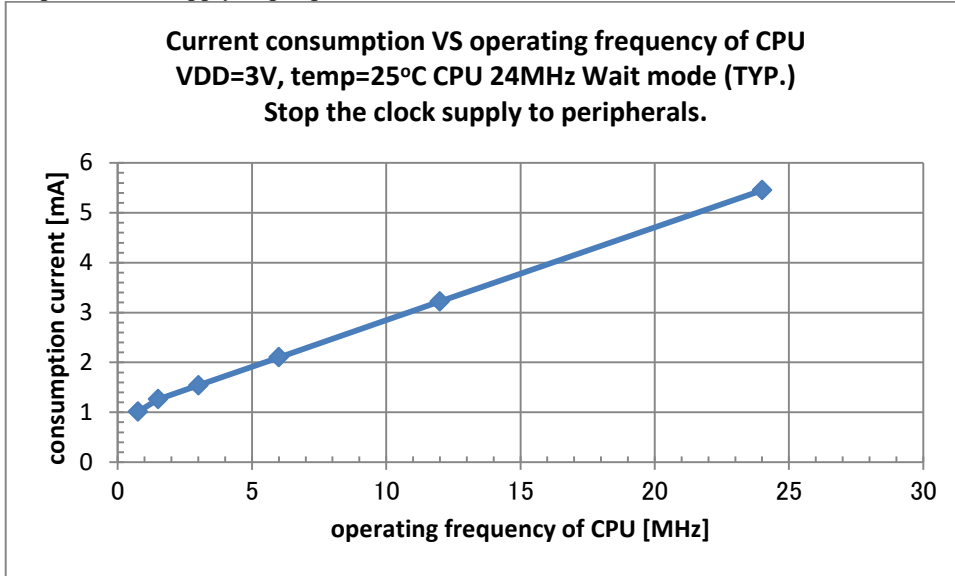


$V_{DD}=3V$ , temp= $25^{\circ}C$  CPU 16MHz no Wait mode (TYP.)

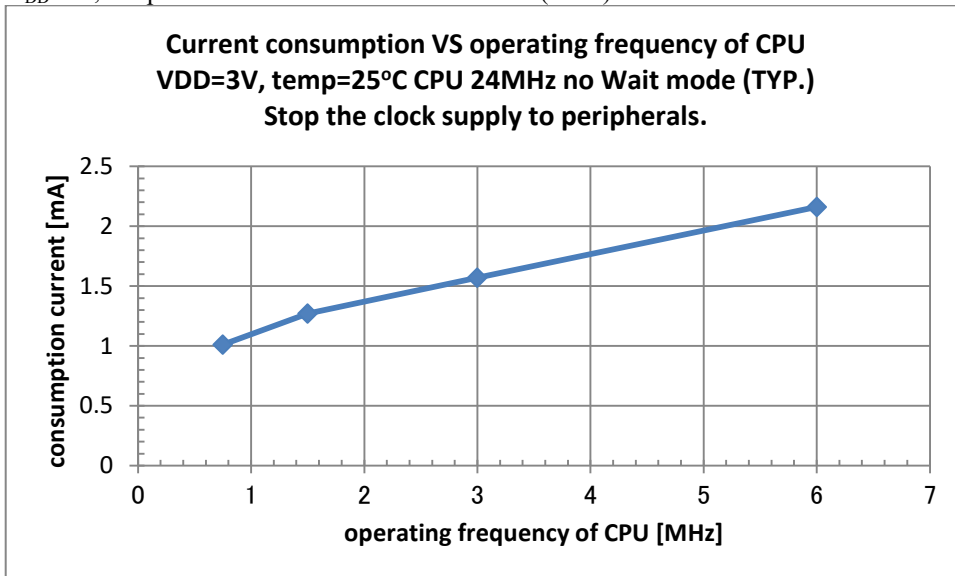


Product: ML62Q1728, ML62Q1729, ML62Q1738, ML62Q1739, ML62Q1748, ML62Q1749

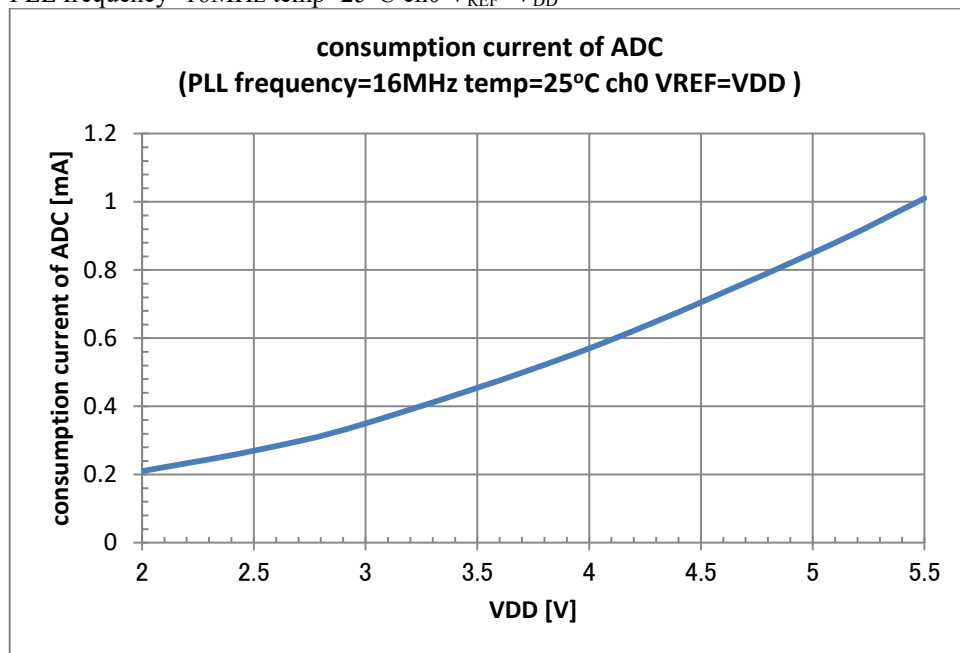
Current consumption VS operating frequency of CPU  
V<sub>DD</sub>=3V, temp=25°C CPU 24MHz Wait mode (TYP.)  
Stop the clock supply to peripherals.



V<sub>DD</sub>=3V, temp=25°C CPU 24MHz no Wait mode (TYP.)

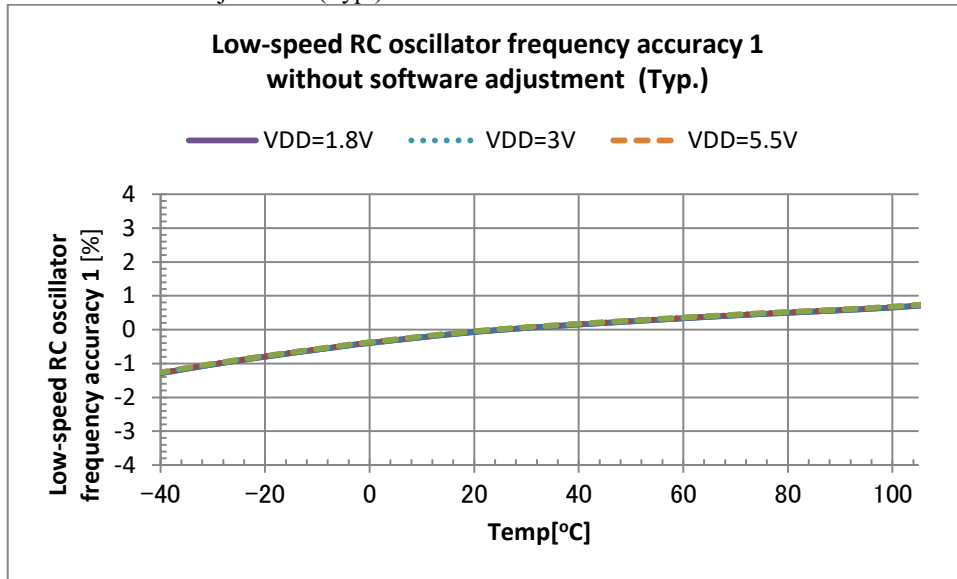


Consumption current of ADC VS operating voltage  
PLL frequency=16MHz temp=25°C ch0 V<sub>REF</sub>=V<sub>DD</sub>

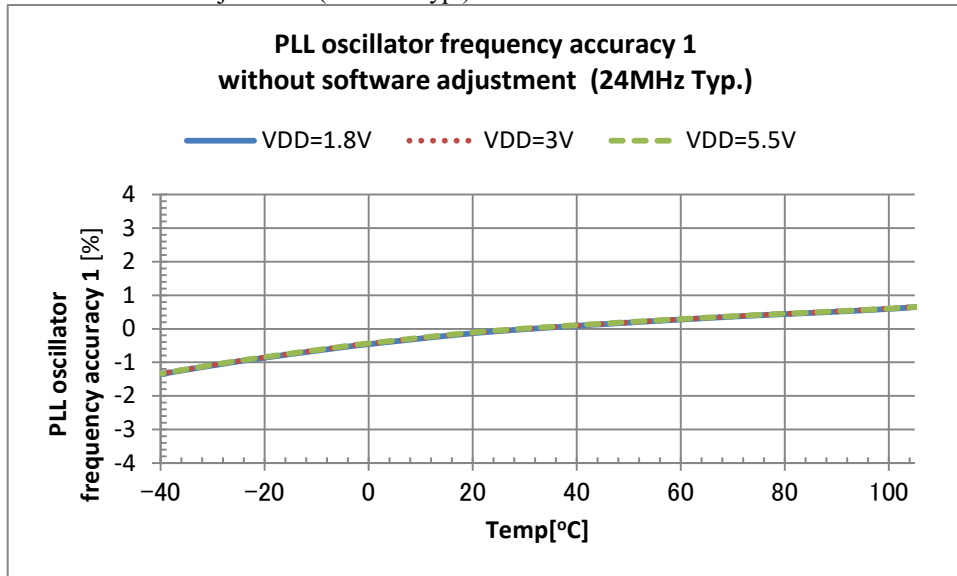




TEMP VS Low-speed RC oscillator frequency accuracy 1  
without software adjustment (Typ.)

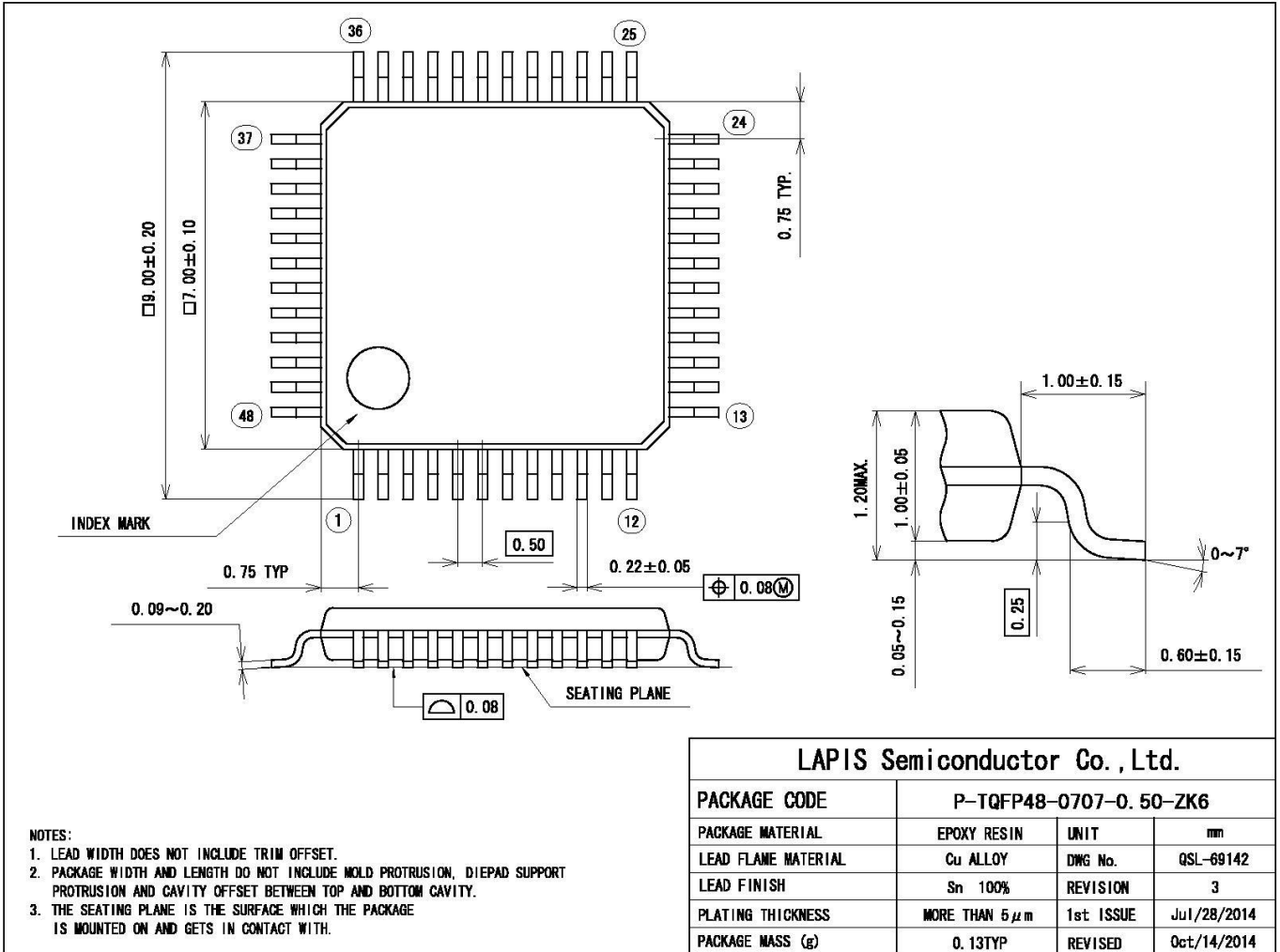


TEMP VS PLL oscillator frequency accuracy 1  
without software adjustment (24MHz Typ.)



PACKAGE DIMENSIONS

48pin TQFP Package

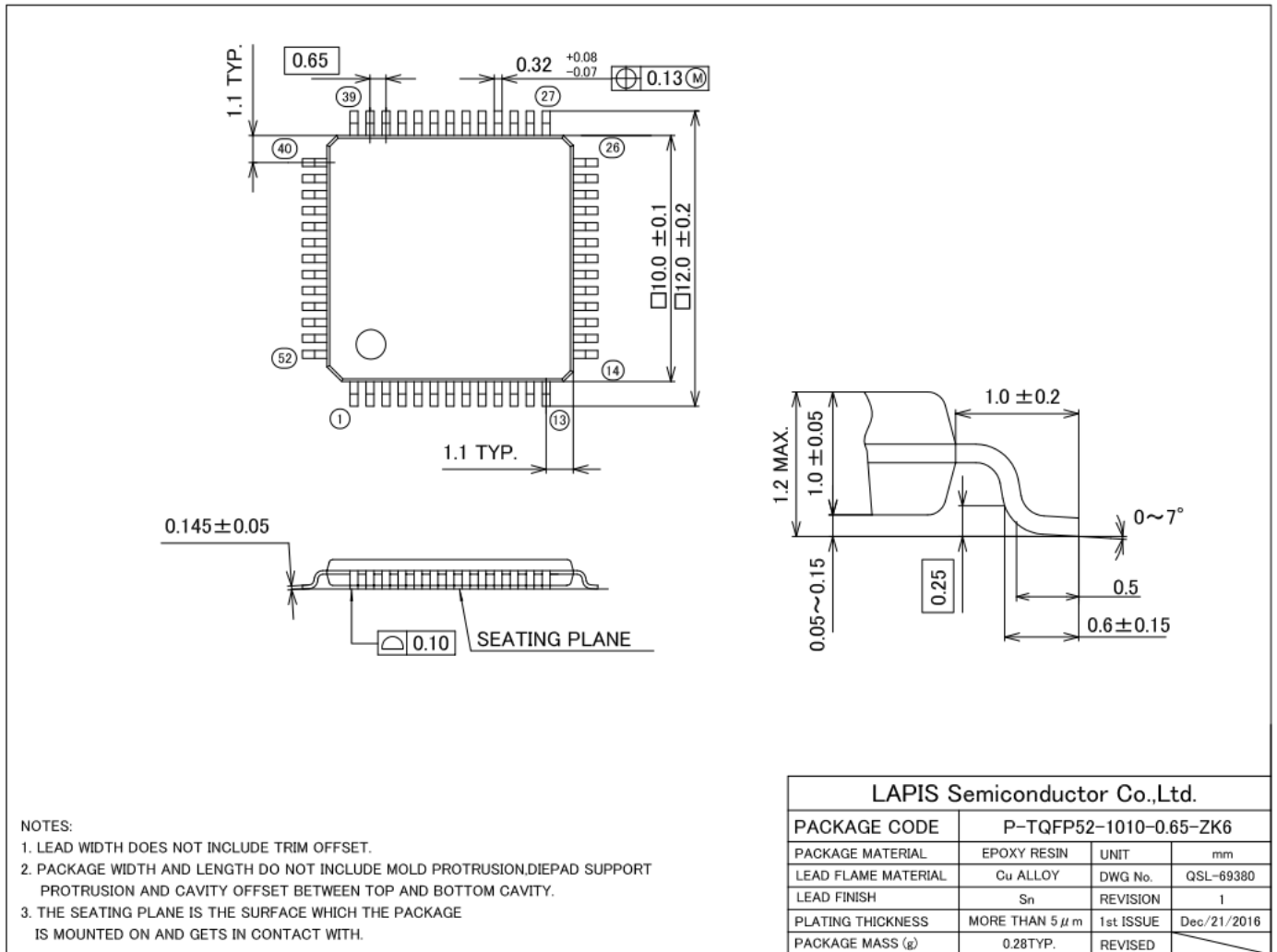


(Unit: mm)

Notes for Mounting the Surface Mount Type Package

The surface mount type packages are very susceptible to heat in reflow mounting and humidity absorbed in storage. Therefore, before you perform reflow mounting, contact a ROHM sales office for the product name, package name, pin number, package code and desired mounting conditions (reflow method, temperature and times).

52pin TQFP Package

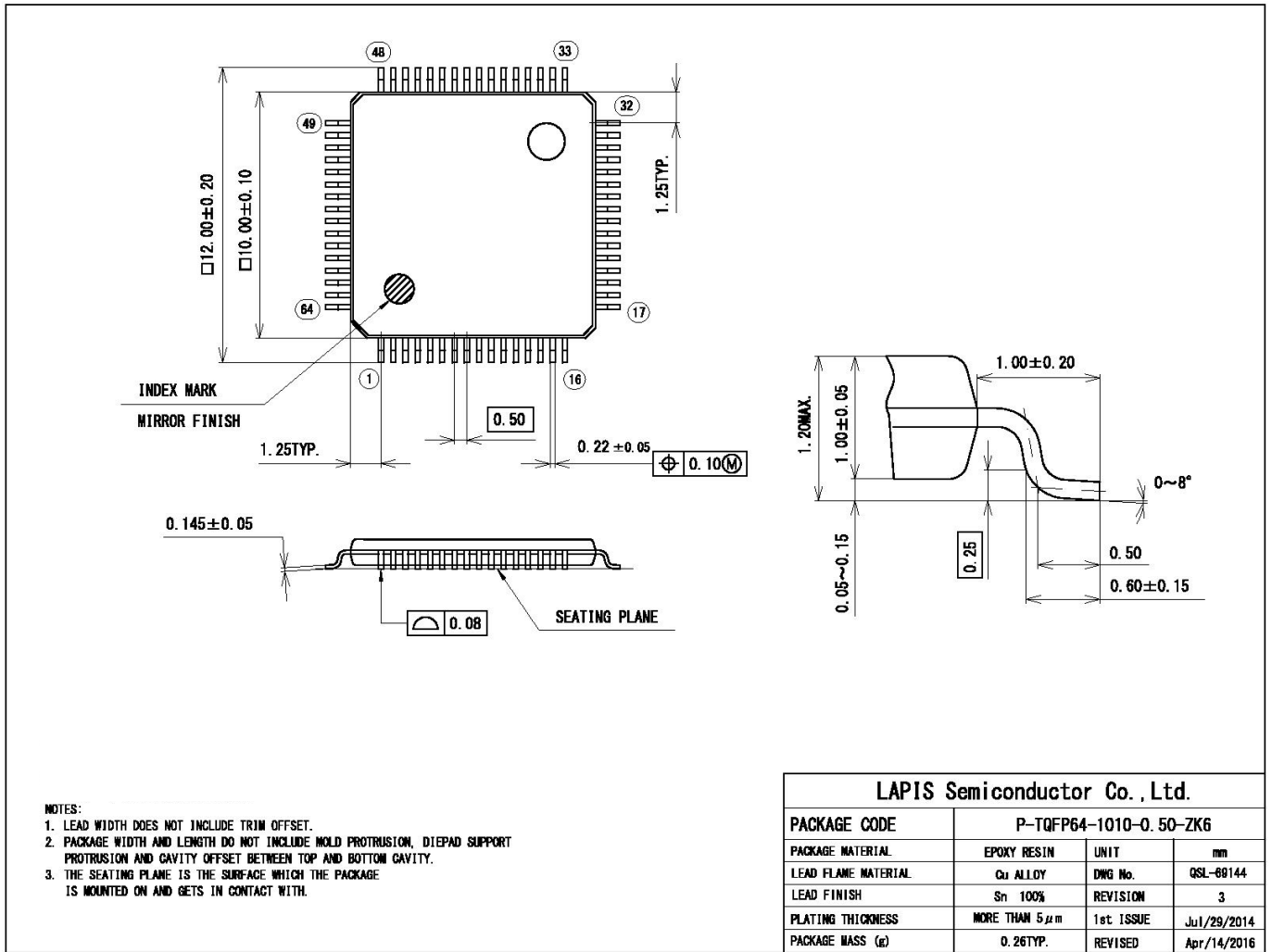


(Unit: mm)

Notes for Mounting the Surface Mount Type Package

The surface mount type packages are very susceptible to heat in reflow mounting and humidity absorbed in storage. Therefore, before you perform reflow mounting, contact a ROHM sales office for the product name, package name, pin number, package code and desired mounting conditions (reflow method, temperature and times).

64pin TQFP Package

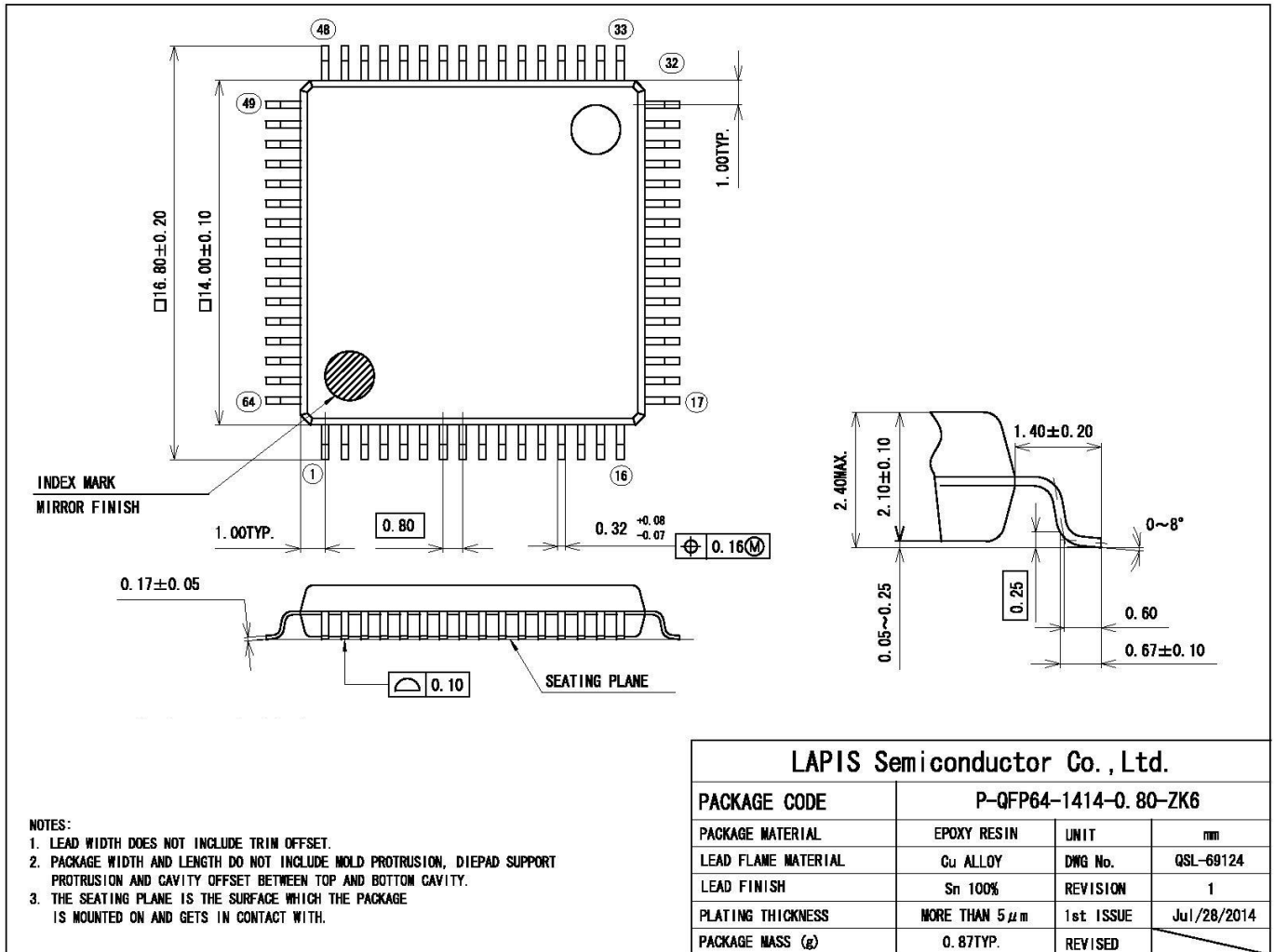


(Unit: mm)

Notes for Mounting the Surface Mount Type Package

The surface mount type packages are very susceptible to heat in reflow mounting and humidity absorbed in storage. Therefore, before you perform reflow mounting, contact a ROHM sales office for the product name, package name, pin number, package code and desired mounting conditions (reflow method, temperature and times).

64pin QFP Package

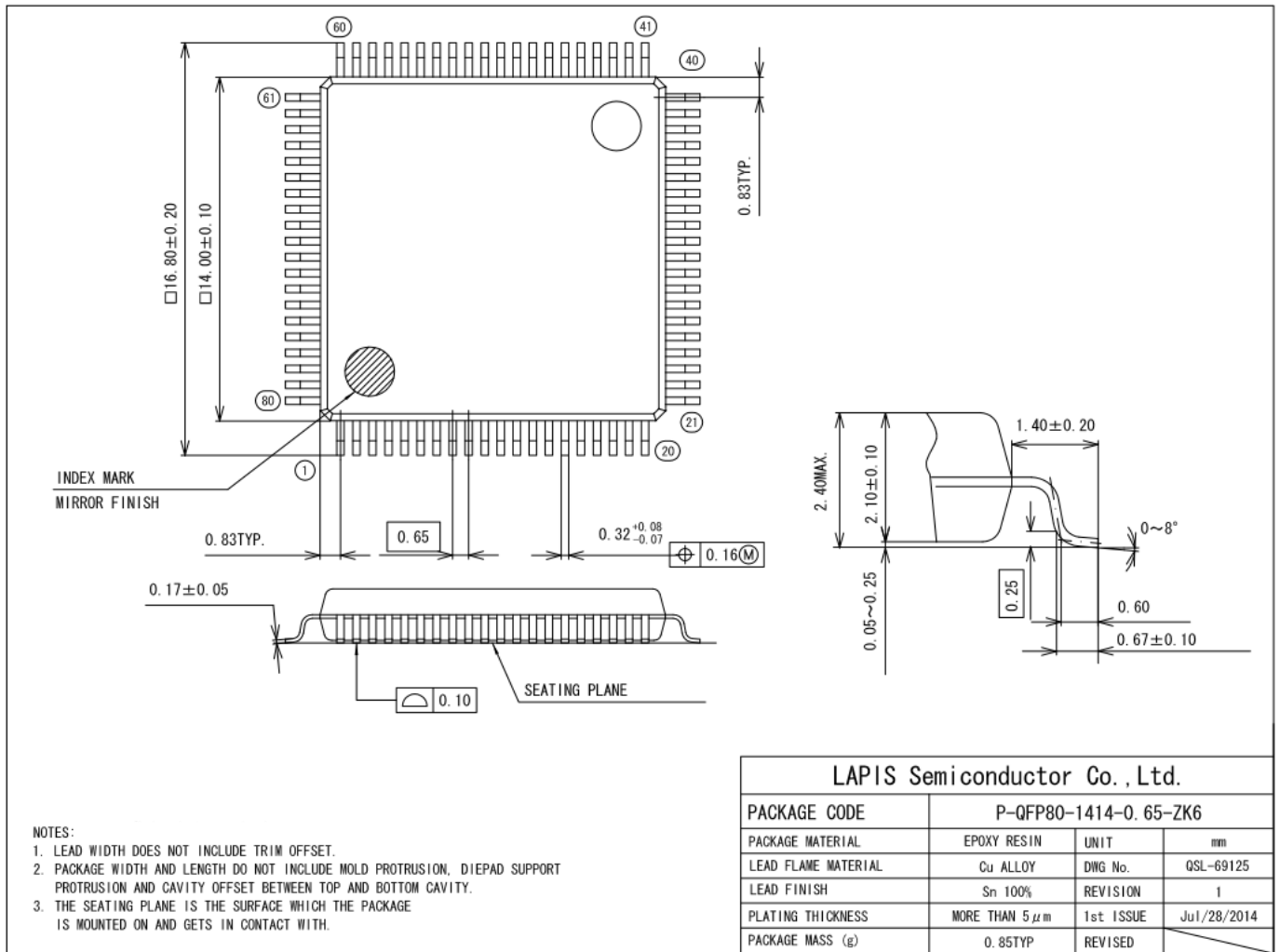


(Unit: mm)

Notes for Mounting the Surface Mount Type Package

The surface mount type packages are very susceptible to heat in reflow mounting and humidity absorbed in storage. Therefore, before you perform reflow mounting, contact a ROHM sales office for the product name, package name, pin number, package code and desired mounting conditions (reflow method, temperature and times).

80pin QFP Package

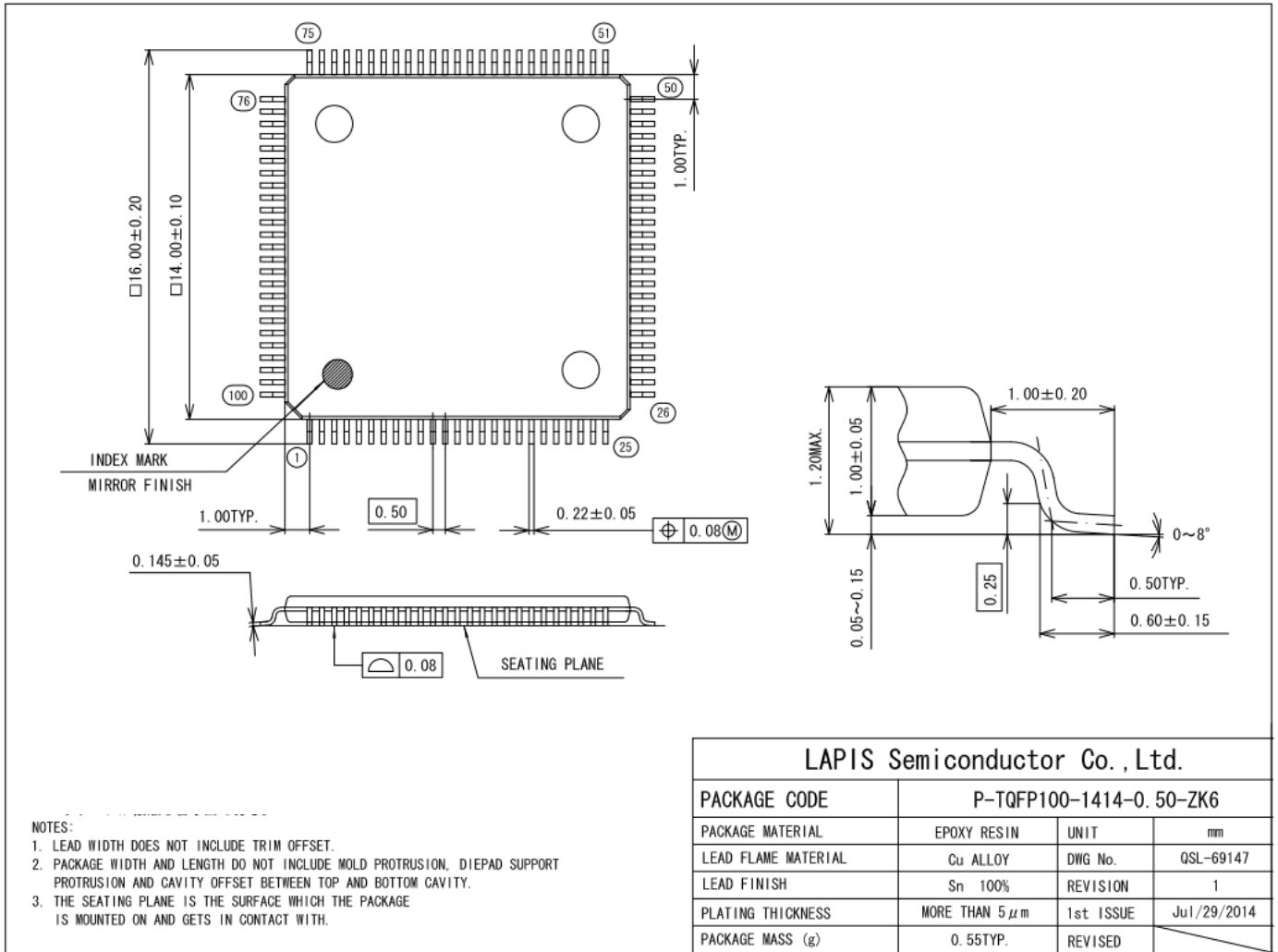


(Unit: mm)

Notes for Mounting the Surface Mount Type Package

The surface mount type packages are very susceptible to heat in reflow mounting and humidity absorbed in storage. Therefore, before you perform reflow mounting, contact a ROHM sales office for the product name, package name, pin number, package code and desired mounting conditions (reflow method, temperature and times).

100pin TQFP Package



NOTES:

1. LEAD WIDTH DOES NOT INCLUDE TRIM OFFSET.
2. PACKAGE WIDTH AND LENGTH DO NOT INCLUDE MOLD PROTRUSION, DIEPAD SUPPORT PROTRUSION AND CAVITY OFFSET BETWEEN TOP AND BOTTOM CAVITY.
3. THE SEATING PLANE IS THE SURFACE WHICH THE PACKAGE IS MOUNTED ON AND GETS IN CONTACT WITH.

(Unit: mm)

Notes for Mounting the Surface Mount Type Package

The surface mount type packages are very susceptible to heat in reflow mounting and humidity absorbed in storage. Therefore, before you perform reflow mounting, contact a ROHM sales office for the product name, package name, pin number, package code and desired mounting conditions (reflow method, temperature and times).





## REVISION HISTORY

| Document No.   | Date         | Page             |                 | Description  |
|----------------|--------------|------------------|-----------------|--|
|                |              | Previous Edition | Current Edition |  |
| FEDL62Q1700-01 | May 24, 2019 | -                | -               | 1 <sup>st</sup> Revision.  |
| FEDL62Q1700-02 | Mar 25, 2020 | 25               | 26              | Changed termination of unused pins   |
|                |              | 27               | 27              | Added parameter "Operating temperature(Chip-Junction)" in Recommended Operating Conditions   |
|                |              | 27               | —               | Removed the section "Operation Confirmed Crystal Unit(32.768kHz)".<br>This section is mentioned in Applications Note;<br>"Operation-confirmed oscillator for ML62Q1000 series".  |
|                |              | —                | 28              | Added thermal characteristics section  |
|                |              | 42               | 43              | Added comments and notes to the reset characteristics  |
|                |              | 42               | 44              | Revised overall of "Power On Reset" section as "Slope of Power supply and Power On Reset" section.<br>The major revisions are<br>Added definitions of Power on rising/falling slope, Power on voltage, CPU operation start time, and added Note. |
|                |              | *                | *               | Corrected typo   |
| FEDL62Q1700-03 | Jul 15, 2020 | 4,8,9            | 4,8,9           | Changed comment for UART.  |
|                |              | 23               | 23              | Corrected description of SA-ADC in Table 4.  |
|                |              | 27               | 27              | Corrected comment in the parameter "Output voltage2"   |

## Notes

- 1) The information contained herein is subject to change without notice.
- 2) Although LAPIS Semiconductor is continuously working to improve product reliability and quality, semiconductors can break down and malfunction due to various factors. Therefore, in order to prevent personal injury or fire arising from failure, please take safety measures such as complying with the derating characteristics, implementing redundant and fire prevention designs, and utilizing backups and fail-safe procedures. LAPIS Semiconductor shall have no responsibility for any damages arising out of the use of our Products beyond the rating specified by LAPIS Semiconductor.
- 3) Examples of application circuits, circuit constants and any other information contained herein are provided only to illustrate the standard usage and operations of the Products. The peripheral conditions must be taken into account when designing circuits for mass production.
- 4) The technical information specified herein is intended only to show the typical functions of the Products and examples of application circuits for the Products. No license, expressly or implied, is granted hereby under any intellectual property rights or other rights of LAPIS Semiconductor or any third party with respect to the information contained in this document; therefore LAPIS Semiconductor shall have no responsibility whatsoever for any dispute, concerning such rights owned by third parties, arising out of the use of such technical information.
- 5) The Products are intended for use in general electronic equipment (i.e. AV/OA devices, communication, consumer systems, gaming/entertainment sets) as well as the applications indicated in this document.
- 6) The Products specified in this document are not designed to be radiation tolerant.
- 7) For use of our Products in applications requiring a high degree of reliability (as exemplified below), please contact and consult with a LAPIS Semiconductor representative: transportation equipment (i.e. cars, ships, trains), primary communication equipment, traffic lights, fire/crime prevention, safety equipment, medical systems, servers, solar cells, and power transmission systems.
- 8) Do not use our Products in applications requiring extremely high reliability, such as aerospace equipment, nuclear power control systems, and submarine repeaters.
- 9) LAPIS Semiconductor shall have no responsibility for any damages or injury arising from non-compliance with the recommended usage conditions and specifications contained herein.
- 10) LAPIS Semiconductor has used reasonable care to ensure the accuracy of the information contained in this document. However, LAPIS Semiconductor does not warrant that such information is error-free and LAPIS Semiconductor shall have no responsibility for any damages arising from any inaccuracy or misprint of such information.
- 11) Please use the Products in accordance with any applicable environmental laws and regulations, such as the RoHS Directive. For more details, including RoHS compatibility, please contact a ROHM sales office. LAPIS Semiconductor shall have no responsibility for any damages or losses resulting non-compliance with any applicable laws or regulations.
- 12) When providing our Products and technologies contained in this document to other countries, you must abide by the procedures and provisions stipulated in all applicable export laws and regulations, including without limitation the US Export Administration Regulations and the Foreign Exchange and Foreign Trade Act.
- 13) This document, in part or in whole, may not be reprinted or reproduced without prior consent of LAPIS Semiconductor.

Copyright 2019 - 2020 LAPIS Semiconductor Co., Ltd.

---

## LAPIS Semiconductor Co.,Ltd.

2-4-8 Shinyokohama, Kouhoku-ku,  
Yokohama 222-8575, Japan  
<http://www.lapis-semi.com/en/>

## X-ON Electronics

Largest Supplier of Electrical and Electronic Components

*Click to view similar products for [16-bit Microcontrollers - MCU category](#):*

*Click to view products by [ROHM manufacturer](#):*

Other Similar products are found below :

[M30302FCPP#U3](#) [MB90F036APMC-GSE1](#) [MB90F428GCPFR-GSE1](#) [MB96F683RBPMC-GSAE1](#) [R5F10MMGDFB#30](#)  
[R5F111PGGFB#30](#) [R5F117BCGNA#20](#) [DF3026XBL25V](#) [DF36014GFTV](#) [DF36014GFXV](#) [DF36024GFTV](#) [DF36034GFPV](#)  
[R5F11B7EANA#U0](#) [R5F21172DSP#U0](#) [MB90092PF-G-BNDE1](#) [MB90F335APMC1-G-SPE1](#) [MB90F345CAPFR-GSE1](#) [MB90F568PMCR-GE1](#) [MB90F882ASPMC-GE1](#) [MB96F395RSAPMC-GSE2](#) [DF36024GFXV](#) [UPD78F1018F1-BA4-A](#) [MB96F018RBPMC-GSE1](#)  
[MB90F867ASPFR-GE1](#) [DF2239FA20IV](#) [R5F117BCGFP#30](#) [LC88F58B0AU-SQFPH](#) [MB90F548GPF-GE1](#) [MB90214PF-GT-310-BND-AE1](#)  
[MB90F342CESPQC-GSE2](#) [MB90F428GAPF-GSE1](#) [ML620Q504H-NNNTBWBX](#) [S912ZVH128F2VLL](#) [UPD78F1500AGK-GAK-AX](#)  
[HD64F3337SF16V](#) [MB90F428GCPF-GSE1](#) [MB90F342ESPMC-G-JNE1](#) [MB90022PF-GS-358E1](#) [MB96F395RWAPMC-GSE2](#)  
[MB96395RSAPMC-GS-110E2](#) [MB90F883CSPMC-GE1](#) [S912ZVHY64F1CLL](#) [S912ZVHY64F1VLQ](#) [ST10F280](#) [MB96F338RSAPMCR-GK5E2](#) [CY90096PF-G-002-BND-ERE1](#) [ML62Q1569-NNNGAZ0AX](#) [ML62Q1739-NNNGAZ0AX](#) [ML62Q1749-NNNGAZ0AX](#)  
[ML62Q1579-NNNGAZ0AX](#)