

ROHM Sensor Shield

SENSORSHLD1-EVK-101

Introduction

ROHM's SENSORSHLD1-EVK-101 is a shield evaluation board that connects multiple ROHM sensor products onto a single board. This shield uses standard Arduino shield interface pins, allowing it to connect to any evaluation kit with a shield interface header.

The following document was written to provide a brief connection guide and general information about ROHM's SENSORSHLD1-EVK-101. Supplementary information including application examples and HW design files for this board can be found at the following repository link.

ROHM's Multi-Sensor Shield GitHub Repository Page:

https://github.com/ROHMUSDC/ROHM_SensorPlatform_Multi-Sensor-Shield

The shield contains the following sensors:

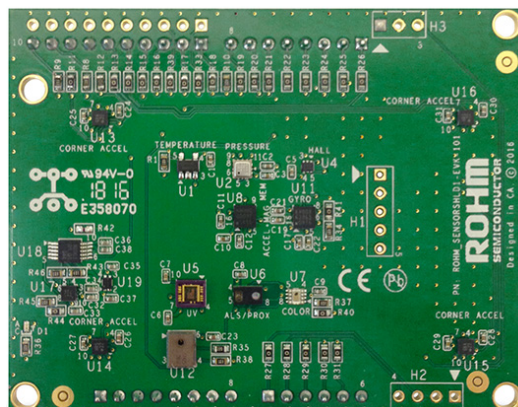
1. Core Sensors:

- ROHM BDE0600G – Analog Temperature Sensor
- ROHM BM1383AGLV – Digital Barometric Pressure Sensor
- ROHM BU52014HFV – Hall Switch Sensor (Omnipolar with Polarity Discrimination)
- ROHM BM1422GMV – Magnetometer Sensor
- KIONIX KX122 – Digital Accelerometer
- KIONIX KMX62 – Digital Magnetometer and Accelerometer
- KIONIX KXG03 – Digital Gyroscope and Accelerometer
- LAPIS ML8511A – Analog UV Sensor
- ROHM RPR-0521 – Digital Ambient Light Sensor and Proximity Sensor
- ROHM BH1745 – Digital Color Sensor

2. Special Functions:

- KNOWLES SPM0423HD4H-WB – Digital Microphone
 - Primarily for use with NXP MCU Lineup
- KIONIX KX122-1037, KX122-1048 – Accelerometer
 - For four corner Accelerometer algorithm development
 - Difference between 1037 and 1048 is the I2C register address scheme to control all 4 accelerometers using a single I2C master

Top View of SENSORSHLD1-EVK-101



Key Differences between SHLD0 and SHLD1

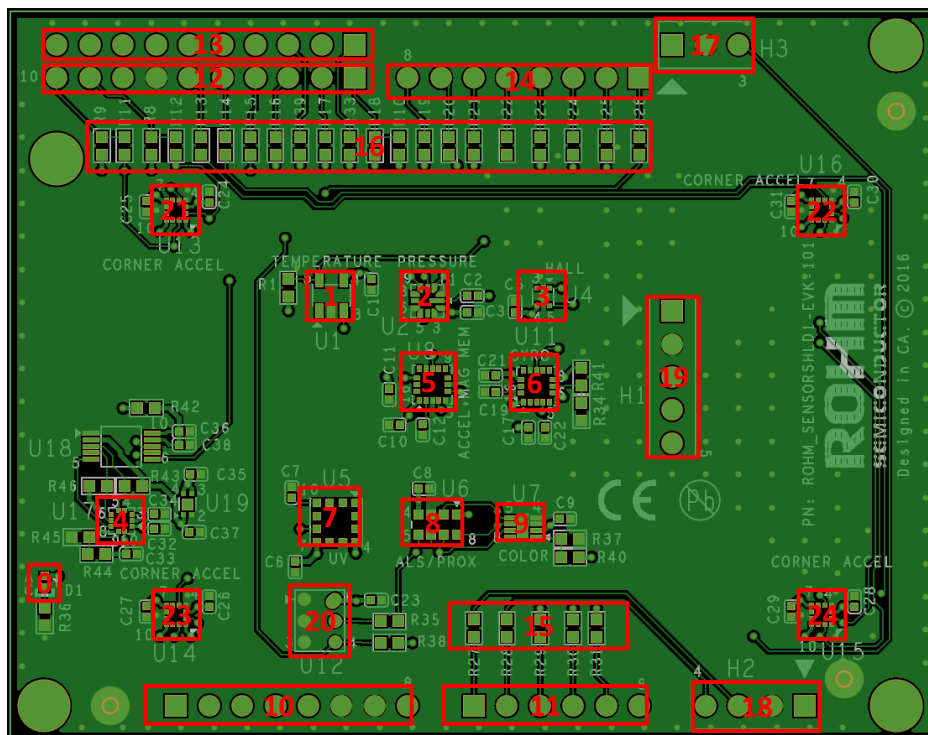
- SENSORSHLD1-EVK-101 is the recommended evaluation board part number for new designs
- Removed erroneous jumpers
- Removed J5 to J11 and adjusted routing for J1 to J4
- Added ROHM's BM1422GMV magnetometer, 1.8V level shifter, and 1.8V LDO (for magnetometer usage)
- Changed the pressure sensor from BM1383GLV to BM1383AGLV. (No HW change, but new PN has new FW I2C register mapping)
- PN change from ML8511 to ML8511A (only chip labelling change)
- KIONIX accelerometers
 - Removed original KX022
 - Changed corner accelerometers to KX022 variation (smaller)

General Board Specifications

For specifications of the individual sensors used on this shield board, please refer to the applicable datasheet/application note which can be found on www.rohm.com

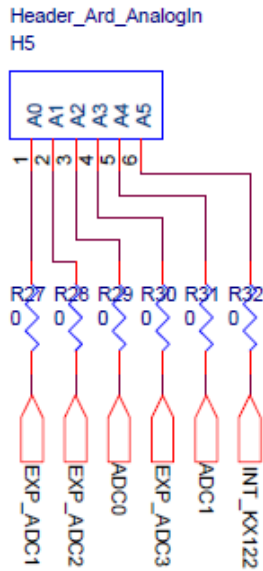
In general, this shield board will be powered by the V3.3 pin (Pin 4 of Header H4) on the shield board. Therefore, please only connect a maximum of 3.3V to this pin as it is tied to the VDD of the full system and some of the sensors onboard cannot tolerate voltages greater than 3.3V.

Hardware Explanation Section



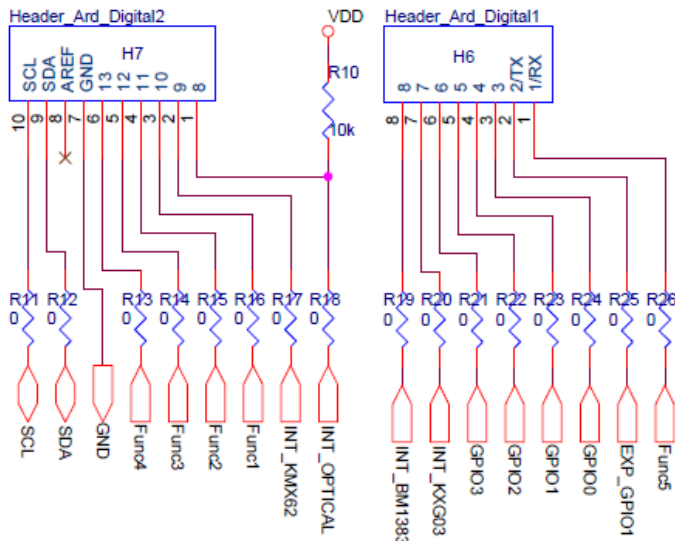
- a. POWER ON LED: When 3.3V is connected to VCC Net, this LED will turn on
- 1. BDE0600G Temperature Sensor
- 2. BM1383GLV Pressure Sensor
- 3. BU52014HFV Hall Effect Switch Sensor
- 4. BM1422GMV Magnetometer Sensor
- 5. KMX62 Accelerometer/Magnetometer Combo Sensor
- 6. KXG03 Gyroscope/Accelerometer Combo Sensor

7. ML8511/A UV Sensor
8. RPR-0521 Combo Ambient Light/Proximity Sensor
9. BH1745 RGB Color Sensor
10. H4 – Standard Power Header
 - a. On the shield board, this header is only connected to pins 4, 7 and 8. See below for an explanation on the shield connector's pin out
11. H5 – Standard Analog In Header
 - a. See below for an explanation on the shield connector's pinout
12. H7 – Standard Digital Header 1
 - a. See below for an explanation on the shield connector's pinout
13. H10 - Auxiliary header for microphone interface
14. H6 – Standard Arduino Digital Header 2
 - a. See below for an explanation on the shield connector's pinout
15. 0Ω jumper line for pins connected to H5



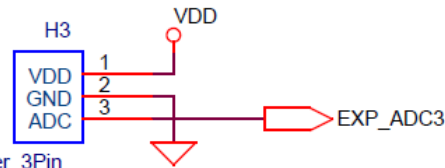
- a.
- b. The purpose of these resistor shorts are to depopulate pin connections on the shield if the user decides to use a pass-through path or needs to adjust pin functionality depending on the required pin configuration

16. 0Ω jumper line for pins connected to H6 and H7



- a.
- b. The purpose of these resistor shorts are to depopulate pin connections on the shield if the user decides to use a pass-through path or needs to adjust pin functionality depending on the required pin configuration

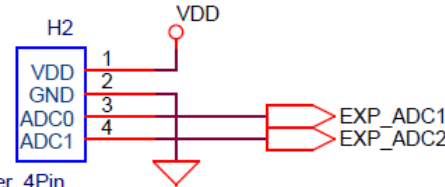
17. H3 – Expansion header for ROHM breakout boards/generic interface (3 Pin – ADC/GPIO x1)



a. BreakoutHeader_3Pin

b. This header is an expansion header for connecting any additional ADC/GPIO x1 based sensors that you may want to use

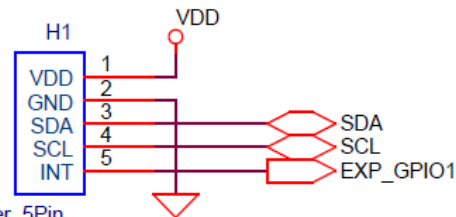
18. H2 – Expansion header for ROHM breakout boards/generic interface (4 Pin – ADC/GPIO x2)



a. BreakoutHeader_4Pin

b. This header is an expansion header for connecting any additional ADC/GPIO x2 based sensors that you may want to use

19. H1 - Expansion Header for ROHM Breakout Boards/Generic Interface (4 Pin – ADC/GPIO x2)



a. BreakoutHeader_5Pin

b. This header is an expansion header for connecting any additional I²C + GPIOx1 based sensors that you may want to use

- 20. Knowles SPM0423HD4H-WB Digital Microphone
- 21. U13 Top Left Corner: KX022 Accelerometer
- 22. U16 Top Right Corner: KX022 Accelerometer
- 23. U14 Bottom Left Corner: KX022 Accelerometer
- 24. U15 Bottom Right Corner: KX022 Accelerometer

General Board Software Explanation

Please note that software explanations will differ, depending on the application processor you plan to use. Therefore, please refer to the relevant platform guide located in ROHM's Multi-Sensor Shield GitHub Repository:

https://github.com/ROHMUSDC/ROHM_SensorPlatform_Multi-Sensor-Shield
 .../ROHM_SensorPlatform_Multi-Sensor-Shield/Platform Code/

Notes

No copying or reproduction of this document, in part or in whole, is permitted without the consent of ROHM Co.,Ltd.

The content specified herein is subject to change for improvement without notice.

The content specified herein is for the purpose of introducing ROHM's products (herein after "Products"). If you wish to use any such Product, please be sure to refer to the specifications which can be obtained from ROHM upon request.

Examples of application circuits, circuit constants and any other information contained herein illustrate the standard usage and operations of the Products. The peripheral conditions must be taken into account when designing circuits for mass production.

Great care was taken in ensuring the accuracy of the information specified in this document. However, should you incur any damage arising from any inaccuracy or misprint of such information, ROHM shall bear no responsibility for such damage.

The technical information specified herein is intended only to show the typical functions of and examples of application circuits for the Products. ROHM does not grant you, explicitly or implicitly, any license to use or exercise intellectual property or other rights held by ROHM and other parties. ROHM shall bear no responsibility whatsoever for any dispute arising from the use of such technical information.

The Products specified in this document are intended to be used with general-use electronic equipment or devices (such as audio visual equipment, office-automation equipment, communication devices, electronic appliances and amusement devices).

The Products specified in this document are not designed to be radiation tolerant.

While ROHM always makes efforts to enhance the quality and reliability of its Products, a Product may fail or malfunction for a variety of reasons.

Please be sure to implement in your equipment using the Products safety measures to guard against the possibility of physical injury, fire or any other damage caused in the event of the failure of any Product, such as derating, redundancy, fire control and fail-safe designs. ROHM shall bear no responsibility whatsoever for your use of any Product outside of the prescribed scope or not in accordance with the instruction manual.

The Products are not designed or manufactured to be used with any equipment, device or system which requires an extremely high level of reliability the failure or malfunction of which may result in a direct threat to human life or create a risk of human injury (such as a medical instrument, transportation equipment, aerospace machinery, nuclear-reactor controller, fuel-controller or other safety device). ROHM shall bear no responsibility in any way for use of any of the Products for the above special purposes. If a Product is intended to be used for any such special purpose, please contact a ROHM sales representative before purchasing.

If you intend to export or ship overseas any Product or technology specified herein that maybe controlled under the Foreign Exchange and the Foreign Trade Law, you will be required to obtain a license or permit under the Law.



Thank you for your interest in ROHM products.
Please contact us for additional information and product catalogs.

ROHM Customer Support System

<https://www.rohm.com/web/global/contactus>

X-ON Electronics

Largest Supplier of Electrical and Electronic Components

Click to view similar products for [Multiple Function Sensor Development Tools](#) category:

Click to view products by [ROHM](#) manufacturer:

Other Similar products are found below :

[MAXWSNENV#](#) [STEVAL-MKIT01V1](#) [KT-O2-25%-TB200A-E](#) [KT-TVOC-200-TB200A](#) [KT-NmHc-200-TB200A](#) [SEN0344](#) [PIM520](#)
[PIM518](#) [PIM519](#) [PIM502](#) [EVAL-AD7746HDZ](#) [AS7022-EVALKIT](#) [ALTEHTG2SMIP](#) [MAX30101WING#](#) [OB1203SD-U-EVK](#) [MIKROE-](#)
[4265](#) [A000070](#) [EV_ICG-20660L](#) [GX-F12A-P](#) [GX-F15A](#) [GX-F6A-P](#) [GX-F8AI-P](#) [GX-F8B](#) [GX-H12A-P](#) [GX-H15AI-P](#) [GX-H6A-P](#) [GX-](#)
[HL15B-P](#) [1093](#) [MIKROE-2455](#) [MIKROE-2458](#) [MIKROE-2507](#) [MIKROE-2508](#) [MIKROE-2516](#) [MIKROE-2529](#) [1458](#) [MIKROE-1628](#) [176](#)
[189](#) [1893](#) [2106](#) [ATQT4-XPRO](#) [GP30-DEMO MODULE](#) [GX-F12AI-P](#) [GX-F15A-P](#) [GX-F8A-P](#) [GX-FL15B-P](#) [GX-H12AI-P](#) [GX-H15A-P](#)
[GX-H6AI-P](#) [GX-H8A](#)