

Specification	Products VISUAL LIGHT EMITTING DIODES	Type SLH-56VR3F
---------------	--	--------------------

1. TYPE NAME SLH-56VR3F
2. CONSTRUCTION GaAsP on GaP red Visual Light Emitting Diodes packaged with red diffused epoxy.
3. USAGE Power source for display unit.
4. DIMENSIONS See Figure 1
5. ABSOLUTE MAXIMUM RATINGS (Ta=25°C)

Power Dissipation	P_D	75 mW
Forward Current	I_F	25 mA
Peak Forward Current	I_{FP}	60 mA (notes 1)
Reverse Voltage	V_R	3 V
Operating Temperature	T_{opr}	-25°C ~ +85°C
Storage Temperature	T_{stg}	-30°C ~ +100°C

(notes 1 Duty 1/5 Pulse Width 1ms)

6. ELECTRO-OPTICAL CHARACTERISTICS (Ta=25°C)

DESCRIPTION	SYMBOL	CONDITION	MIN	TYP	MAX	UNITS
Luminous Intensity	I_V	$I_F = 20mA$	13.5	47	—	mcd
Forward Voltage	V_F	$I_F = 20mA$	—	2.1	3.0	V
Reverse Current	I_R	$V_R = 3V$	—	—	10	μA
Peak Wave Length	λ_P	$I_F = 20mA$	—	650	—	nm
Spectral Line Half Width	$\Delta \lambda$	$I_F = 20mA$	—	40	—	nm
Input/Output Frequency	—	—	—	67.6	—	MHz

xc

According to Luminous Intensity value ROHM will specify under following rank.

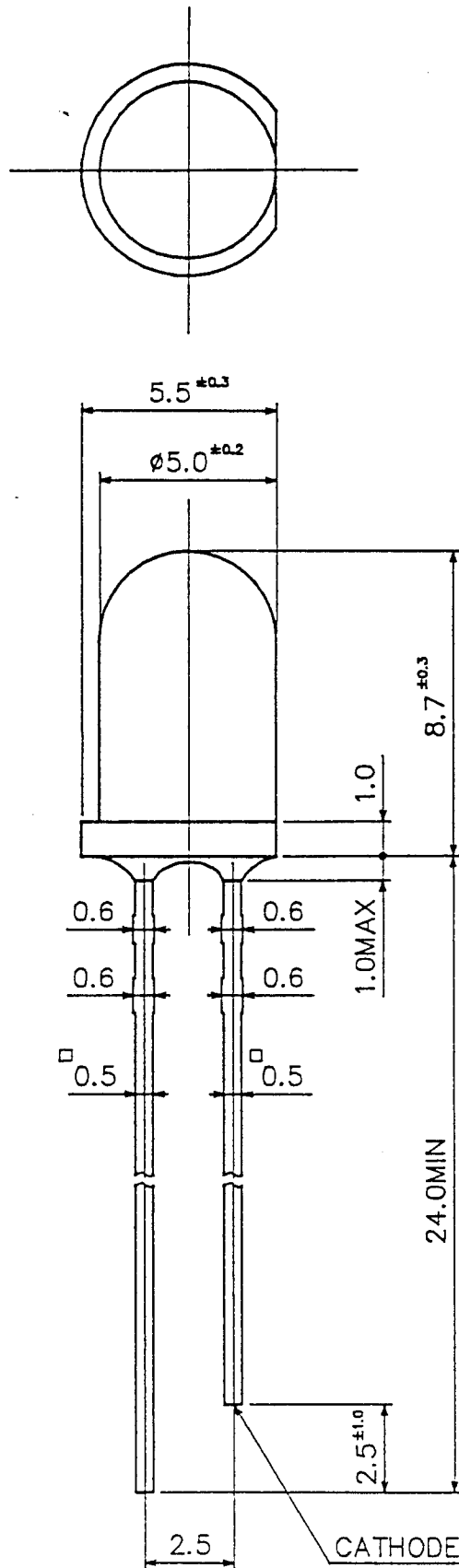
ITEM	SPECIFICATION	ITEM	SPECIFICATION
X B	13.5 ~ 24	X E	42 ~ 75
X C	20 ~ 36	X F	61 ~ 110
X D	30 ~ 52	X G	90 ~ 165

Specification

Products

Type

SLH-56 (3)

Figure. 1

(Unit: mm)

Specification

Products

VISUAL LIGHT EMITTING DIODES

Type

S L H - 5 6 V R 3 F

7. IV CLASSIFICATION

ITEM	IV CLASSIFICATION
" P "	22 ~ 45 mcd
" Q "	36 ~ 71 mcd
" R "	56 ~ 110 mcd
" S "	90 ~ (180) mcd

IF=20mA

Due to luminous intensity up, Intensity might shift.

8. FACTORY OF ORIGIN

WAKO ELECTRIC CO., LTD. (OKAYAMA, JAPAN)

ROHM-WAKO SDN. BHD (MALAYSIA)

ROHM KOREA CORPORATION (KOREA)

9. WEIGHT

About 0.31 g per 1 piece

Specification	Products VISUAL LIGHT EMITTING DIODES	Type S L H - 5 6 V R 3 F
---------------	--	-----------------------------

1. TYPE NAME S L H - 5 6 V R 3 F
2. CONSTRUCTION GaAsP on GaP red Visual Light Emitting Diodes packaged with red diffused epoxy.
3. USAGE Power source for display unit.
4. DIMENSIONS See Figure 1

5. ABSOLUTE MAXIMUM RATINGS (Ta=25°C)

Power Dissipation	P_D	75 mW
Forward Current	I_F	25 mA
Peak Forward Current	I_{FP}	60 mA (notes 1)
Reverse Voltage	V_R	3 V
Operating Temperature	T_{opr}	-25°C ~ +85°C
Storage Temperature	T_{stg}	-30°C ~ +100°C

(notes 1 Duty 1/5 Pulse Width 1ms)

6. ELECTRO-OPTICAL CHARACTERISTICS (Ta=25°C)

DESCRIPTION	SYMBOL	CONDITION	MIN	TYP	MAX	UNITS
Luminous Intensity	I_V	$I_F = 20mA$	13.5	47	—	mcd
Forward Voltage	V_F	$I_F = 20mA$	—	2.1	3.0	V
Reverse Current	I_R	$V_R = 3V$	—	—	10	μA
Peak Wave Length	λ_P	$I_F = 20mA$	—	650	—	nm
Spectral Line Half Width	$\Delta \lambda$	$I_F = 20mA$	—	40	—	nm
Input/Output Frequency	—	—	—	67.6	—	MHz

x c

ROHM CO., LTD.

Design <i>T. Yamaguchi</i>	Approval <i>Y. Kato</i>	Specification No. SLH56VR - A 1	Date Mar. 20/95
-------------------------------	----------------------------	---	--------------------

X-ON Electronics

Largest Supplier of Electrical and Electronic Components

Click to view similar products for [Standard LEDs - Through Hole category](#):

Click to view products by [ROHM manufacturer](#):

Other Similar products are found below :

[LTL-10254W](#) [LTL-1214A](#) [LTL-3251A](#) [LTL-4262N](#) [LTL-433P](#) [LTL-5234](#) [LTL87HTBK](#) [LTW-87HD4B](#) [HLMP-EL30-PS0DD](#)
[1L0532V23G0TD001](#) [NSPW500CS](#) [NTE30036](#) [NTE30044](#) [NTE30059](#) [NTE3020](#) [LD CQDP-1U3U-W5-1-K](#) [LO566UHR3-70G-A3](#)
[LP379PPG1C0G0300001](#) [SLX-LX3044GD](#) [SLX-LX3044ID](#) [SLX-LX3044YD](#) [1.90690.3330000](#) [SSS-LX4673ID-410B](#) [1L0532Y24I0TD001](#)
[264-7SYGD/S530-E2](#) [HLMP-1301-G00FG](#) [HLMP1385](#) [LTL-10224W](#) [LTL-1224A](#) [LTL-1234A](#) [LTL-2251AT](#) [LTL-403HR](#) [LTL-4222](#)
[LU7-E-B](#) [4380H1](#) [TLHY44K1L2](#) [HLMP-3962-F0002](#) [HLMP-GG15-R0000](#) [323-2SURD/S530-A3](#) [L53SRC/E-Z](#) [L-7679C1ZGC](#) [4302T1-5V](#)
[4306D23](#) [4363D1/5](#) [WP1503SRC/J4](#) [WP153GDT](#) [WP153YDT](#) [WP1543SGC](#) [WP1543SURC](#) [WP53MGD](#)