

东莞市容强电子科技有限公司

Dongguan Rongqiang Electronic Technology Co. Ltd.

承认书

SPECIFICATIONS FOR APPROVAL

制品名 Product Name	贴片型铝电解电容器 V-chip Aluminum Electrolytic Capacitors		
系列 Series	VT Series, 105°C, ±20%, Standard		
规格 Description	VT1C101M0605	100UF/16V	6.3*5.4
	VT1V470M0605	47UF/35V	6.3*5.4
	VT1C221M0607	220UF/16V	6.3*7.7
	VT1A221M0605	220UF/10V	6.3*5.4
	VT1E221M0810	220UF/25	8*10.5
	VT1H4R7M0405	4.7UF/50V	4*5.4
	VT1E220M0505	22UF/25V	5*5.4
	VT1E100M0405	10UF/25V	4*5.4
	VT0J470M0405	47UF/6.3V	4*5.4
	VT1H100M0505	10UF/50V	5*5.4
	VT1E471M1010	470UF/25V	10*10.2
	VT1A102M1010	1000UF/10V	10*10.2
	VT1E100M0505	10UF/25V	5*5.4
	VT1C330M0505	33UF/16V	5*5.4
	VT0J331M0607	330UF/6.3V	6.3*7.7
	VT1C470M0605	47UF/16V	6.3*5.4
客户承认栏 Approval Column	发行确认栏 Approved By		
			
	审核 Checked By	确认 Approved By	
	林涛	张琴	

VT系列铝电解电容器

Aluminum Electrolytic Capacitors VT Series

- 1. 範圍 Scope
適用“VT系列”立式片式铝电解电容器
This specification covers “VT Series” V-chip aluminum electrolytic capacitors.
- 2. 参考标准 Reference Standard
日本工业标准 JIS C-5141、JIS C-5102
Japanese industrial Standard JIS C-5141 characteristics W and JIS C-5102 except as specified in this specification.
- 3. 环境保护标准 Environmental Protection Standard
遵照欧盟指令 2002/95/EC.
Comply with the EU directive 2002/95/EC.
- 4. 使用温度范围 Operating Temperature Range
-55C ~ +105C
- 5. 电压范围 Voltage Range
4 ~ 100V
- 6. 容量范围 Capacitance Range
0.1~ 1500F
- 7. 容量偏差范围 Capacitance Tolerance
20% at 120Hz, 20C
- 8. 漏电流 Leakage Current
2分钟後讀數
 $I \leq 0.01 CV$ or 3 (A) whichever is greater (after 2 minutes)
- 9. Tan
测试频率: 120Hz, 温度: 20°C
Measurement frequency: 120Hz, Temperature: 20C

Rated Voltage (V)	4	6.3	10	16	25	35	50	63	100
Tan (max.)	0.50	0.30	0.24	0.20	0.18	0.14	0.14	0.12	0.12

- 10. 低温特性
测试频率: 120Hz
Measurement frequency: 120Hz

Rated Voltage (V)		4	6.3	10	16	24	35	50	63	100
Impedance Ratio ZT/Z20 (max.)	Z-25C /Z+20C	7	4	3	2	2	2	2	2	2
	Z-40C /Z+20C	15	8	6	4	4	3	3	3	3

VT系列铝电解电容器

Aluminum Electrolytic Capacitors VT Series

> 11. 耐久性

105°C施加额定电压2000小时后，电容器应满足以下要求

After 2000 hours application of rated voltage at 105°C, capacitors meet the characteristics requirements listed.

容量变化率 Capacitance Change	±30%初始值内 Within 30% of initial value
损耗角正切值 Tan	≤200%初始规定值 200% or less of initial specified value
漏电流 Leakage Current	≤初始规定值 Initial specified value or less

> 12. 高温储存

105°C放置1000小时后，满足以下要求

After storage for 1000H at 105°C ± 5°C

Capacitance Change	Within 30% of initial value
Tan	200% or less of initial specified value
Leakage Current	300% of less of Initial specified value

> 13. 耐焊接热 Resistance to Soldering Heat

经过回流焊后（参见第6页）在温室中恢复后，电容器满足以下要求

After reflow soldering according to Reflow Soldering Condition (see page 5) and restored at room temperature, they meet the characteristics listed.

容量变化率 Capacitance Change	≤ ±10%初始值 Within 10% of initial value
损耗角正切值 Tan	≤初始规定值 Initial specified value or less
漏电流 Leakage Current	≤初始规定值 Initial specified value or less

> 14. 标识 Marking

电容器标识内容如下：

Capacitors shall be legibly marked with the following:

1) 产品系列

Manufacturer's mark

2) 额定电压和额定电容

Rated voltage and nominal capacitance

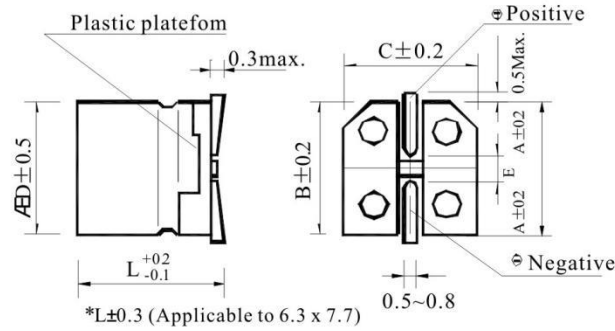
3) 负极标识

Negative polarit

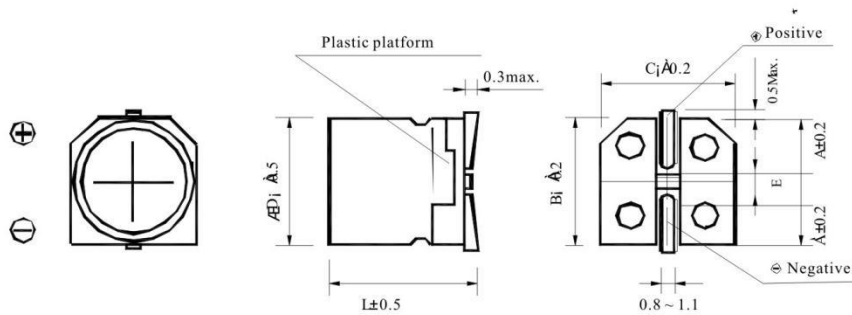
VT系列铝电解电容器

Aluminum Electrolytic Capacitors VT Series

15. 圖樣 Drawing (Unit: mm)
(4~6.3)



(8, 10)



16. 尺寸 Dimensions (Unit: mm)

D*L	4*5.4	5*5.4	6.3*5.4	6.3*7.7	8*6.5	8*6.5	8*10.5	10*10.5
A	1.8	2.1	2.4	2.4	2.9	2.9	2.9	3.2
B	4.3	5.3	6.6	6.6	8.3	8.3	8.3	10.3
C	4.3	5.3	6.6	6.6	8.3	8.3	8.3	10.3
E	1.0	1.3	1.8	1.8	3.1	3.1	3.1	4.2
L	5.4	5.4	5.4	7.7	6.5	6.5	10.5	10.5

VT系列铝电解电容器

Aluminum Electrolytic Capacitors VT Series

17. 编带说明

符合标准 JIS C0806

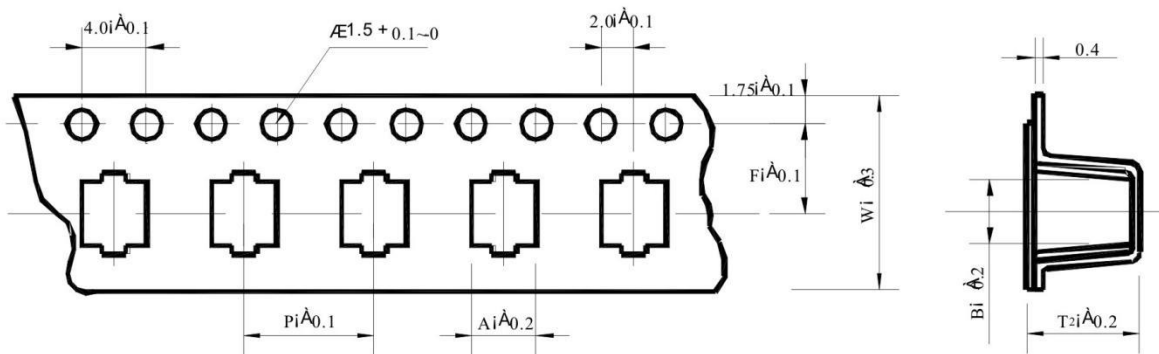
Applicable standard JIS C0806

(VT、VS、VE、VW、VK、VH、RVNseries)

盒带

17.1. 图样

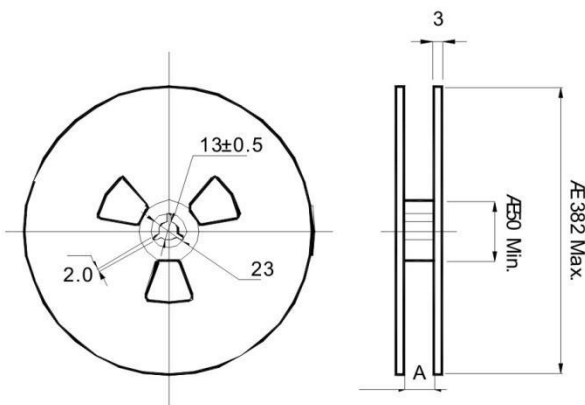
Drawing 1 (for 4 ~ 10)



尺寸 Dimension

Series	RVT						
D*L	4*5.4	5*5.4	6.3*5.4	6.3*7.7	8*6.5	8*10.5	10*10.5
W	12.0	12.0	16.0	16.0	16.0	24.0	24.0
P	8.0	12.0	12.0	12.0	12.0	16.0	16.0
F	5.5	5.5	7.5	7.5	7.5	11.5	11.5
A	4.7	6.0	7.0	7.0	8.7	8.7	10.7
B	4.7	6.0	7.0	7.0	8.7	8.7	10.7
T	5.8	5.8	5.8	8.3	7.0	11.0	11.0

17.2. 卷盘 Reel



包装数量 Package quantity

D * L	卷装数量 Qty/Reel	盒装数量 Qty./Bag
4*5.5	2000pcs	20000pcs
5,6.3*5.4	1000pcs	10000pcs
6.3*7.7	1000pcs	10000pcs
8*6.5	1000pcs	10000pcs
8*10.5	500pcs	5000pcs
10*10.5	500pcs	5000pcs

D	4	5	6.3	8*6.5	8*10.5	10*10.5
A	14	14	18	18	26	26

VT系列铝电解电容器

Aluminum Electrolytic Capacitors VT Series

➤ 18. 无铅回流焊接 Lead-free Reflow Soldering Condition

A. 回流焊条件推荐

Recommended Conditions for Reflow Soldering

(1) 应采用红外线及热风回流焊接，不宜采用汽相加热回流焊接；

A thermal condition system such as infrared radiation (IR) or hot blast should be adopted, and vapor heat transfer systems (VPS) are not recommended.

(2) 推荐回流焊只进行一次，回流焊次数如果需要二次，必须相隔30分钟以上；

Reflow soldering should be performed one time. If the capacitor has to be reflowed twice, 30 minutes must be layout between each time.

(3) 无铅回流焊，请符合下述条件：

For lead-free type reflow soldering, please observe proper conditions below:

a) 从150°C至200°C的预热时间在180秒钟以内；

The time of preheating from 150° C to 200° C shall be within maximum 180 seconds;

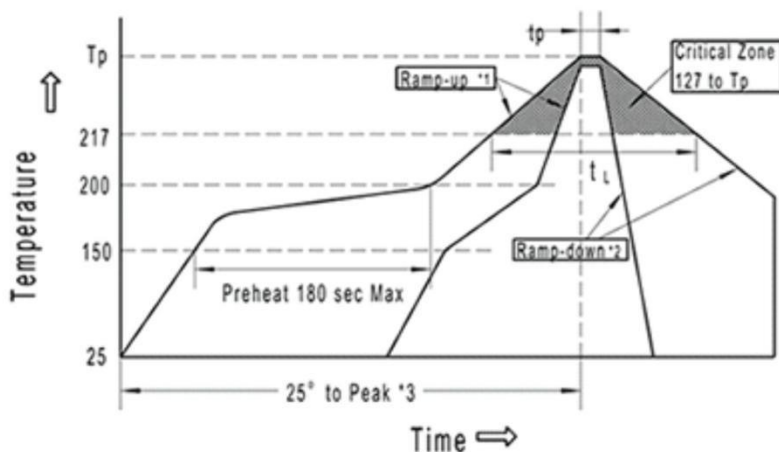
b) 电容器顶部温度超过217°C的焊接时间不超过 t_L 秒；

The time of soldering temperature at 217° C measured on capacitors' top shall not exceed t_L (second);

c) 电容器顶部尖峰温度不超过 T_p °C，在5°C范围内的实际尖峰温度时间不超过 t_p 秒

The peak temperature on capacitors' top shall not exceed T_p (° C), and the time within 5° C of actual peak temperature shall not exceed t_p (second).

➤ B. 回流焊曲线图 Classification Reflow Profile



*1. Average ramp-up rate is 3°C/second max.

*2. Ramp-down rate is 6°C/second max.

*3. Time from 25°C to peak temperature is 8 minutes max.

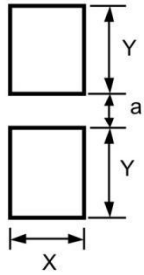
➤ C. 尖峰温度允许范围

Size	Thickness (mm)	T_p (° C)	t_L (second)	t_p (second)
4~6.3	≥2.5	250±0	80	20
8	≥2.5	240±0	80	10
10*10.5L	≥2.5	235±0	60	10

VT系列铝电解电容器

Aluminum Electrolytic Capacitors VT Series

> D. 表面安装推荐尺寸 Recommended Land Size (Unit: mm)



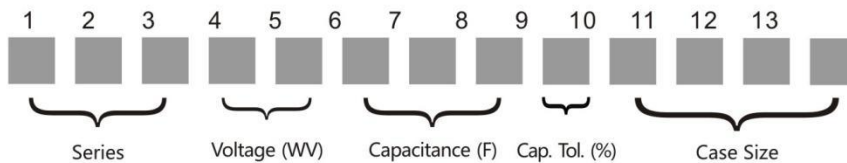
Size	X	Y	A
4	1.6	2.6	1.0
5	1.6	3.0	1.4
6.3	1.6	3.5	2.1
8	2.5	3.5	3.0
10	2.5	4.0	4.0

> 19. 引线原材料

Name	Material	Percentage
TPCS	Fe	71.35%
	Cu	20%
	Sn	8.65%

> 20. 电容器代码标志

Series (RVT) Voltage (35V) Capacitance (47F) Capacitance Tolerance (20%) Case Diameter (6.3*7.7mm)



範例:

Example: RVT 1V 470 M 0607

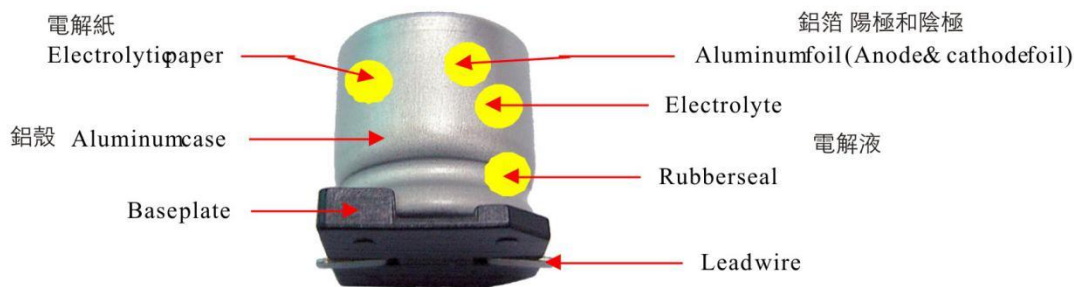


VT系列铝电解电容器

Aluminum Electrolytic Capacitors VT Series

额定电压 R.W.Voltage(V)	4	6.3	10	16	25	35	50	63	100
代号 Code	0G	0J	1A	1C	1E	1V	1H	1J	2A

> 21. 結構 Construction



> 22. 額定紋波電流的頻率導數 Frequency Coefficient of Allowable Ripple Current

Frequency	50Hz	120Hz	300Hz	1kHz	10kHz~
Coefficient	0.7	1.00	1.17	1.36	1.50

> 23. 最大允許紋波電流 Dimensions & Maximum Permissible Ripple Current

Item	RVT-P/N	Capacitance (F)	Working Voltage (V)	Case Size (D*L)	Allowable ripple current (mA rms) at 105C, 120Hz
1	VT1C101M0605	100UF	16V	6.3*5.4	63
2	VT1V470M0605	47UF	35V	6.3*5.4	54
3	VT1C221M0607	220UF	16V	6.3*7.7	110
4	VT1A221M0605	220UF	10V	6.3*5.4	110
5	VT1E221M0810	220UF	25V	8*10.5	183
6	VT1H4R7M0405	4.7UF	50V	4*5.4	14
7	VT1E220M0505	22UF	25V	5*5.4	26
8	VT1E100M0405	10UF	25V	4*5.4	15
9	VT0J470M0405	47UF	6.3V	4*5.4	26
10	VT1H100M0505	10UF	50V	5*5.4	25
11	VT1E471M1010	470UF	25V	10*10.2	286
12	VT1A102M1010	1000UF	10V	10*10.2	320
13	VT1E100M0505	10UF	50V	5*5.4	17
14	VT1C470M0605	47UF	16V	6.3*5.4	48
15	VT1V471M1010	470UF	35V	10*10.2	286
16	VT1V221M0810	220UF	35V	8*10.2	195
17	VT1C100M0405	10UF	16V	4*5.4	17
18	VT1A101M0505	100UF	10V	5*5.4	40
19	VT1C470M0505	47UF	16V	5*5.4	33
20	VT1C101M0605	100UF	16V	6.3*5.4	63
21	VT1A221M0605	220UF	10V	6.3*5.4	110

VT系列铝电解电容器

Aluminum Electrolytic Capacitors VT Series

24. 标称电容量、额定电压、额定纹波电流与外形尺寸参应表

Nominal capacitance, rated voltage, rated ripple current and case size table

标称电容量、额定电压、额定纹波电流与外形尺寸对应表

Nominal capacitance, rated voltage, rated ripple current and case size table

V	6.3		10		16		25		35		50		63		100			
	D×Lmm	1~	D×Lmm	1~	D×Lmm	1~	D×Lmm	1~	D×Lmm	1~	D×Lmm	1~	D×Lmm	1~	D×Lmm	1~		
0.47											4*5.4	4.0	4*5.4	3.7				
1											4*5.4	8.0	4*5.4	7.2	4*5.4	7.2		
2.2											4*5.4	12	4*5.4	12	6.3*5.4	15		
3.3										4*5.4	14	4*5.4	14	5*5.4	17	6.3*5.4	22	
4.7							4*5.4	14	4*5.4	15	4*5.4	14	5*5.4	17	6.3*5.4	22	6.3*7.7	38
10					4*5.4	17	4*5.4	15	4*5.4	15	5*5.4	25	6.3*7.7	41	8*10.2	80		
							5*5.4	21	5*5.4	22	6.3*5.4	25	6.3*5.4	26	6.3*7.7	38		
22	4*5.4	22	4*5.4	21	4*5.4	21	5*5.4	26	5*5.4	40	6.3*7.7	52	8*10.2	100	10*10.2	129		
			5*5.4	26	5*5.4	28	6.3*5.4	37	6.3*5.4		6.3*5.4	43	6.3*7.7	53	8*10.2	90		
33	4*5.4	23	4*5.4	23	5*5.4	29	5*5.4	30	6.3*5.4	45	6.3*7.7	63	8*10.2	116	10*10.2	136		
	5*5.4	28	5*5.4	34	6.3*5.4	45	6.3*5.4	45	8*6.5	86								
47	4*5.4	26	4*5.4	31	5*5.4	33	6.3*5.4	49	6.3*5.4	54	8*10.2	125	10*10.2	168	10*10.2	148		
	5*5.4	34	5*5.4	42	6.3*5.4	48	8*6.5	93	6.3*7.7	75	6.3*7.7	66	8*10.2	125				
100	5*5.4	40	5*5.4	40	6.3*5.4	63	6.3*7.7	93	6.3*7.7	87	8*10.2	146						
	6.3*5.4	52	6.3*5.4	55	8*6.5	125	8*6.5	93	8*10.2	125	10*10.2	178	10*10.2	200				
150	6.3*5.4	56	6.3*5.4	65	6.3*7.7	100	8*10.2	148	8*10.2	158	10*10.2	178						
220	6.3*5.4	69	6.3*7.7	110	6.3*7.7	110	8*10.2	183	8*10.2	195								
	6.3*7.7	108	6.3*5.4	110	8*6.5	110			10*10.2	230	10*10.2	230						
330	6.3*7.7	108	8*10.2	108	8*10.2	201	8*10.2	228	10*10.2	247								
							10*10.2	248										
470	6.3*7.7	125	8*10.2	214	8*10.2	240	10*10.2	286	10*10.2									
	8*10.2	214	10*10.2	266	10*10.2	300												
680	8*10.2	214	10*10.2	277	10*10.2	322												
	8*10.2	235																
1000	10*10.2	310	10*10.2	320	10*10.2	347												
1500	10*10.2	320																

1~ 额定纹波电流 Rated ripple current(mA, 105°C, 120Hz)

25. 片式铝电解电容器一般使用注意事项 Application guideline for V-CHIP aluminum electrolytic capacitors

A) 电路设计

Circuit Design

1) 充分考虑电容器使用和安装条件在容仕产品目录的规定范围内

Please make sure the environmental and mounting conditions to which the capacitor will be exposed are within the conditions specified in RJ's catalogue.

2) 工作温度和施加的纹波电流应在容仕产品目录的规定范围内

Operating temperature and applied ripple shall be within RJ specification.

3) 在设计电路时，应选择符合寿命要求的產品

Appropriate capacitors which comply with the life requirement of the products should be selected when designing the circuit.

4) 铝电解电容器是有极性的，不应加反向电压或交流电压。对可能出现反向电压的电路，应选择双极性电容器。注意：即使双极性电容器，也不能直接用于纯交流电路

Aluminum electrolytic capacitors are polar. Make sure that no reverse voltage or AC voltage is applied to the capacitors. Please use bi-polar capacitors for a circuit that can possibly see reversed polarity. Note: Even bi-polar capacitors cannot be used for AC voltage application.

VT系列鋁電解電容器

Aluminum Electrolytic Capacitors VT Series

- 5) 對需要快速和頻繁充放電的電路，不應使用鋁電解電容器，而應選擇特別設計的具有長壽命的電容器
Do not use aluminum electrolytic capacitors in a circuit that requires rapid and very frequent charge / discharge.
In this type of circuit, it is necessary to use a special design capacitor with extended life characteristics.
- 6) 不應使用過載電壓
Do not apply excess voltage.
K 直流電壓與紋波電壓疊加後的峰值電壓不應超過額定工作電壓
Please pay attention to that the peak voltage, which is DC voltage overlapped by ripple current, will not exceed the rated voltage.
L 若2個以上電容器串聯，應確保施加電壓低於額定值，而且要並聯一個平衡電阻，以使每個電容器所加電壓相等。
In the case where more than 2 aluminum electrolytic capacitors are used in series, please make sure that applied voltage will be lower than rated voltage and the voltage will be applied to each capacitor equally by using a balancing resistor in parallel with the capacitor
- 7) 電容器不能應用於下述環境條件下：
Aluminum electrolytic capacitors shall not be used under the following environmental conditions:
① (a) 電容器被暴露於水（包括濃縮液）、鹽水或油中。
Capacitors will be exposed to water (including condensation), brine or oil.
(b) 周圍環境中有硫化氫、亞硫酸、亞硝酸、氯氣、溴氣、溴化甲烷、氨氣等有毒氣體。
Ambient conditions that include toxic gases such as hydrogen sulfide, sulfurous acid, nitrous acid, chlorine, bromine, methyl bromide, ammonium, etc.
(c) 周圍環境中有臭氧、紫外線及輻射。
Ambient conditions that expose the capacitor to ozone, ultraviolet ray and radiation.
② 嚴重的振動及機械沖擊超過容仕產品目錄的規定範圍。
Severe vibration and physical shock conditions that exceed RJ specification.
振動的測試條件如下
Vibration test condition:
振動頻率範圍：10-55-10Hz
vibration frequency range: 10~55~10Hz
掃描頻率：10-55-10Hz/分鐘
sweep rate：10~55~10Hz/minute
掃描方式：對數
sweep method: logarithmic
振幅或加速度：1.5mm（最大加速度為10G）
amplitude or acceleration: 1.5mm (max. acceleration is 10G)
振動方向：X、Y、Z方向
direction of vibration：X, Y, Z direction
測試時間：每個方向2小時
testing time: 2 hours per each direction
沖擊一般不適用。
Shock is not applicable normally.
如有特殊要求，請與我們銷售部門聯繫。
If a particular condition is required, please contact our sales office.
- 8) 電解液主要化學溶劑及電解紙為易燃物，且電解液導電。當電解液與板接觸時，可能會腐蝕板上的線路，或造成短路，以致產生煙或著火。因此在電容器封口下端不應有任何線路。
The main chemical solution of the electrolyte and the separator paper used in the capacitors are combustible. The electrolyte is conductive. When it comes in contact with the PC board, there is a possibility of pattern corrosion or short circuit between the circuit pattern, which could result in smoking or catching fire. Do not locate any circuit pattern beneath the capacitor end seal.
- 9) 設計線路板時應確保發熱元器件不靠近鋁電解電容器或PC板的另一面，避免其正好在電容器的下面。
Do not design a circuit board that the heat generating components are placed near the aluminum electrolytic capacitor or on the reverse side of PC board, if that just under the capacitor.

VT系列鋁電解電容器

Aluminum Electrolytic Capacitors VT Series

- 10) 設計線路板時應考慮到電容器的電性能可能隨溫度和頻率的變化而變化。
Electrical characteristics may vary depending on changes in temperature and frequency. Please consider this variation when you design circuits.
- 11) 當2個以上電容器並聯時，應考慮到通過這些電容器的電流平衡。
When you install more than 2 capacitors in parallel, please consider the balance of current flowing into the capacitors.
- 12) 在雙面線路板上安裝電容器時，電容器的安裝位置應避開多餘的基板孔和過孔。
While mounting capacitors on double-side PC board, the capacitors should be away from those unnecessary base plate holes and connection holes.

➤ B) 安裝

Mounting

1) 一旦電容器經過安裝及加載，不要再試圖用於其他線路板或其他用途。

Once a capacitor has been assembled in the set and power applied, do not attempt to re-use the capacitor in other circuits or application.

2) 貯存超過年的電容器，其漏電流可能增大。若漏電流增大，請使用1KΩ電阻做充電處理。

Leakage current of the capacitors that have been stored for more than 2 years may increase. When leakage current has increased, please perform a voltage treatment using a 1kΩ resistor.

3) 在將電容器安裝在PC板之前，請確認其規格和極性。

Please confirm specifications and polarity before installing capacitors on the PC board.

4) 不要將電容器掉在地上，或不要使用掉在地上的電容器。

Do not drop capacitors on the floor, nor use a capacitor that was dropped.

5) 安裝時請不要損傷電容器。

Do not deform the capacitor during installation.

6) 請注意貼片機的吸頭、產品檢測夾具或對中裝置對電容器的機械沖擊。

Please pay attention to the mechanical shock to the capacitor by suction nozzle of the automatic insertion machine or automatic mounter, or by product checker, or by centering mechanism.

7) 回流焊Reflow soldering

①請遵守容仕產品目錄中的回流焊條件。

Please follow "Reflow Soldering Conditions" in RJ's catalogue.

②當使用紅外線加熱時，請注意加熱程度，因為紅外線吸收率會隨著電容器顏色和大小的不同而改變。

When an infrared heater is used, please pay attention to the extent of heating since the absorption rate of infrared will vary due to difference in the color and size of the capacitor.

8) 將電容器焊接在PC板後，不要傾斜或扭動電容器。

Do not tilt lay down or twist the capacitor body after the capacitor are soldered to the PC board.

9) 不要抓住焊接後的電容器搬動PC板。

Do not carry the PC board by grasping the soldered capacitor.

10) 不要讓任何物品接觸焊接後的電容器。如果PC板堆放儲存，請確保PC板或其他零部件不觸到電容器。

Please do not allow anything to touch the capacitor after soldering. If PC boards are stored in stack, please make sure the PC board or other components away from the capacitor.

11) 焊接後的電容器不應受到任何已焊接PC板或其他元器件熱輻射的影響。

The capacitors shall not be effected by any radiated heat from the soldered PC board or other components after soldering.

12) 清洗: Cleaning

①不能用鹵化清洗劑清洗電容器。如必須使用鹵化清洗劑，請與我們銷售部門聯系。

Do not clean capacitors with halogenated cleaning agent. However, if it is necessary to clean with halogenated cleaning agent, please contact our sales office.

②推薦清洗方法:

Recommended cleaning method

使用範圍: 任何類型及規格

Applicable: Any type, any ratings

VT系列鋁電解電容器

Aluminum Electrolytic Capacitors VT Series

清洗方法：浸泡、超聲波或其他方法的總清洗時間應在2分鐘內。清洗劑溫度應在40°C以下。清洗後，應將電容器與板一起用熱風吹至少10分鐘。熱風溫度應低於電容器工作溫度。水洗後若不充分吹幹，可能導致外觀不良，如座板發脹等。

Cleaning conditions : Total cleaning time shall be within 2 minutes by immersion, ultrasonic or other methods. Temperature of the cleaning agents shall be 40°C or below. After cleaning, capacitors should be dried by using hot air for the minimum 10 minutes along with the PC board mounted. Hot air temperature should be within the maximum operating temperature of the capacitor. Insufficient dryness after water rinse may cause appearance problems, such as bottom-plate bulge and etc.

③避免使用破壞臭氧層的清洗劑以保護環境。

Avoid using ozone destructive substances as cleaning agents for protecting global environment.

➤ C) 安裝後 In the Equipment

1) 不要直接用手接觸電容器正負極。

Do not directly touch terminal by hand.

2) 不要在正負極之間用導體連接，也不要將電容器及其附近濺撒導電液體，如酸鹼溶液等。

Do not link positive terminal and negative terminal by conductor, nor spill conductible liquid such as alkaline or acidic solution on or near the capacitor.

3) 在使用環境中應避免濺上水或油，避免陽光直射、紫外線照射、輻射、有毒氣體、振動或機械沖擊。

Please make sure that the ambient conditions where the set is installed are free from spilling water or oil, direct sunlight, ultraviolet rays, radiation, poisonous gases, vibration or mechanical shock.

➤ D) 維護和檢驗 Maintenance and Inspection

請定期檢測安裝在工業設備上的電容器。檢測項目如下：

Please periodically inspect the aluminum capacitors that are installed in industrial equipment. The following items should be checked:

外觀：明顯缺陷，如防爆閥打開、電解液泄露等。

Appearance: remarkable abnormality such as pressure relief vent opening, electrolyte leaking, etc.

電性能：電容量、損耗角正切、漏電流等，具體數據參見容仕產品目錄和相關產品規格書。

Electrical characteristics: capacitance, dielectric loss tangent, leakage current and etc., which are specified in RJ' s catalogue or alternate product specification.

➤ E) 緊急情況 In an Emergency

1) 若看見因防爆閥動作而產生的煙氣，請關閉主開關或拔開離合器。

If you see smoke due to operation of safety vent, please turn off the main switch or pull out the plug from the outlet.

2) 若吸入氣體或咽下電解液，應立即用水清洗口腔和喉嚨。

If you breathe the gas or ingest the electrolyte, please wash out your mouth and throat with water immediately.

3) 若皮膚沾上電解液，請用肥皂和水清洗乾淨。

If your skin is exposed to the electrolyte, please wash it away using soap and water.

➤ F) 儲存 Storage

1) 不要將電容器儲存在溫度和濕度高的地方。

儲存環境應為溫度：5°C-35°C，相對濕度：<75%，儲存地點：室內。

Do not keep capacitor in high temperature and high humidity atmosphere.

Storage conditions should be: Temperature: 5°C~35°C Humidity: lower than 75% Place: Indoor

2) 避免電容器的儲存環境中有水、鹽水或油。

Avoid ambient conditions where capacitors are covered with water, brine or oil.

4) 避免電容器暴露在臭氧、紫外線或輻射中。

Avoid ambient conditions where capacitors are exposed to ozone, ultraviolet ray or radiation.

➤ G) 處置 Disposal

請用下面任何一種方法處置電容器：

Please take either of the following methods in disposing capacitors.

1) 在電容器殼體上開孔或將電容器壓碎後焚燒。

Incinerate them after crushing capacitors or making a hole on the capacitor body.

2) 如不能進行焚燒，請交給廢物處理機構進行填埋。

If incineration is not applicable, hand them over to a waste disposal agent and have them buried in landfills.

X-ON Electronics

Largest Supplier of Electrical and Electronic Components

Click to view similar products for [Aluminium Electrolytic Capacitors - SMD category](#):

Click to view products by [ROQANG manufacturer](#):

Other Similar products are found below :

[EEV-FK1E332W](#) [ULV2H1R8MNL1GS](#) [MAL214099813E3](#) [CA025M4R70REB-0405](#) [HUB1800-S](#) [34610](#) [RYK-50V101MG5TT-FL](#)
[107AXZ016MQ5](#) [RVJ-50V101MH10U-R](#) [EMVH101GRA221MMN0S](#) [MAL214097402E3](#) [MAL215375471E3](#) [MAL224699909E3](#)
[MAL224699813E3](#) [MAL215099017E3](#) [MAL215099818E3](#) [AEH1010331M025R](#) [AEA1010102M016R](#) [AEH1012471M016R](#)
[MAL213967339E3](#) [ZSC00AF2211EARL](#) [VB1E100MB054000CE0](#) [RVT1000UF10V34RV0081](#) [XT100UF50V90RV0067](#)
[RVE100UF16V67RV0046](#) [XT47UF50V90RV0082](#) [XT22UF50V90RV0083](#) [RST22UF50V026](#) [RST100UF25V004](#) [RST47UF25V035](#)
[XT10UF25V90RV0068](#) [FZ100UF50V90RV0066](#) [RST100UF16V003](#) [XT100UF10V90RV0060](#) [XT100UF16V90RV0061](#)
[XT100UF35V90RV0065](#) [FZ100UF35V90RV0064](#) [XT100UF25V90RV0062](#) [XT220UF10V90RV0073](#) [XT220UF35V90RV0076](#)
[XT47UF35V90RV0081](#) [RST10UF50V016](#) [RST220UF10V018](#) [XT100UF16V90RV0074](#) [RST47UF25V036](#) [RVT10UF50V34RV0011](#)
[FZ100UF25V90RV0063](#) [LZ220UF35V90RV0077](#) [XT10UF50V90RV0071](#) [XT470UF35V90RV0080](#)