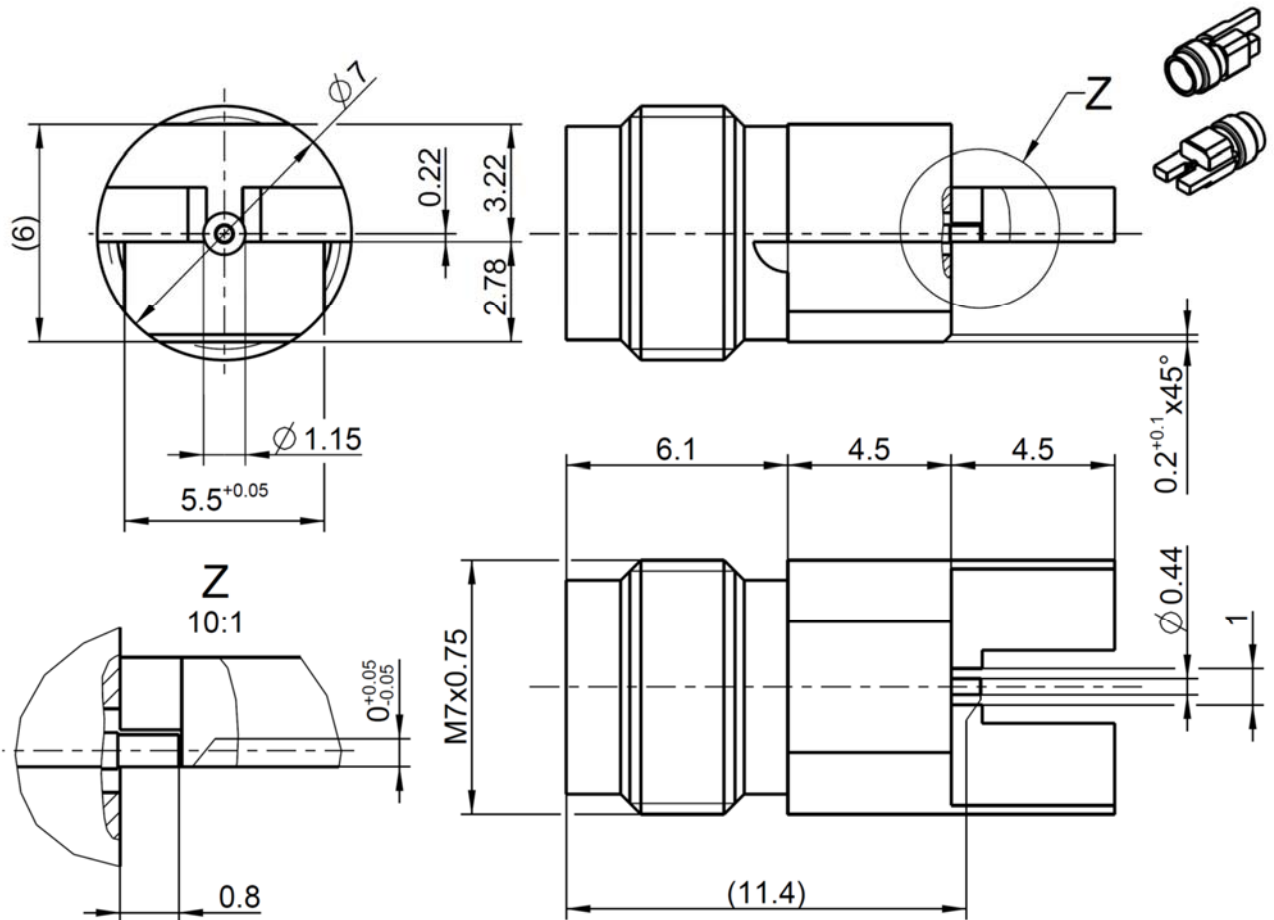


RPC-1.85 Right Angle Jack  
PCB

**08K246-40ML3**



All dimensions are in mm; tolerances according to ISO 2768 m-H

### Interface

According to  
Mechanically compatible with

IEC 61169-32  
RPC-2.40

### Documents

PCB layout

B 519

### Material and plating

#### Connector parts

Center contact  
Outer contact  
Dielectric 1  
Dielectric 2

#### Material

CuBe  
CuBe or equiv.  
PEEK  
PTFE

#### Plating

Gold, min. 1.27  $\mu\text{m}$ , over chemical nickel  
AuroDur®, gold plated

# Technical Data Sheet

# Rosenberger

RPC-1.85

Right Angle Jack  
PCB

08K246-40ML3

## Electrical data

Impedance	50 Ω
Frequency	DC to 70 GHz
Return loss	≥ 20 dB, DC to 40 GHz ≥ 14 dB, 40 GHz to 50 GHz ≥ 8 dB, 50 GHz to 70 GHz
Insertion loss	≤ 0.05 x $\sqrt{f(\text{GHz})}$ dB
Insulation resistance	≥ 5 GΩ
Center contact resistance	≤ 4.0 mΩ
Outer contact resistance	≤ 2.5 mΩ
Test voltage	500 V rms
Working voltage	150 V rms
RF-leakage	≥ 100 dB up to 1 GHz

- Connector only, VSWR in application depends decisive on PCB layout -

## Mechanical data

Mating cycles	≥ 500
Center contact captivation: axial	≥ 20 N
Coupling test torque	1.65 Nm
Recommended torque	0.80 Nm to 1.10 Nm

## Environmental data

Temperature range	-55°C to +125°C
Thermal shock	IEC 61169-1, Subclause 9.4.4
Corrosion	IEC 61169-1, Subclause 9.4.6
Vibration	IEC 61169-1, Subclause 9.3.3
Shock	IEC 61169-1, Subclause 9.3.14
Moisture resistance	IEC 61169-1, Subclause 9.4.3
Max. soldering temperature	IEC 61760-1, +260°C for 10 sec.
RoHS	compliant

## Tooling

N/A

## Suitable cables

N/A

## Weight

2.7 g/pce

While the information has been carefully compiled to the best of our knowledge, nothing is intended as representation or warranty on our part and no statement herein shall be construed as recommendation to infringe existing patents. In the effort to improve our products, we reserve the right to make changes judged to be necessary.

Draft	Date	Approved	Date	Rev.	Engineering change number	Name	Date
Martin Moder	10.03.15	S.Andorfe	12.06.18	c00	18-0950	M.Ruf	12.06.18

Rosenberger Hochfrequenztechnik GmbH & Co. KG  
P.O.Box 1260 D-84526 Tittmoning Germany  
[www.rosenberger.de](http://www.rosenberger.de)

Tel. : +49 8684 18-0  
Email : [info@rosenberger.de](mailto:info@rosenberger.de)

Page  
2 / 2

## X-ON Electronics

Largest Supplier of Electrical and Electronic Components

*Click to view similar products for [RF Connector Accessories](#) category:*

*Click to view products by [Rosenberger](#) manufacturer:*

Other Similar products are found below :

[89674-0712](#) [F702RX24](#) [FERRULE-174](#) [R141802000](#) [R141805000](#) [R141842000](#) [R161862000](#) [R161862000W](#) [R280752000](#) [R280907000](#)  
[R694261906](#) [RFI21-13](#) [RFI75-13-D2](#) [RFI75-4-D2](#) [AX102906](#) [AX102907](#) [18097-0013](#) [HP-375](#) [HP-500](#) [2098-0294-00](#) [2098-3251-94](#) [KA-](#)  
[81-05](#) [89674-0805](#) [F1](#) [FERRULE-223](#) [202102-11](#) [213337-1](#) [220222-2](#) [24092671A](#) [24092678A](#) [R280468000](#) [R280510000](#) [R282862060](#)  
[RFI155-1](#) [RFI25-12-D3](#) [RFI25-5](#) [RFI25-5-D3](#) [RFI75-12-D2](#) [RFI75-2-D2](#) [RFI75-4-D3](#) [RFI77-6](#) [360HS001M2508M6](#) [4-1532137-4](#) [5-21085-](#)  
[0](#) [105274-1000](#) [111062-0490](#) [112122-SOD-LUG](#) [112-NUT-KNURL](#) [IPP-2014](#) [R280490020](#)