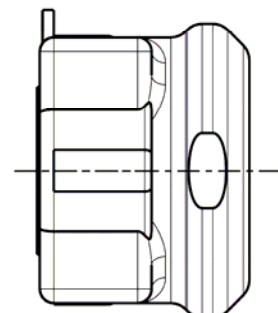
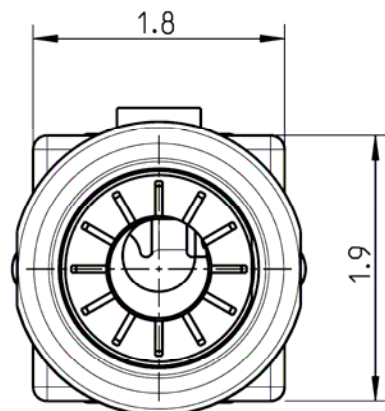
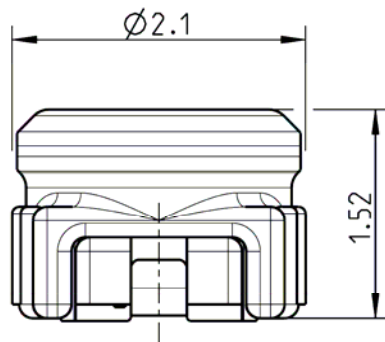
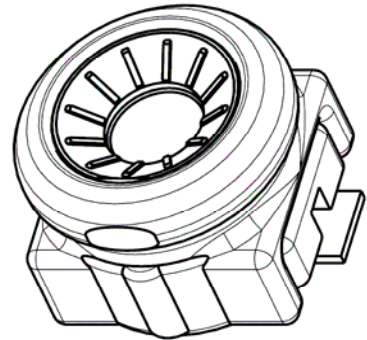
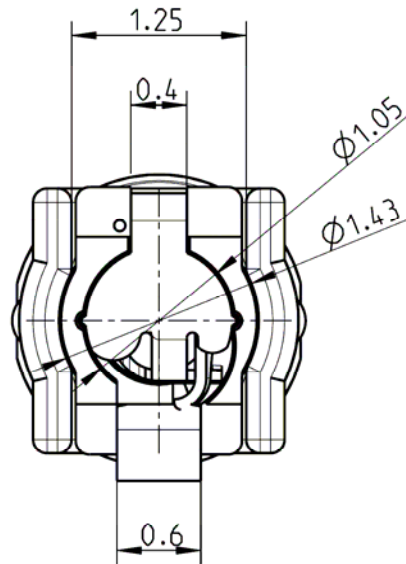


●
1:1



All dimensions are in mm; tolerances according to ISO 2768 m-H

Material and plating

Connector parts

Housing
Switching spring
Stationary spring
Spring carrier

Material

Die cast
CuBe
CuZn
Thermoplastic

Plating

0.5 µm Au over 1-3 µm Ni
0.5 µm Au over 1-3 µm Ni
0.15 µm Au over 1-3 µm Ni

Electrical data

Impedance 50 Ohm
Frequency DC to 6 GHz
Return loss ≤ -26 dB, DC to 2 GHz
≤ -22 dB, 2 to 4 GHz
≤ -16 dB, 4 to 6 GHz
Insulation resistance ≥ 500 MOhm
Contact resistance ≤ 100 mOhm
Rated power 3.2 W
Working voltage 4 V

Mechanical data

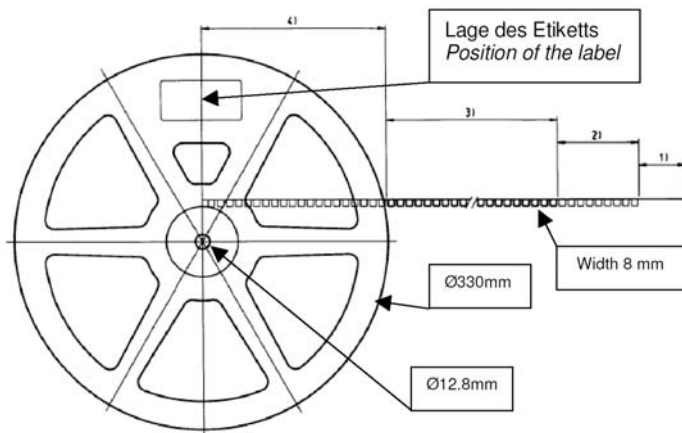
Mating cycles min. 100
Mating force ≤ 4 N
Unmating force ≥ 2 N
Dimensional size 1.9 mm x 1.8 mm x 1.5 mm

Environmental data

Temperature range -40°C to +90°C
Storage temperature -55°C to +100°C
2002/95/EC (RoHS) compliant

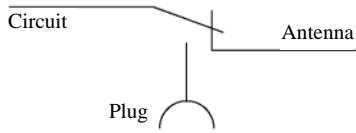
Packing

Standard 9,000 pcs on each reel
Labelling According to Rosenberger standard
Weight 0.05 g/pce

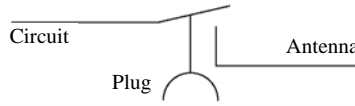


Switching symbol

Not mated with the plug



Mated with the plug



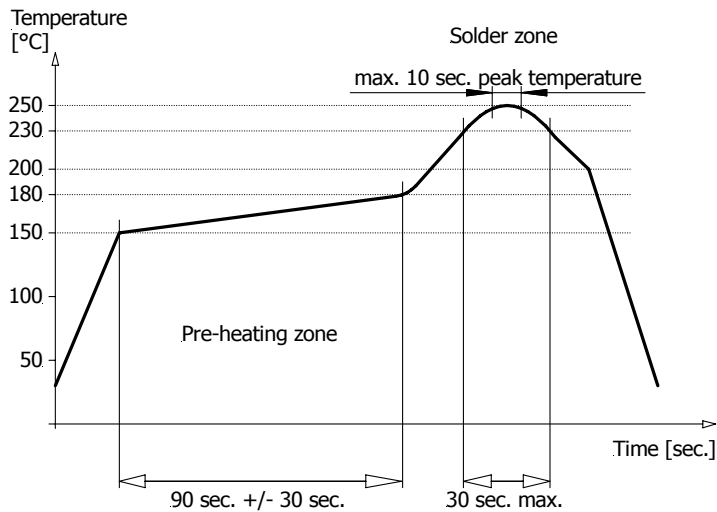
Soldering process

1. Lead free solder process

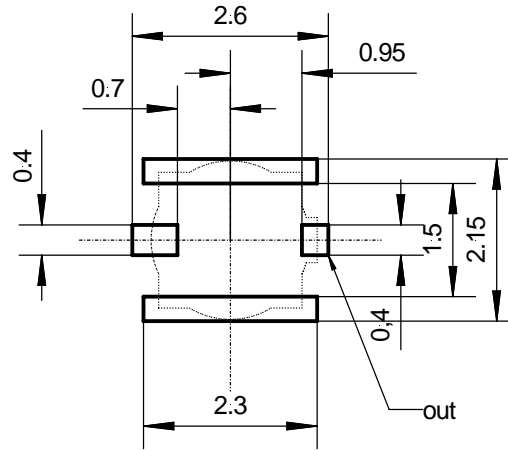
Recommended solder paste

SENJU M705-GRN360-K1 V

The component has to withstand 2 times the solder process



Solder paste mask



Thickness of solder mask 120µm

While the information has been carefully compiled to the best of our knowledge, nothing is intended as representation or warranty on our part and no statement herein shall be construed as recommendation to infringe existing patents. In the effort to improve our products, we reserve the right to make changes judged to be necessary.

Draft	Date	Revision	Engineering change number	Name	Date
Folke Michelmann	05/04/07	904	07-0257	Schichl Markus	04/04/07

X-ON Electronics

Largest Supplier of Electrical and Electronic Components

Click to view similar products for [RF Connectors / Coaxial Connectors](#) category:

Click to view products by [Rosenberger](#) manufacturer:

Other Similar products are found below :

[8915-1511-000](#) [89674-0827](#) [6001-7071-019](#) [6002-7051-003](#) [6002-7551-202](#) [6059674-1](#) [619550-1](#) [630059-000](#) [M39030/3-01N](#) [6500-7071-046](#) [6769](#) [CX050L2AQ](#) [7002-1541-010](#) [7002-1542-011](#) [7004-1512-000](#) [7009-1511-004](#) [7010-1511-000](#) [7029-1511-060](#) [7101-1541-010](#) [7101-1571-002](#) [7145-1521-002](#) [7203-1571-003](#) [7209-1511-011](#) [7210-1511-015](#) [7210-1511-019](#) [73137-5015](#) [73216-2241](#) [73404-2300](#) [7405-1521-005](#) [7405-1521-802](#) [8527](#) [8547](#) [FS11V](#) [877931](#) [8808-1511-001](#) [9049-9513-000](#) [9074-9513-000](#) [9101-9573-002](#) [910A205F](#) [9130-9573-002](#) [PL11SC-026](#) [PL375-33](#) [PL40-5](#) [PL74C-221](#) [PL75MC-217](#) [PL803-7](#) [980-8666-005](#) [1200690078](#) [1-201144-1](#) [R107003010W](#)