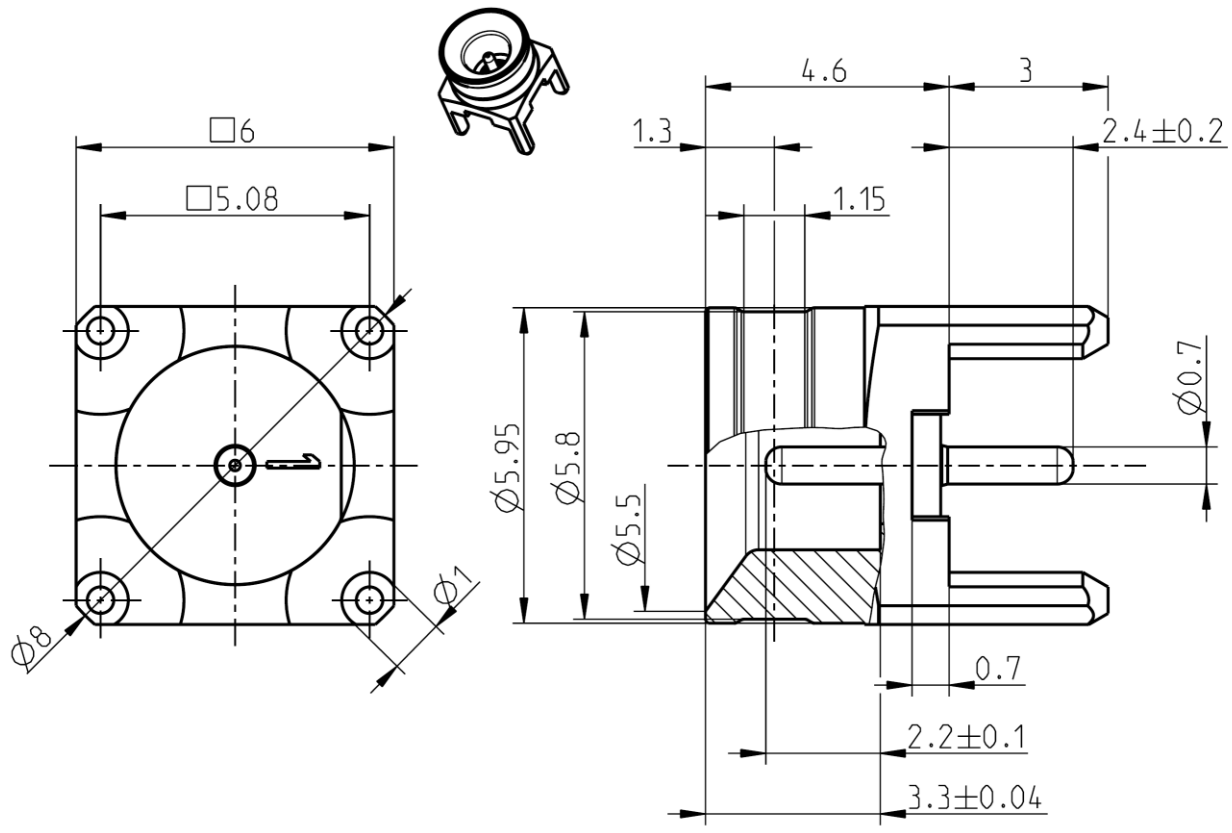


Longwipe-SMP

Straight Plug PCB Catchers mitt

**17S14D-400L5**



All dimensions are in mm; tolerances acc. ISO 2768 m-H

**Interface**

According to Rosenberger Longwipe SMP 17S/K000-000

**Documents**

PCB layout B 30  
Tape & reel packaging VG139.60000

**Material and plating**

**Connector parts**

Center contact  
Outer contact  
Dielectric

**Material**

Brass  
Brass  
PEEK

**Plating**

AuroDur®, gold plated  
AuroDur®, gold plated

Dieses Dokument ist urheberrechtlich geschützt • This document is protected by copyright • Rosenberger Hochfrequenztechnik GmbH & Co. KG

RF\_35/08.13/6.1

Longwipe-SMP

Straight Plug PCB Catchers mitt

**17S14D-400L5**

**Electrical data**

Impedance	50 Ω
Frequency	DC to 6 GHz
Return loss	≥ 28 dB @ DC to 3 GHz ≥ 23 dB @ 3 GHz to 6 GHz
Insertion loss	≤ 0.05 x √f [GHz] dB
Insulation resistance	≥ 5 GΩ
Center contact resistance	≤ 6 mΩ
Outer contact resistance	≤ 2 mΩ
Test voltage (at sea level)	500 V rms
Working voltage (at sea level)	335 V rms
Contact Current	≤ 1.2A DC

- Connector only, Return loss in application depends decisive on PCB layout –

**Mechanical data**

Mating cycles	
if mating part is Smooth bore, Catchers mitt	≥ 1000
Center contact captivation	≥ 7 N
Engagement force	
- Smooth bore, Catchers mitt	≤ 9 N
Disengagement force	
- Smooth bore, Catchers mitt	≥ 2.2 N

**Environmental data**

Temperature range	-65 °C to +155 °C
Rapid change of temperature (related to SMP)	IEC 60068-2-14 (-65°C to 155°C, 1h dwell, 50 cycles)
Vibration (related to SMP)	MIL-STD-202, Method 204, Condition B
Shock (related to SMP)	MIL-STD-202, Method 213, Condition A
Damp heat (related to SMP)	IEC 60068-2-78 (40°C, 93% RH, 56d)
High temperature endurance	IEC 60169-1, Sub-clause 18 (+155°C, 250 hours)
Max. soldering temperature	IEC 61760-1, +260 °C for 10 sec.
RoHS	compliant

**Tooling**

N/A

**Suitable cables**

N/A

**Weight**

Weight 0.85 g/pce

While the information has been carefully compiled to the best of our knowledge, nothing is intended as representation or warranty on our part and no statement herein shall be construed as recommendation to infringe existing patents. In the effort to improve our products, we reserve the right to make changes judged to be necessary.

For the installation of the electrotechnical equipment, particular electrotechnical expertise is required.



Dieses Dokument ist urheberrechtlich geschützt • This document is protected by copyright • Rosenberger Hochfrequenztechnik GmbH & Co. KG

RF\_35/08.13/6.1

Draft	Date	Approved	Date	Rev.	Engineering change number	Name	Date
S. Mühlbacher	17.04.14	Chr. Janßen	14.10.20	d00	20-1927	S. Huber-Siegl	14.10.20

Rosenberger Hochfrequenztechnik GmbH & Co. KG P.O.Box 1260 D-84526 Tittmoning Germany <a href="http://www.rosenberger.de">www.rosenberger.de</a>				Tel. : +49 8684 18-0 Email : <a href="mailto:info@rosenberger.de">info@rosenberger.de</a>		Page 2 / 2
--	--	--	--	--	--	---------------

## X-ON Electronics

Largest Supplier of Electrical and Electronic Components

*Click to view similar products for [RF Connectors / Coaxial Connectors](#) category:*

*Click to view products by [Rosenberger](#) manufacturer:*

Other Similar products are found below :

[8915-1511-000](#) [89674-0827](#) [6001-7071-019](#) [6002-7051-003](#) [6002-7551-202](#) [6059674-1](#) [619550-1](#) [630059-000](#) [M39030/3-01N](#) [6500-7071-046](#) [6769](#) [CX050L2AQ](#) [7002-1541-010](#) [7002-1542-011](#) [7004-1512-000](#) [7009-1511-004](#) [7010-1511-000](#) [7029-1511-060](#) [7101-1541-010](#) [7101-1571-002](#) [7145-1521-002](#) [7203-1571-003](#) [7209-1511-011](#) [7210-1511-015](#) [7210-1511-019](#) [73137-5015](#) [73216-2241](#) [73404-2300](#) [7405-1521-005](#) [7405-1521-802](#) [8527](#) [8547](#) [FS11V](#) [877931](#) [9049-9513-000](#) [9074-9513-000](#) [9101-9573-002](#) [910A205F](#) [9130-9573-002](#) [PL11SC-026](#) [PL375-33](#) [PL40-5](#) [PL74C-221](#) [PL75MC-217](#) [PL803-7](#) [980-8666-005](#) [1200690078](#) [1-201144-1](#) [R107003010W](#) [R110A172100](#)