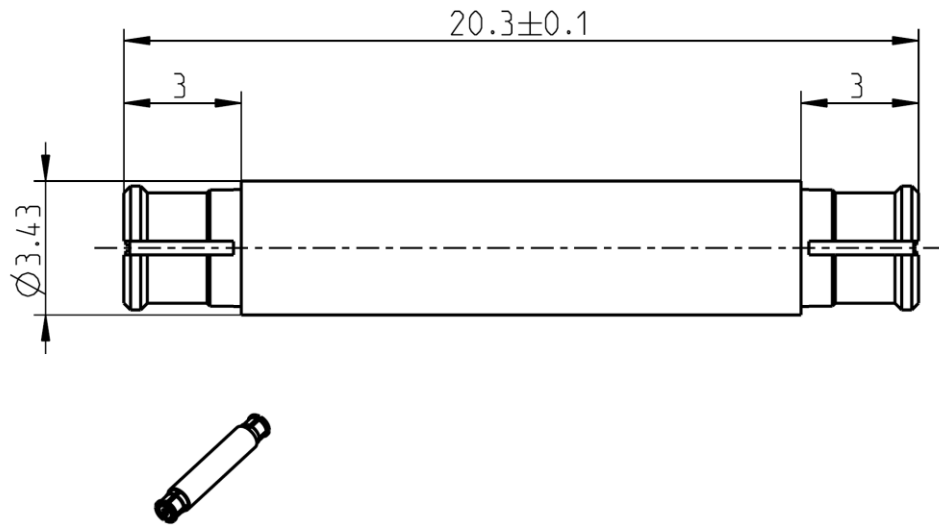


SMP

Adaptor
Jack - Jack

19K119-K00L5



All dimensions are in mm; tolerances according to ISO 2768 m-H

Interface

According to MIL-STD-348

Documents

N/A

Material and plating

Connector parts

Center contact
Outer contact
Dielectric

Material

CuBe
CuBe
PTFE

Plating

AuroDur®, gold plated
AuroDur®, gold plated

Dieses Dokument ist urheberrechtlich geschützt • This document is protected by copyright • Rosenberger Hochfrequenztechnik GmbH & Co. KG

RF_35/09.14/6.2

Electrical data

Impedance	50 Ω
Frequency	DC to 26.5 GHz
Return loss	≥ 27 dB @ DC to 3 GHz ≥ 18 dB @ 3 GHz to 18 GHz
Insertion loss	≤ 0.1 x √f [GHz] dB @ DC to 18 GHz
Insulation resistance	≥ 5 GΩ
Center contact resistance	≤ 6 mΩ
Outer contact resistance	≤ 2 mΩ
Test voltage (at sea level)	500 V rms
Working voltage (at sea level)	335 V rms
Contact Current	≤ 1.2A DC

Mechanical data

Mating cycles	
if mating part is Smooth bore, Catcher's Mitt	≥ 1000
if mating part is Limited detent	≥ 500
if mating part is Full detent	≥ 100
Center contact captivation	≥ 7 N
Engagement force	
- Smooth bore, Catcher's Mitt	≤ 9 N
- Limited detent	≤ 45 N
- Full detent	≤ 68 N
Disengagement force	
- Smooth bore, Catcher's Mitt	≥ 2.2 N
- Limited detent	≥ 9 N
- Full detent	≥ 22 N

Environmental data

Temperature range	-65 °C to +155 °C
Rapid change of temperature	IEC 60068-2-14 (-65 °C to 155 °C, 1h dwell, 50 cycles)
Vibration	MIL-STD-202, Method 204, Condition B
Shock	MIL-STD-202, Method 213, Condition A
Damp heat	IEC 60068-2-78 (40°C, 93% RH, 56d)
High temperature endurance	IEC 61169-1, Sub-clause 9.6 (+155 °C, 1000 hours)
RoHS	compliant

Tooling

N/A

Suitable cables

N/A

Weight

Weight 0.9 g/pce

While the information has been carefully compiled to the best of our knowledge, nothing is intended as representation or warranty on our part and no statement herein shall be construed as recommendation to infringe existing patents. In the effort to improve our products, we reserve the right to make changes judged to be necessary.

For the installation of the electrotechnical equipment, particular electrotechnical expertise is required.



Dieses Dokument ist urheberrechtlich geschützt • This document is protected by copyright • Rosenberger Hochfrequenztechnik GmbH & Co. KG

RF_35/09.14/6.2

Draft	Date	Approved	Date	Rev.	Engineering change number	Name	Date
B. Aicher	11.11.13	Chr. Janßen	26.10.20	d00	20-1927	S. Huber-Siegl	26.10.20

Rosenberger Hochfrequenztechnik GmbH & Co. KG P.O.Box 1260 D-84526 Tittmoning Germany www.rosenberger.de				Tel. : +49 8684 18-0 Email : info@rosenberger.de		Page 2 / 2	
--	--	--	--	--	--	---------------	--

X-ON Electronics

Largest Supplier of Electrical and Electronic Components

Click to view similar products for [RF Adapters - In Series](#) category:

Click to view products by [Rosenberger](#) manufacturer:

Other Similar products are found below :

[5916-1103-603](#) [5919-1503-000](#) [651A505](#) [82-5552](#) [9030-9523-502](#) [PN2C](#) [A0407000](#) [R114703000W](#) [R125771001](#) [R141710000W](#)
[R141723161](#) [R141730000](#) [R143730700](#) [R143770000](#) [R161703000W](#) [R161753000W](#) [R161791530W](#) [R201705000](#) [R222705200](#)
[R222M40010W](#) [R223703180](#) [R316754000](#) [R405006000](#) [R443162000](#) [AD78TL](#) [HRM-513S](#) [1996352-2](#) [2157155-1](#) [252169-75](#) [AD158](#)
[2101130-1](#) [252186](#) [R114704000W](#) [R114720000W](#) [R125705001](#) [R125705701](#) [R125771000](#) [R125771001W](#) [R127704001](#) [R127.870.001](#)
[R127872001](#) [R141717000](#) [R142710000](#) [R142723000](#) [R143703000](#) [R143704000](#) [R143705700](#) [R161715000W](#) [R161771000W](#) [R176754000](#)